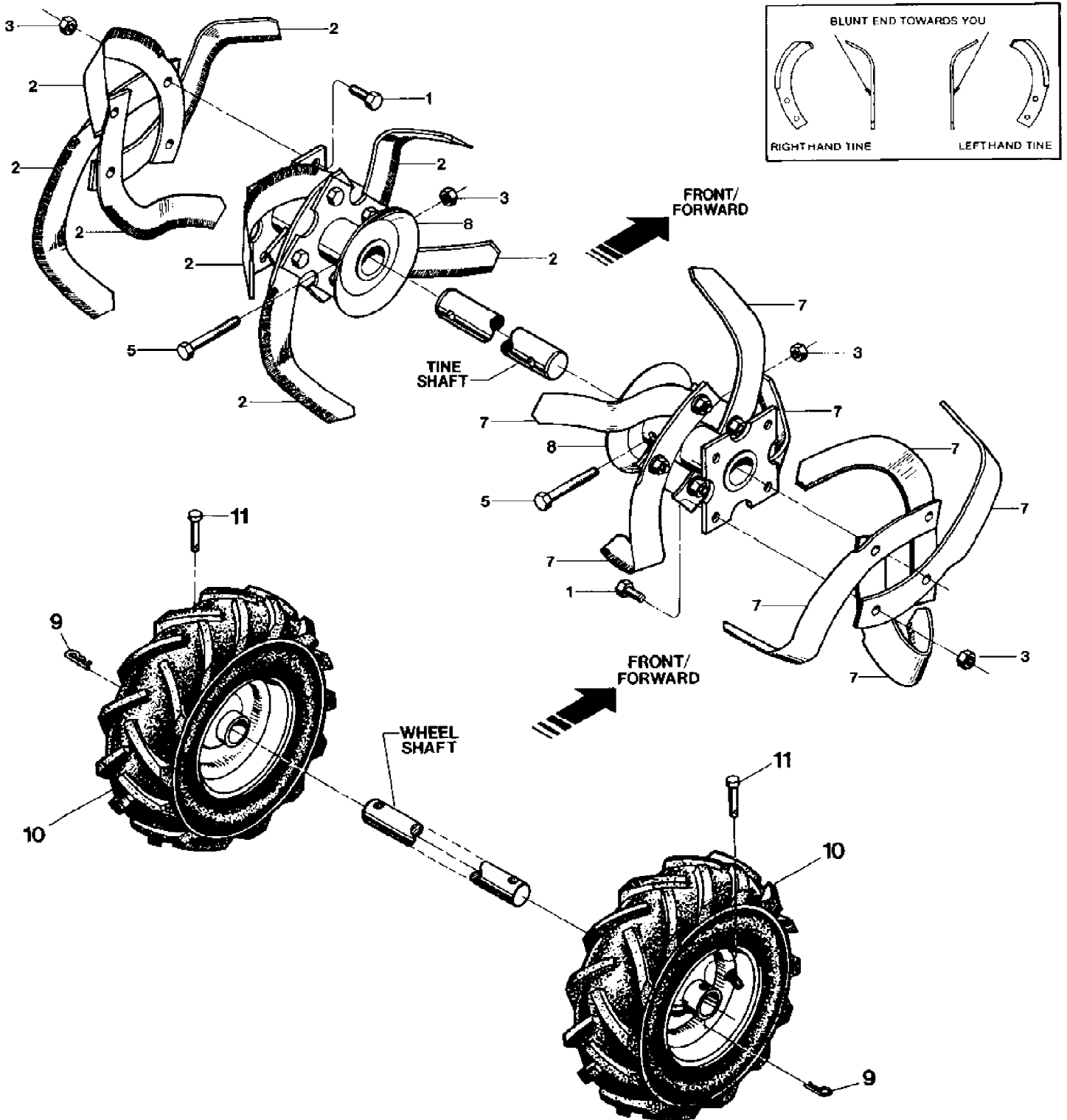


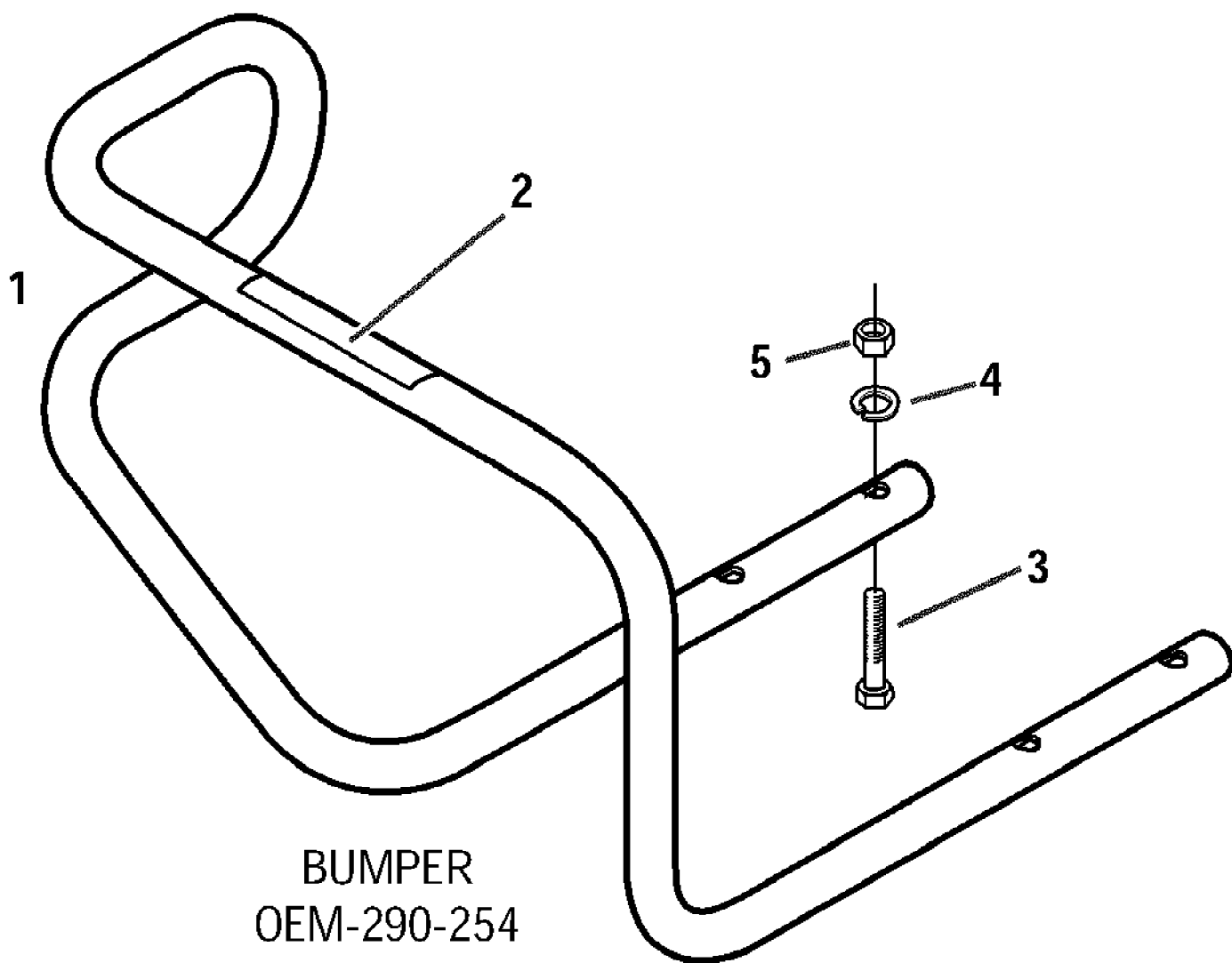
21A-664D766 7HP Roto-Tiller (2004)  
Bolo Tines, Wheels



21A-664D766 7HP Roto-Tiller (2004)  
Bolo Tines, Wheels

Page 2 of 19

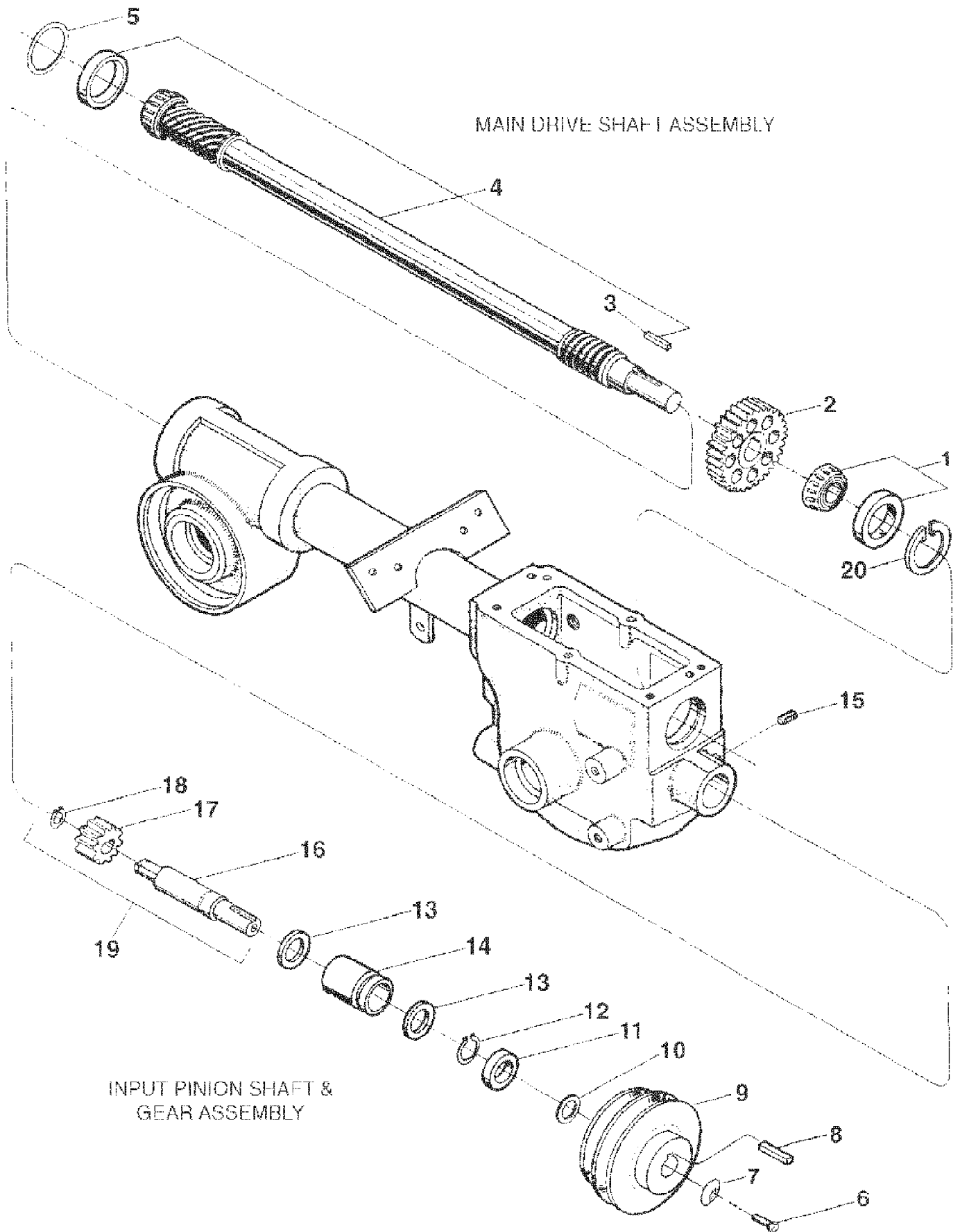
Ref #	Part Number	Qty	S/P/F	Description
1	710-0514	16	/P	Hex Hd. Screw, 3/8-16 x 1 GRADE 5
2	742-04119-0637	8	/P	Bolo Tine-single. Left
3	712-3000	18	S	Hex Locknut, 3/8-16
5	710-3096	2	/P	Hex Hd. Screw, 3/8-16 x 2, Grade 8
7	742-04118-0637	8	/P	Bolo Tine-single. Right
8	1902154	2	S	Tine Holder. For left and right sides
9	GW-9338	2	S	Hitch Pin
10	1917487	2	S	Wheel and Tire Assembly
11	GW-9380	2	S	Clevis Pin, .312 x 1-3/
	1901118	1	S	Bolo Tine Replacement Set (Incl. eight ea. right hand and left hand tines, and sixteen ea. Refs. 1 and 3)
	GW-2475-1	8	S	Custom Tilling Bolo Tine, Left hand tine (see Note)
	GW-2475-2	8	S	Custom Tilling Bolo Tine, Right hand tine (see Note)
	GW-10802	1	/P	Custom Tilling Bolo Tine Replacement Set



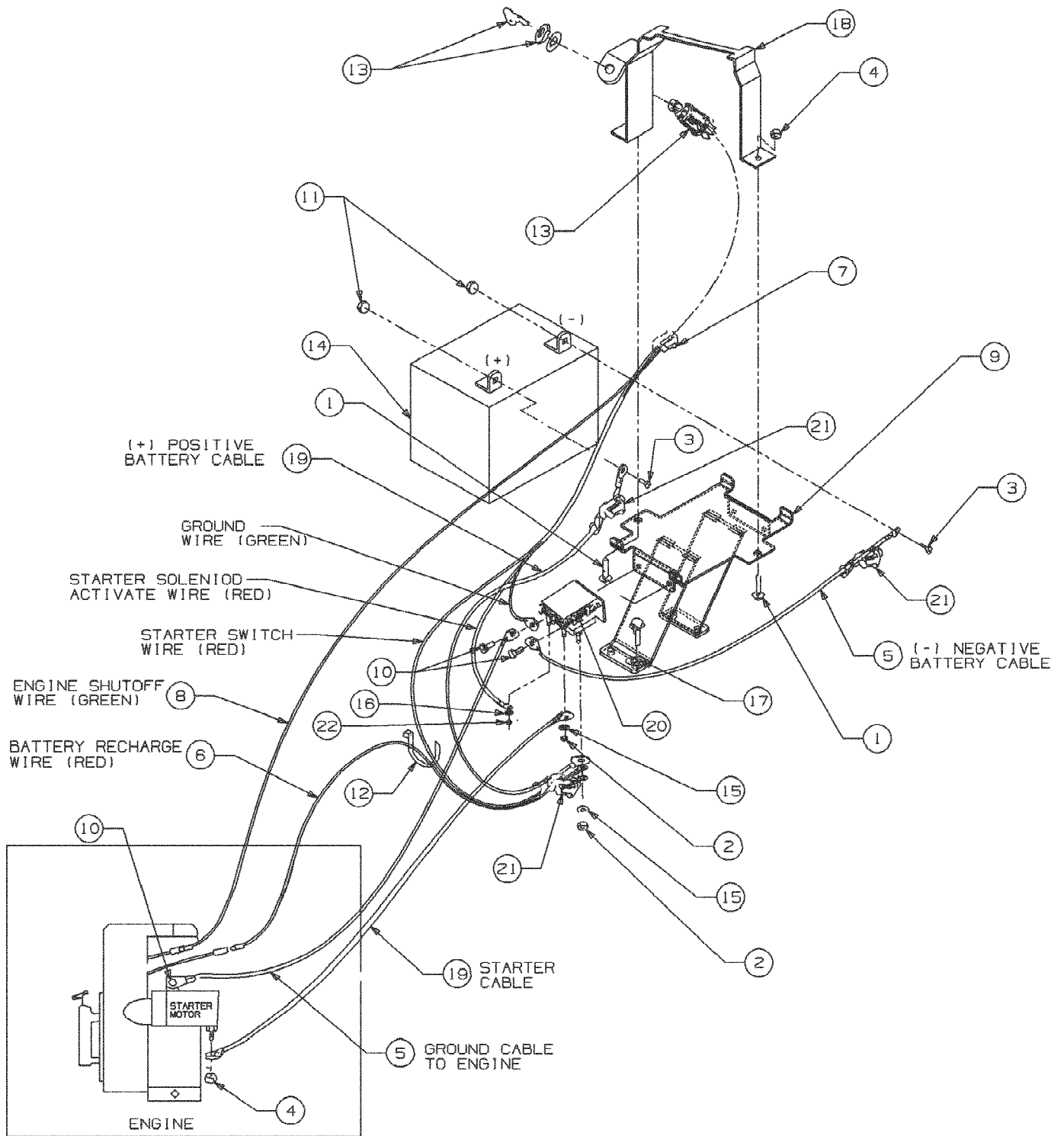
21A-664D766 7HP Roto-Tiller (2004)  
Bumper Attachment

Page 4 of 19

Ref #	Part Number	Qty	S/P/F	Description
OEM-290-254	OEM-290-254	1		Bumper
1	1918749	1		Bumper
2	777S30653	1		Decal - Caution
3	710-0395	4	/P	Screw-hex hd., 5/16-18 x 2-1/4 (Included in hardware kit); Specify GRADE 5 if ordering part locally.
4	736-0119	4	S	Lockwasher-5/16 (Included in hardware kit); Specify GRADE 5 if ordering part locally.
5	712-0267	4	S	Nut-hex, 5/16-18 (Included in hardware kit); Specify GRADE 5 if ordering part locally.
	1918781	1		Hardware Kit Incl. four each of Refs. 3, 4 and 5



Ref #	Part Number	Qty	S/P/F	Description
		1		MAIN DRIVE SHAFT
1	GW-1714	1	S	Bearing, Tapered Roller With Race
2	GW-20718	1	S	Spur Gear
3	GW-9301	1	S	Key, 3/16 sq. x 1
4	GW-20912	1	F	Main Drive Shaft
5	GW-1224-1	A/R	S/F	Shim, Rear Bearing Cap, .010" thick A/R - As Required
5	GW-1224-2	A/R	S/F	Shim, same as above, but .030" thick A/R - As Required
5	GW-1224-3	A/R	S/F	Shim, same as above, but .005" thick A/R - As Required
	GW-1325C	A/R	/P	Shim Set A/R - As Required; (Incl. two GW-1224-1; two 1224-2 and one GW-1224-3)
6	GW-9572	1	S	INPUT PINION SHAFT & GEAR ASSEMBLY
		1	S	Hex Hd. Screw, 5/16-24 x 1-1/8 Specify GRADE 5 if ordering part locally.
7	GW-9944	1	S	Washer, Disc Spring (concave surface faces pulley)
8	1108841	1	S	Key, 3/16 sq. x 1-1/2
9	1916522	1	S	Transmission Drive Pulley
10	GW-1440	1	S	Support Washer
11	721-04044	1	S	Oil Seal, Input Pinion Shaft
12	1113527	1	S	Retaining Ring (external)
13	GW-9953	2	/P	Thrust Washer
14	GW-9428	1	/P	Bushing
15	GW-9677	1	/P	Set Screw, 5/16-18 x 3/8 Specify GRADE 5 if ordering part locally.
16	GW-20791	1	/P	Input Pinion (steel shaft)
17	GW-20792	1	S	Input Pinion Gear
18	GW-9093	1	/P	Retaining Ring (external) I
19	GW-20799	A/R	/P	Pinion Assy. A/R - As Required; (Incl. one each Refs. 16, 17 and 18)
20	GW-9517	1	S	Retaining Ring (internal)



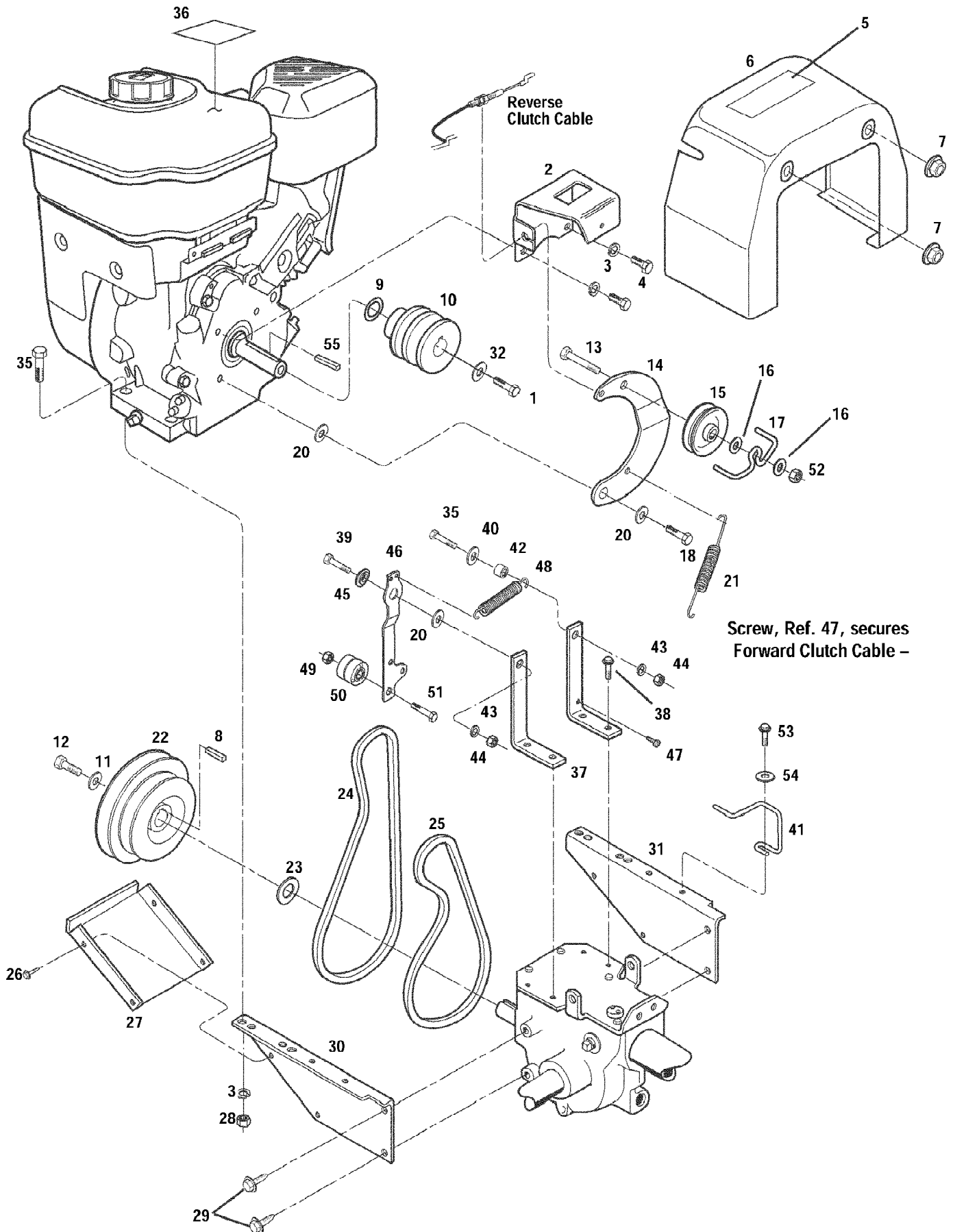
21A-664D766 7HP Roto-Tiller (2004)  
Electric Start Assembly

Page 8 of 19

Ref #	Part Number	Qty	S/P/F	Description
1	1186073	2	/P	Carriage Screw, 1/4-20 x 1.25
2	1186211	2	/P	Hex Nut, 5/16-24
3	1186390	2		Flange Screw, 1/4-20 x .625
4	1186389	2	/P	Hex Locknut, 1/4-20
5	1901202	2	/P	Cable (ground wire to starter motor bracket)
6	1901894	1	/P	Recharge Wire Assembly
7	1908118	1	S	Wire Harness Assy. (Available as complete assembly only). Incl. wire assy. w/connector to large solenoid stud (red wire); wire assy. w/connector to small solenoid stud (red wire); wire assy. w/connector to solenoid grounding screw (red wire); wire assy w/connector to engine ground shut-off (green wire); plastic protector tube; wire terminal
8	1917262	1	/P	Ground Wire Assy. (shut off)
9	686-04024	1	S	Battery Bracket Assembly, Pony
10	710-0599	3	/P	Self-tapping Screw, 1/4-20 x .5
11	712-3006	2	/P	Hex Nut, 1/4-20
12	725-0157	1	/P	Cable Tie
13	725-0267	1	S	Ignition Switch
14	725-1706	1	S	Battery, 270 CCA
15	736-0119	2	S	Lock Washer 5/16
16	736-0147	1	S	Lock Washer, #10
17	736-0607	2	/P	External Lock Washer, 5/16
18	GW-2614	1	S	Keyswitch Clamp
19	96510	1	S	Cable (solenoid to starter motor)
20	96514	1	S	Solenoid (Incl. nuts and washers for cables and wires)
21	97020	2	S	Boot, Insulating
22	9853	1	S	Hex Locknut, #10-32
	777S30648	1	/P	Label, Ignition Switch



21A-664D766 7HP Roto-Tiller (2004)  
Engine, Support Brackets, Pulleys, Belts, Belt Cover



21A-664D766 7HP Roto-Tiller (2004)  
Engine, Support Brackets, Pulleys, Belts, Belt Cover

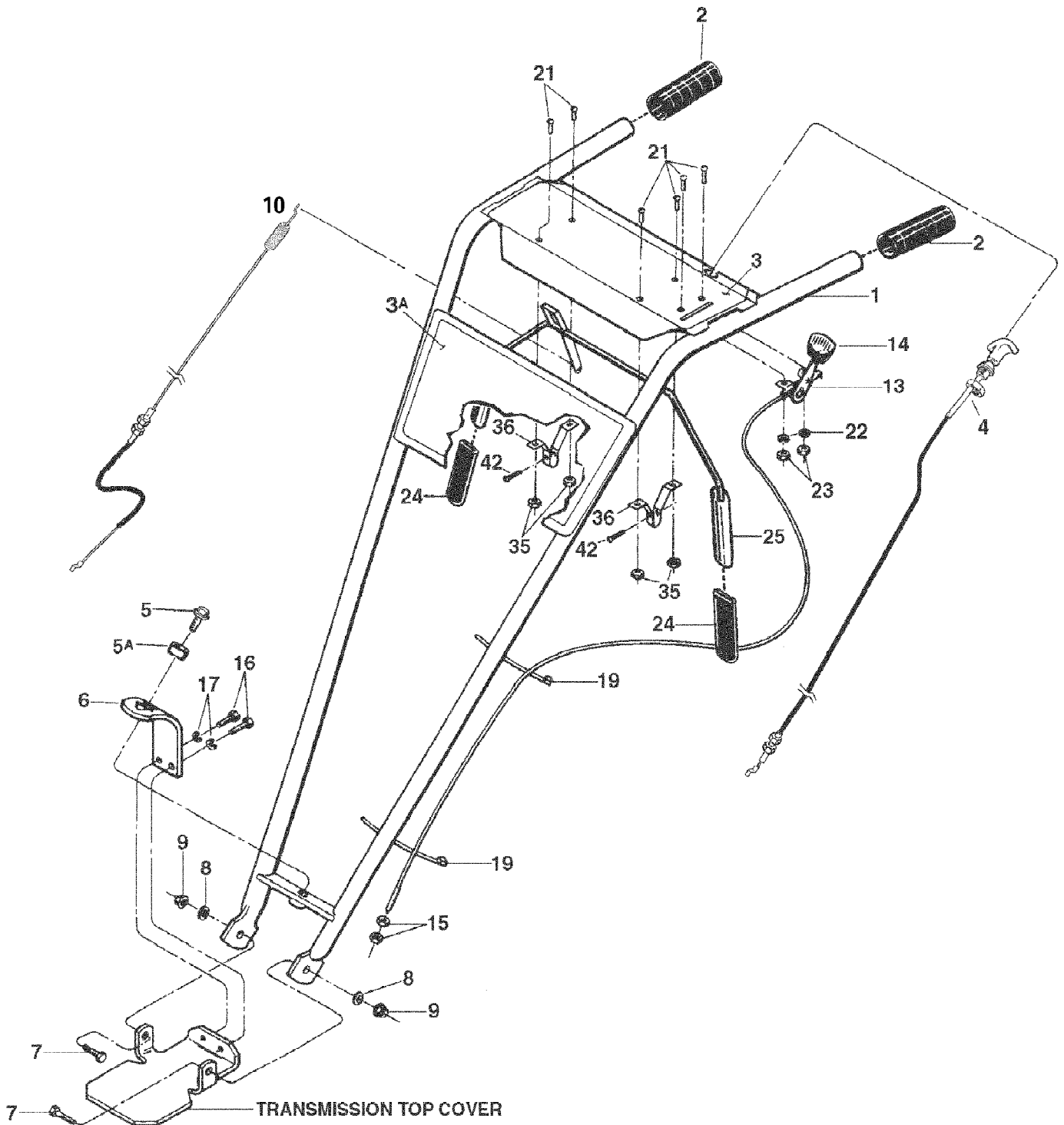
Page 10 of 19

Ref #	Part Number	Qty	S/P/F	Description
1	710-0539	1	/P	Screw, 3/8-24 x 1.75
2	1917326	1	S	Bracket, Clutch Cable
3	736-0119	6	S	Lockwasher-5/16
4	710-0107	2	/P	Hex Hd. Screw, 5/16-24 x 1/2
5	777S30651	1		Decal, Hot Surfaces/Belt Warning
6	1916659	1	S	Cover
7	712-3004A	2	/P	Flange Lock Nut, 5/16-18
8	1108841	1	S	Key, 3/16 x 1-1/2
9	GW-1138-1	1	S	Shim
10	619-04015	1	S	Pulley, Engine Drive
11	GW-9944	2	S	Belleville Washer
12	GW-9572	1	S	Hex Hd. Screw, 5/16-24 x 1-1/8
13	710-3103	1	/P	Hex Hd. Screw, 5/16-18 x 2
14	1918731	1	S	Reverse Idler Arm
15	1916535	1	/P	Pulley, Reverse Idler
16	736-0159	2	S	Flat Washer, 5/16
17	1916725	1	S	Belt Guide, Wire Formed
18	710-0117	1	S	Hex Head Screw, 5/16-24 x 1
19	1917746	1	S	Washer, Shoulder
20	736-3078	3	/P	Washer, Flat, 1-1/8
21	1916728	1	S	Spring, Reverse Return
22	1916522	1	S	Transmission Pulley
23	GW-1440	1	S	Support Washer
24	1918812	1	/P	Reverse Clutch Belt
25	1909404	1	/P	Forward Clutch Belt
26	1900396	4	/P	Self-tapping Screw, #10-32 x 1/2,
27	GW-20339	1	S	Guard, Belts/Pulleys
28	712-0267	4	S	Hex Nut, 5/16-18
29	1186329	4	S	Hex Flange Screw, 5/16-18 x 3/4 Specify GRADE 5 if ordering part locally.
30	1916797	1	S	Engine Support Bracket, left side
31	1916796	1	S	Engine Support Bracket, right side
32	736-0452	1	S	Bell Washer
35	710-0395	5	/P	Hex Hd. Screw, 5/16-18 x 2-1/4
36	777I20942	1		Decal, Stabilization
37	1918774	2	S	Mounting Bar
38	GW-90063	4	/P	Hex Flange Screw, 5/16-18 x 1
39	710-0805	1	/P	Hex Hd. Screw, 5/16-18 x 1-1/2 Specify GRADE 5 if ordering part locally.
40	736-0275	1	S	Flat Washer, 5/16'
41	1918846	2	S	Belt Guide, Pony
42	GW-55088	2	/P	Pivot Bushing
43	736-0119	2	S	Lockwasher, 5/16
44	712-3010	2	S	Hex Nut, 5/16-18
45	1917746	2	S	Washer, Shoulder
46	1918744	1	S	Idler Arm, Forward Tiller Direction
47	1767754	1	/P	Screw, self tapping, #10-24 Secures Forward Clutch Cable, Ref. to Handlebar.
48	1916727	1	/P	Spring
49	712-3000	1	S	Hex Locknut, 5/16-18
50	GW-9090	1	S	Idler Pulley, Forward
51	710-0347	1	/P	Screw, 3/8-16 x 1-3/4

21A-664D766 7HP Roto-Tiller (2004)  
Engine, Support Brackets, Pulleys, Belts, Belt Cover

Page 11 of 19

Ref #	Part Number	Qty	S/P/F	Description
52	712-0158	1	S	Hex Lock Nut, 5/16-18
53	1754128	1	/P	Screw, 1/4-20 x 3/4
54	736-0463	1	S	Flat Washer-1/4
55	714-04029	1	S	Key, .188 x 1.75

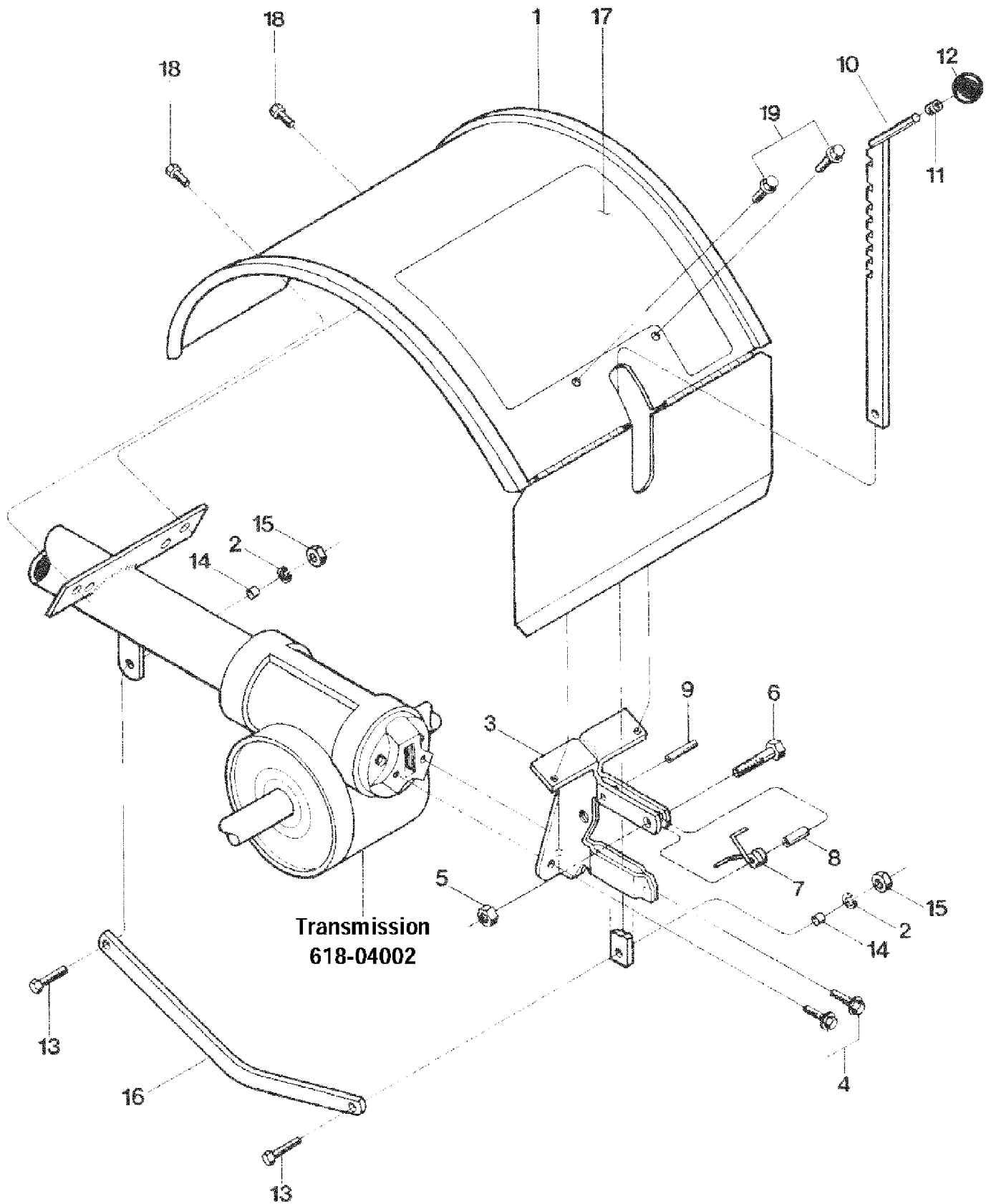


21A-664D766 7HP Roto-Tiller (2004)  
Handlebar Assembly And Control Levers

Page 13 of 19

Ref #	Part Number	Qty	S/P/F	Description
1	1918801	1	S	Handlebars
2	GW-9126	2	S	Grip
3	777I22088	1	S	Decal, Control Panel
3A	777D05553	1		Decal, Model Name/Logo
4	1916784	1	S	Reverse Clutch Control Cable
5	1186347	1	S	Height Adjustment Screw
5A	GW-9955	1	S	Washer, Keyed
6	1900475	1	S	Bracket, Handlebar Height Adjustment
7	710-0514	2	/P	Hex Hd. Screw, 3/8-16 x 1 Specify GRADE 5 if ordering part locally.
8	736-3050	2	/P	Washer, Plain (flat) 3/8, S.A.E.
9	712-3000	2	S	Hex Locknut, 3/8-16
10	746-04027	1	S	Cable, Forward Clutch Control
13	GW-9442	1	S	Wheel Gear Control and Cable Assy
14	GW-9057	1	/P	Knob, Wheel Gear Control Lever
15	1186211	2	/P	Hex Nut, 5/16-24
16	GW-90064	2		Hex Hd. Screw, 3/8-16 x 5/8 Specify GRADE 5 if ordering part locally.
17	736-0169	2	S	Lockwasher, 3/8
19	725-0157	2	/P	Cable Ties, Plastic
21	1114748	6	/P	Round Hd. Screw, #10-32 x 1/2
22	1100240	2	/P	Lockwasher, #10
23	1186208	2	/P	Hex Nut, #10-32
24	GW-9390	2	/P	Grip
25	1918802	1	S	Bail, Forward Clutch Control
35	GW-9853	4	/P	Sems Nut
36	GW-20806	2	/P	Bracket, Bail Support
42	710-0599	2	/P	Hex Flange Screw, self-tapping, 1/4-20 x 1/2 Specify GRADE 5 if ordering part locally.

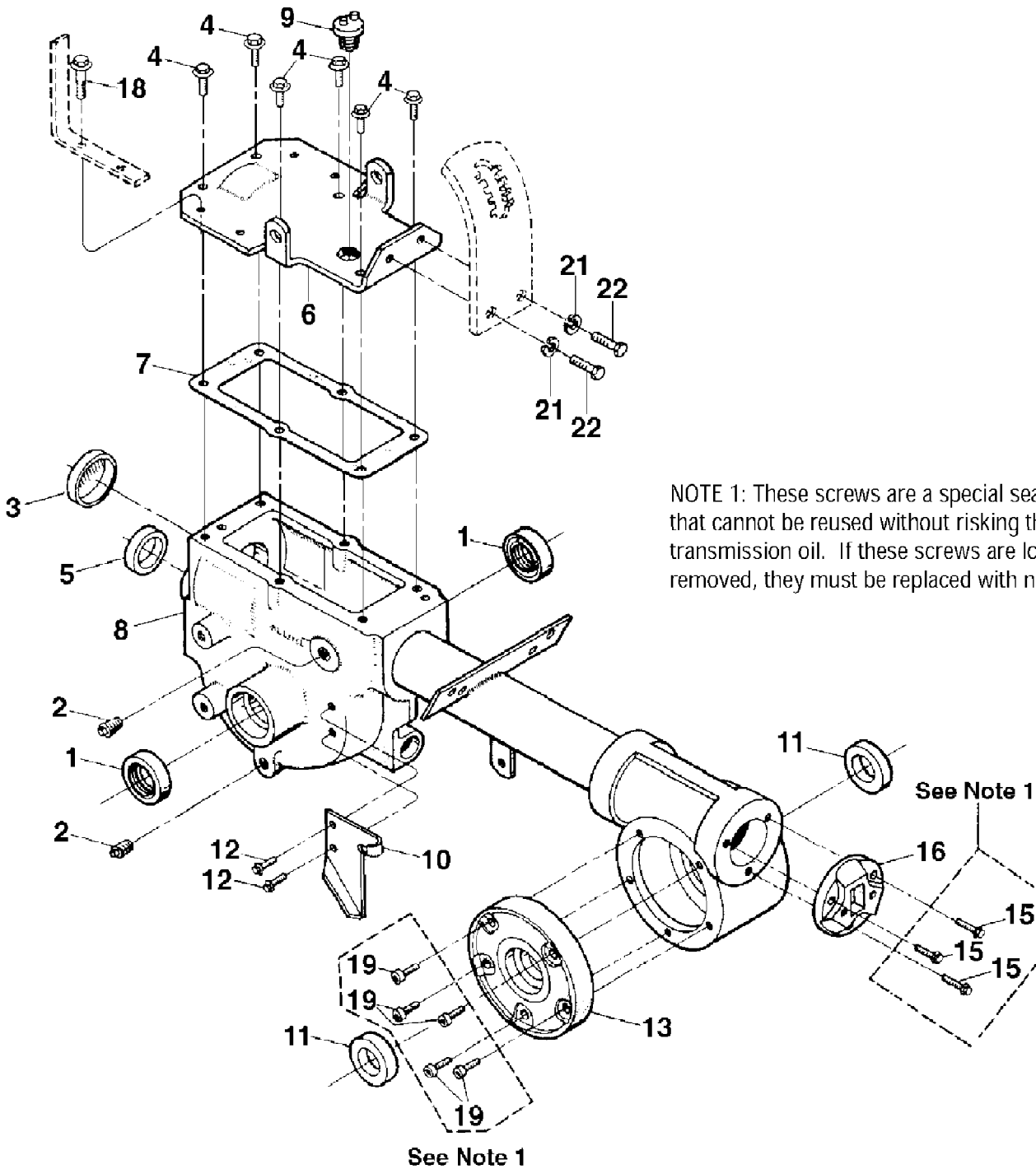
21A-664D766 7HP Roto-Tiller (2004)  
Hood, Bracket And Depth Regulator



21A-664D766 7HP Roto-Tiller (2004)  
Hood, Bracket And Depth Regulator

Page 15 of 19

Ref #	Part Number	Qty	S/P/F	Description
1	686-04013	1		Tine Hood (Incl. hood flap and Ref.17)
2	710-0169	2	S	Lockwasher, 3/8
3	GW-2527	1	/P	Bracket-hood & depth regulator (Incl. Ref. No. 9)
4	710-04049	2	/P	Hex Flange Screw, 5/16-18 x 5/8 Specify GRADE 5 if ordering part locally.
5	712-0291	1	S	Hex Locknut, 1/4-20
6	710-0597	1	/P	Hex Hd. Screw, 1/4-20 x 1 Specify GRADE 5 if ordering part locally.
7	GW-9384	1	S	Spring
8	GW-9534	1	/P	Spacer
9	1185469	1	S	Roll Pin (spiral), 1/4 x 1
10	GW-1117A	1	S	Depth Adjustment Bar Assembly (Incl. Refs. 11 and 12)
11	GW-9120	1	/P	Retaining Ring (tolerance ring)
12	GW-9119	1	/P	Knob, Depth Regulator
13	710-3005	2	/P	Hex Hd. Screw, 3/8-16 x 1-1/4 Specify GRADE 5 if ordering part locally.
14	GW-1113-1	2	S	Bushing, Drag Bar
15	712-3017	2	S	Hex Nut, 3/8-16
16	GW-20775	1	S	Drag Bar
17	777S30649	1	/P	Decal, operating instructions
18	710-0759	2		Hex Hd. Screw, self-tapping, 5/16-18 x 5/8 Specify GRADE 5 if ordering part locally.
19	710-0599	2	/P	Hex Flange Screw, self-tapping, 1/4-20 x 1/2 Specify GRADE 5 if ordering part locally.
618-04002	618-04002	1	S	Transmission

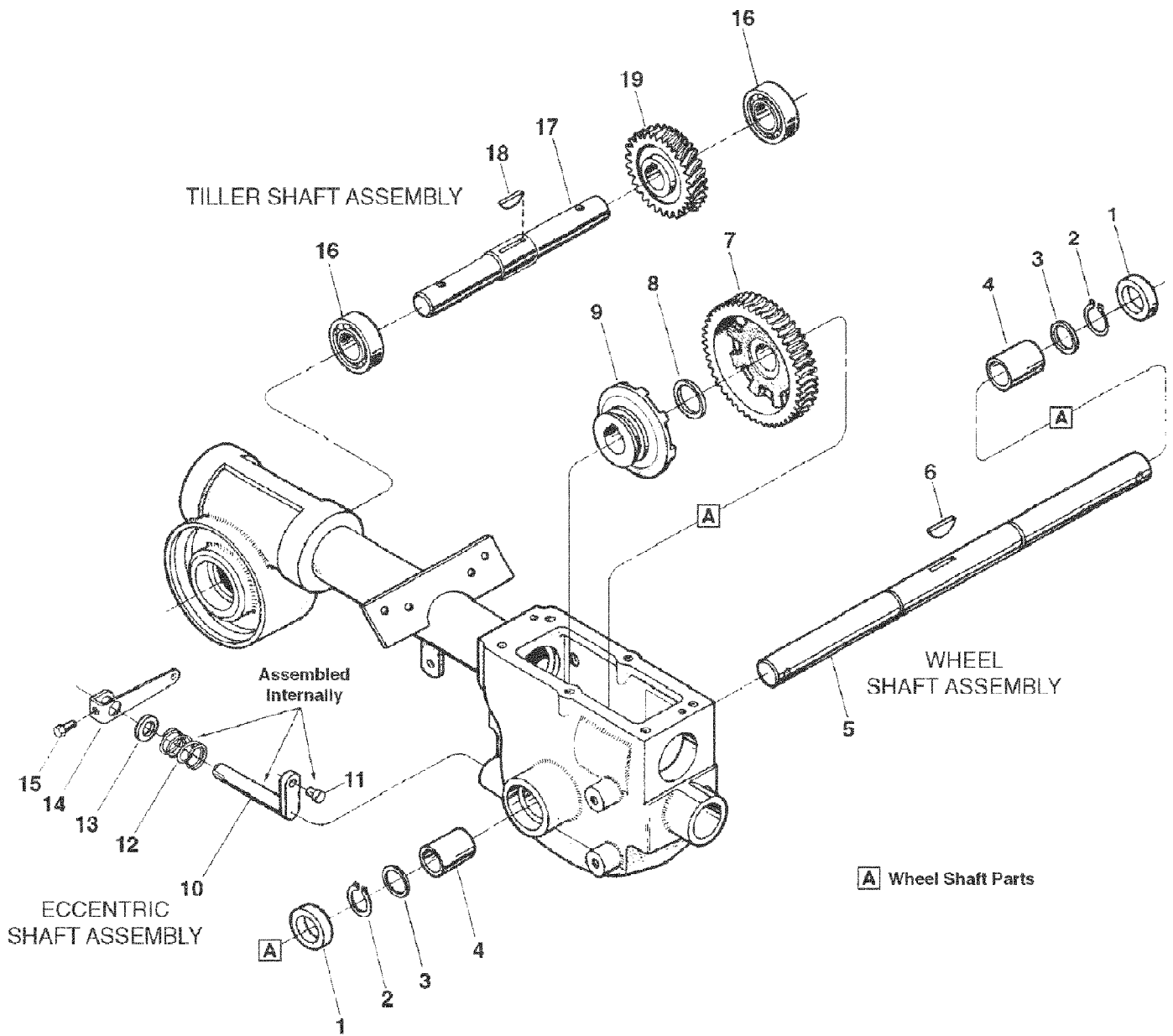




## Transmission Housing, Covers, Seals, Gaskets, Plugs

Ref #	Part Number	Qty	S/P/F	Description
1	721-04031	2	S	Oil Seal (Double Lip), Wheel Shaft
2	1105620	2	/P	Pipe Plug, 1/4,
3	721-04001	1	/P	Seal, Transmission Bore
4	1186329	6	S	Hex Flange Screw, 5/16-18 x 3/4 Specify GRADE 5 if ordering part locally.
5	721-04044	1	S	Oil Seal, Input Pinion Shaft
6	GW-20910	1	S	Transmission Cover
7	GW-20694	1	/P	Gasket, Transmission Top Cover
8	619-04010	1	S	Transmission Case Assy
9	GW-9467	1	/P	Plug
10	GW-20889	1	S	Mounting Plate, Wheel Clutch Cable
11	721-04035	2	S	Oil Seal, Tiller Shaft
12	710-04049	1	/P	Housing Cover, left side
15	1915069	3	/P	Self-Sealing Screw, 1/4-20 x 7/8
16	GW-1115	1	S	Rear Bearing Cap
17	GW-1124-2	A/R	S	Gasket, Rear Bearing Cap, .010" Thick A/R - As Required
18	GW-90063	4	/P	Hex Flange Screw, 5/16-18 x 1 Specify GRADE 5 if ordering part locally.
19	1915068	5	/P	Self-Sealing Screw, 1/4-20 x 5/8
21	736-0169	2	S	Lockwasher, 3/8
22	710-0216	2	/P	Hex Hd. Screw, 3/8-16 x 3/4 Specify GRADE 5 if ordering part locally.

Wheel Shaft, Eccentric Shaft And Tiller Shaft Assemblies



## Wheel Shaft, Eccentric Shaft And Tiller Shaft Assemblies

Ref #	Part Number	Qty	S/P/F	Description
1	721-04031	2	S	Oil Seal
2	1909950	2	S	Retaining Ring (heavy-duty, external)
3	GW-1166-1	A/R	S	Shim, 1-1/64 I.D., .062" thick As Required
	GW-1166-2	A/R	/P	Shim, as above, but .030" thick As Required
	GW-1166-3	A/R	/P	Shim, as above, but .015" thick As Required
	GW-1166-4	A/R	S	Shim, as above, but .010" thick As Required
4	GW-1086	2	S	Bushing
5	GW-2494	1	S	Wheel Shaft
6	GW-9373	1	/P	Hi-Pro Key, 1/4 x 1-5/16
7	GW-20914	1	/P	Wheel Drive Worm Gear (cast-iron)
8	GW-9935	1	/P	Shim (between key and gear), 1.016 I.D. x 1.468 O.D. x .062 Thick
9	GW-20712	1	/P	Wheel Drive Clutch (cast-iron)
10	611-04002	1	/P	Eccentric Shaft
11	GW-1442	1	S	Pin, Eccentric Shaft
12	GW-9055	1	/P	Spring
13	721-04034	1	S	Oil Seal
14	786-04001	1	/P	Eccentric Shaft Lever
15	710-3013	1	/P	Hex Hd. Screw, 1/4-20 x 1/2 Specify GRADE 5 if ordering part locally.
16	741-3037	2	S	Ball Bearing
17	711-04080	1	S	Tiller Shaft
18	GW-1104	1	/P	Woodruff Key, 1/4 x 1-1/4
19	GW-20913	1	/P	Tiller Drive Worm Gear (bronze)