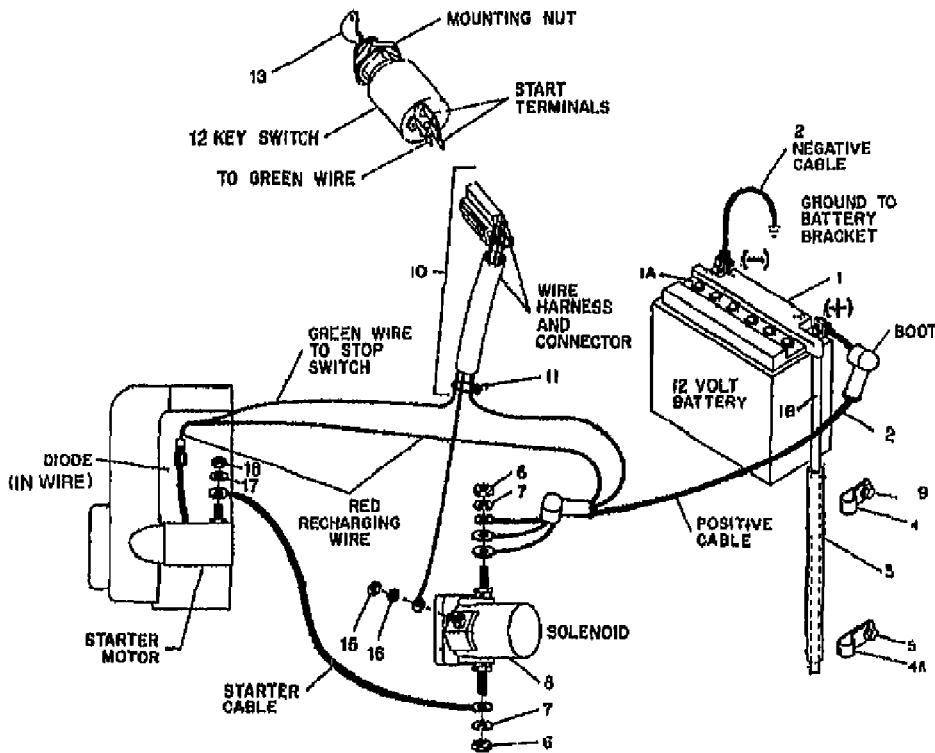
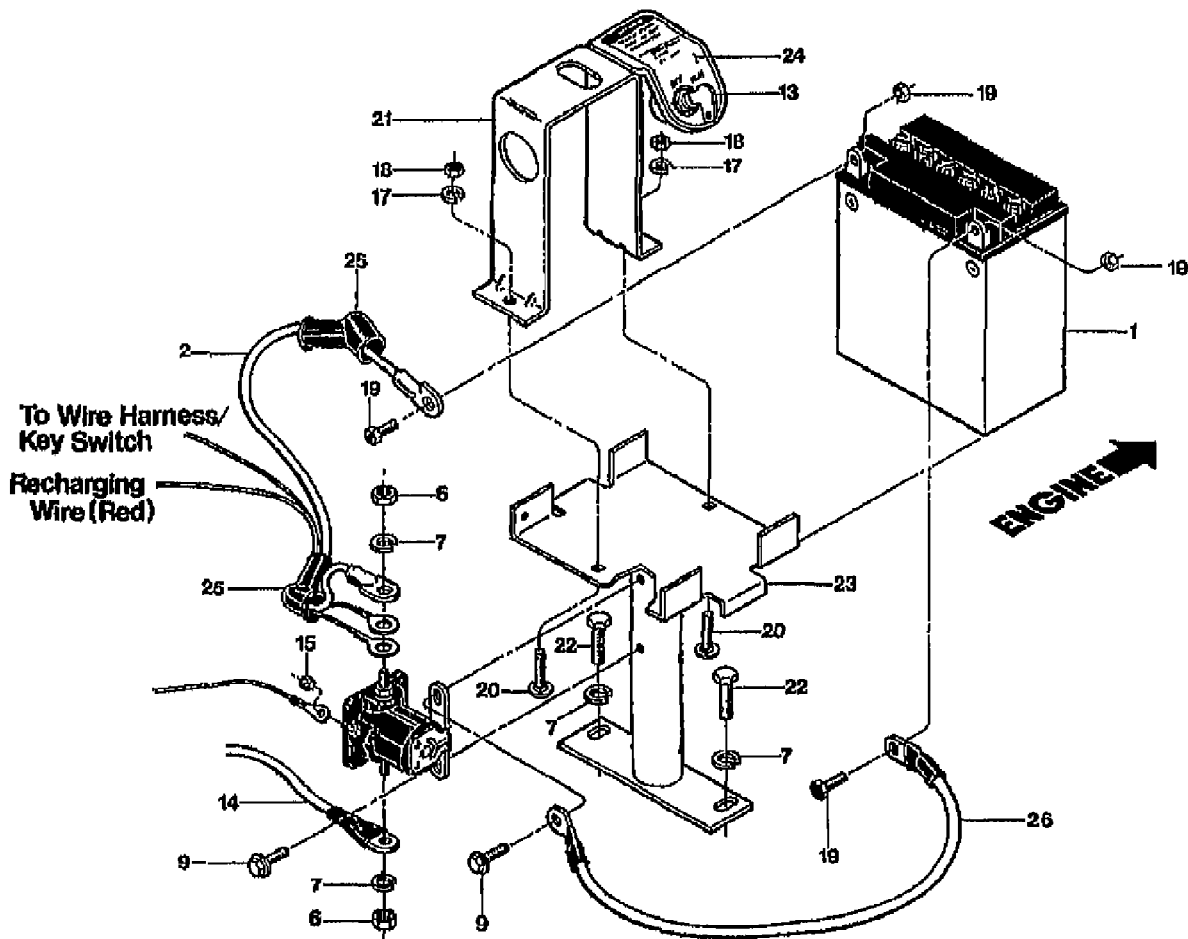


ELECTRIC START ASSEMBLY



BATTERY MOUNTING BRACKET

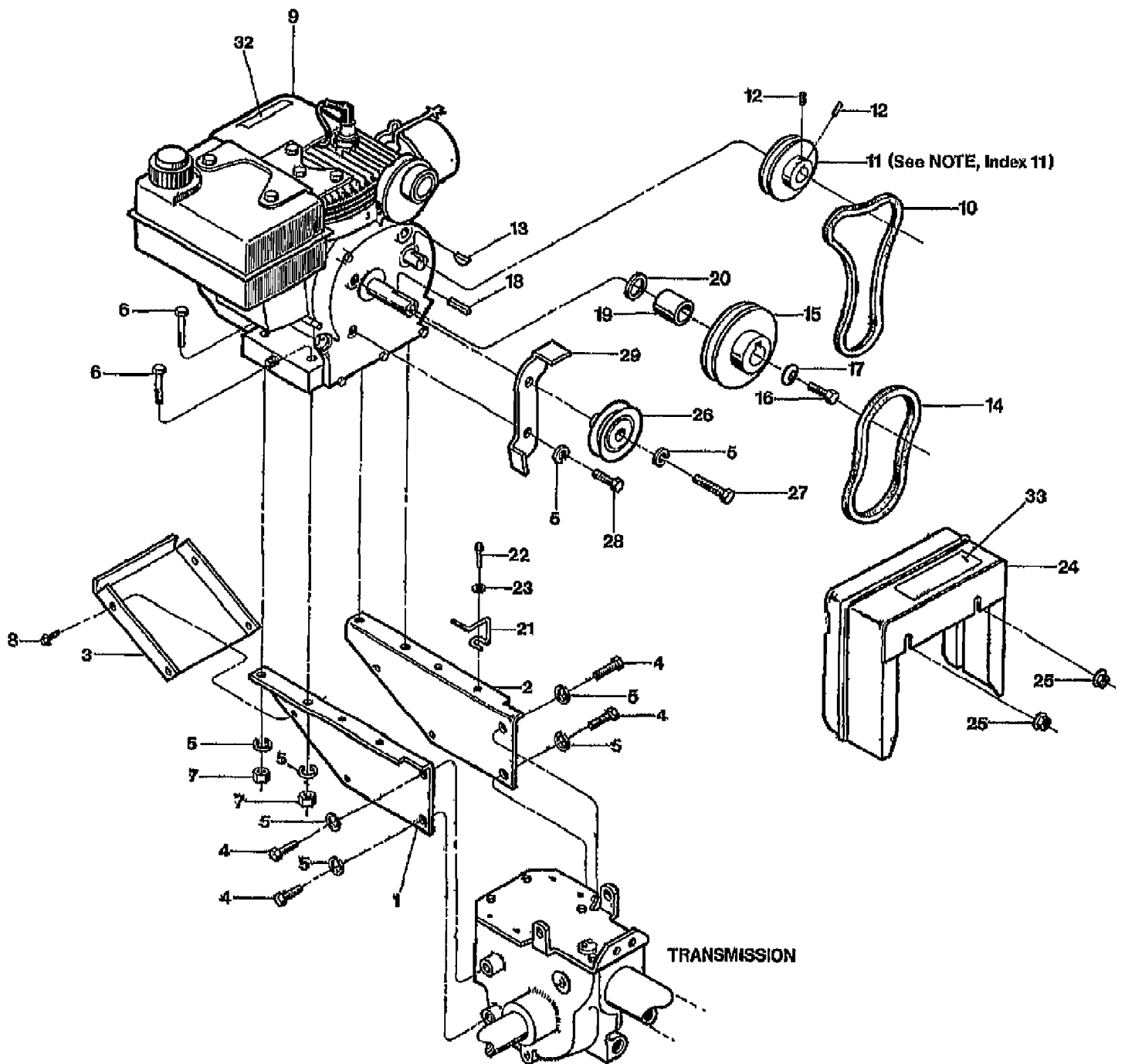


5711 JUNIOR IV OPC (4HP) (S/N M0075090-M0100969)
ELECTRIC START ASSEMBLY

Page 2 of 18

Ref #	Part Number	Qty	S/P/F	Description
1	9234	0	F	BATTERY 12 VLT, 12 AMP
1A	9462	0		CAP-YELLOW
1A	9248	0		CAP-BATTERY WHITE (PONY)
1B	9247	0		TUBE-VENT BATTERY/HSE
2	9296	0		CABLE-BATTERY POS.
3	1475	0		TUBING-RUBBER
4	9224	0		CLAMP
4A	9391	0		CLAMP-VENT TUBE 9/16 OPC
5	9780	0		SCR-HH 1/4-20X.625
6	9826	0		NUT-HEX 5/16-24
7	9912	0		WASHER-LK .312 ZP
8	1959	0		KIT-SOL W/HDW (INCL NUTS & WSHRS FOR CBLE WRE)
9	9552	0	S	SCR-HWH 1/4-20 X .5 STH
10	2613	0	F	HARNESS-WIRE 3.5
11	9265	0	S	TIE-TWIST LOCK
12	9230	0		KEYSWITCH W/2 KEYS
13	9243	0		KEYS(1 PAIR) FOR SWITCH
14	9223	0		CABLE-BATTERY (SOLENOID TO SRTR)
15	9853	0	S	NUT W/LKWASHER #10-32 ZP
16	9921	0	S	WASHER-EXTERNAL TOOTH 1
17	9910	0		WASHER-LK .25 ZP
18	9800	0		NUT-HEX 1/4-20 ZP
19	11361	0		HDW PKG-BATT TERM (ATTACH BATT CBLs TO POSTS)
20	9566	0		SCR-CARR 1/4-20X1.25
21	20859	0		PLATE-KEYSWITCH (INCL DECAL #20820)
22	9704	0		SCR-HH 5/16-18X1.0 G5 ZP
23	20837	0	S	BRKT-BATTERY OPC PNT
24	20820	0		DECAL-KEYSWITCH
25	9255	0		BOOT
26	9392	0		CABLE-BATTERY 13.5"

5711 JUNIOR IV OPC (4HP) (S/N M0075090-M0100969)
ENGINE, PULLEYS & BELT

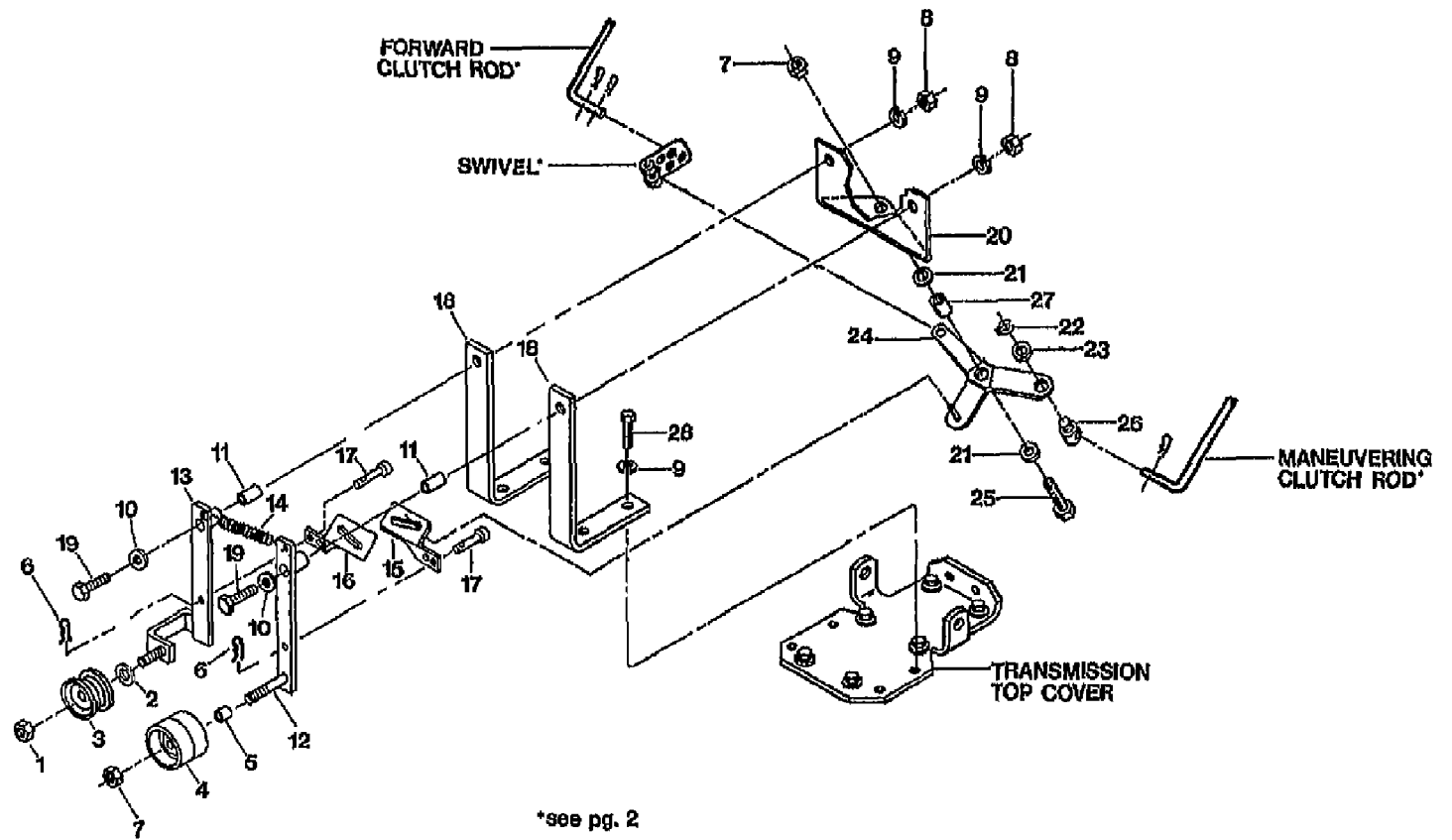


5711 JUNIOR IV OPC (4HP) (S/N M0075090-M0100969)
ENGINE, PULLEYS & BELT

Page 4 of 18

Ref #	Part Number	Qty	S/P/F	Description
1	20754	0		BRKT-ENG LT P4
2	20755	0	S	BRKT-ENG RT PNT
3	20673	0	S	PAN-ENG BRKT PNT
4	9703	0		SCR-HHC 5/16-18X.75 GR 5 ZP
5	9912	0		WASHER-LK .312 ZP
6	9758	0		SCR-HH 5/16-18X1.5 G5 ZP
7	9801	0		NUT-HEX 5/16-18 ZP
8	9768	0		SCR-HH SEMS 10-32 X .5 ZP (SEMS-W/PERM WSHR)
9	0	0		ENGINE TECUMSEH, STANDARD RECOIL START WITH ELEC SOLID STATE IGNITION, 4HP, MODEL HS40, TYPE 55580K.
9	0	0		ENGINE TECUMSEH, ELEC START WITH ELEC SOLID STATE IGNITION, 4HP, MODEL HS40, TYPE= 55581K.
10	9095	0		BELT-V (SEE V-BELT SET BELOW)
11	50210	0	F	PULLEY-REVERSE (ENG DRIVEN, 1 GROOVE, 1 BELT)
12	9561	0	S	SCR-SS 1/4-20 X .25 (SECUR REV ENG PULLEY)
13	9361	0	S	KEY-WOODRUFF #5
14	20565	0		BELT-V, FWD SMFRAME (SEE V-BELT SET BELOW)
15	20765	0		PULLEY-FOWARD (ENG DRIVEN, 1 GROOVE, 1 BELT)
16	9549	0		SCR-HH 3/8-24X1.0 G5 ZP (ATTACH FORW PULLEY)
17	9925	0	F	WASHER-.994X.413X.145
18	9301	0	S	KEY-.188 SQX1.0 (fwd ply to fwd pto shaft)
19	9046	0		SPACER-.755X.937X1.375 (on fwd pto shaft)
20	1138-2	0	S	SHIM-1.0X.7656X.031 (on fwd pto shaft)
21	20555	0		GUIDE-BELT FWD
22	9573	0	S	SCR-HWH 1/4-20 X .75 STH
23	9900	0		WASHER-FLAT 1/4 SAE
24	20852	0		CVR-BELT W/DEC P/JR OPC (incl #33)
25	9848	0		NUT-HFLK 5/16-18 ZP
26	50190	0		IDLER-V-GROOVE (internal bushing type)
27	9708	0		BOLT-HH 5/16-24 X 1.5 ZP
28	9563	0		SCR-HH 5/16-24X.50
29	50198	0		GUIDE-BELT REV PNT (for rev idler pulley)
	11018	0		KIT-BELT P/J (incl #20565 fwd & #9095 rev blt)
32	20821	0		DECAL-STARTING STABIL
33	20818	0	S	DECAL-BELT COVER OPC

5711 JUNIOR IV OPC (4HP) (S/N M0075090-M0100969)
FORWARD/REVERSE IDLER ASSEMBLY

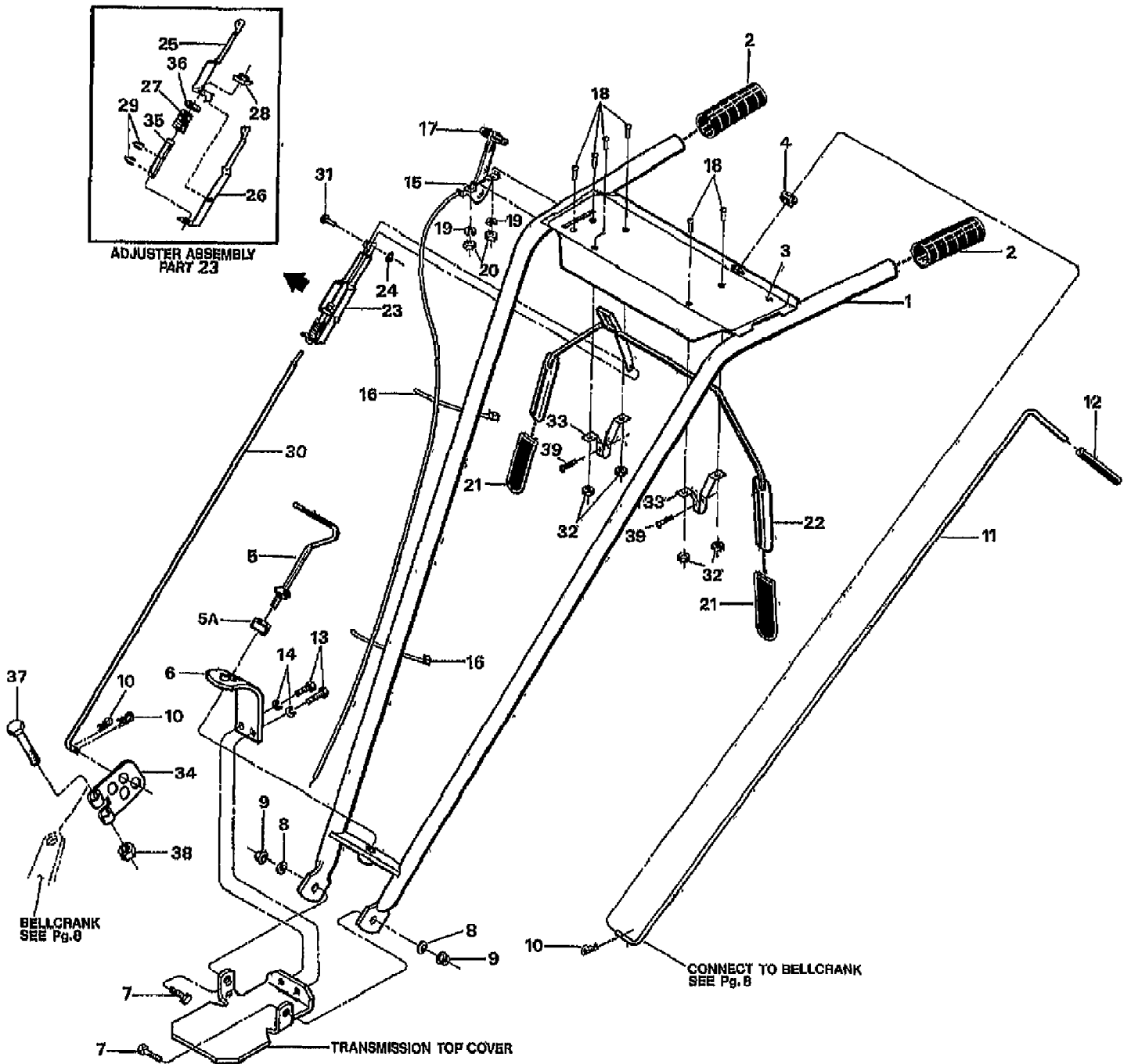


5711 JUNIOR IV OPC (4HP) (S/N M0075090-M0100969)
FORWARD/REVERSE IDLER ASSEMBLY

Page 6 of 18

Ref #	Part Number	Qty	S/P/F	Description
1	9837	0	S	NUT-LOCK 3/8-16 NYLON ZP
2	20513	0		BUSHING-.54X.38X.08
3	9460	0		IDLER-REV
4	9090	0	S	PULLEY-IDLER FORWARD
5	9091	0		SPACER-IDLER FWD
6	9338	0	S	PIN-CLIP .08
7	9807	0		NUT-H/LK 3/8-16
8	9801	0		NUT-HEX 5/16-18 ZP
9	9912	0		WASHER-LK .312 ZP
10	20545	0	S	WASHER-#.75X.32X.09 ZP
11	9479	0	S	BUSHING-.438X.323X.712
12	20657	0		ARM-IDLER FWD PNT (left)
13	20760	0		IDLER-REV (right)
14	1492	0	S	SPRING-.436 X 3.25
15	20517-01	0		LINK-FWD
16	20517-02	0		LINK-REV
17	9340	0		PIN-CLEVIS .375X.719 ZP
18	20751	0		MOUNT BAR-PNT (20691)
19	9741	0	S	BOLT-HH 5/16-18 X 2 G5 ZP
20	20842	0	S	SHIFT BASE-OPC PNT
21	20553	0	S	SPACER-.88X.385X.09 ZP
22	9532	0	S	RING-KLIP .500 ZINC
23	20546	0	S	WASHER-#.88X.51X.063 ZP
24	20838	0	S	BELLCRANK-OPC PNT
25	9712	0		SCR-HH 3/8-16X1.25
26	20506	0		PIVOT-ROD
27	20532	0	S	BUSHING-.5X.38X.4
28	9704	0		SCR-HH 5/16-18X1.0 G5 ZP

5711 JUNIOR IV OPC (4HP) (S/N M0075090-M0100969)
HANDLE BARS & CONTROL LEVERS

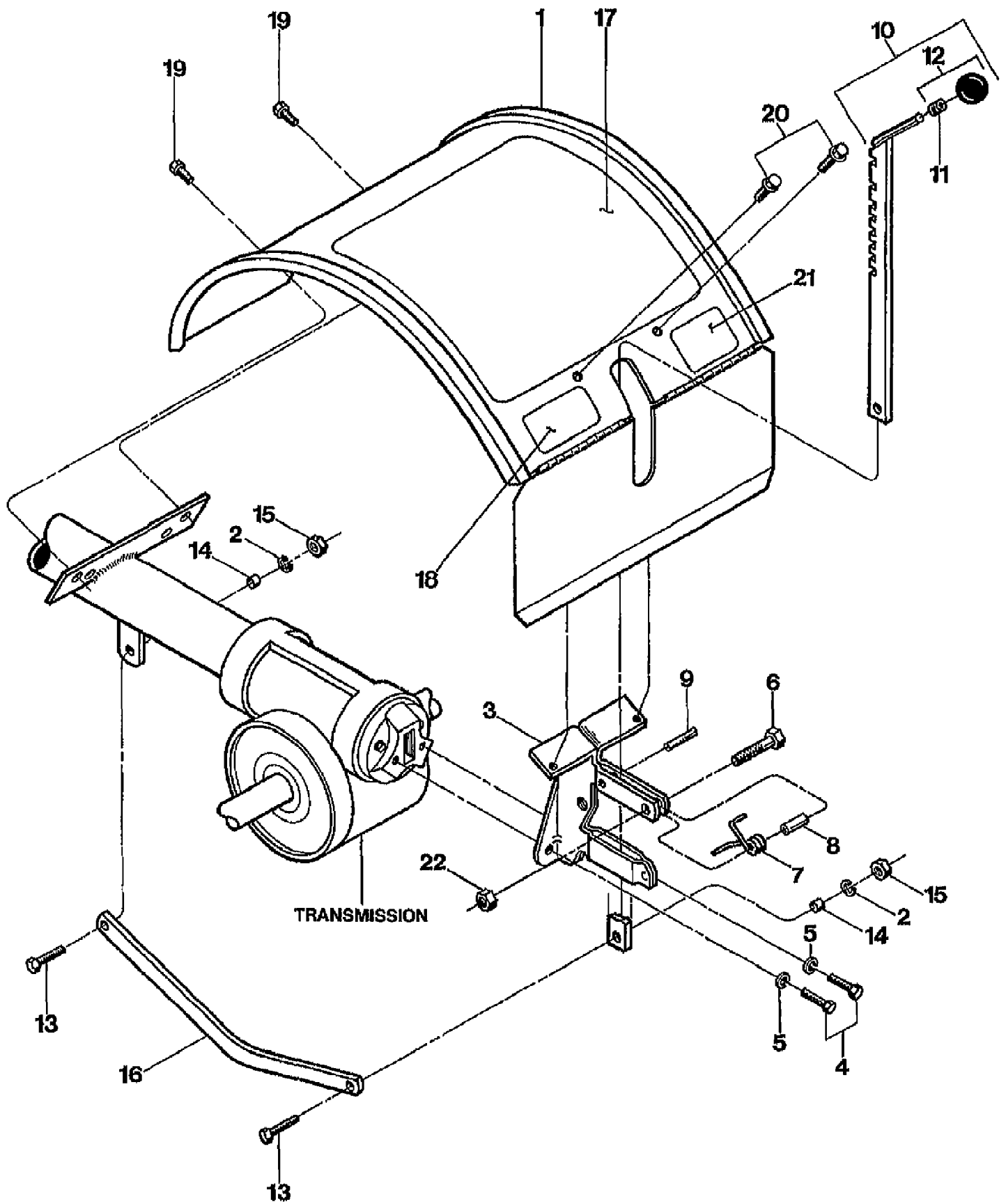


5711 JUNIOR IV OPC (4HP) (S/N M0075090-M0100969)
HANDLE BARS & CONTROL LEVERS

Page 8 of 18

Ref #	Part Number	Qty	S/P/F	Description
1	50253	0		ASSM-HANDLEBAR W/GRIPS (INCL. 2-5A)
2	9126	0	S	GRIP-H/B 1" PONY/P-J OPC
3	50242	0		DECAL-CONTROL PANEL OPC
4	9251	0		BUSHING-NYLON (PART OF OPER. CONTROL PANEL)
5	20703	0		ASSM-STUD H/B
5A	9955	0	S	WASHER-1.0X.38X.375
6	20753	0		PLATE-HANDLEBAR ADJUST
7	9711	0		SCR-HH 3/8-16X1.0 G5 ZP (HANDLEBAR ATTACH.)
8	9904	0	S	WASHER-FLAT 3/8 SAE (HANDLEBAR ATTACH.)
9	9837	0	S	NUT-LOCK 3/8-16 NYLON ZP (HANDLEBAR ATTACH.)
10	9338	0	S	PIN-CLIP (CONN #11 & FRWD CLTCH TO SHFT MECH)
11	20830	0		ROD-REV W/GRIP OPC (INCL. GRIP #9198)
12	9198	0		GRIP-CONTROL ROD
13	9709	0		SCR-HH 3/8-16X.75 (HANDLEBAR ATTACH.)
14	9913	0		WASHER-LK .375 (HANDLEBAR ATTACH.)
15	9441	0		CABLE-THROTTLE JR OPC
16	9202	0	S	TIE-RED (ATTACH. THROTTLE CABLE TO HANDLEBAR)
17	9212	0	S	KNOB-THROTTLE CABLE
18	9722	0		SCR-RH M10-32X.5 MACH
19	9909	0		WASHER-LK M10
20	9809	0		NUT-HH M10-32X.125
21	9390	0	S	GRIP-PADDLE SM FRAME OPC
22	20863	0	S	BAIL, OPC (W/ 2 #9390 GRIPS)
23	20862	0	S	ASSM-ADJUSTMENT OPC (INCL. #25-27, 29 & 36)
24	9386	0		RING-KLIP .188 DIA
25	20808	0	S	ADJUSTER-RT SIDE OPC
26	20809	0	S	ADJUSTER-LT SIDE OPC
27	9059	0	S	SPRING-ADJUSTER OPC
28	9522	0		WELDNUT 5/16-18
29	9532	0	S	RING-KLIP .500 ZINC
30	20831	0	S	ROD-CONTROL OPC
31	9388	0		ASSM-PIN & CLIP (SMALL FRAME)
32	9853	0	S	NUT W/LKWASHER #10-32 ZP
33	20806	0	S	BRACKET-BAIL OPC
34	20805	0		SWIVEL
35	9432	0		BUSHING-.5X.334X2.88
36	9973	0		WASHER-.75X.51X.06 ZP
37	9664	0		SCR-HH 1/4-20X1.5 G5ZP
38	9811	0		NUT-LK 1/4-20
39	9552	0	S	SCR-HWH 1/4-20 X .5 STH

5711 JUNIOR IV OPC (4HP) (S/N M0075090-M0100969)
HOOD & DEPTH REGULATOR



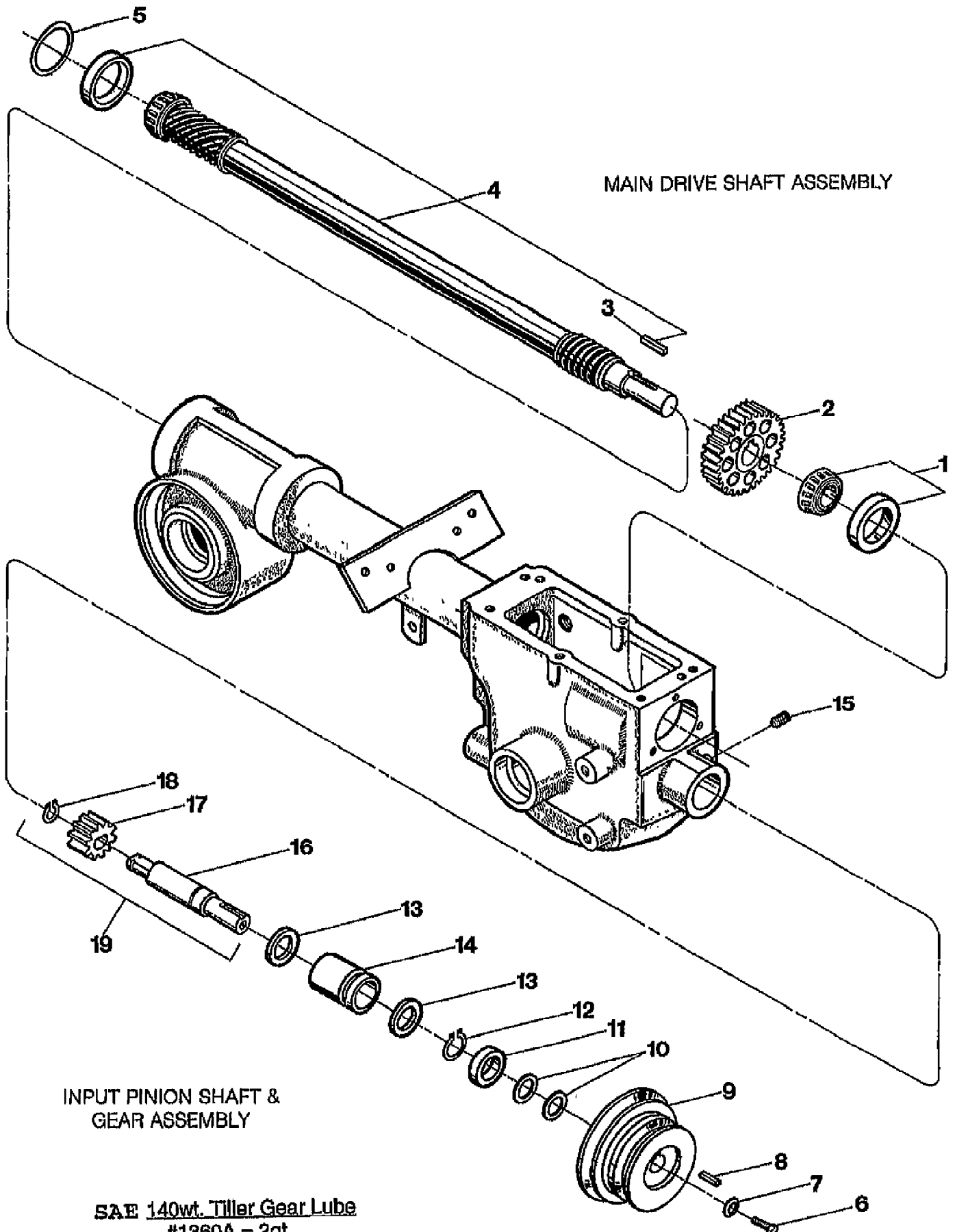
5711 JUNIOR IV OPC (4HP) (S/N M0075090-M0100969)
HOOD & DEPTH REGULATOR

Page 10 of 18

Ref #	Part Number	Qty	S/P/F	Description
1	50254	0	F	HOOD (W/DECALS #50241, 50250 & 20814)
2	9913	0		WASHER-LK .375 @ DEPL
3	2527	0	S	BRKT W/ROLL PIN (9308)
4	9703	0		SCR-HHC 5/16-18X.75 (BRKT TO REAR BEAR CAP)
5	9912	0		WASHER-LK .312 ZP
6	9734	0		SCR-HH 1/4-20X1.0
7	9384	0	S	SPRING-TORSION
8	9534	0	S	SPACER-.250X.343X.375
9	9308	0	S	PIN-ROLL .25 X 1 (SPIRAL)
10	1117A	0	S	DEPTH REGULATOR W/KNOB (INCL. #11 & 12)
11	9120	0	S	RING-TOLERANCE .5325 ID
12	9119	0	S	KNOB-CONTROL (INCL. #11)
13	9712	0		SCR-HH 3/8-16X1.25
14	1113-1	0	S	BUSHING-.5X.375X.3
15	9802	0		NUT-HEX 3/8-16 ZP
16	20775	0	S	DRAG BAR-BENT
17	50241	0		DECAL-HOOD INST JR OPC
18	50250	0		DECAL-LOGO JUNIOR OPC
19	9553	0	S	SCR-HWH 5/16-18 X .5 STH
20	9552	0	S/F	SCR-HWH 1/4-20 X .5 STH
21	20814	0		DECAL-TINE WARN SM FRAME
22	9811	0		NUT-LK 1/4-20

5711 JUNIOR IV OPC (4HP) (S/N M0075090-M0100969)
MAIN DRIVE SHAFT & GEAR ASSEMBLY

DRIVE SHAFT, INPUT PINION SHAFT & GEAR ASSEMBLIES



SAE 140wt. Tiller Gear Lube

#1360A = 2qt.

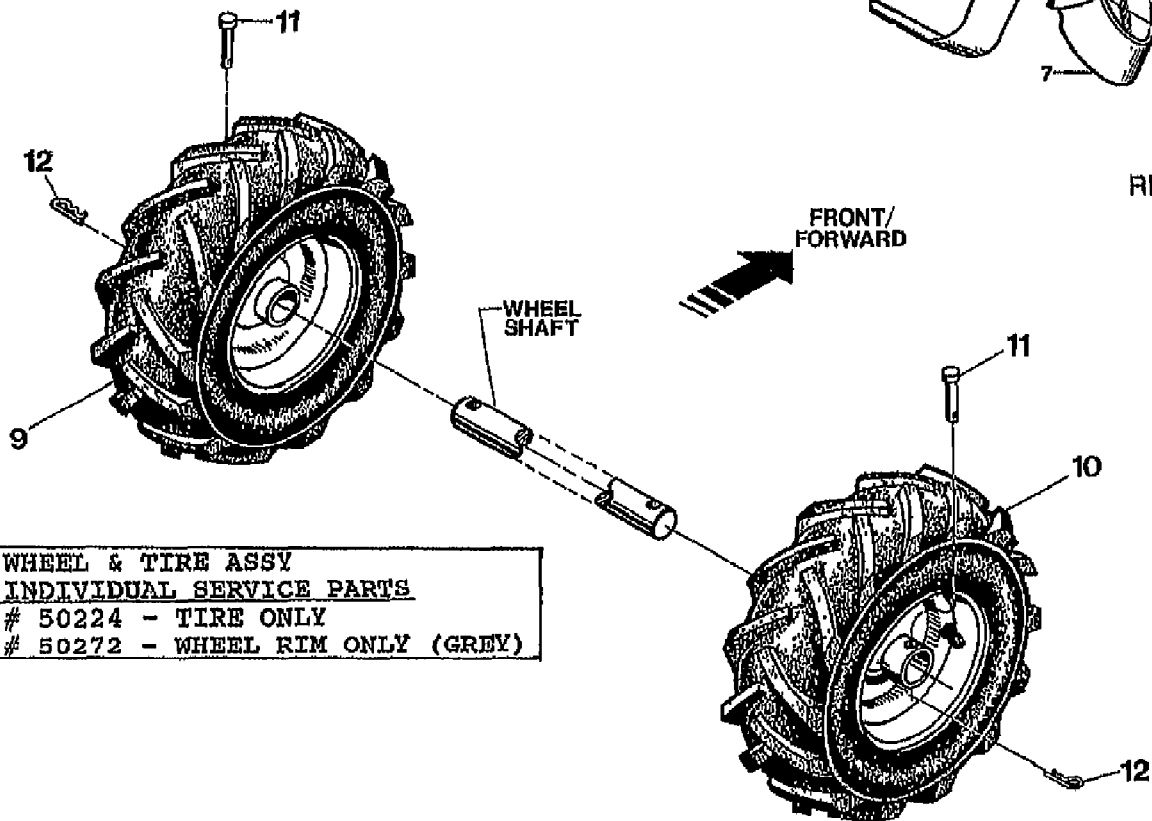
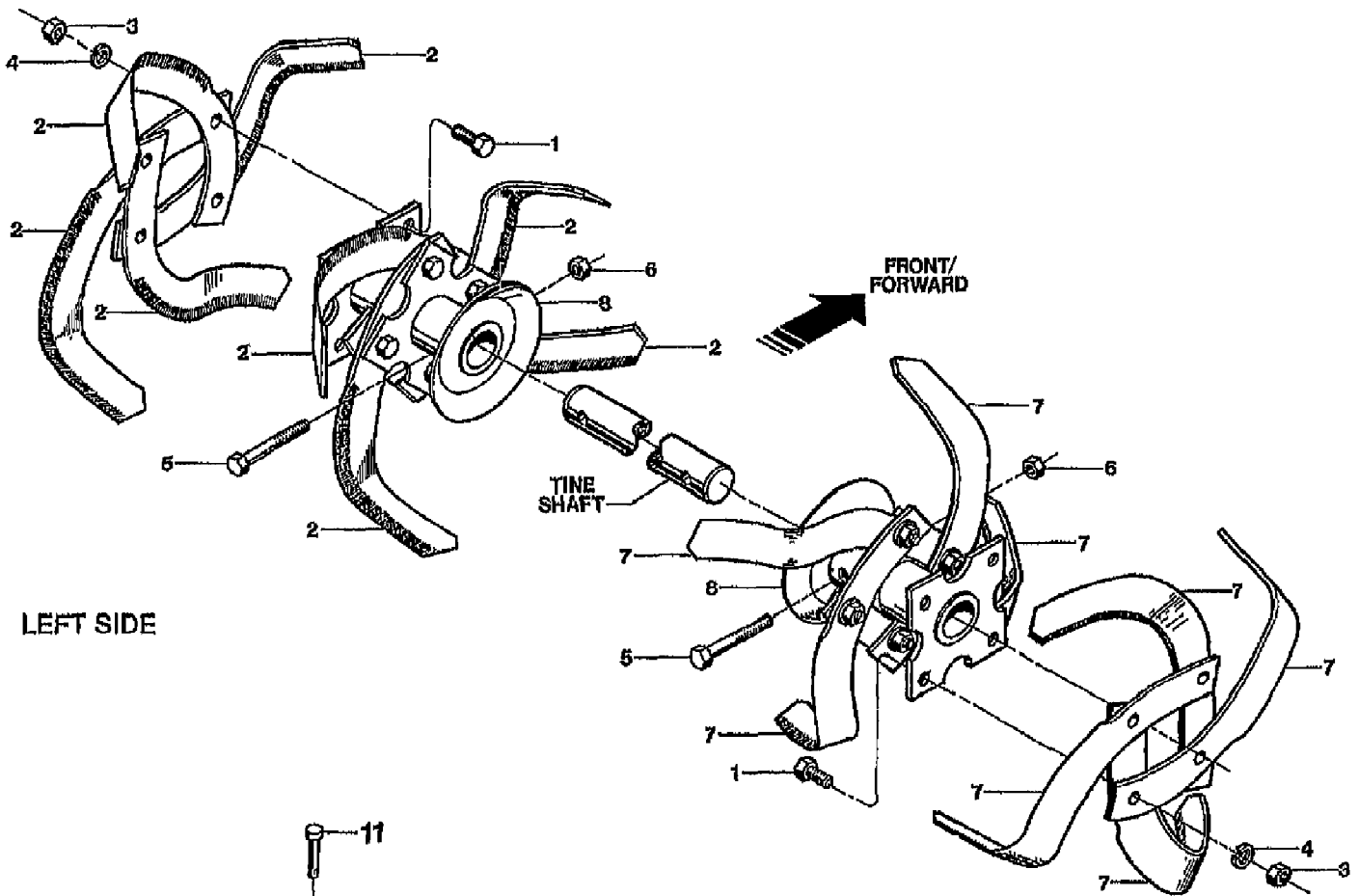
#1901964 = 1qt.

5711 JUNIOR IV OPC (4HP) (S/N M0075090-M0100969)
MAIN DRIVE SHAFT & GEAR ASSEMBLY

Page 12 of 18

Ref #	Part Number	Qty	S/P/F	Description
1	1714	0	S	KIT-BRG CONE&RACE-DRIVESHAFT (FRT OF DRV SHFT)
2	20718	0	S	GEAR-SPUR 30 TEETH
3	9301	0	S	KEY-.188 SQX1.0
4	10360	0	F	KIT-DRIVESHAFT
5	1224-1	0	S/F	SHIM-1.75X1.5X.01
5	1224-2	0	S/F	SHIM-1.75X1.5X.03
5	1224-3	0	S/F	SHIM-1.75X1.5X.005
	1325C	0	S/F	SHIM SET-DRIVESHAFT-HORSE
6	9655	0	S	SCR-HH 5/16-24X.75 G5 ZP
7	9944	0	S	WASHER-.827X.331X.098 (CONCAVE SDE FACES PLY)
8	9301	0	S	KEY-.188 SQX1.0
9	20766	0	F	PULLEY-TRANS MACH
10	1440	0	S	WASHER # .875 X .65 X .06
11	9600	0		SEAL-PINION SHAFT PT/85030/00
12	9500	0	S	RING-RETAIN EXT .707 ID
13	9953	0	S	WASHER-1.022X.752X .059
14	9428	0	S	BUSHING-1.24X.75X1.8 GRVD
15	9677	0	S	SCR-SS 5/16-18X.375
16	20791	0	S	SHAFT-PINION(P-V)
17	20792	0	S	GEAR-PINION P/M
18	9093	0	S	RING-BOWED EXT .461 ID
19	20799	0	S/F	PINION W/GEAR&SNAP RING
	1360A	0		OIL (SAE 140WT. TILLER GEAR LUBE, 2 QT.)
	1901964	0		OIL (SAE 140WT. TILLER GEAR LUBE, 1 QT.)

5711 JUNIOR IV OPC (4HP) (S/N M0075090-M0100969)
TIRES & WHEELS



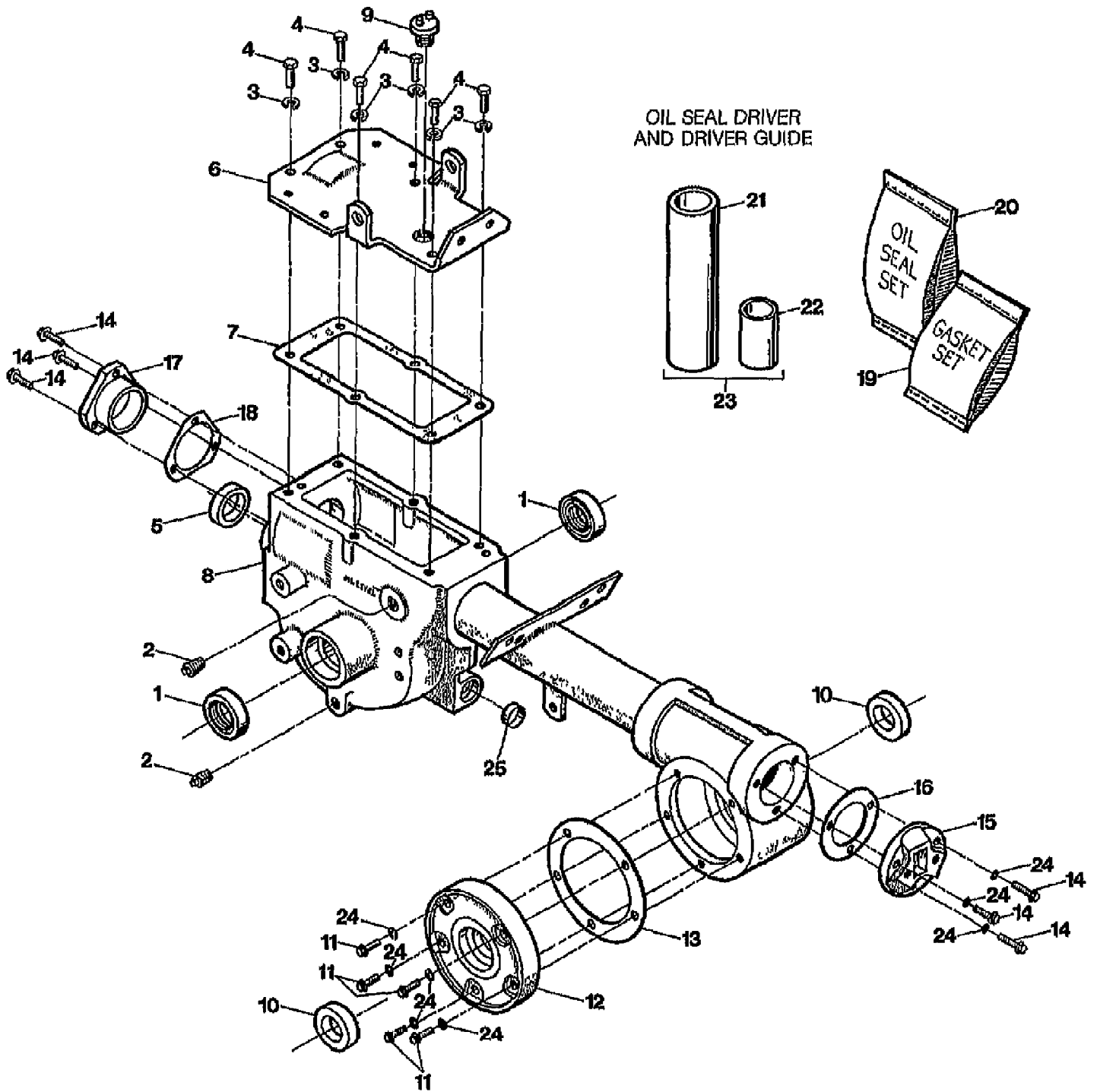
WHEEL & TIRE ASSY
INDIVIDUAL SERVICE PARTS
50224 - TIRE ONLY
50272 - WHEEL RIM ONLY (GREY)

5711 JUNIOR IV OPC (4HP) (S/N M0075090-M0100969)
TIRES & WHEELS

Page 14 of 18

Ref #	Part Number	Qty	S/P/F	Description
1	9711	0		SCR-HH 3/8-16X1.0 G5 ZP
2	50049-01	0	S	TINE-BOLO RIGHT
3	9802	0		NUT-HEX 3/8-16 ZP
4	9913	0		WASHER-LK .375 @ DEPL
5	9761	0		SCR-HH 3/8-16X2.00 G8 (hldr to tllr shaft)
6	9807	0		NUT-H/LK 3/8-16
7	50049-02	0	S	TINE-BOLO LEFT
8	50219	0		HOLDER-TINE JUNIOR (for bolo tines, lt & rt)
	1901	0	S/F	TINES-BOLO JUNIOR/TUFFY
9	50223-1	0	F	ASSM-WHEEL&TIRE LT
10	50223-2	0	F	ASSM-WHEEL&TIRE RT
	50224	0		TIRE 3.25-5
	50272	0		RIM-WHEEL 5" GRAY
11	9380	0	S	PIN-CLEVIS (SECUR WHEEL HUB TO WHEEL SHAFT)
12	9338	0	S	PIN-CLIP .08

5711 JUNIOR IV OPC (4HP) (S/N M0075090-M0100969)
TRANSMISSION HSG. & SEALS/GASKETS



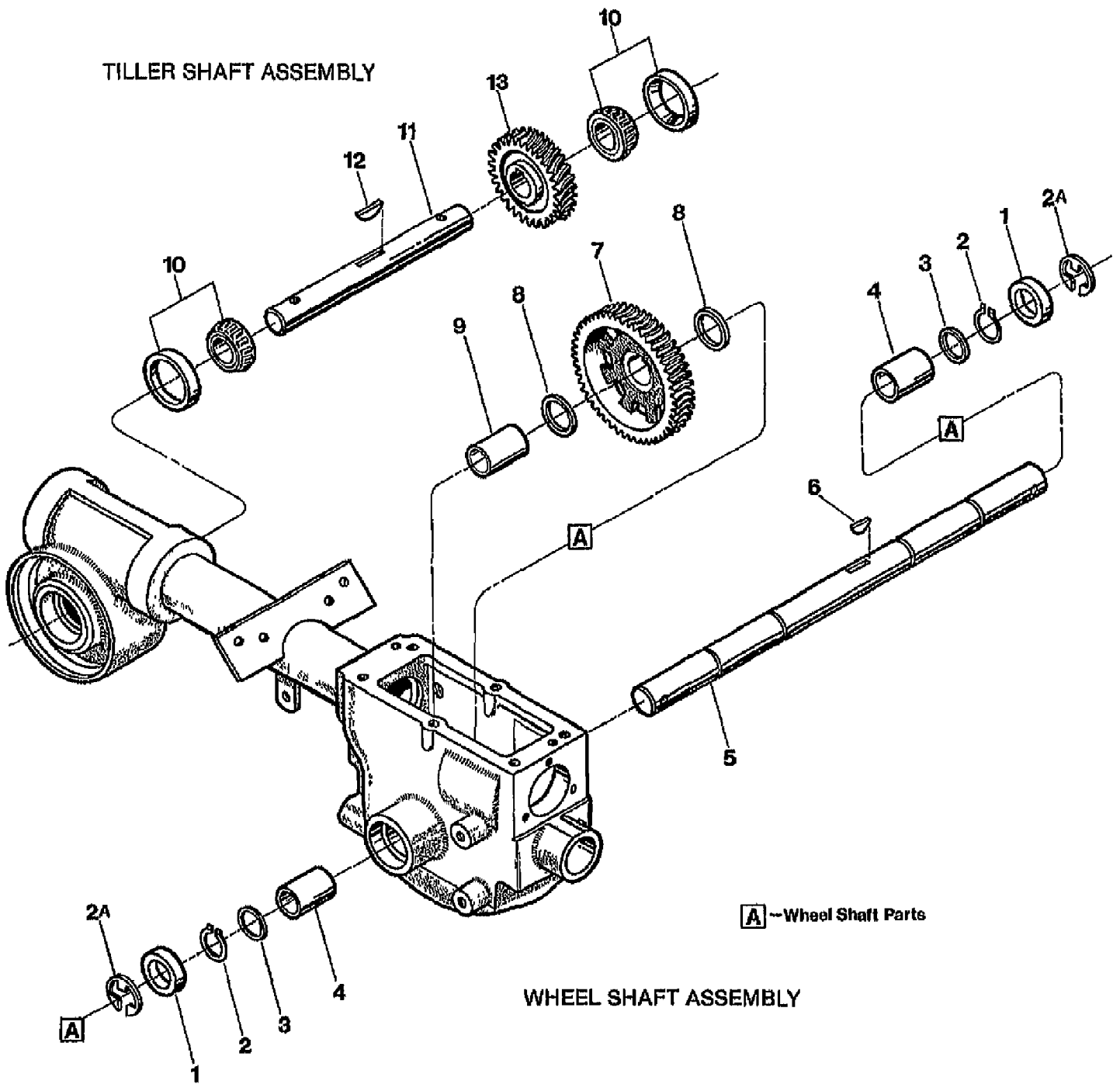
1360A SAE 140 GEAR OIL

5711 JUNIOR IV OPC (4HP) (S/N M0075090-M0100969)
TRANSMISSION HSG. & SEALS/GASKETS

Page 16 of 18

Ref #	Part Number	Qty	S/P/F	Description
1	9621	0	S	SEAL-OIL WHEELSHAFT (RT & LT SIDES)
2	9726	0	S	PLUG-PIPE 1/4 NPT (OIL LVL & GEAR OIL DRAIN)
3	9912	0		WASHER-LK .312 ZP (TRANS TOP COVER)
4	9703	0		SCR-HHC 5/16-18X.75 GR 5 ZP (TRANS TOP COVER)
5	9600	0		SEAL-PINION SHAFT PT/85030/00 (INP PNION SHFT)
6	20692	0		COVER-TRANS (TOP OF TRANS)
7	20694	0	S	GASKET-TRANS COVER (TRANS TOP COVER)
8	20778	0		HSG-TRANS P5 A UNIT (INCL #9429 REAR BRG RACE)
9	9467	0	S	PLUG-OIL FILL 3/4-10 (GEAR OIL FILL)
10	9623	0		SEAL-TILLER SHAFT (LT & RT SIDES)
11	9780	0		SCR-HH 1/4-20X.625
12	10812	0		COVER-LFT W/SCRS&RACE (INCL 5 #9780 BLTS)
13	1129-1	0	S	GASKET-TILLER COVER (FITS ALL COVERS)
14	9773	0		SCR-HFLK 1/4-20X.875
15	1115	0		CAP-REAR #1115
16	1124-2	0	S	GASKET-BRG COVER
17	20695	0		COVER-FRONT BEARING
18	20693-2	0		GASKET-FRONT COVER-.010
19	10358	0	F	GASKET SET-P4
20	10813	0	F	OIL SEAL SET-PONY V
21	4921-1	0	F	DRIVER-PLASTIC
22	4921-2	0	F	SEAL-DRIVER PILOT
23	4921	0		KIT-DRIVER (INCL. 21,22)
24	0	0		WASHER, NYLON (NOT REUSABLE) IF BOLTS WITH THESE WASHERS ARE REMOVED, DISCARD WASHERS, THEN APPLY NON- HARDENING GASKET SEALANT TO BOLT THREADS AND REPLACE BOLTS SECURELY.
	10148	0		OBS-KIT NYLON WASHER (INCL EIGHT WSHRS #24)
25	9096	0		PLUG-BORE
	1360A	0		OIL (1901964)

5711 JUNIOR IV OPC (4HP) (S/N M0075090-M0100969)
WHEEL TILLER SHAFT ASSEMBLIES



SAE, 140wt. Tiller Gear Lube
#1360A = 2qt.
#1901964 = 1qt.

5711 JUNIOR IV OPC (4HP) (S/N M0075090-M0100969)
WHEEL TILLER SHAFT ASSEMBLIES

Page 18 of 18

Ref #	Part Number	Qty	S/P/F	Description
1	9621	0	S	SEAL-OIL WHEELSHAFT (LT & RT SIDES)
2	9511	0	S	RING-HEAVY EXT .906 ID
2A	9512	0	S	RING-RETAINING 5133-989
3	1166-1	0	S	SHIM-1.375X1.015X.062
3	1166-2	0	S	SHIM-1.375X1.015X.03
3	1166-3	0	S	SHIM-1.375X1.015X.015
3	1166-4	0	S	SHIM-1.375X1.015X.01
4	1086	0	S	BUSHING-1.25X1.005X1.5
5	50230	0		ASSM-WHEELSHAFT (INCL KEY #9097)
6	9097	0		KEY-HI PRO .25X.938
7	50217	0		GEAR-MACH
8	1132-3	0	S	SHIM-1.234X1.015X.01
9	50216	0		SPACER-WHEEL SHAFT
10	10805	0		BEARING CUP & CONE (W/ RACE)
11	20798	0		SHAFT W/KEY (TILLER)
12	1104	0	S	KEY-WOODRUFF .25X1.12
13	20776	0		GEAR-TILLER MACH (BRONZE)
	1360A	0		OIL (SAE 140WT. TILLER GEAR LUBE, 2 QT.)
	1901964	0		OIL-(SAE 140WT. TILLER GEAR LUBE, 1 QT.)