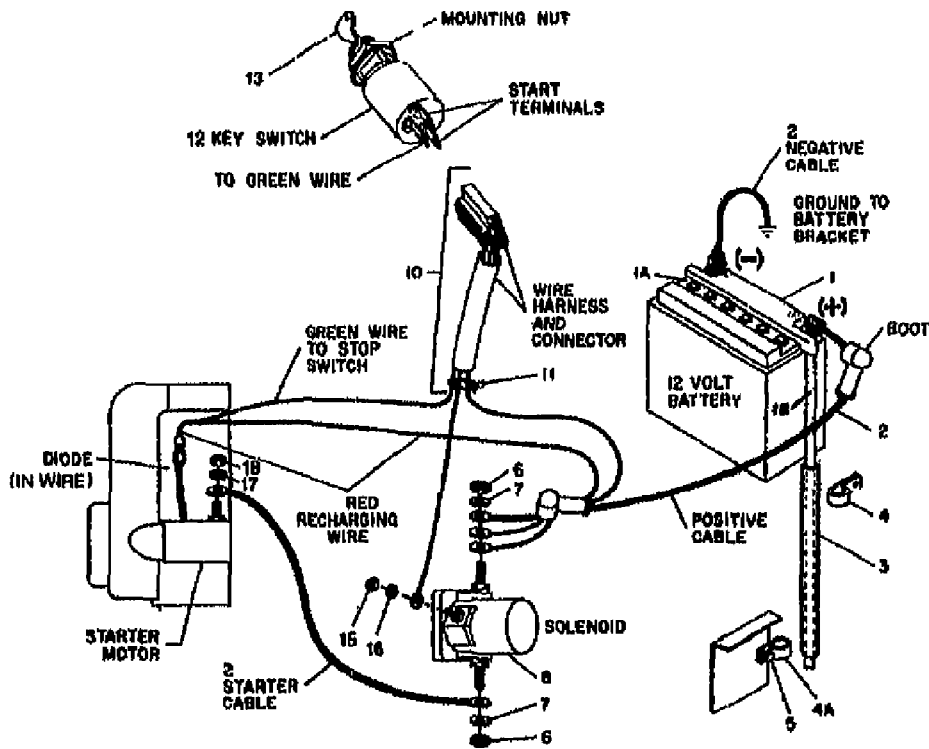
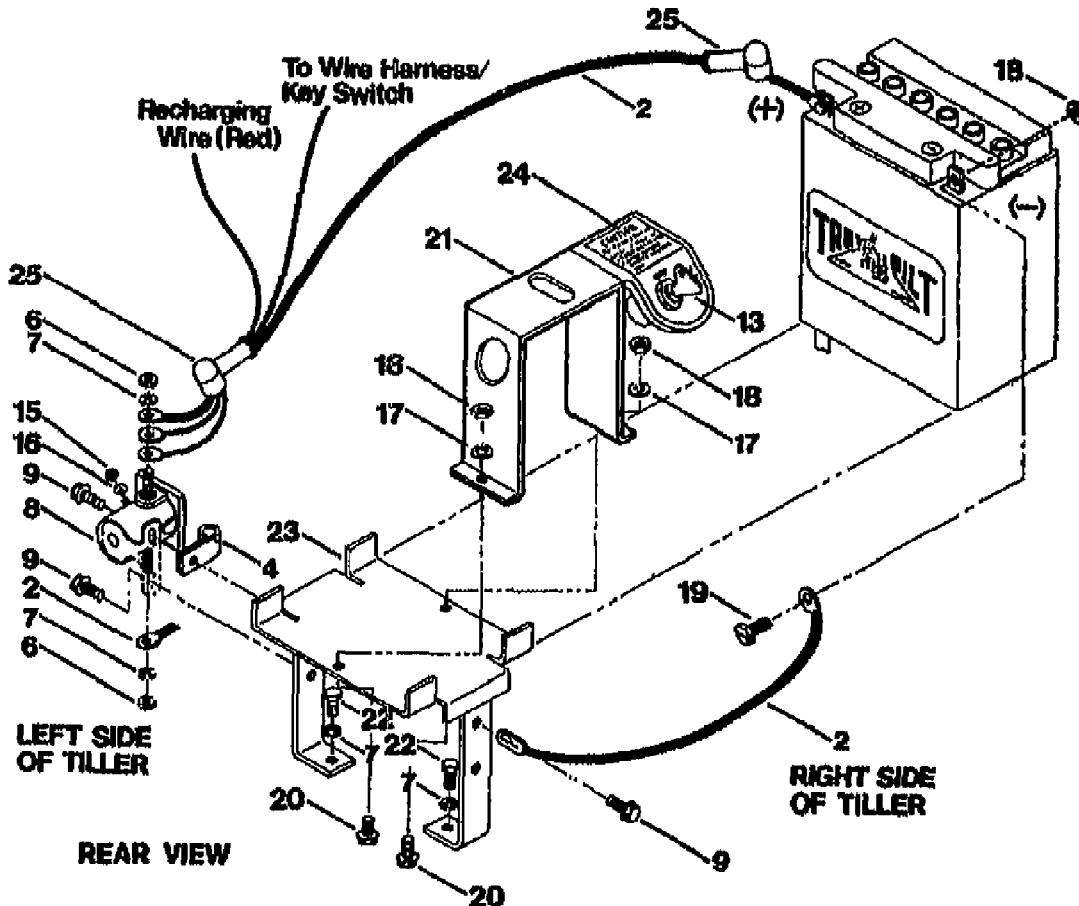


ELECTRIC START ASSEMBLY



BATTERY MOUNTING BRACKET

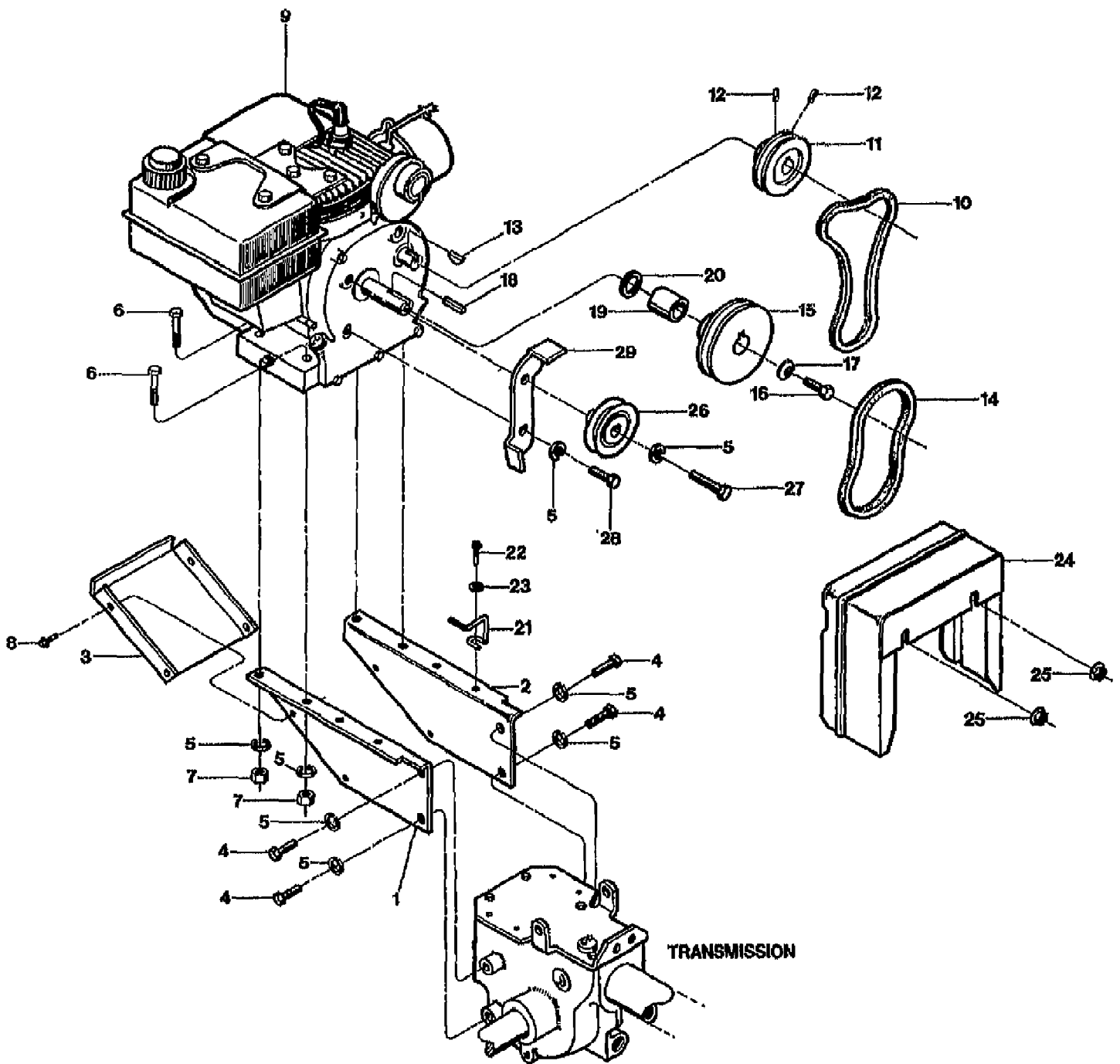


5311 JUNIOR III (3.5HP)(S/N M0067999-M0075089)
ELECTRIC START ASSEMBLY

Page 2 of 19

Ref #	Part Number	Qty	S/P/F	Description
1	9234	0	F	BATTERY 12 volt, 12amp.
1A	9462	0		CAP-YELLOW
1A	9248	0		CAP-BATTERY WHITE (PONY)
1B	9247	0		TUBE-VENT BATTERY/HSE
2	9296	0		CABLE-BATT. (Pos./ Neg. batt. & strtr cables)
3	1475	0		TUBING-RUBBER
4	9224	0		CLAMP (Small vent tube shield)
4A	1479	0		CLAMP (Large vent tube shield)
5	9703	0		SCR-HHC 5/16-18X.75 GR 5 ZP
6	9826	0		NUT-HEX 5/16-24
7	9912	0		WASHER-LK .312 ZP
8	1959	0		KIT-SOL W/HDW
9	9552	0	S	SCR-HWH 1/4-20 X .5 STH
10	1552	0	F	HARNESS-WIRE 6HP
11	9265	0	S	TIE-TWIST LOCK
12	9230	0		KEYSWITCH W/KEYS
13	9243	0		KEYS(1 PAIR) FOR SWITCH
15	9809	0		NUT-HH M10-32X.125
16	9921	0	S	WASHER-EXTERNAL TOOTH 1
17	9910	0		WASHER-LK .25 ZP
18	9800	0		NUT-HEX 1/4-20 ZP
19	9775	0		BOLT-SLHH 1/4-20 X .5
20	9566	0		SCR-CARR 1/4-20X1.25
21	20637	0		PLTE-KEYSWITCH W/DEC-PONY 3
22	9704	0		SCR-HH 5/16-18X1.0 G5 ZP
23	20723	0		BRKT-BATTERY PNT
24	20418	0		DECAL-KEYSWITCH TILLER
25	9255	0		BOOT

5311 JUNIOR III (3.5HP)(S/N M0067999-M0075089)
ENGINE, SUPPORTS, PULLEYS & BELTS



5311 JUNIOR III (3.5HP)(S/N M0067999-M0075089)
ENGINE, SUPPORTS, PULLEYS & BELTS

Page 4 of 19

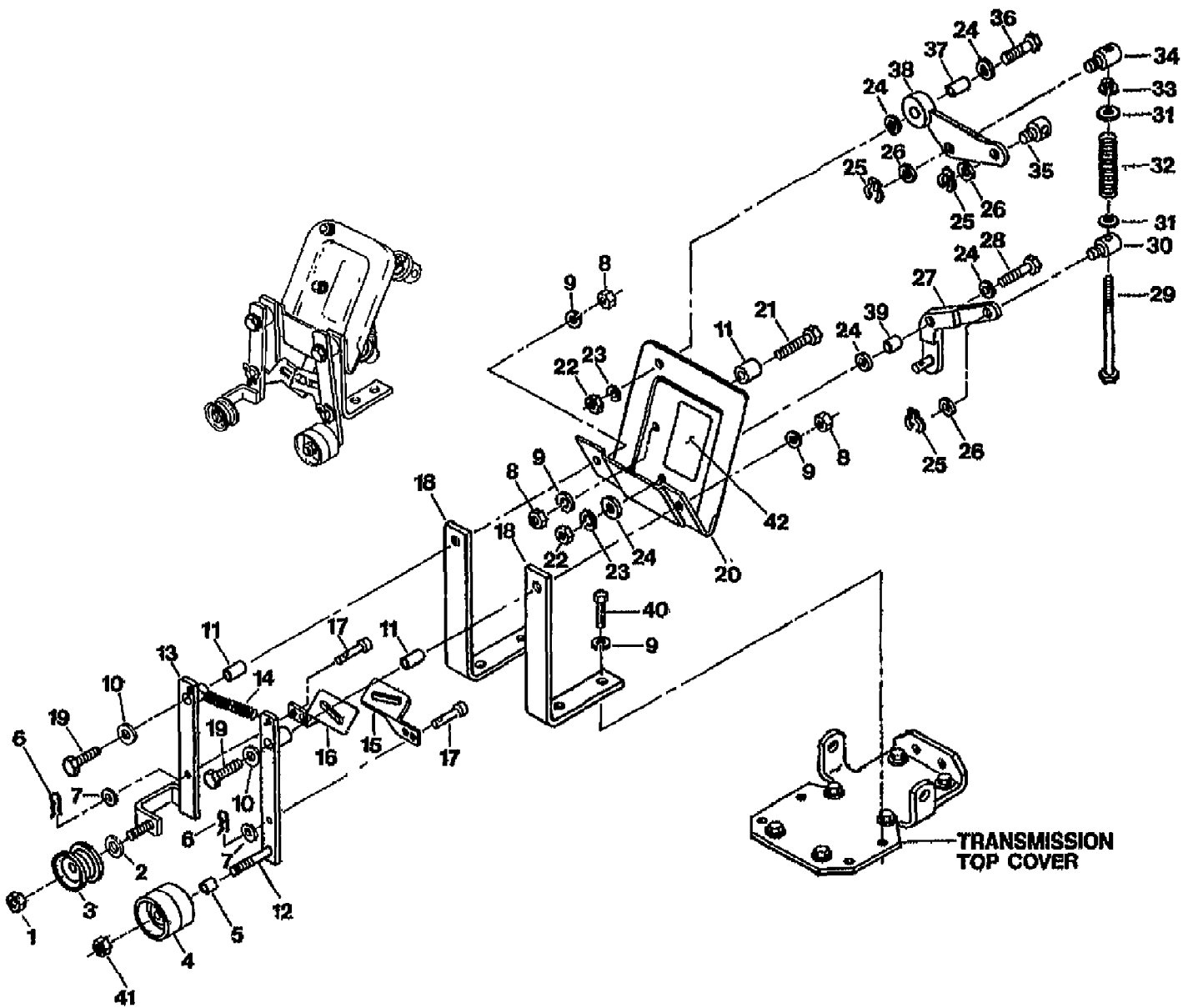
Ref #	Part Number	Qty	S/P/F	Description
1	20754	0		BRKT-ENG LT P4
2	20755	0	S	BRKT-ENG RT PNT
3	20673	0	S	PAN-ENG BRKT PNT
4	9703	0		SCR-HHC 5/16-18X.75 GR 5 (Brackets to Transmission)
5	9912	0		WASHER-LK .312 ZP
6	9758	0		SCR-HH 5/16-18X1.5 G5 ZP
7	9801	0		NUT-HEX 5/16-18 ZP
8	9768	0		SCR-HH SEMS 10-32 X .5 ZP (Sems w/ permanent washer.)
9	0	0		Tecumseh, Model H35, Type 45593S 3 1/2HP Standard Recoil start w/ electronic solid state ignition.
9	0	0		Tecumseh, Model H35, Type 45606S 3 1/2HP Electric start w/ electronic solid state ignition.
10	9095	0		BELT-V (Reverse; see V-Belt Set #11018)
11	50210	0		PULLEY-REVERSE MACH (Engine driven, 1 groove, single belt.)
12	9561	0	S	SCR-SS 1/4-20 X .25 (Secures reverse engine pulley.)
13	9361	0	S	KEY-WOODRUFF #5 (Reverse pulley to reverse PTO shaft)
14	20565	0		BELT-V GROOVE FWD SMFRAME (See V-Belt Set #11018)
15	20765	0		PULLEY-ENGINE MACH (Engine driven, 1 groove single belt)
16	9549	0		SCR-HH 3/8-24X1.0 G5 ZP (Attaches forward pulley)
17	9925	0		WASHER-.994X.413X.145 (disc spring; concave surface faces forward pulley.)
18	9301	0	S	KEY-.188 SQX1.0 (Forward pulley to forward PTO shaft)
19	9046	0		SPACER-.755X.937X1.375 (on forward PTO shaft between shim and forward pulley.)
20	1138-2	0	S	SHIM-1.0X.7656X.031 (On forward PTO shaft between Engine and spacer.)
21	20555	0		GUIDE-BELT FWD
22	9573	0	S	SCR-HWH 1/4-20 X .75 STH
23	9900	0		WASHER-FLAT 1/4 SAE
24	50240	0		COVER - Shields belts and pulleys
25	9848	0		NUT-HFLK 5/16-18 ZP
26	50190	0		IDLER-V-GROOVE (Reverse Idler (Internal bushing type)
27	9708	0		BOLT-HH 5/16-24 X 1.5 ZP
28	9563	0		SCR-HH 5/16-24X.50

5311 JUNIOR III (3.5HP)(S/N M0067999-M0075089)
ENGINE, SUPPORTS, PULLEYS & BELTS

Page 5 of 19

Ref #	Part Number	Qty	S/P/F	Description
29	50198	0		GUIDE-BELT REV PNT
	11018	0		KIT-BELT P/J (Inc. #10 & #14)

5311 JUNIOR III (3.5HP)(S/N M0067999-M0075089)
FORWARD/REVERSE IDLER ASSEMBLY

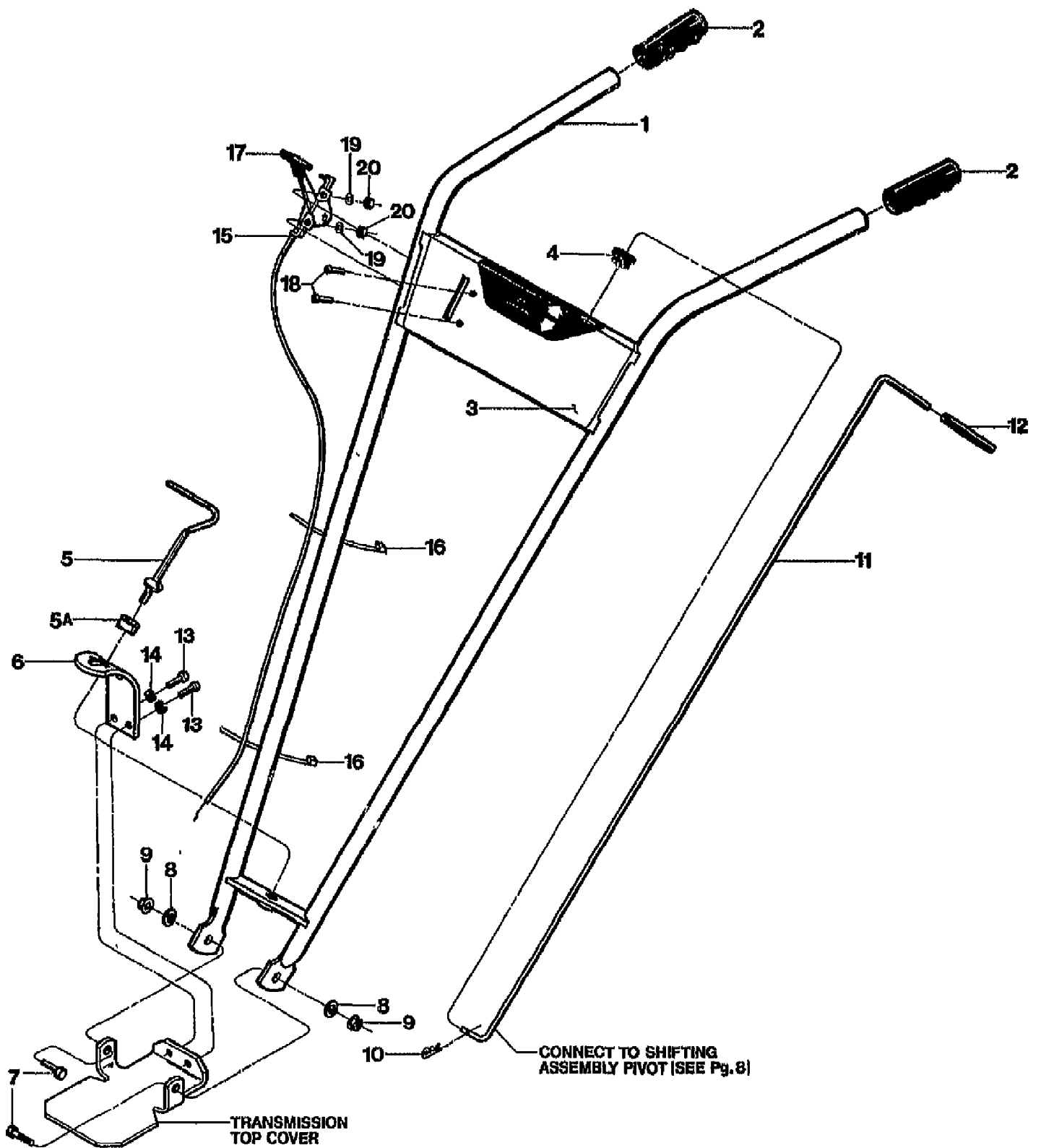


5311 JUNIOR III (3.5HP)(S/N M0067999-M0075089)
FORWARD/REVERSE IDLER ASSEMBLY

Page 7 of 19

Ref #	Part Number	Qty	S/P/F	Description
1	9837	0	S	NUT-LOCK 3/8-16 NYLON ZP
2	20513	0		BUSHING-.54X.38X.08 (Reverse Idler Pulley)
3	9460	0		IDLER-REV (Reverse Tiller Direction)
4	9090	0	S	PULLEY-IDLER FORWARD (Forward Tiller Direction)
5	9091	0		SPACER-IDLER FWD
6	9338	0	S	PIN-CLIP .08
7	9900	0		WASHER-FLAT 1/4 SAE
8	9801	0		NUT-HEX 5/16-18 ZP
9	9912	0		WASHER-LK .312 ZP
10	20545	0	S	WASHER-#.75X.32X.09 ZP
11	9479	0	S	BUSHING-.438X.323X.712
12	20657	0		ARM-IDLER FWD PNT (LT, tiller direction.)
13	20760	0		IDLER-REV (RT, tiller direction.)
14	1492	0	S	SPRING-.436 X 3.25
15	20517-01	0		LINK-FWD
16	20517-02	0		LINK-REV
17	9340	0		PIN-CLEVIS .375X.719 ZP
18	20751	0		MOUNT BAR-PNT (20691)
19	9741	0	S	BOLT-HH 5/16-18 X 2 G5 ZP
20	20622	0		BASE-SHIFTING W/DECAL (Inc. 42)
21	9574	0		SCR-HH 5/16-18X1.25 G5ZP
22	9802	0		NUT-HEX 3/8-16 ZP
23	9913	0		WASHER-LK .375 @ DEPL
24	20553	0	S	SPACER-.88X.385X.09 ZP
25	9515	0		RING-KLIP .500 ZINC
26	20546	0	S	WASHER-#.88X.51X.063 ZP (Pivot)
27	20680	0		BELLCRANK-WELDMENT
28	9712	0		SCR-HH 3/8-16X1.25
29	20552	0		SCR-HH 1/4-20X4.5 G5
30	20504	0		PIVOT-SLIDE
31	20554	0		WASHER (Between lower pivot & spring, & between spring & retaining ring.)
32	20544	0		SPRING-.52 X 3
33	9514	0	S	RING-KLIP 5304-25
34	20505	0		PIVOT-THREADED (Upper)
35	20506	0		PIVOT-ROD (Forward/Neutral/Reverse Lever.)
36	9558	0		BOLT-HH 3/8-16X1.5 FTH ZP
37	9060	0		BUSHING-.5X.38X.665
38	20719	0		RODCRANK
39	20532	0	S	BUSHING-.5X.38X.4 (Bellcrank)
40	9704	0		SCR-HH 5/16-18X1.0 G5 ZP
41	9807	0		NUT-H/LK 3/8-16
42	50112	0		DECAL-BELT WARNING

5311 JUNIOR III (3.5HP)(S/N M0067999-M0075089)
HANDLE BARS, SHIFT & THROTTLE

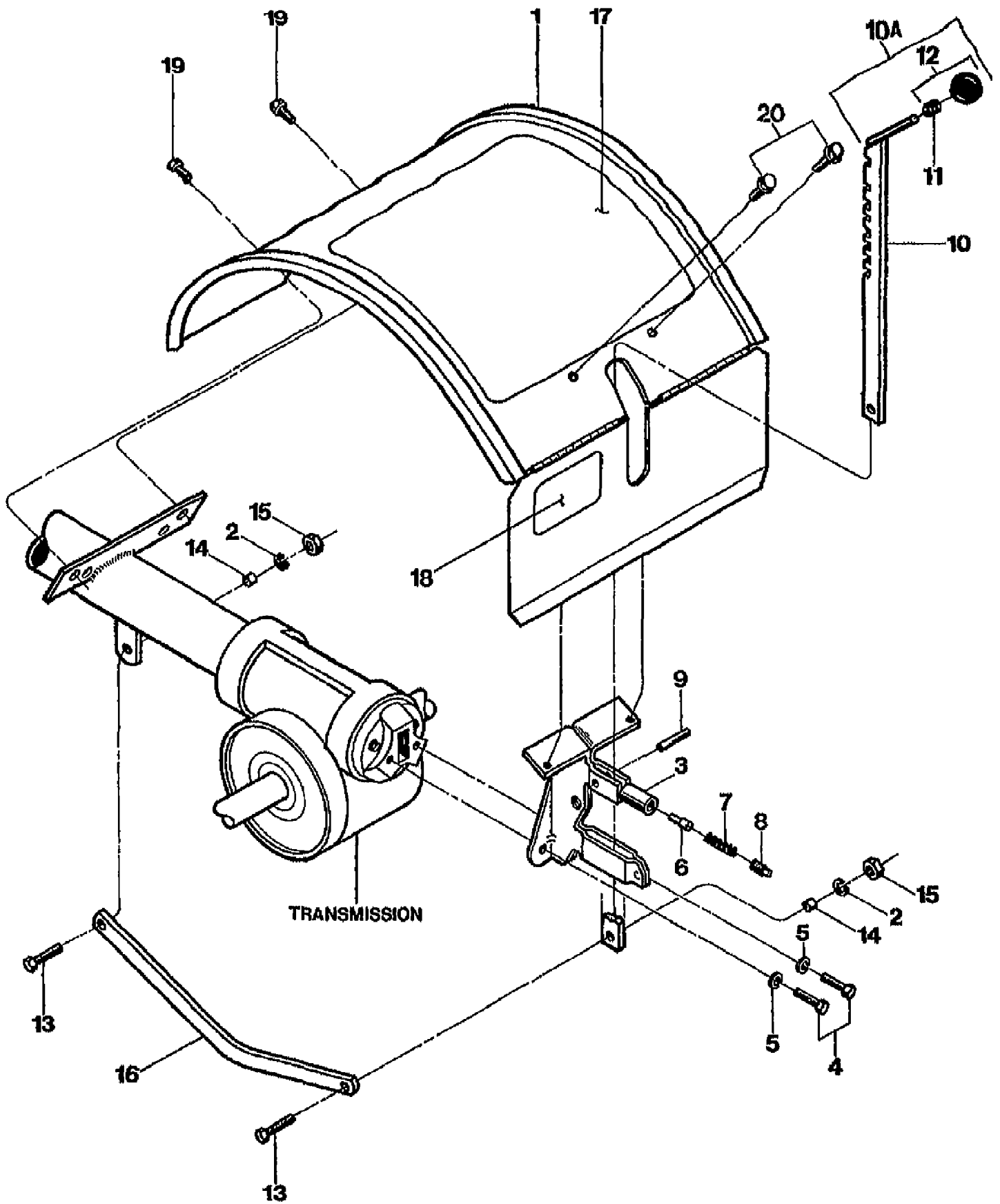


5311 JUNIOR III (3.5HP)(S/N M0067999-M0075089)
HANDLE BARS, SHIFT & THROTTLE

Page 9 of 19

Ref #	Part Number	Qty	S/P/F	Description
1	50233	0		ASSM-HANDLEBAR (Inc. 2-5A)
2	9117	0		GRIP-HANDLEBAR
3	50235	0		DECAL-CONTROL PANEL
4	9211	0		GROMMET-PLASTIC (Part of Operator Control Panel)
5	20703	0		ASSM-STUD H/B (Regulates handlebar height adj.)
5A	9955	0	S	WASHER-1.0X.38X.375 (Keyed, used w/ #5)
6	20753	0		PLATE-HANDLEBAR ADJUST
7	9711	0	F	SCR-HH 3/8-16X1.0 G5 ZP
8	9904	0	S	WASHER-FLAT 3/8 SAE (Handlebar adj.)
9	9837	0	S	NUT-LOCK 3/8-16 NYLON ZP (Handlebar adj.)
10	9338	0	S/F	PIN-CLIP .08
11	20786	0	F	ASSM-DR CONTROL ROD
12	9198	0		GRIP-CONTROL ROD (Forward/Neutral/Reverse Lever)
13	9709	0	F	SCR-HH 3/8-16X.75 G5 ZP
14	9913	0		WASHER-LK .375 @ DEPL
15	9094	0		CABLE-THROTTLE
16	9202	0	S	TIE-RED (To secure throttle controls cable to handlebars.)
17	9212	0	S	KNOB-THROTTLE CABLE
18	9722	0		SCR-RH M10-32X.5 MACH
19	9909	0		WASHER-LK M10
20	9809	0		NUT-HH M10-32X.125

5311 JUNIOR III (3.5HP)(S/N M0067999-M0075089)
HOOD & DEPTH REGULATOR

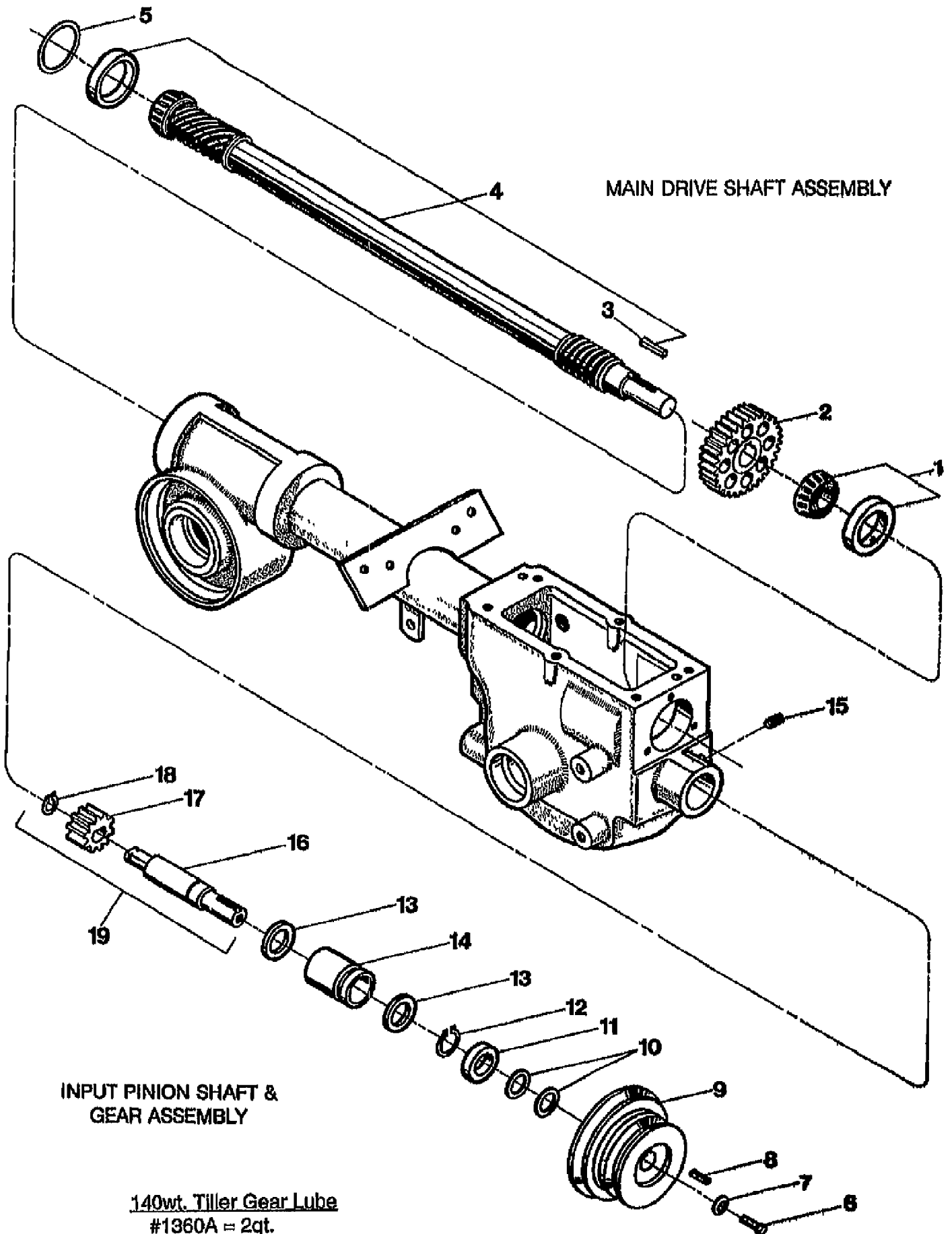


5311 JUNIOR III (3.5HP)(S/N M0067999-M0075089)
HOOD & DEPTH REGULATOR

Page 11 of 19

Ref #	Part Number	Qty	S/P/F	Description
1	50239	0		HOOD W/DECALS P/J (Tine cover w/ hinged flap; Inc. 17 & 18.)
2	9913	0		WASHER-LK .375 @ DEPL
3	2255	0		KIT-REAR HOOD BRKT (Hood & depth reg., Inc 9)
4	9703	0		SCR-HHC 5/16-18X.75 GR 5 ZP (Bracket to rear bearing cap.)
5	9912	0		WASHER-LK .312 ZP
6	1119	0		PLUNGER (Depth reg. locking.)
7	1120	0		SPRING .406 X 1.25 (Depth reg. plunger.)
8	9726	0	S	PLUG-PIPE 1/4 NPT
9	9308	0	S	PIN-ROLL .25 X 1 (Spiral)
10	0	0		BAR ASSEMBLY (Not available separately, see #10A)
10A	1117A	0	S	DEPTH REGULATOR W/KNOB (depth adj.; Inc. 10- 12)
11	9120	0	S	RING-TOLERANCE .5325 ID
12	9119	0	S	KNOB-CONTROL (Depth reg. Inc. #11)
13	9712	0		SCR-HH 3/8-16X1.25
14	1113-1	0	S	BUSHING-.5X.375X.3 (Spacer, Drag Bar)
15	9802	0		NUT-HEX 3/8-16 ZP
16	20775	0	S	DRAG BAR-BENT (Depth reg.)
17	50236	0		DECAL-HOOD INST
18	50098	0		DECAL-TB JR LOGO
19	9553	0	S	SCR-HWH 5/16-18 X .5 STH
20	9552	0	S/F	SCR-HWH 1/4-20 X .5 STH

5311 JUNIOR III (3.5HP)(S/N M0067999-M0075089)
MAIN DRIVE SHAFT & GEAR ASSEMBLIES



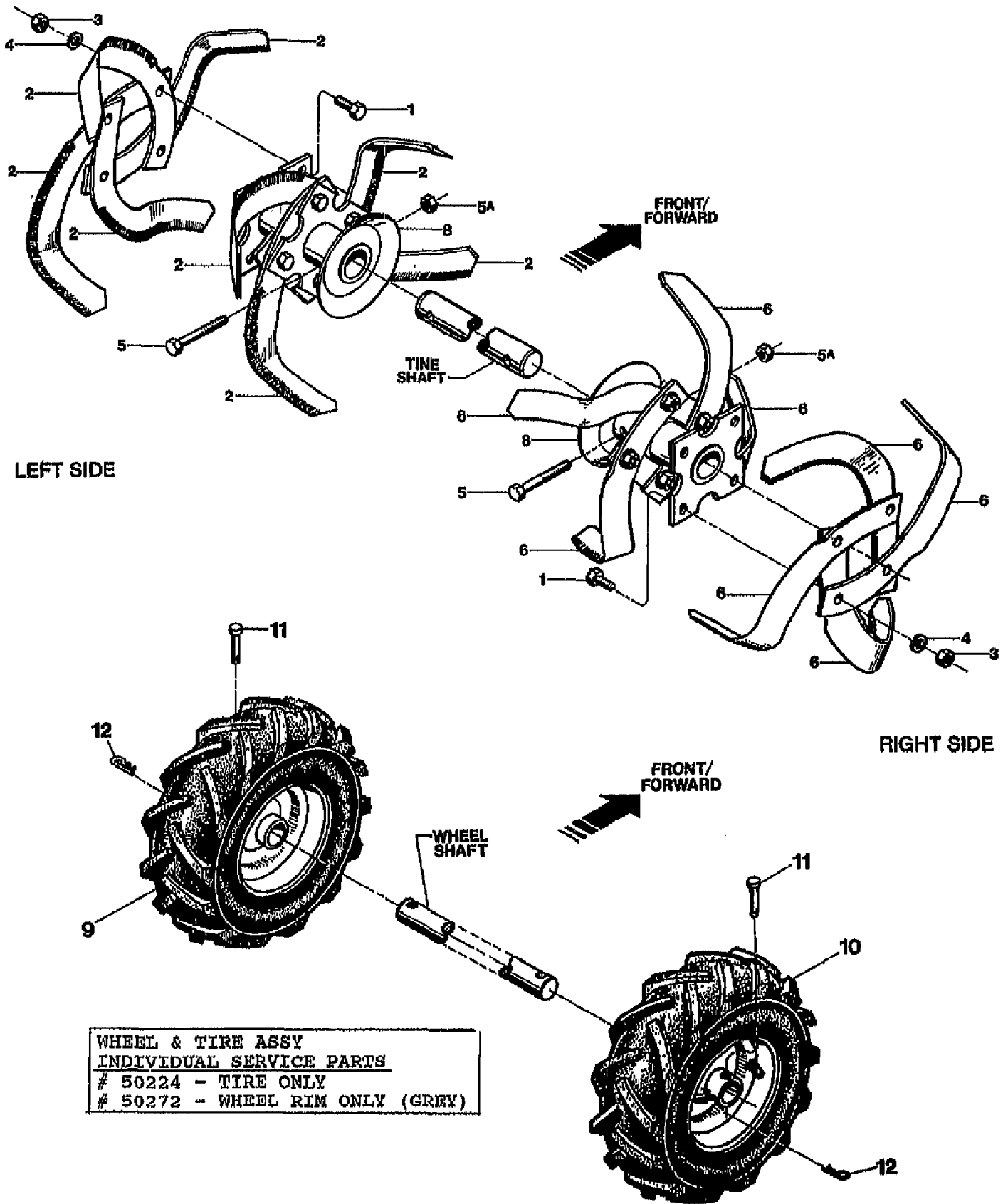
140wt. Tiller Gear Lube
#1360A = 2qt.
#1901964 = 1qt.

5311 JUNIOR III (3.5HP)(S/N M0067999-M0075089)
MAIN DRIVE SHAFT & GEAR ASSEMBLIES

Page 13 of 19

Ref #	Part Number	Qty	S/P/F	Description
1	1714	0	S	KIT-BRG CONE & RACE-DRIVESHAFT
2	20718	0	S	GEAR-SPUR 30 TEETH
3	9301	0	S	KEY-.188 SQX1.0
4	10360	0	F	KIT-DRIVESHAFT
5	1224-1	0	S/F	SHIM-1.75X1.5X.01
5	1224-2	0	S/F	SHIM-1.75X1.5X.03
5	1224-3	0	S/F	SHIM-1.75X1.5X.005
	1325C	0	S	SHIM SET-DRIVESHAFT-HORSE (Inc. 2 #1224-1 & 1224-2, 1 #1224-3.)
6	9655	0	S	SCR-HH 5/16-24X.75 G5 ZP
7	9944	0	S	WASHER-.827X.331X.098 (disc spring, concave surface faces pulley)
8	9301	0	S	KEY-.188 SQX1.0
9	20766	0		PULLEY-TRANS MACH (Trans. drive pulley, 2 grooves 1 for ea.: forward & reverse.)
10	1440	0	S	WASHER # .875 X .65 X .06
11	9600	0		SEAL-PINION SHAFT PT/85030/00
12	9500	0	S	RING-RETAIN EXT .707 ID
13	9953	0	S	WASHER-1.022X.752X .059
14	9428	0	S	BUSHING-1.24X.75X1.8 GRVD
15	9677	0	S	SCR-SS 5/16-18X.375
16	20791	0	S	SHAFT-PINION(P-V)
17	20792	0	S	GEAR-PINION P/M
18	9093	0	S	RING-BOWED EXT .461 ID
19	20799	0	S	PINION W/GEAR&SNAP RING (Inc. #16-18)
	1360A	0		OIL (1901964) 2 QT 140WT
	1901964	0		OIL-GEAR 1 QT 140WT

5311 JUNIOR III (3.5HP)(S/N M0067999-M0075089)
TINES & WHEELS

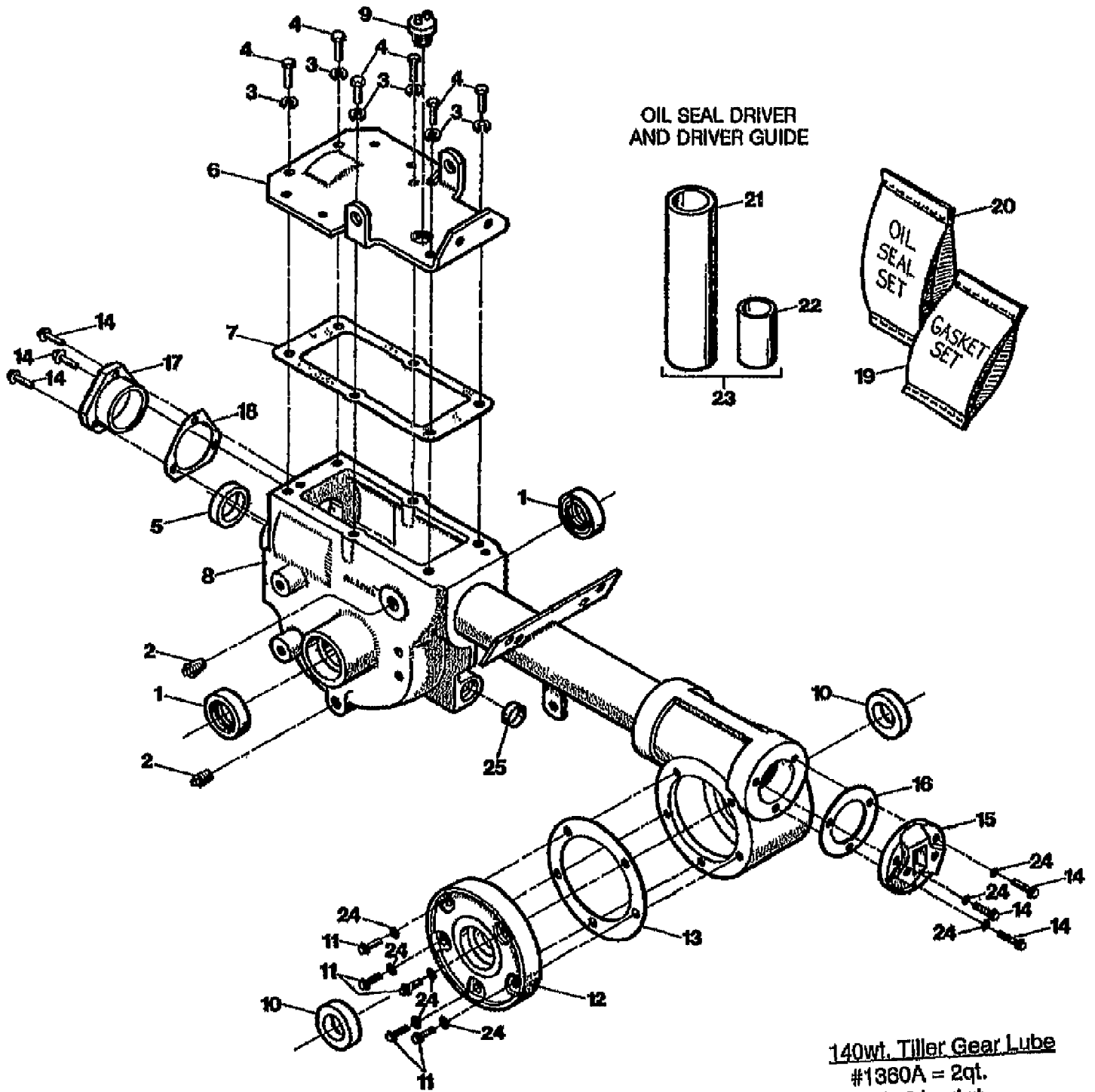


5311 JUNIOR III (3.5HP)(S/N M0067999-M0075089)
TINES & WHEELS

Page 15 of 19

Ref #	Part Number	Qty	S/P/F	Description
1	9711	0		SCR-HH 3/8-16X1.0 G5 ZP
2	50049-01	0	S	TINE-BOLO RIGHT
3	9802	0		NUT-HEX 3/8-16 ZP
4	9913	0		WASHER-LK .375 @ DEPL
5	9761	0		SCR-HH 3/8-16X2.00 G8
5A	9807	0		NUT-H/LK 3/8-16
6	50049-02	0	S	TINE-BOLO LEFT
8	50219	0		HOLDER-TINE JUNIOR
	1901	0	S	TINES-BOLO JUNIOR/TUFFY
9	50223-1	0		ASSM-WHEEL&TIRE LT
10	50223-2	0		ASSM-WHEEL&TIRE
	50224	0		TIRE 3.25-5
	50272	0		RIM-WHEEL 5" GRAY
11	9098	0		PIN-CLEVIS
12	9368	0		PIN-HITCH ZP

5311 JUNIOR III (3.5HP)(S/N M0067999-M0075089)
TRANSMISSION HSG. & SEALS/GASKETS

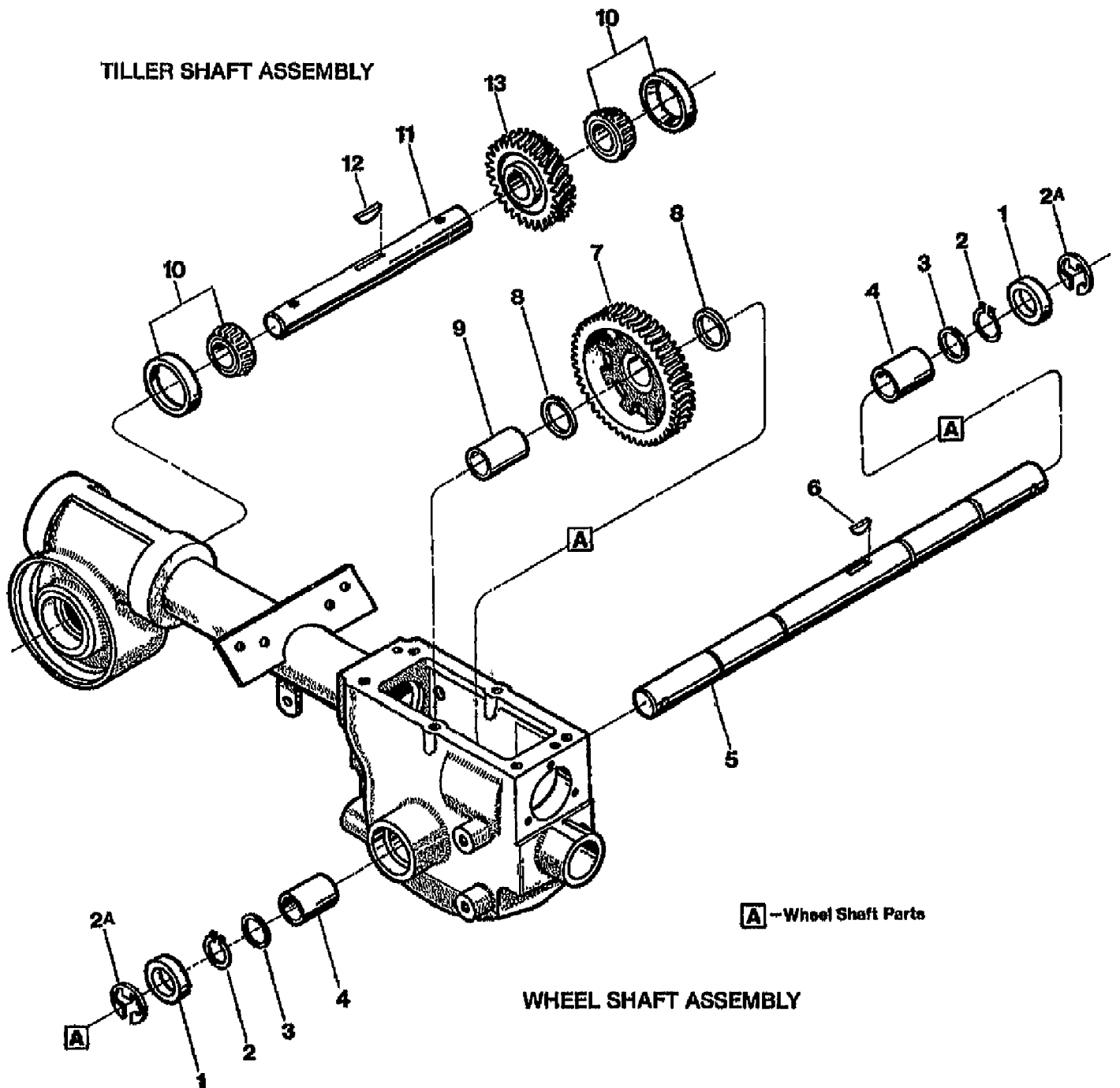


5311 JUNIOR III (3.5HP)(S/N M0067999-M0075089)
TRANSMISSION HSG. & SEALS/GASKETS

Page 17 of 19

Ref #	Part Number	Qty	S/P/F	Description
1	9621	0	S	SEAL-OIL WHEELSHAFT (Double lip, wheel shaft, RT & LT sides.)
2	9726	0	S	PLUG-PIPE 1/4 NPT (Oillevel hole and gear oil drain hole.)
3	9912	0		WASHER-LK .312 ZP (Transmission top cover)
4	9703	0		SCR-HHC 5/16-18X.75 GR 5 ZP (Transmission top cover)
5	9600	0		SEAL-PINION SHAFT PT/85030/00 (Input pinion shaft, front of transmission)
6	20692	0		COVER-TRANS (Top of Transmission)
7	20694	0	S	GASKET-TRANS COVER
8	20778	0		HSG-TRANS P5 A UNIT (Inc. #9429 rear bearing race)
9	9467	0	S	PLUG-OIL FILL 3/4-10 (For gear oil fill hole on transmission cover.)
10	9623	0		SEAL-TILLER SHAFT (LT & RT sides.)
11	9780	0		SCR-HH 1/4-20X.625
12	10812	0	F	COVER-RTH W/SCRs & RACE
13	1129-1	0	S	GASKET-TILLER COVER (Fits all covers)
14	9773	0		SCR-HFLK 1/4-20X.875
15	1115	0		CAP-REAR #1115
16	1124-2	0	S	GASKET-BRG COVER
17	20695	0		COVER-FRONT BEARING
18	20693-2	0		GASKET-FRONT COVER-.010
19	10358	0		GASKET SET-P4 (Inc. 1 #7, 1 #18, 2 # 13, 1 1129-2 .030", 2 #16)
20	10813	0		OIL SEAL SET-PONY V (Inc. 2 #1, 2 #10, 1 #50)
21	4921-1	0	F	DRIVER-PLASTIC (For wheel shaft & tiller shaft oil seals.)
22	4921-2	0	F	SEAL-DRIVER PILOT (To install wheel shaft & tiller shaft oil seals.)
23	4921	0		KIT-DRIVER (Inc. 21 & 22)
24	0	0		WASHER - Nylon, not reusable If bolts w/ these washers are removed, discard washers and apply non- hardening gasket sealant to bolt threads & replace bolts securely.
25	10148	0		OBS-KIT NYLON WASHER (Inc. eight #24)
	9096	0		PLUG-BORE (For bore hole directly beneath the front of the transmission tube.)
	1360A	0		OIL (1901964) 2 QT 140WT
	1901964	0		OIL-GEAR 1 QT 140WT

5311 JUNIOR III (3.5HP)(S/N M0067999-M0075089)
WHEEL & TILLER SHAFT ASSEMBLIES



140wt. Tiller Gear Lube
#1360A = 2qt.
#1901964 = 1qt.

5311 JUNIOR III (3.5HP)(S/N M0067999-M0075089)
WHEEL & TILLER SHAFT ASSEMBLIES

Page 19 of 19

Ref #	Part Number	Qty	S/P/F	Description
1	9621	0	S	SEAL-OIL WHEELSHAFT (LT & RT sides)
2	9511	0	S	RING-HEAVY EXT .906 ID
2A	9512	0	S	RING-RETAINING 5133-989
3	1166-1	0	S	SHIM-1.375X1.015X.062
3	1166-2	0	S	SHIM-1.375X1.015X.03
3	1166-3	0	S	SHIM-1.375X1.015X.015
3	1166-4	0	S	SHIM-1.375X1.015X.01
4	1086	0	S	BUSHING-1.25X1.005X1.5
5	50230	0		ASSM-WHEELSHAFT W/KEY
6	9097	0		KEY-HI PRO .25X.938
7	50217	0		GEAR-MACH
8	1132-3	0	S	SHIM-1.234X1.015X.01
9	50216	0		SPACER-WHEEL SHAFT
10	10805	0		BEARING CUP & CONE
11	20798	0		SHAFT W/KEY (TILLER)
12	1104	0	S	KEY-WOODRUFF .25X1.12
13	20776	0		GEAR-TILLER MACH
	1360A	0		OIL (1901964) 2 QT 140WT
	1901964	0		OIL-GEAR 1 QT 140WT