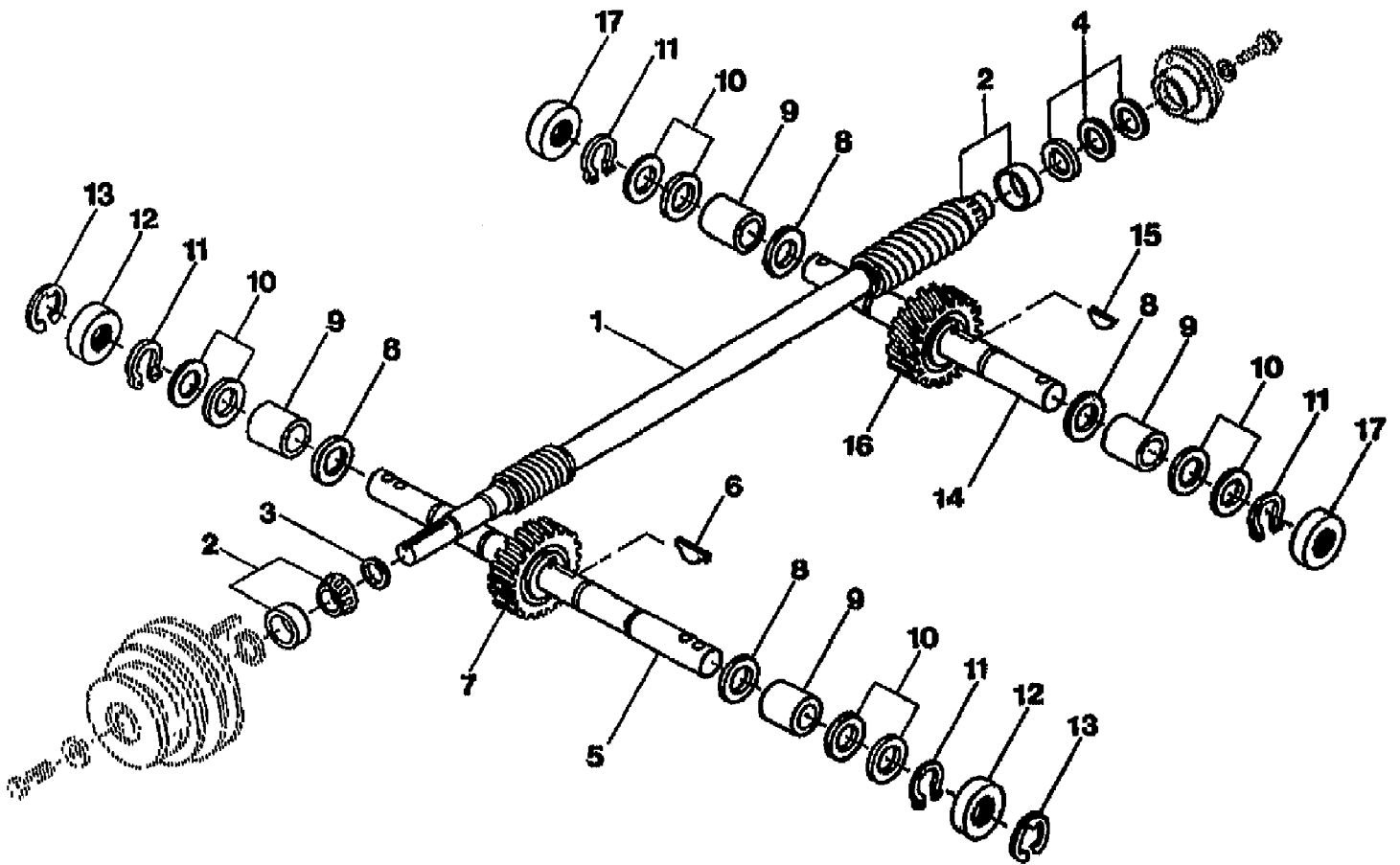


50173 JUNIOR II (3.5HP)(S/N M8204-M0067998)
DRIVE & WHEEL SHAFT ASSEMBLIES



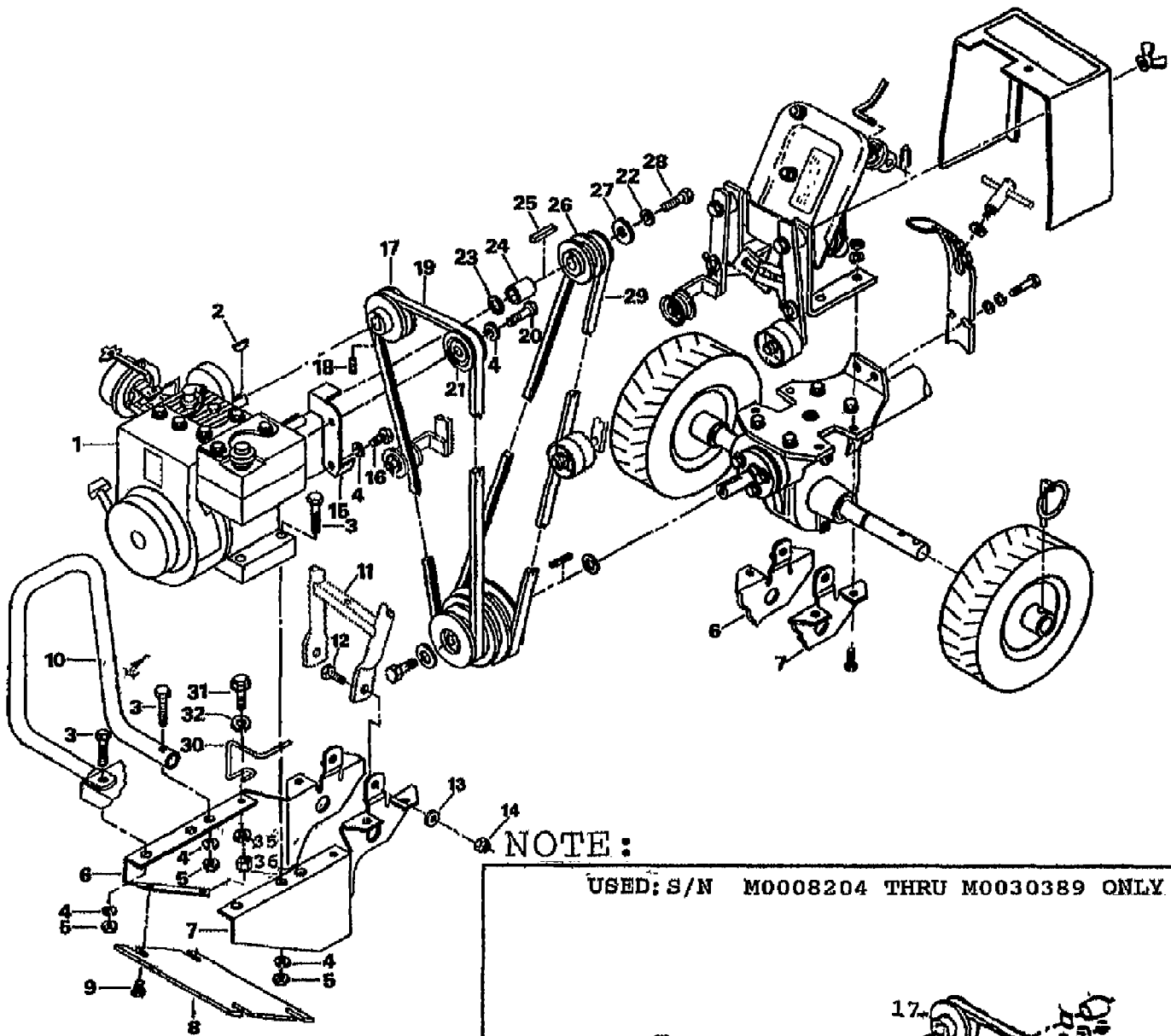
140wt. Tiller Gear Lube
#1360A = 2qt.
#1901964 = 1qt.

50173 JUNIOR II (3.5HP)(S/N M8204-M0067998)
DRIVE & WHEEL SHAFT ASSEMBLIES

Page 2 of 16

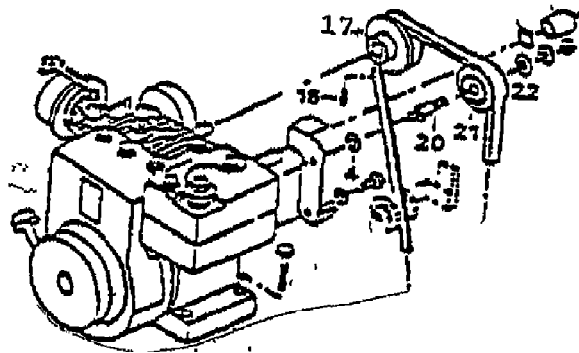
Ref #	Part Number	Qty	S/P/F	Description
1	50165	0		DRIVESHAFT W/BRG-IW (With Rear Bearing Cone pressed on.)
2	1714	0	S	KIT-BRG CONE&RACE-DRIVESHAFT
3	50043	0	S	WASHER-#1.25X.75X.06 (Drive Shaft)
4	1325C	0	S/F	SHIM SET-DRIVESHAFT-HORSE
5	50105	0		WHEELSHAFT-W/KEY
6	9305	0	S	KEY-HI PRO .25X1.062
7	50041	0		GEAR-WORM 61 TEETH MACH (Wheel Shaft)
8	1132-2	0	S	SHIM-1.234X1.015X.062
9	1086	0	S	BUSHING-1.25X1.005X1.5
10	1166-1	0	S	SHIM-1.375X1.015X.062
10	1166-2	0	S	SHIM-1.375X1.015X.03
10	1166-3	0	S	SHIM-1.375X1.015X.015
10	1166-4	0	S	SHIM-1.375X1.015X.01
11	9511	0	S	RING-HEAVY EXT .906 ID
12	9621	0	S/F	SEAL-OIL WHEELSHAFT
13	9512	0	S	RING-RETAINING 5133-989 (External)
14	50104	0		TILLERSHAFT-W/KEY
15	1104	0	S	KEY-WOODRUFF .25X1.12
16	50042	0	S	GEAR-WORM BRONZE MACH
8	1132-2	0	S	SHIM-1.234X1.015X.062
9	1086	0	S	BUSHING-1.25X1.005X1.5
10	1166-1	0	S	SHIM-1.375X1.015X.062
10	1166-2	0	S	SHIM-1.375X1.015X.03
10	1166-3	0	S	SHIM-1.375X1.015X.015
10	1166-4	0	S	SHIM-1.375X1.015X.01
11	9511	0	S	RING-HEAVY EXT .906 ID
17	9613	0	F	SEAL-OIL TRIPLE LIP
	1360A	0		OIL (1901964) 2 QT 140WT
	1901964	0		OIL-GEAR 1 QT 140WT

50173 JUNIOR II (3.5HP)(S/N M8204-M0067998)
ENGINE, BELT & CARB GUARD



NOTE:

USED: S/N M0008204 THRU M0030389 ONLY

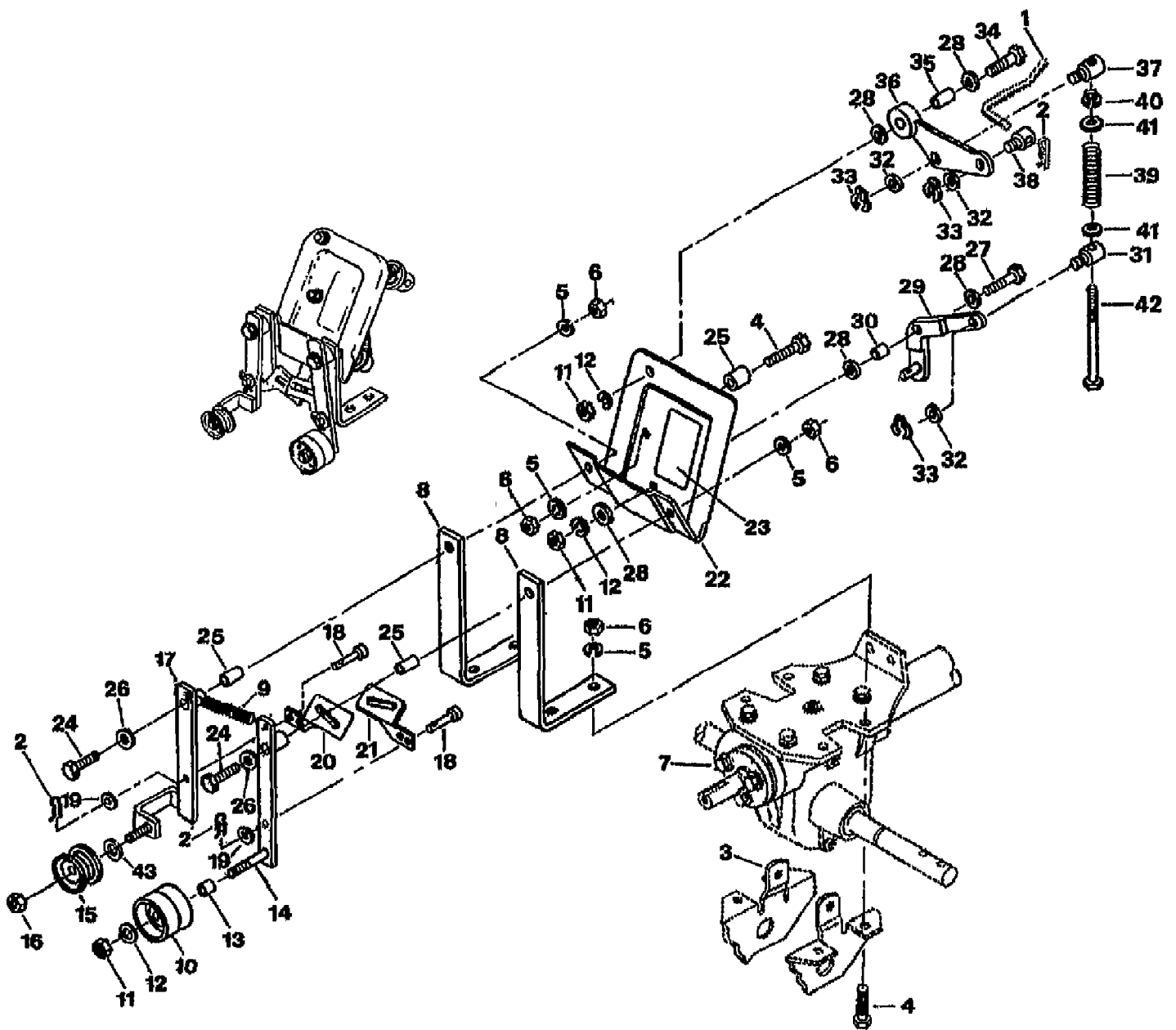


50173 JUNIOR II (3.5HP)(S/N M8204-M0067998)
ENGINE, BELT & CARB GUARD

Page 4 of 16

Ref #	Part Number	Qty	S/P/F	Description
1	0	0		TECUMSEH ENGINE - 3 1/2HP MODEL H36 TYPE 45593R
2	9361	0	S	KEY-WOODRUFF #5 (Engine Pulley)
3	9758	0	F	SCR-HH 5/16-18X1.5 G5 ZP
4	9912	0	F	WASHER-LK .312 ZP
5	9801	0		NUT-HEX 5/16-18 ZP
6	50211-2	0		BRKT-ENG JR RT W/GUSSET
7	50211-1	0		BRKT-ENG LT JR W/GUSSET
8	50199	0		COVER-ENG BRKT PNT
9	9552	0	S	SCR-HWH 1/4-20 X .5 STH (Used to attach Engine Bracket Cover to Bracket)
10	50195	0	S	GUARD-CARBURETOR PNT
11	50181	0	F	ASSM-HANDLEBAR
12	9711	0		SCR-HH 3/8-16X1.0 G5 ZP (Handlebar Ass'y to Mounting Bracket)
13	9904	0	S	WASHER-FLAT 3/8 SAE
14	9837	0	S	NUT-LOCK 3/8-16 NYLON ZP
15	50198	0		GUIDE-BELT REV PNT
16	9563	0		SCR-HH 5/16-24X.50
4	9912	0		WASHER-LK .312 ZP
17	50210	0		PULLEY-REVERSE MACH (Used with S/N M43277 & later; repl. 50128; used with 18)
17	50128	0	F	PULLEY-REVERSE MACH (used with 18)
18	9561	0	S	SCR-SS 1/4-20 X .25 (For use with 50210 Pulley only; For old style, use 9564)
18	9564	0	F	SCR M10-32X.25 (For old style pulley)
19	50134	0	S	BELT-V (Reverse)
20	9708	0		BOLT-HH 5/16-24 X 1.5 ZP (For Belt Guide Pulley; S/N 90390 & later)
20	50145	0	F	STANDOFF 3/8-16 X 1.88 (Kit #1994)
21	50190	0		IDLER-V-GROOVE (For S/N 30390 only & later)
21	50144	0	F	KIT-REVERSE IDLER-JR2
22	9913	0		WASHER-LK .375 @ DEPL
22	9904	0	S/F	WASHER-FLAT 3/8 SAE
23	1138-1	0	S	SHIM-1.0X.7656X.062
23	1138-2	0	S	SHIM-1.0X.7656X.031
24	50141	0		SPACER-.937X.755X.938
24	9892	0		HEX NUT 3/8-16" (Kit #1994)
25	9302	0		KEY-.188 SQ X 1.25 (Engine Pulley to Shaft)
26	50139	0		PULLEY-ENG MACH
27	9933	0		WASHER-1.25X.375X.1 ZP
28	9562	0		CAP SCREW-HH 3/8-24 X 1 ZP
29	50161	0		BELT-V (Forward)
30	50146	0		GUIDE-BELT FWD
31	9573	0	S	SCR-HWH 1/4-20 X .75 STH
32	9900	0		WASHER-FLAT 1/4 SAE
35	9910	0	F	WASHER-LK .25 ZP
36	9800	0	F	NUT-HEX 1/4-20 ZP

50173 JUNIOR II (3.5HP)(S/N M8204-M0067998)
FORWARD/REVERSE SHIFT ASSEMBLIES

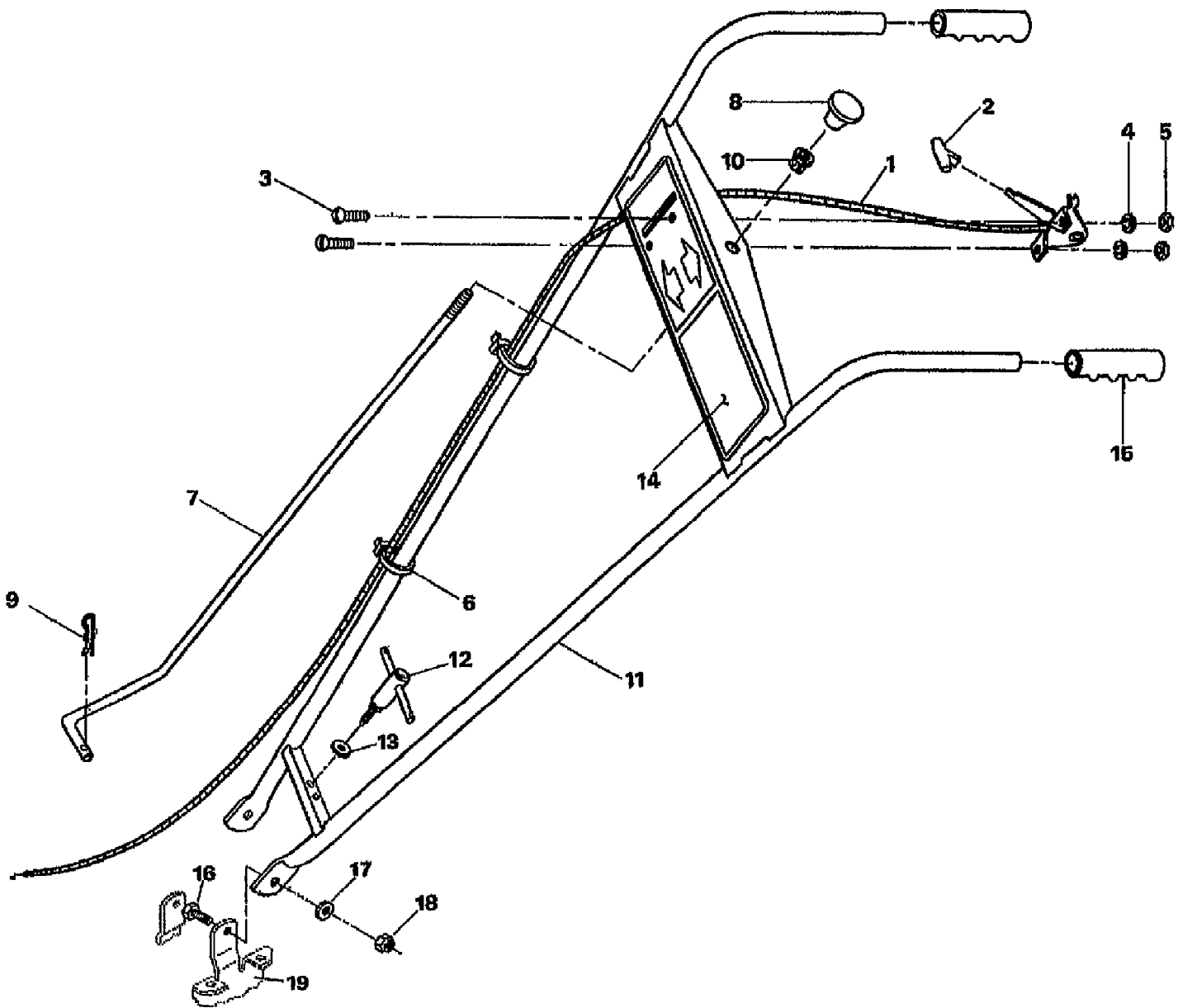


50173 JUNIOR II (3.5HP)(S/N M8204-M0067998)
FORWARD/REVERSE SHIFT ASSEMBLIES

Page 6 of 16

Ref #	Part Number	Qty	S/P/F	Description
1	50170	0	F	ASSM-DR CONTROL ROD
2	9338	0	S	PIN-COTTER .08 (2 also used w/ adj. shifting links.)
3	50211-2	0	F	BRKT-ENG JR RT W/GUSSET
4	9574	0	F	SCR-HH 5/16-18X1.25 G5ZP
5	9912	0	F	WASHER-LK .312 ZP
6	9801	0	F	NUT-HEX 5/16-18 ZP
7	1953	0	F	TRANS-REPLACE JR 2
8	50197	0		BAR-MTG PNT
9	1492	0	S	SPRING-.436 X 3.25
10	9193	0		PULLEY-FWD IDLER
11	9802	0		NUT-HEX 3/8-16 ZP
12	9913	0		WASHER-LK .375 @ DEPL
13	1113-1	0	S	BUSHING-.5X.375X.3
14	20528	0		ARM-IDLER FWD PNT
15	9460	0		IDLER-REV (Use with P/N 9807 Locknut)
16	9837	0	S/F	NUT-LOCK 3/8-16 NYLON ZP
17	20525	0		ASSM-IDLER REV @ DEPL
18	9340	0		PIN-CLEVIS .375X.719 ZP
19	9900	0		WASHER-FLAT 1/4 SAE
2	9338	0	S	PIN-CLIP .08
20	20517-02	0		LINK-REV
21	20517-01	0		LINK-FWD
22	20498	0		BASE-SHIFTING (Forward/Reverse - inc. # 23)
23	50112	0		DECAL-BELT WARNING
24	9678	0		BOLT-HH 5/16-18 X 2 G5 ZP
25	9479	0	S	BUSHING-.438X.323X.712
26	20545	0	S	WASHER-#.75X.32X.09 ZP
27	9712	0		SCR-HH 3/8-16X1.25
28	20553	0	S	SPACER-.88X.385X.09 ZP
29	20680	0		BELLCRANK-WELDMENT
30	20532	0	S	BUSHING-.5X.38X.4
31	20504	0		PIVOT-SLIDE
32	20546	0	S	WASHER-#.88X.51X.063 ZP
33	9515	0		RING-KLIP .500 ZINC
34	9713	0		BOLT-HH 3/8-16X1.5 FTH ZP
35	9060	0		BUSHING-.5X.38X.665
36	20719	0		RODCRANK (Use with P/N 9060 Bushing only)
37	20505	0		PIVOT-THREADED
38	20506	0		PIVOT-ROD
39	20544	0		SPRING-.52 X 3
40	9514	0	S	RING-KLIP 5304-25
41	20554	0		WASHER # ZP
42	20552	0		SCR-HH 1/4-20X4.5 G5
43	20513	0		BUSHING-.54X.38X.08

50173 JUNIOR II (3.5HP)(S/N M8204-M0067998)
HANDLE BARS, SHIFT & THROTTLE

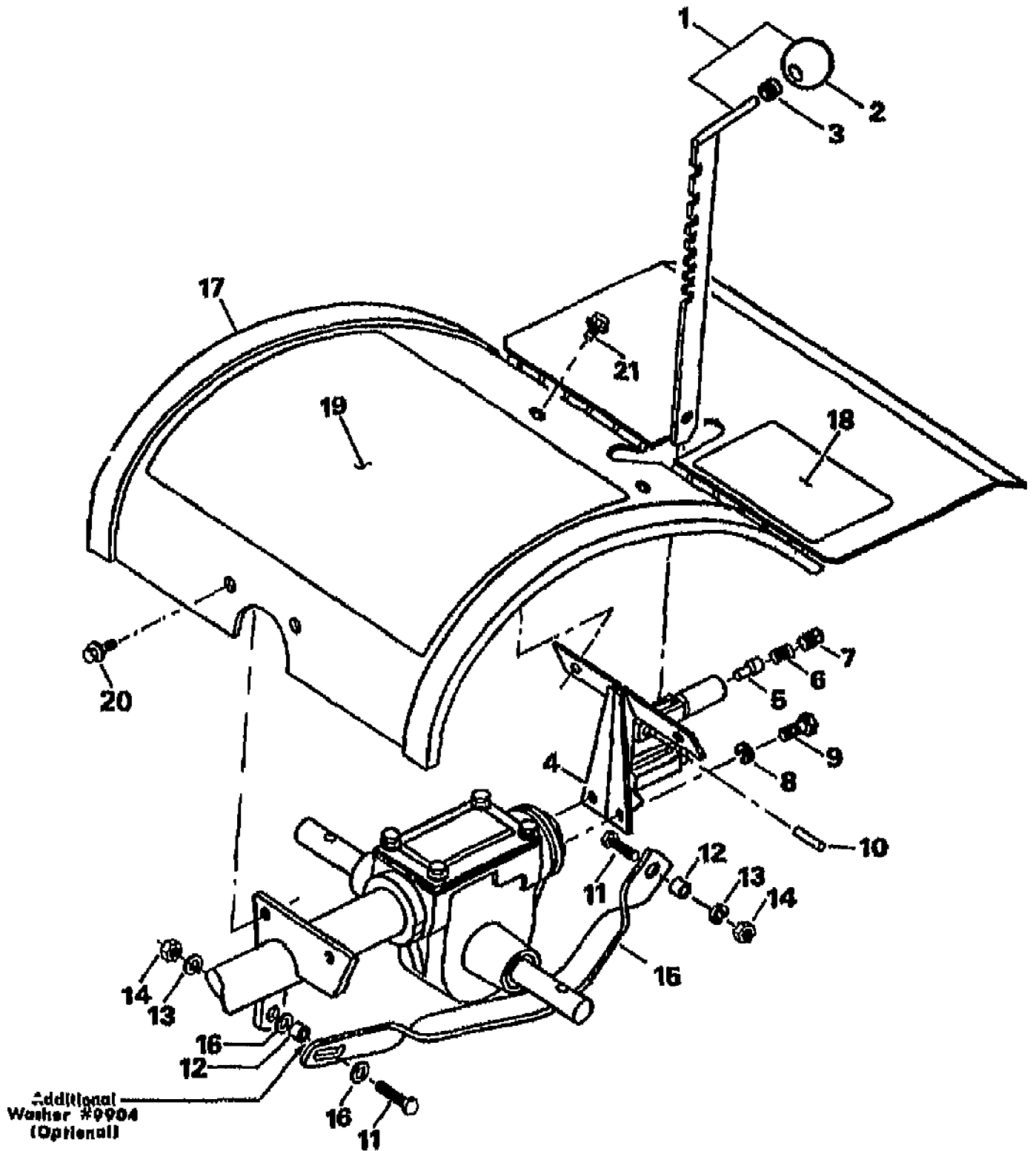


50173 JUNIOR II (3.5HP)(S/N M8204-M0067998)
HANDLE BARS, SHIFT & THROTTLE

Page 8 of 16

Ref #	Part Number	Qty	S/P/F	Description
1	50118	0	S	CABLE-THROTTLE & KNOB (Inc. 2)
2	9212	0	S	KNOB-THROTTLE CABLE
3	9722	0		SCR-RH M10-32X.5 MACH
4	9909	0		WASHER-LK M10
5	9809	0		NUT-HH M10-32X.125
6	9202	0	S	TIE-RED
	50170	0		ASSM-DR CONTROL ROD (Inc. #7 & 8)
7	50154	0		ASSM-DR CONTROL ROD
8	9208	0		KNOB-DRIVE CNTRL ROD
9	9338	0	S	PIN-CLIP .08
10	9211	0		GROMMET-PLASTIC
11	50181	0		ASSM-HANDLEBAR (Inc. 12-14 & 2 #15)
12	50062	0		ASSM-CLAMP
13	9904	0	S	WASHER-FLAT 3/8 SAE
13	50061	0		WASHER-TAB 3/8" (Used on S/N M0008204-M0030389 Only)
14	50194	0		DECAL-CONTROL PANEL (Operating Instructions)
15	9471	0		GRIPS-HANDLEBAR
16	9711	0		SCR-HH 3/8-16X1.0 G5 ZP
17	9904	0	S	WASHER-FLAT 3/8 SAE
18	9837	0	S	NUT-LOCK 3/8-16 NYLON ZP
19	50136	0	F	ENGINE with HANDLEBAR MOUNTING BRACKET

50173 JUNIOR II (3.5HP)(S/N M8204-M0067998)
HOOD & DEPTH REGULATOR

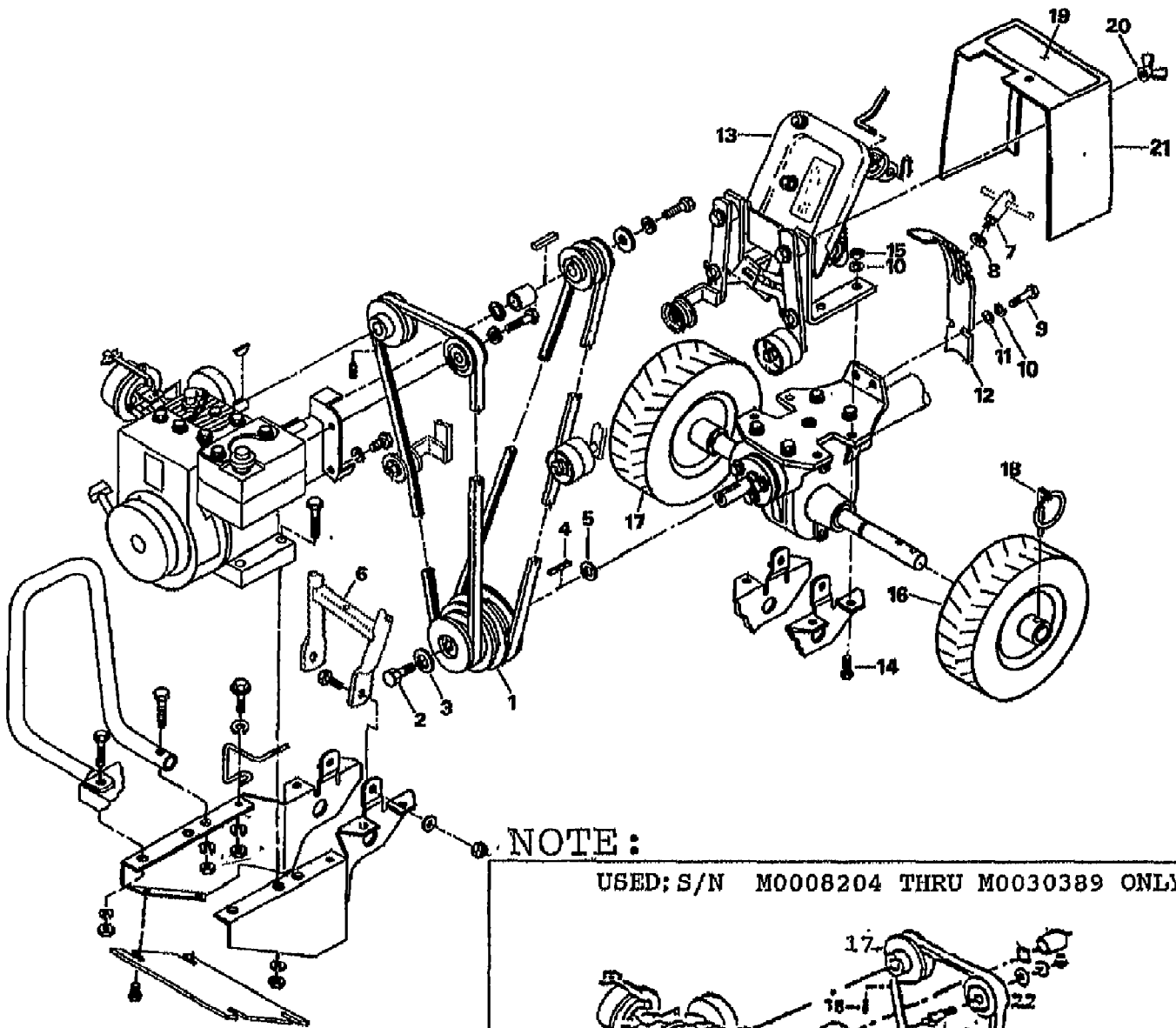


50173 JUNIOR II (3.5HP)(S/N M8204-M0067998)
HOOD & DEPTH REGULATOR

Page 10 of 16

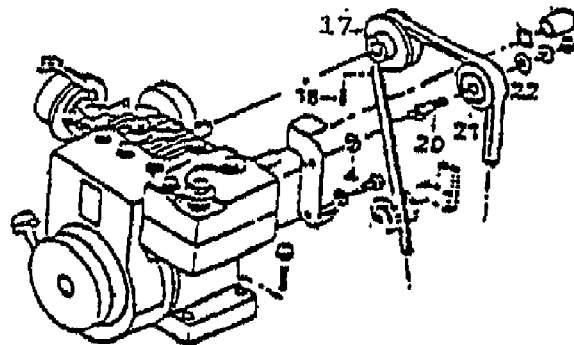
Ref #	Part Number	Qty	S/P/F	Description
1	50185	0		DEPTH REGULATOR W/KNOB (Inc. 2 & 3)
2	9119	0	S	KNOB-CONTROL
3	9120	0	S	RING-TOLERANCE .5325 ID
4	50120	0		ASSM-REAR HOOD BRKT - Depth Reg. & Tiller Hood (Inc. 10)
5	1119	0		PLUNGER - Depth Reg. Locking
6	1120	0		SPRING .406 X 1.25
7	9726	0	S	PLUG-PIPE 1/4 NPT
8	9912	0		WASHER-LK .312 ZP
9	9703	0		SCR-HHC 5/16-18X.75 GR 5 ZP
10	9339	0		PIN-SPIROL .188 X .875
11	9712	0		SCR-HH 3/8-16X1.25
12	1113-1	0	S	BUSHING-.5X.375X.3
13	9913	0		WASHER-LK .375 @ DEPL
14	9802	0		NUT-HEX 3/8-16 ZP
15	50189	0		BAR-DRAG
16	9904	0	S/F	WASHER-FLAT 3/8 SAE
17	50182	0		ASSM-HOOD W/DECALS (Inc. 18-21)
18	50098	0		DECAL-TB JR LOGO
19	50193	0		DECAL-OPER INST (Operating Instructions)
20	9553	0	S	SCR-HWH 5/16-18 X .5 STH
21	9552	0	S	SCR-HWH 1/4-20 X .5 STH
	9904	0	S	WASHER-FLAT 3/8 SAE

50173 JUNIOR II (3.5HP)(S/N M8204-M0067998)
 SHIFT, WHEELS & BELT SHROUDS



NOTE :

USED; S/N M008204 THRU M0030389 ONLY



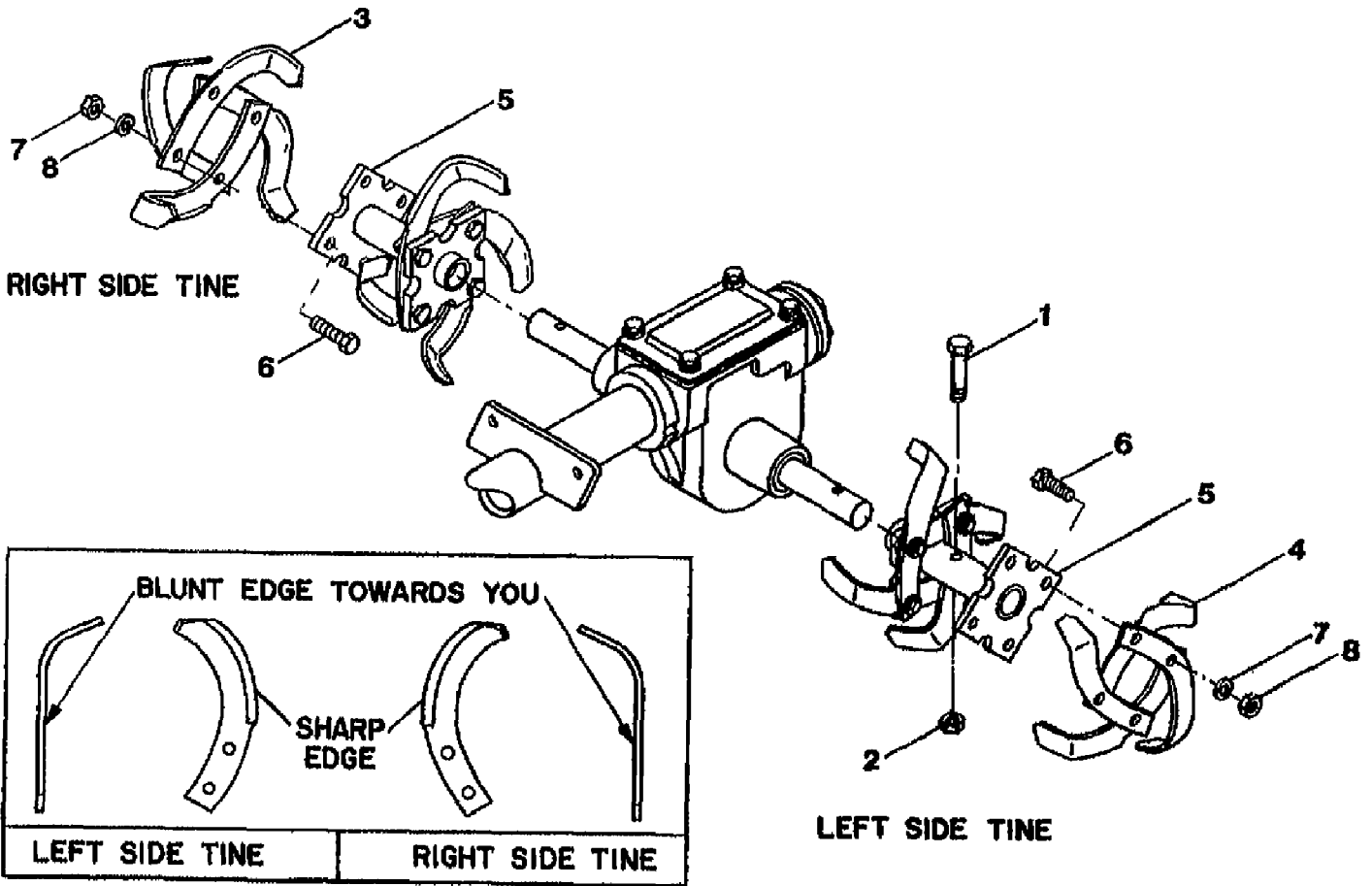
17	50128	PULLEY - Reverse	
18	9564	SETSCREW - #10-32x1/4"	
20	50145	STANDOFF- Reverse Idler	} KIT # 1994
21	50144	PULLEY - V-GROOVE	
22	9904	FLATWASHER 3/8"	
24	9892	HEX NUT 3/8-16	

50173 JUNIOR II (3.5HP)(S/N M8204-M0067998)
SHIFT, WHEELS & BELT SHROUDS

Page 12 of 16

Ref #	Part Number	Qty	S/P/F	Description
1	50140	0		PULLEY-TRANS MACH
2	9655	0	S/F	SCR-HH 5/16-24X.75 G5 ZP
3	9944	0	S/F	WASHER-.827X.331X.098
4	9301	0	S	KEY-.188 SQX1.0
5	50027	0	S	WASHER-SHLDR HARDENED
6	50181	0	F	ASSM-HANDLEBAR
7	50062	0	F	ASSM-CLAMP
8	9904	0	S	WASHER-FLAT 3/8 SAE
9	9703	0		SCR-HHC 5/16-18X.75 GR 5 ZP
10	9912	0		WASHER-LK .312 ZP
11	9902	0		WASHER-FLAT 5/16 SAE
12	50152	0		PLATE-HANDLEBAR ADJUST (Handlebar)
13	50166	0	F	ASSM-SHIFT MECHANISM
14	9574	0	F	SCR-HH 5/16-18X1.25 G5ZP
10	9912	0		WASHER-LK .312 ZP
15	9801	0		NUT-HEX 5/16-18 ZP
16	50045-01	0		ASSM-TIRE&WHL LH GRAY
17	50045-02	0		ASSM-TIRE&WHL RH GRAY
17	50128	0	F	PULLEY-REVERSE MACH
18	9355	0		PIN-QUICK RELEASE ZP
18	9564	0	F	SCR M10-32X.25
19	50167	0		DECAL-BELT POSITION
19	20649	0		DECAL-BELT POSITION
20	9824	0	S	NUT-WING/LK 5/16-18 ZP
20	50145	0	F	STANDOFF 3/8-16 X 1.88 (Kit #1994)
21	50184	0		BELT SHROUD W/DECAL-JR.2
21	50144	0	F	KIT-REVERSE IDLER-JR2 (Kit #1994)
22	9904	0	S/F	WASHER-FLAT 3/8 SAE
?24	9892	0	F	HEX NUT 3/8-16"

50173 JUNIOR II (3.5HP)(S/N M8204-M0067998)
TINE ASSEMBLY

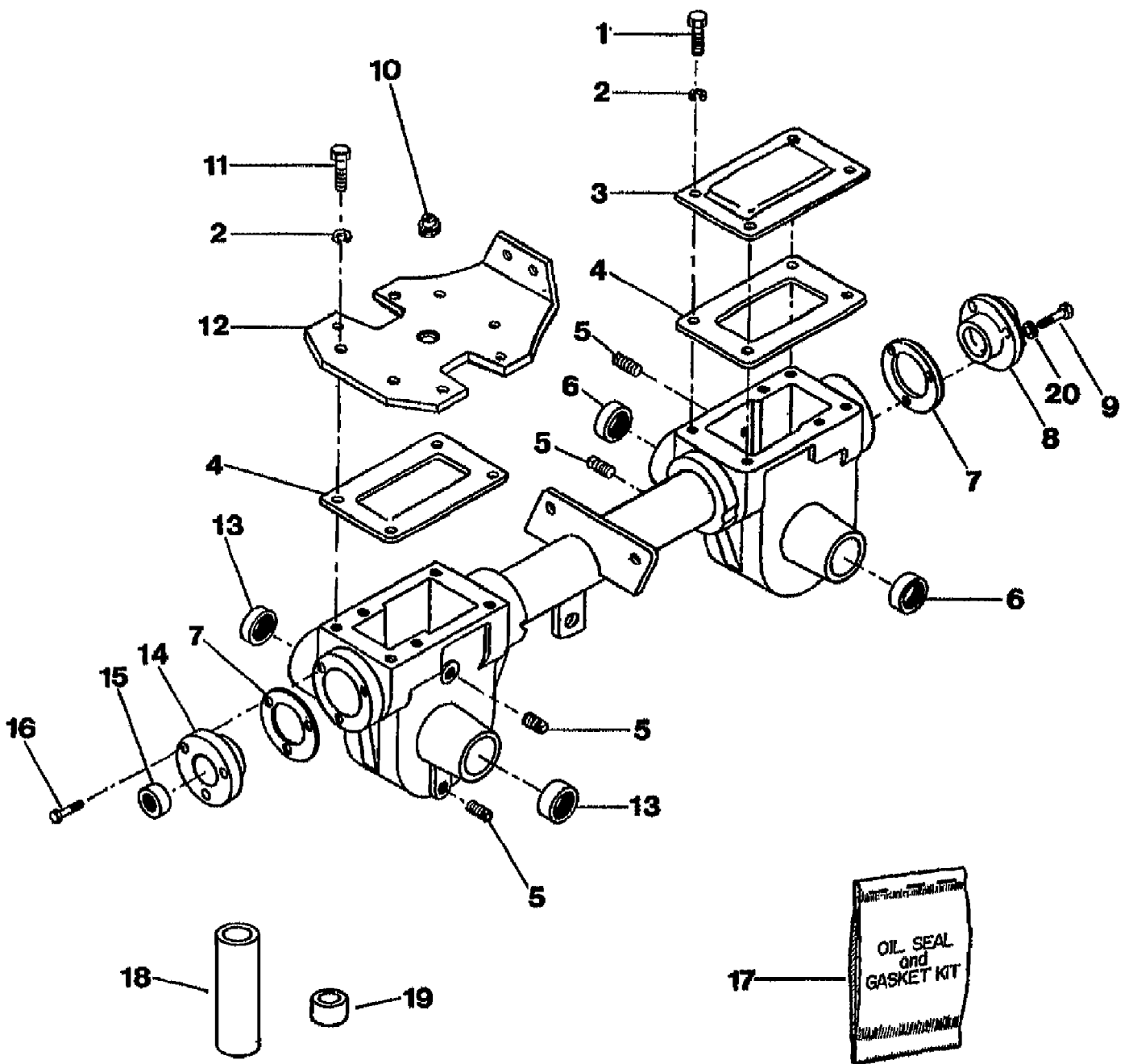


50173 JUNIOR II (3.5HP)(S/N M8204-M0067998)
TINE ASSEMBLY

Page 14 of 16

Ref #	Part Number	Qty	S/P/F	Description
	1900	0		KIT-TINE&HOLDER, Complete, both sides (Inc. 1-8 assembled)
	1901	0	S/F	TINES-BOLO JUNIOR/TUFFY (Inc. 3, 4, 6, 7, 8.)
1	9555	0		BOLT-HH 3/8-16X1.75 G8 ZP
2	9807	0		NUT-H/LK 3/8-16
3	50049-01	0	S	TINE-BOLO RIGHT
4	50049-02	0	S	TINE-BOLO LEFT
5	50046	0		TINE HOLDER-WELD
6	9711	0		SCR-HH 3/8-16X1.0 G5 ZP
7	9913	0		WASHER-LK .375 @ DEPL
8	9802	0		NUT-HEX 3/8-16 ZP

50173 JUNIOR II (3.5HP)(S/N M8204-M0067998)
TRANSMISSION HSG. & SEALS/GASKETS



140wt. Tiller Gear Lube
#1360A = 2qt.
#1901964 = 1qt.

50173 JUNIOR II (3.5HP)(S/N M8204-M0067998)
TRANSMISSION HSG. & SEALS/GASKETS

Ref #	Part Number	Qty	S/P/F	Description
	1953	0		TRANS-REPLACE JR 2 (Complete w/ all gears, shafts, seals, etc.)
1	9550	0		SCR-HH 5/16-18X.5 GD5 YEL (For Tiller Housing Cover)
2	9912	0		WASHER-LK .312 ZP
3	50074	0	S	CVR-TRANS REAR PNT (Tiller Housing)
4	50032	0	S	GASKET-GEAR HSG (Transmission & Tiller Housing Cover)
5	9726	0	S	PLUG-PIPE 1/4 NPT (Oil level & Drain)
6	9613	0		SEAL-OIL TRIPLE LIP (Tiller Housing)
7	1124-2	0	S	GASKET-BRG COVER (Front & Rear)
8	1115	0		CAP-REAR #1115
9	9773	0		SCR-HFLK 1/4-20X.875 (For Rear Bearing Cap)
10	9467	0	S	PLUG-OIL FILL 3/4-10
11	9703	0		SCR-HHC 5/16-18X.75 GR 5 ZP (For Transmission Cover)
12	50138	0		COVER-TRANS MACH
13	9621	0	S	SEAL-OIL WHEELSHAFT
14	2424	0	S	COVER-FRONT
15	9600	0		SEAL-PINION SHAFT PT/85030/00
16	9579	0		SCR-HFLK 1/4-20X.75 G5 ZP (For Front Bearing Cap)
17	1898	0		SEAL & GASKET SET-JR (Inc. 2 #7, 2 #4, 2 #6, 1 #15)
18	4921-1	0	F	DRIVER-PLASTIC
19	4921-2	0		SEAL-DRIVER PILOT (Used with #18)
20	9945	0		WASHER-.36X.25X.03 NYLON
	1360A	0		OIL (1901964) 2 QT 140WT
	1901964	0		OIL-GEAR 1 QT 140WT