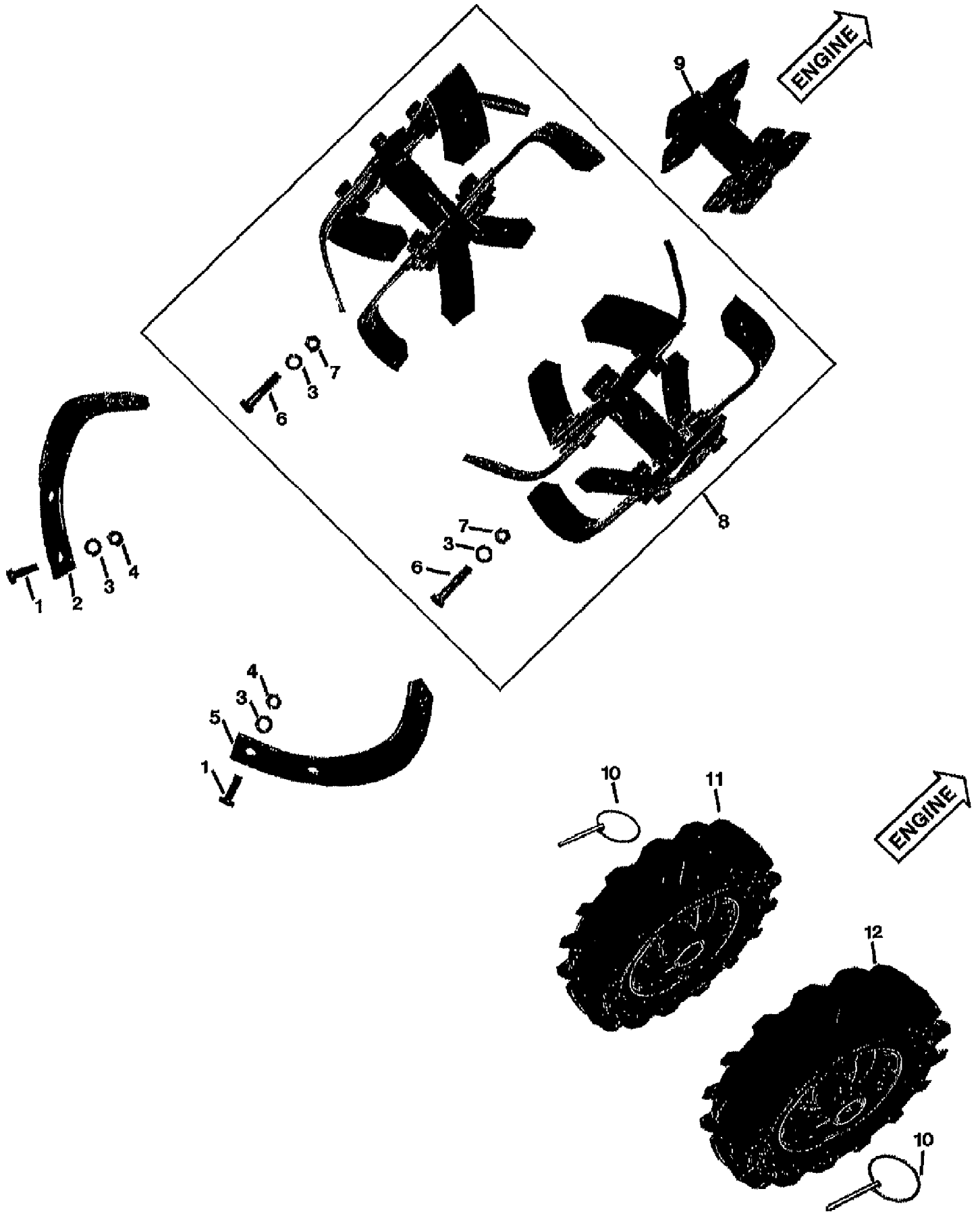


50126 JUNIOR I (3.5HP)(S/N M1274-M8203)
BOLO TINE & WHEEL ASSEMBLIES

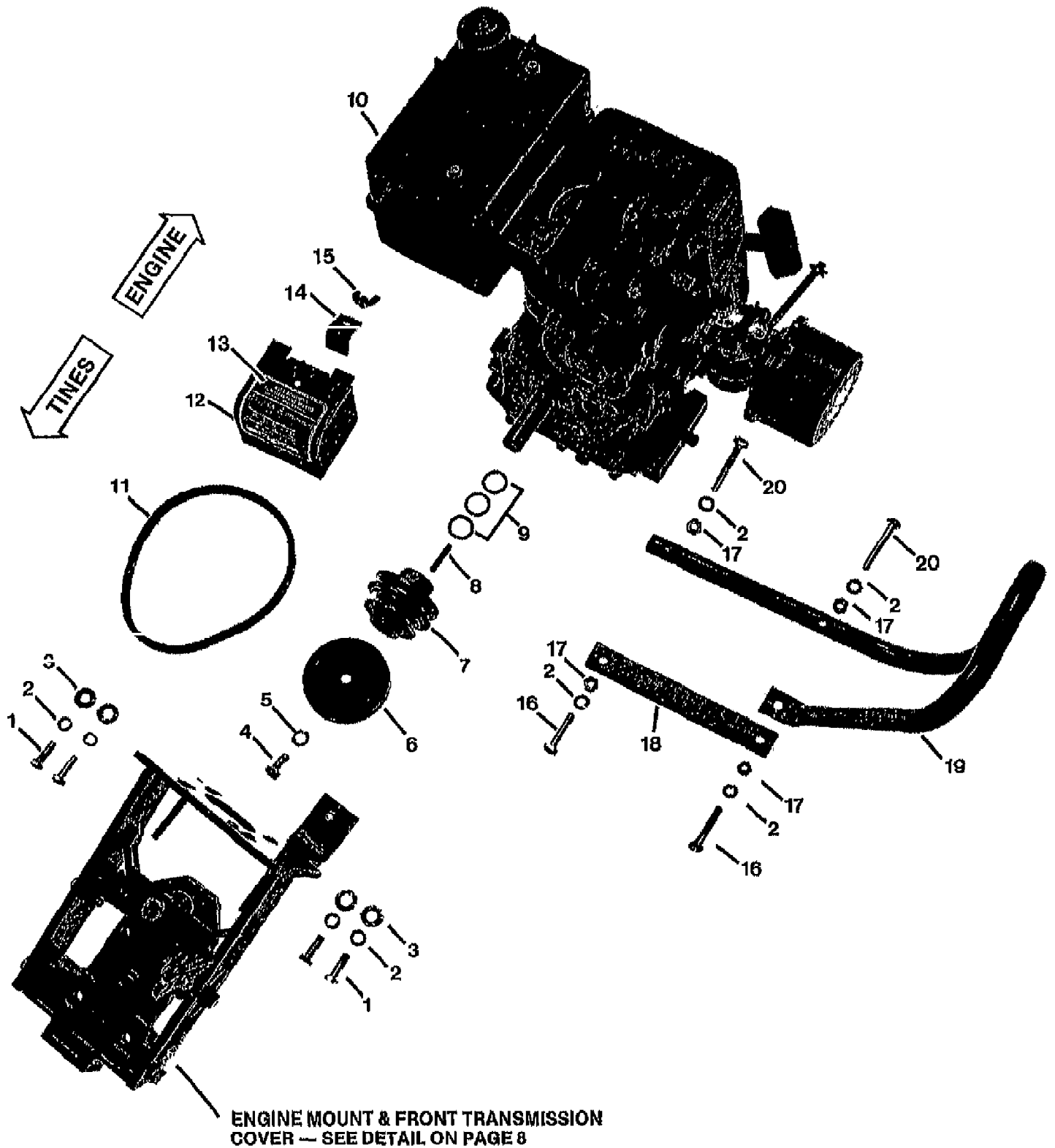


50126 JUNIOR I (3.5HP)(S/N M1274-M8203)
BOLO TINE & WHEEL ASSEMBLIES

Page 2 of 17

Ref #	Part Number	Qty	S/P/F	Description
1	9711	0		SCR-HH 3/8-16X1.0 G5 ZP (Tine mounting)
2	50049-02	0	S	TINE-BOLO LEFT SINGLE
3	9913	0	F	WASHER-LK .375 @ DEPL (SEE ILLUSTRATION)
4	9802	0		NUT-HEX 3/8-16 ZP
5	50049-01	0	S	TINE-BOLO RIGHT
6	9555	0		BOLT-HH 3/8-16X1.75 G8 ZP (Tine holder to tiller shaft)
7	9807	0		NUT-H/LK 3/8-16
8	1900	0	F	KIT-TINE & HOLDER 16 Tines, assembled.
9	50046	0		TINE HOLDER-WELD (FOR Bolo Tines, LT and RT sides)
	1901	0	S/F	TINES-BOLO JUNIOR/TUFFY
10	9355	0		PIN-QUICK RELEASE (Wheel hub to shaft)
11	50045-01	0	F	ASSM-TIRE&WHL LH GRAY
12	50045-02	0	F	ASSM-TIRE&WHL RH GRAY

50126 JUNIOR I (3.5HP)(S/N M1274-M8203)
ENGINE, BELT & CARB GUARD

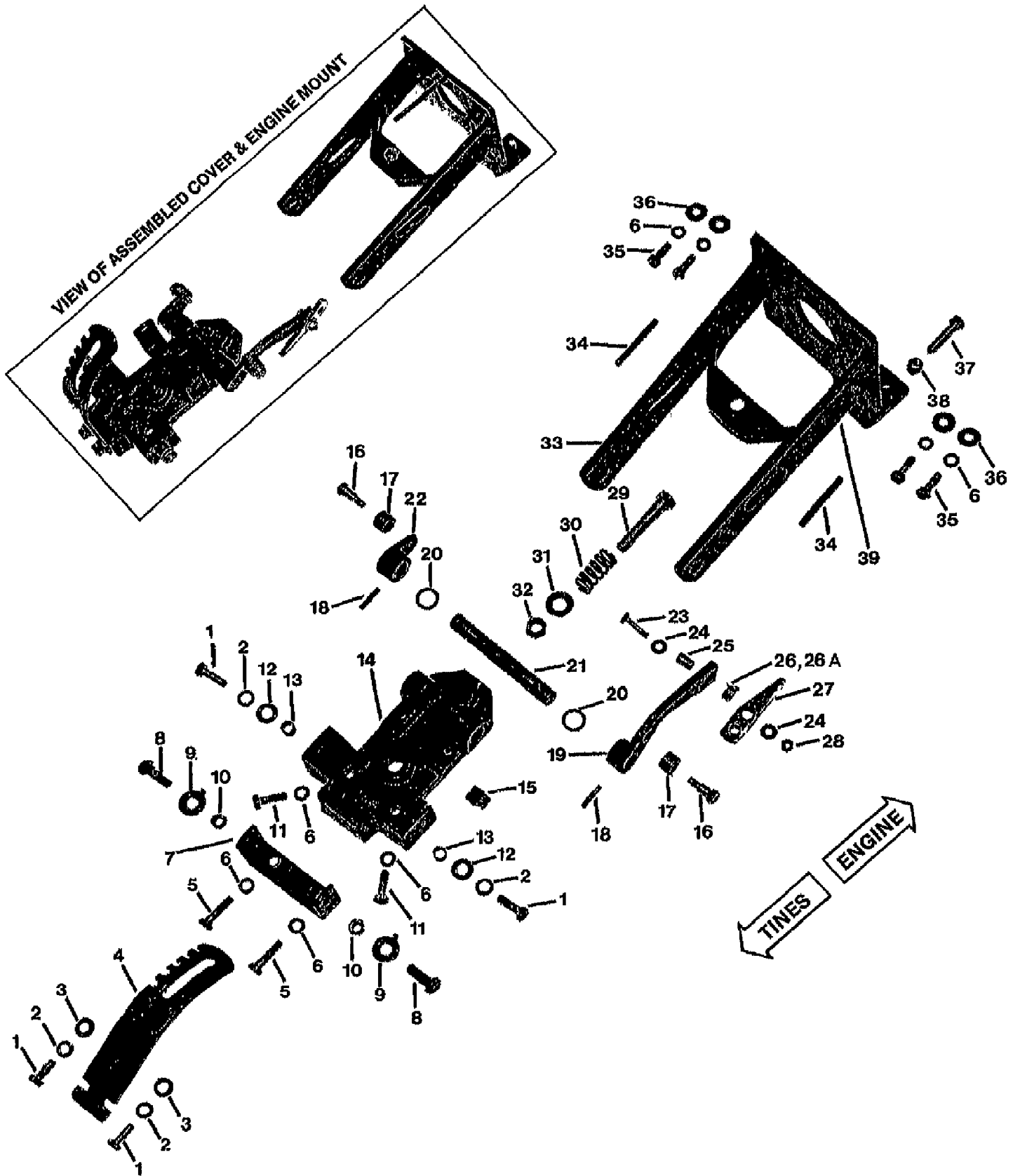


50126 JUNIOR I (3.5HP)(S/N M1274-M8203)
ENGINE, BELT & CARB GUARD

Page 4 of 17

Ref #	Part Number	Qty	S/P/F	Description
1	9707	0		SCR 5/16-24 X 1
2	9912	0		WASHER-LK .312 ZP
3	9901	0		WASHER-.88X312X.08 ZP
4	9797	0		BOLT-HH 3/8-24 X .75 ZP
5	9913	0		WASHER-LK .375 @ DEPL
6	50024	0		DISC-REV
7	50022	0		PULLEY-ENG MACH
8	9302	0		KEY-.188 SQ X 1.25
9	1138-1	0	S	SHIM-1.0X.7656X.062
10	0	0		ENGINE - TECUMSEH INDIVIDUAL ENGINE PARTS FOR YOUR TILLER'S ENGINE ARE NOT LISTED IN THIS CATALOG. ENGINE PARTS ARE AVAILABLE FROM YOU LOCAL TECUMSEH ENGINE SERVICE OUTLET (LOOK IN THE YELLOW PAGES UNDER "ENGINES-GASOLINE."
10	0	0		ENGINE - STANDARD RECOIL START IF YOU CANNOT OBTAIN ENGINE PARTS LOCALLY, PLEASE CONTACT THE OWNER SERVICE DEPARTMENT HERE AT THE TILLER FACTORY. YOUR ENGINE IS COVERED BY THE ENGINE MANUFACTURER'S LIMITED WARRANTY FOR ONE FULL YEAR
10	0	0		ENGINE - 3.5 HP, MODEL H35, AFTER THE DATE YOU RECEIVED YOUR TILLER. DURING THIS TIME, ANY REPAIR WORK SHOULD BE PERFORMED BY THE ENGINE REPAIR DEALER WHO IS AUTHORIZED BY THE MANUFACTURER TO REPAIR YOUR MAKE OF ENGINE.
10	0	0		ENGINE - TYPE 45564N FOR FURTHER DETAILS ON THE ENGINE MANUFACTURER'S LIMITED WARRANTY, PLEASE SEE THE ENGINE OWNER'S MANUAL THAT CAME WITH YOUR TILLER.
11	50028	0		BELT-V
12	50122	0		BELT SHROUD W/DECAL
13	50082	0		DECAL-BELT COVER
14	50068	0		CLIP
15	9822	0		NUT-WING/LK 1/4-20 ZP
16	9759	0		SCR-HH 5/16-18X1.75
17	9801	0		NUT-HEX 5/16-18 ZP
18	50026	0		PAD-ENG JACKING
19	50097	0		GUARD-CARBURETOR PNT
20	9720	0		BOLT-HH 5/16-18X2 ZP

50126 JUNIOR I (3.5HP)(S/N M1274-M8203)
FORWARD/REVERSE SHIFT & ENGINE MOUNT



50126 JUNIOR I (3.5HP)(S/N M1274-M8203)
FORWARD/REVERSE SHIFT & ENGINE MOUNT

Page 6 of 17

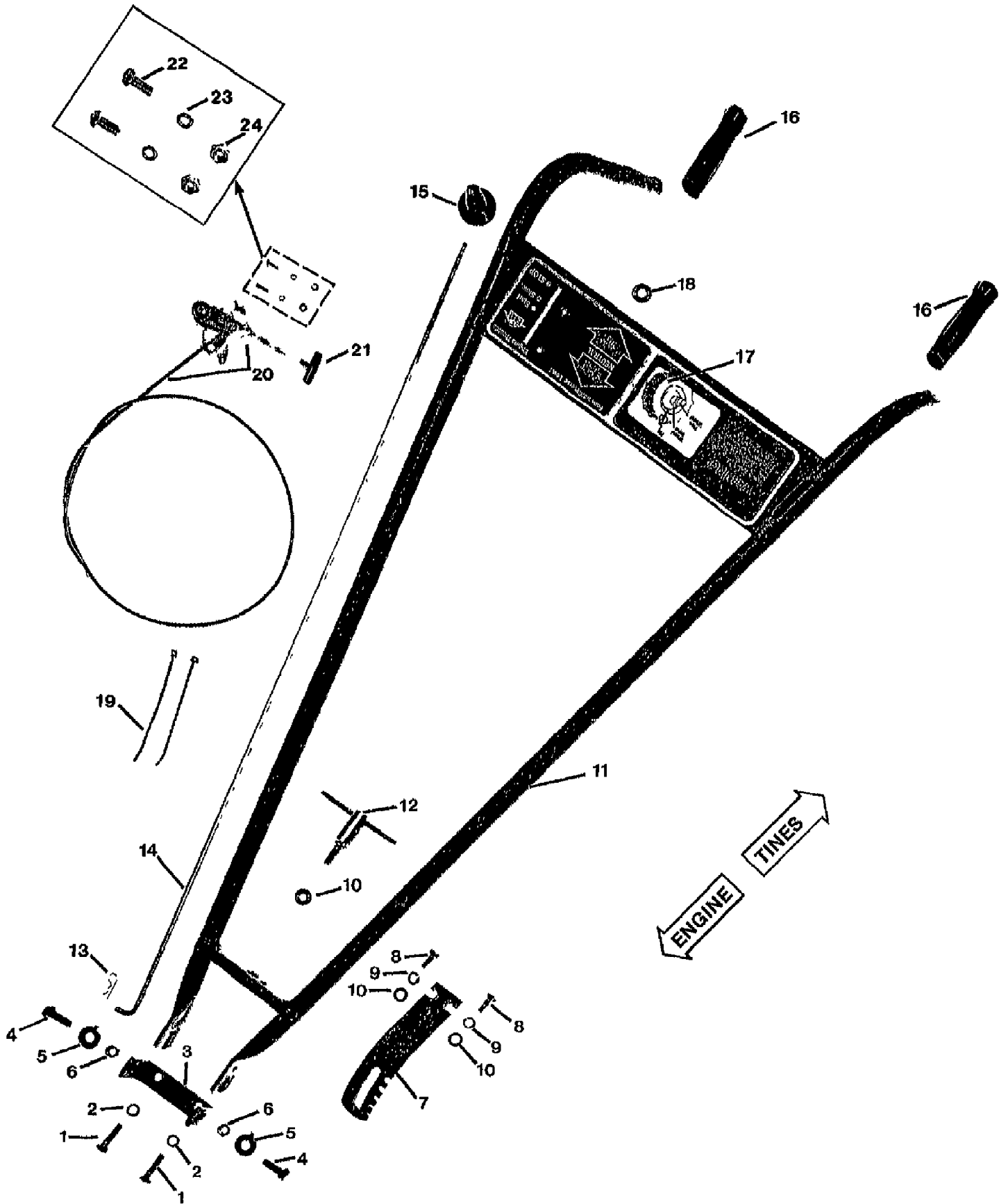
Ref #	Part Number	Qty	S/P/F	Description
1	9710	0	F	SCR-HH 3/8-16X1.0 G5 ZP
2	9913	0		WASHER-LK .375 @ DEPL (See Illustration, used in two places.)
3	9903	0		WASHER-1.0X.438X.104 ZP
4	50060	0	F	PLATE-HANDLEBAR ADJUST
5	9705	0		SCR-HH 5/16-18X1.25 G5ZP (Handlebar attachment bracket to transmission cover.)
6	9912	0		WASHER-LK .312 ZP (See Illustration, used in three places.)
7	50051	0	F	BRKT-HANDLEBAR PIVOT
8	9711	0		SCR-HH 3/8-16X1.0 G5 ZP (Bracket to handle bars.)
9	50061	0		WASHER-TAB #
10	9837	0	S	NUT-LOCK 3/8-16 NYLON ZP
11	9704	0		SCR-HH 5/16-18X1.0 G5 ZP (Front cover to transmission case)
12	9904	0	S	WASHER-FLAT 3/8 SAE
13	50025	0		BUSHING-.5X.375X.375 (Engine mount arms)
14	50031	0		COVER-TRANS MACH
15	9727	0	S	PLUG-PIPE 3/8 NPT (Gear oil fill hole)
16	9556	0		SCR-SH 5/16-18 X .5 ZP (Eccentric arms to engine mount arms)
17	50014	0		ROLLER-ECC (Eccentric arms)
18	9354	0		PIN-ROLL .188 X 1 (Eccentric arms to eccentric shaft)
19	50123	0		ECC W/SPG & ROLL PIN-RT (Inc. #18 & 26)
20	1440	0	S	WASHER # .875 X .65 X .06 (Eccentric shaft)
21	50012	0		SHAFT-ECC MACH (Eccentric)
22	50125	0		ECC-LT MACH (Inc. #18)
23	9734	0		SCR-HH 1/4-20X1.0 ((Eccentric arm to neutral control stop arm)
24	9900	0		WASHER-FLAT 1/4 SAE
25	50018	0		BUSHING-.406X.255X.595 (Neutral Control Arm)
26	50096	0		SPRING-.56 X .4 ZP(Neutral Control Arm FOR S/N 1274 & LATER, DO NOT USE 26A)
26A	50019	0		SPRING-.56X.4 ZP(FOR S/N 1273 & EARLIER, DO NOT USE 26)
27	50017	0		ARM-CONTROL ZP (Neutral stop)
28	9811	0		NUT-LK 1/4-20
29	9798	0		BOLT-HH 1/2-13 X 2.5 ZP(Reverse adjustment)
30	50020	0		SPRING-.685X1.75 (Reverse adjustment)
31	9905	0		WASHER-PLAIN 1/2 ZP
32	9836	0		NUT-LOCK 1/2-13 NYLON INSERT ZP

50126 JUNIOR I (3.5HP)(S/N M1274-M8203)
FORWARD/REVERSE SHIFT & ENGINE MOUNT

Page 7 of 17

Ref #	Part Number	Qty	S/P/F	Description
33	50124	0		BRKT-ENG MTG W/DECAL (Inc. 39 & two #34)
34	9310	0		PIN-SPIROL .25 X 2.5
35	9707	0		SCR 5/16-24 X 1 (Engine mount to engine)
36	9901	0		WASHER-.88X312X.08 ZP
37	9558	0		BOLT-HH 3/8-16X1.5 FTH ZP (Belt adjustment)
38	9802	0		NUT-HEX 3/8-16 ZP
39	50112	0		DECAL-BELT WARNING (Not Illustrated)

50126 JUNIOR I (3.5HP)(S/N M1274-M8203)
HANDLE BARS, SHIFT & THROTTLE

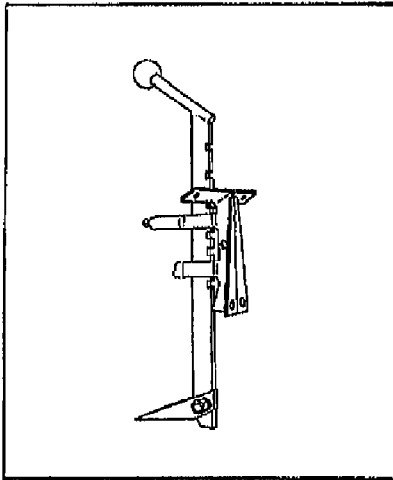


50126 JUNIOR I (3.5HP)(S/N M1274-M8203)
HANDLE BARS, SHIFT & THROTTLE

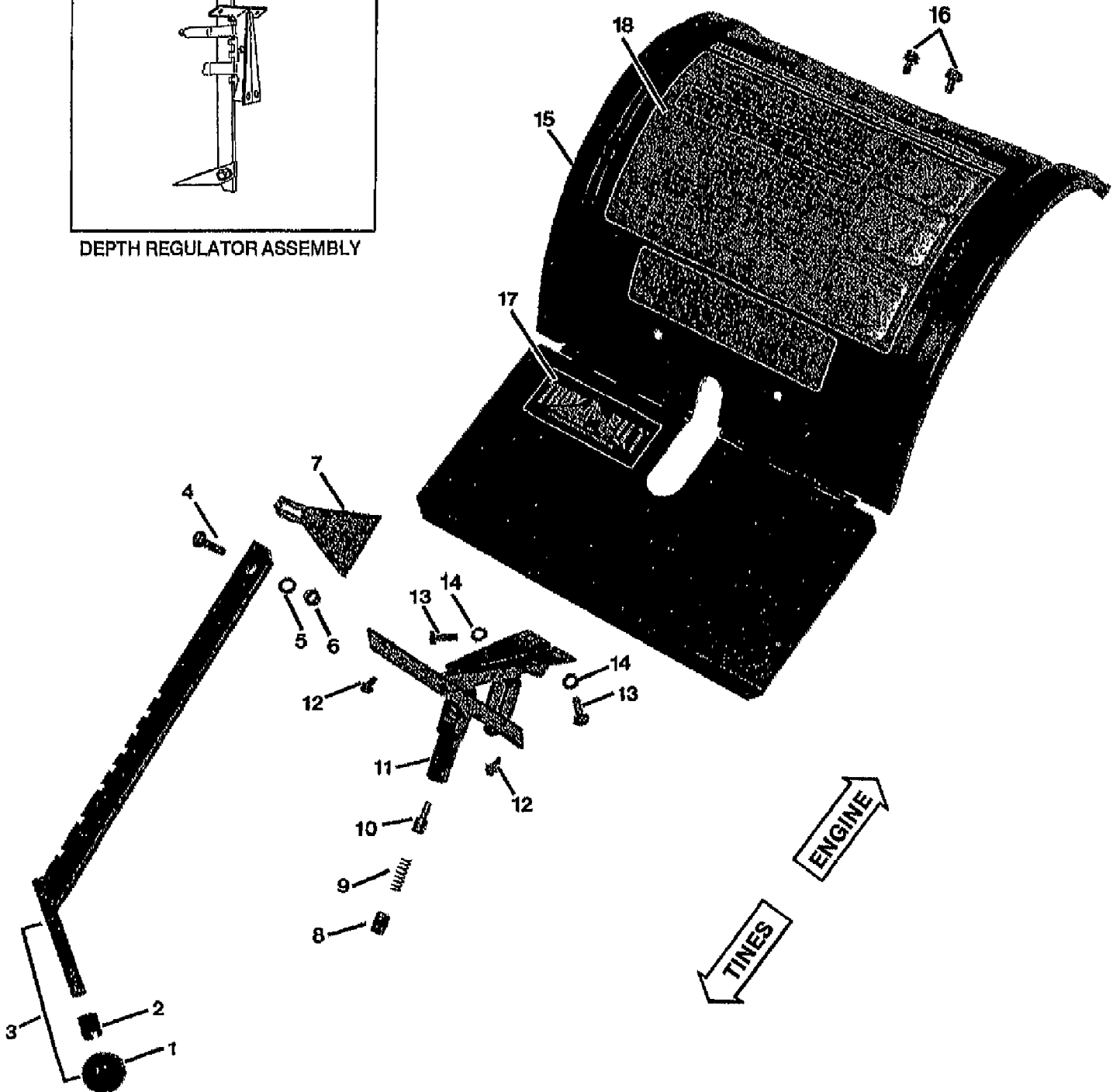
Page 9 of 17

Ref #	Part Number	Qty	S/P/F	Description
1	1100808	0		SCR-HH 5/16-18X1.25 G5ZP
2	1100242	0	S	WASHER-LK .312 ZP
3	50051	0		BRKT-HANDLEBAR PIVOT
4	1100046	0	S	SCR-HH 3/8-16X1.0 G5 ZP
5	50061	0		WASHER-TAB #
6	9837	0	S	NUT-LOCK 3/8-16 NYLON ZP
7	50060	0		PLATE-HANDLEBAR ADJUST
8	1100046	0	S	SCR-HH 3/8-16X1.0 G5 ZP
9	1100243	0	S	WASHER-LK .375 @ DEPL
10	9903	0		WASHER-1.0X.438X.104 ZP
11	50181	0	F	ASSM-HANDLEBAR REPLACE
12	50062	0	F	ASSM-CLAMP
13	9338	0	S	PIN-CLIP .08
14	50108	0		ASSM-DRIVE CONTROL ROD
15	9208	0		KNOB-DRIVE CNTRL ROD
16	9471	0		GRIPS-HANDLEBAR
17	50194	0		DECAL-CONTROL PANEL
18	9211	0		GROMMET-PLASTIC
19	9202	0	S	TIE-RED
20	50118	0	S/F	CABLE-THROTTLE & KNOB
21	9212	0	S	KNOB-THROTTLE CABLE
22	1114748	0	/P	SCR-RH M10-32X.5 MACH
23	1100240	0	/P	WASHER-LK M10
24	1186208	0	/P	NUT-HH M10-32X.125

50126 JUNIOR I (3.5HP)(S/N M1274-M8203)
HOOD & DEPTH REGULATOR



DEPTH REGULATOR ASSEMBLY

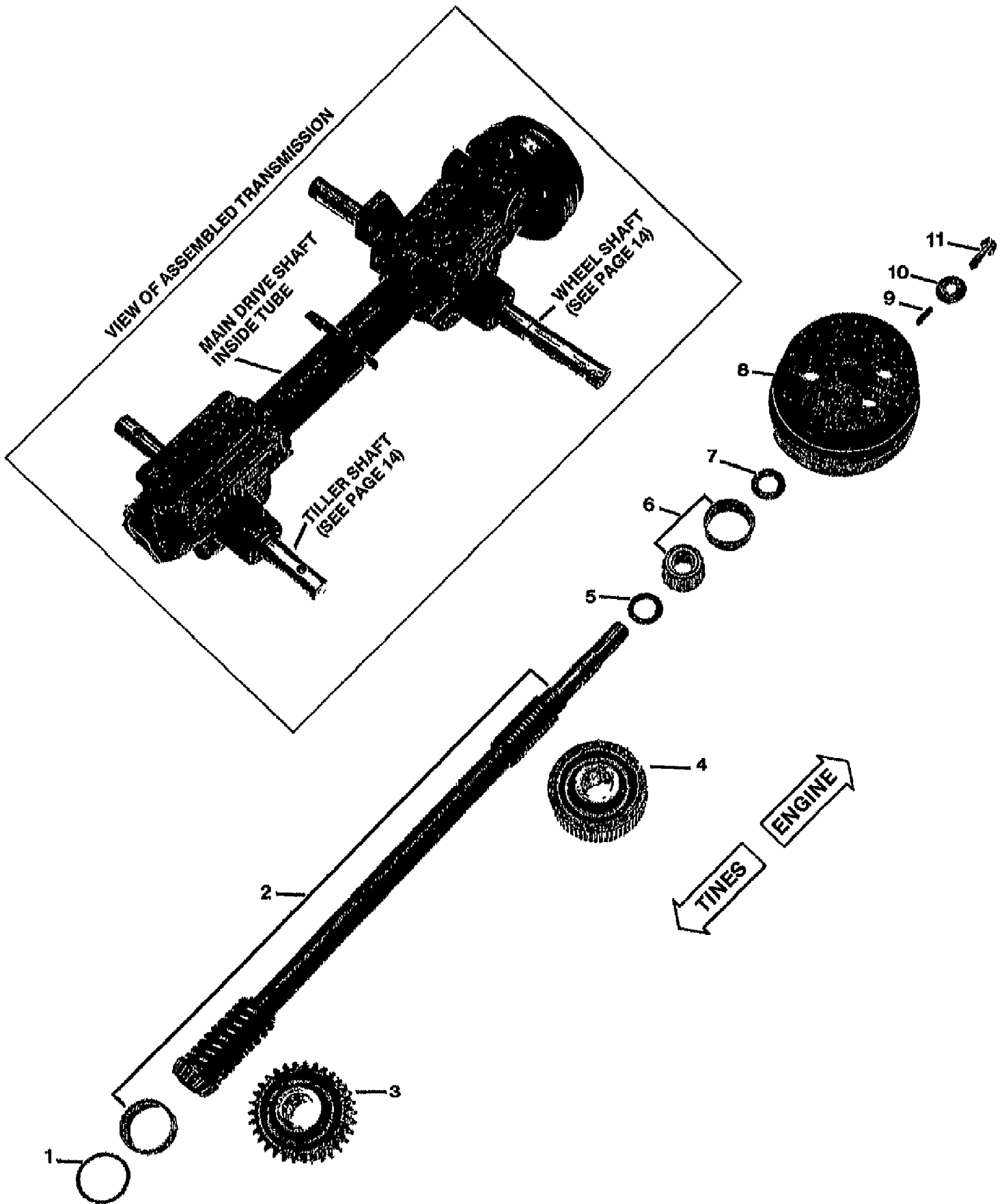


50126 JUNIOR I (3.5HP)(S/N M1274-M8203)
HOOD & DEPTH REGULATOR

Page 11 of 17

Ref #	Part Number	Qty	S/P/F	Description
1	9119	0	S	KNOB-CONTROL (INCLUDES RETAINING RING)
2	9120	0	S	RING-TOLERANCE .5325 ID
3	50119	0		REGULATOR-DEPTH W/KNOB
4	1100046	0	S	SCR-HH 3/8-16X1.0 G5 ZP
5	1100243	0	S	WASHER-LK .375 @ DEPL
6	1186231	0	S	NUT-HEX 3/8-16 ZP
7	50058	0		SHOE-DEPTH REGULATOR
8	9726	0	S	PLUG-PIPE 1/4 NPT
9	1120	0		SPRING .406 X 1.25
10	1119	0		PLUNGER
11	50120	0		ASSM-REAR HOOD BRKT (INCLUDES ROLL PIN)
12	9552	0	S	SCR-HWH 1/4-20 X .5 STH
13	1100044	0	S	SCR-HHC 5/16-18X.75 GR 5 ZP
14	1100242	0	S	WASHER-LK .312 ZP
15	50182	0		ASSM-HOOD W/DECALS
16	9553	0	S	SCR-HWH 5/16-18 X .5 STH
17	50098	0		DECAL-TB JR LOGO
18	50193	0		DECAL-OPER INST

50126 JUNIOR I (3.5HP)(S/N M1274-M8203)
MAIN SHAFT ASSEMBLY



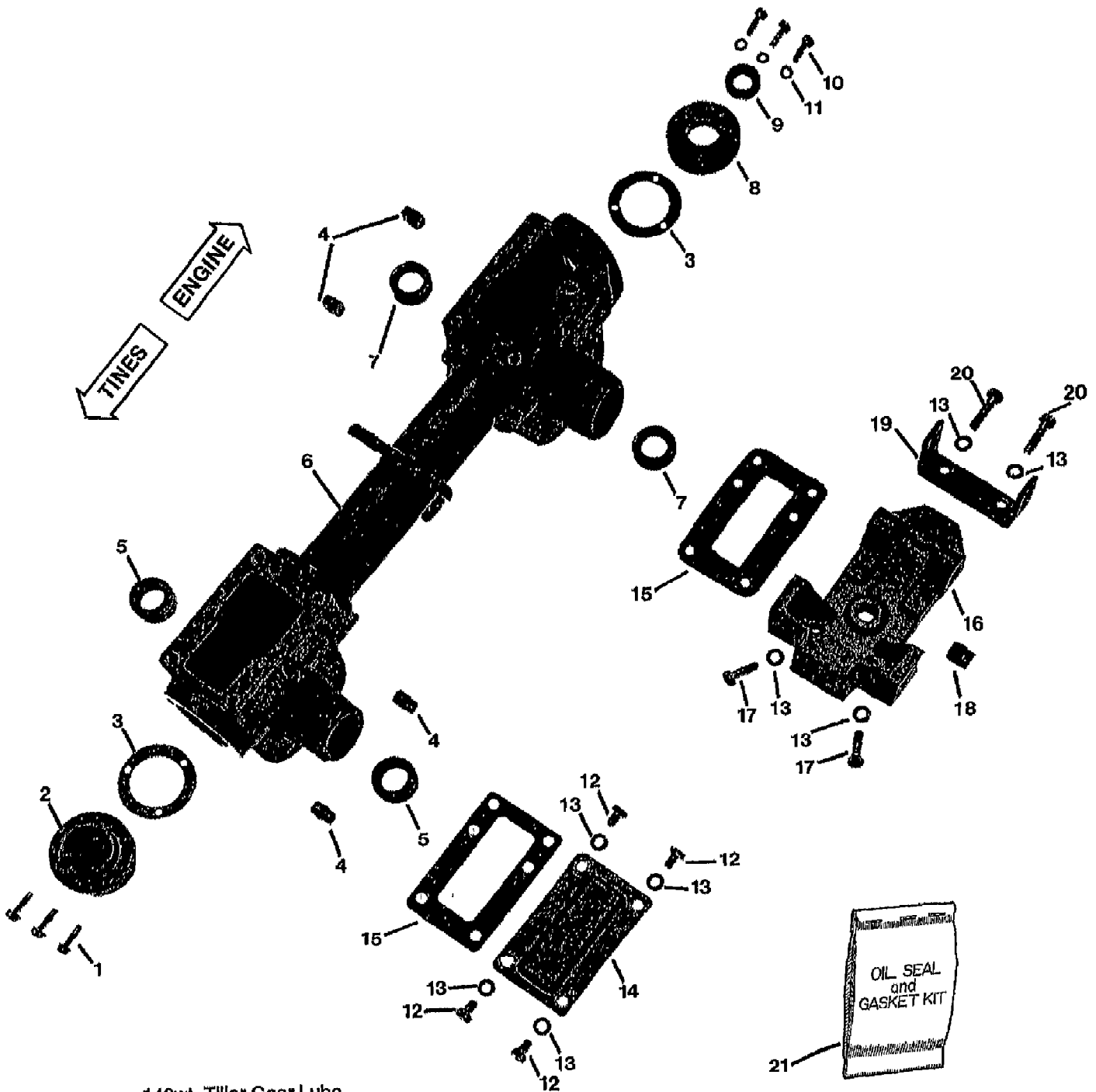
140wt. Tiller Gear Lube
#1360A = 2qt.
#1901964 = 1qt.

50126 JUNIOR I (3.5HP)(S/N M1274-M8203)
MAIN SHAFT ASSEMBLY

Page 13 of 17

Ref #	Part Number	Qty	S/P/F	Description
1	1224-1	0	S/F	SHIM-1.75X1.5X.01
1	1224-2	0	S/F	SHIM-1.75X1.5X.03
1	1224-3	0	S/F	SHIM-1.75X1.5X.005
	1325C	0	S	SHIM SET-DRIVESHAFT-HORSE
2	1899	0	F	KIT-DRIVESHAFT JR
3	50042	0	S/F	GEAR-WORM BRONZE MACH (Tiller Drive)
4	50041	0	F	GEAR-WORM 61 TEETH MACH (Wheel Drive)
5	50043	0	S	WASHER-#1.25X.75X.06
6	1714	0	S/F	KIT-BRG CONE & RACE-DRIVESHAFT
7	50027	0	S	WASHER-SHLDR HARDENED 11/16" I.D. x 11/4" O. D. (Thrust external, hardened)
8	50021	0		PULLEY-TRANS MACH (Transmission drive, 2 belt grooves)
9	9356	0		KEY-.188 SQ X .75 (Transmission pulley to drive shaft)
10	50076	0		WASHER-.827X.331X.098
11	9799	0		SCR-FLHH 5/16-24 X .75 ZP(Pulley to drive shaft)
	1360A	0		OIL (1901964) 2 QT 140WT
	1901964	0		OIL-GEAR 1 QT 140WT

50126 JUNIOR I (3.5HP)(S/N M1274-M8203)
TRANSMISSION HSG. & SEALS/GASKETS



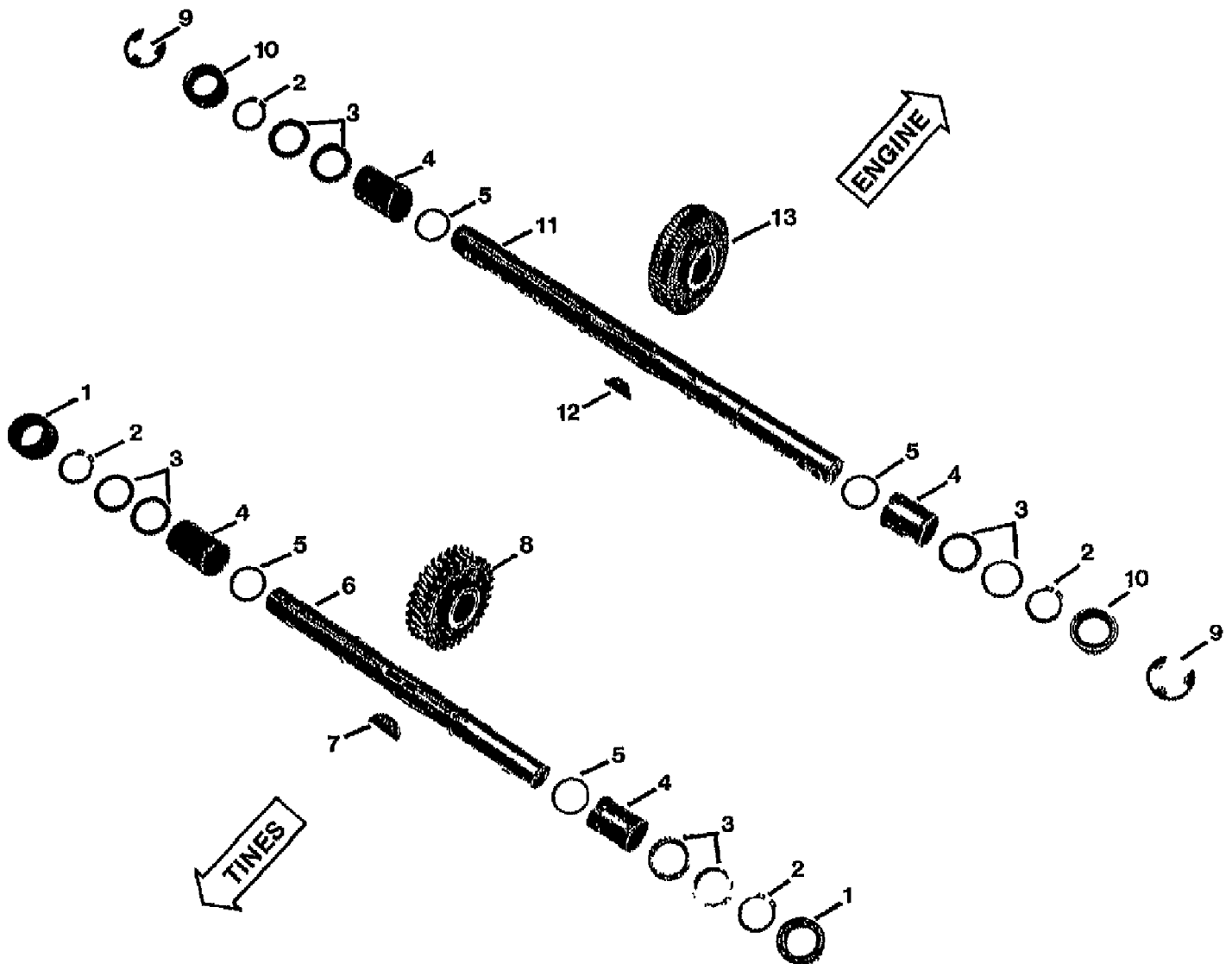
140wt. Tiller Gear Lube
#1380A = 2qt.
#1901964 = 1qt.

50126 JUNIOR I (3.5HP)(S/N M1274-M8203)
TRANSMISSION HSG. & SEALS/GASKETS

Page 15 of 17

Ref #	Part Number	Qty	S/P/F	Description
1	9773	0		SCR-HFLK 1/2-20X.875 (Rear bearing cap mounting)
2	1115	0		CAP-REAR #1115 (Rear Bearing)
3	1124-2	0	S	GASKET-BRG COVER (Front and rear bearing caps 0.010" thick)
4	9726	0	S	PLUG-PIPE 1/4 NPT (Gear oil level check and gear oil drain holes, front & rear)
5	9613	0		SEAL-OIL TRIPLE LIP (Tiller shaft, LT & RT side)
6	50078	0	F	ASSM-TRANS A UNIT (W/O covers, shaft, gears, seals, etc.)
7	9609	0		SEAL-OIL WHEEL SHAFT (Lt & Rt sides)
8	1114	0		CAP (Front Bearing)
9	9600	0		SEAL-PINION SHAFT PT/85030/00 (Main Drive shaft, front)
10	9701	0		SCR-HH 1/4-20X.75 G5 ZP (Front bearing cap mounting)
11	9910	0		WASHER-LK .25 ZP
12	9550	0		SCR-HH 5/16-18X.5 GD5 YEL (Tiller housing cover to case)
13	9912	0		WASHER-LK .312 ZP (Used in both covers)
14	50074	0	S	CVR-TRANS REAR PNT (Tiller Housing)
15	50032	0	S	GASKET-GEAR HSG (Transmission covers, front & rear)
16	50031	0	F	COVER-TRANS MACH (Front Transmission)
17	9704	0		SCR-HH 5/16-18X1.0 G5 ZP (Front Transmission to cover)
18	9727	0	S	PLUG-PIPE 3/8 NPT (Gear oil fill hole)
19	50051	0	F	BRKT-HANDLEBAR PIVOT (Handlebar attachment)
20	9705	0		SCR-HH 5/16-18X1.25 G5 (Handlebar attachment)
21	1898	0		SEAL & GASKET SET-JR (Inc. 2 #3, 2 #15, 2 #5, 1 #9)
	1360A	0		OIL (1901964) 2 QT 140WT
	1901964	0		OIL-GEAR 1 QT 140WT

50126 JUNIOR I (3.5HP)(S/N M1274-M8203)
WHEEL & TILLER SHAFT ASSEMBLIES



140wt. Tiller Gear Lube
#1960A = 2qt.
#1901964 = 1qt.

50126 JUNIOR I (3.5HP)(S/N M1274-M8203)
WHEEL & TILLER SHAFT ASSEMBLIES

Page 17 of 17

Ref #	Part Number	Qty	S/P/F	Description
1	9613	0		SEAL-OIL TRIPLE LIP (Tiller shaft, LT & RT Sides)
2	9511	0	S	RING-HEAVY EXT .906 ID (Tiller and Wheel Shafts)
3	1166-1	0	S/F	SHIM-1.375X1.015X.062
3	1166-2	0	S/F	SHIM-1.375X1.015X.03
3	1166-3	0	S/F	SHIM-1.375X1.015X.015
3	1166-4	0	S/F	SHIM-1.375X1.015X.01
4	1086	0	S	BUSHING-1.25X1.005X1.5 bronze, (Tiller and Wheel Shafts, LT & RT sides)
5	1132-2	0	S	SHIM-1.234X1.015X.062 (Tiller and Wheel Shafts)
6	50104	0		TILLER SHAFT-W/KEY (Inc. 6)
7	1104	0	S	KEY-WOODRUFF .25X1.12 (Tiller shaft to worm gear)
8	50042	0	S	GEAR-WORM BRONZE MACH (Tiller Drive)
9	9512	0	S	RING-RETAINING 5133-989 (E-type retaining, external, LT & RT sides)
10	9609	0		SEAL-OIL WHEELSHAFT (LT & RT sides)
11	50105	0		WHEELSHAFT-W/KEY (Inc. 12)
12	9305	0	S	KEY-HI PRO .25X1.062 (Wheel shaft to worm gear)
13	50041	0		GEAR-WORM 61 TEETH MACH bronze, (Wheel drive)
	1360A	0		OIL (1901964) 2 QT 140WT
	1901964	0		OIL-GEAR 1 QT 140WT