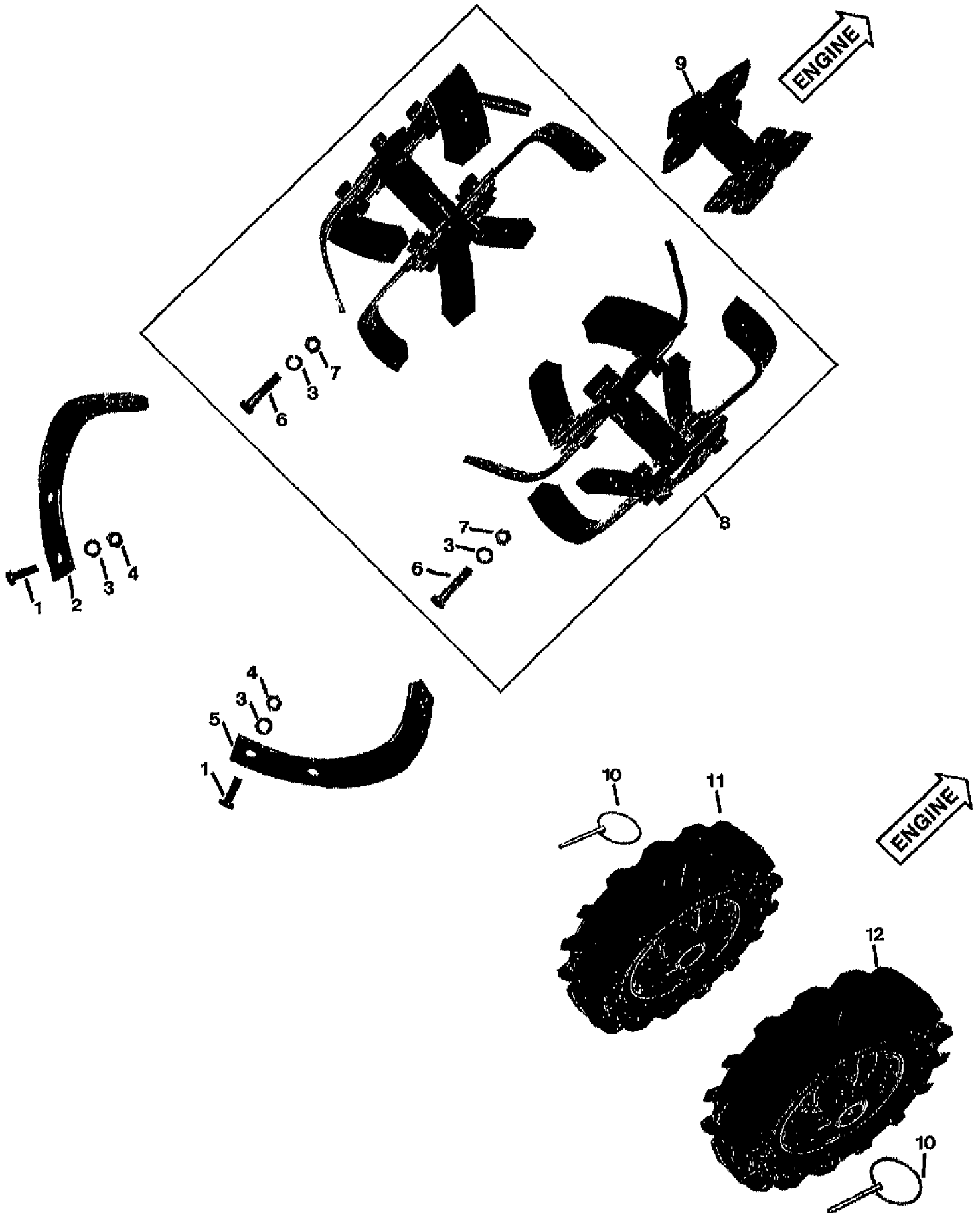


5000 PONY JR. (3.5HP)(S/N M1001-M1273)  
BOLO TINE & WHEEL ASSEMBLIES

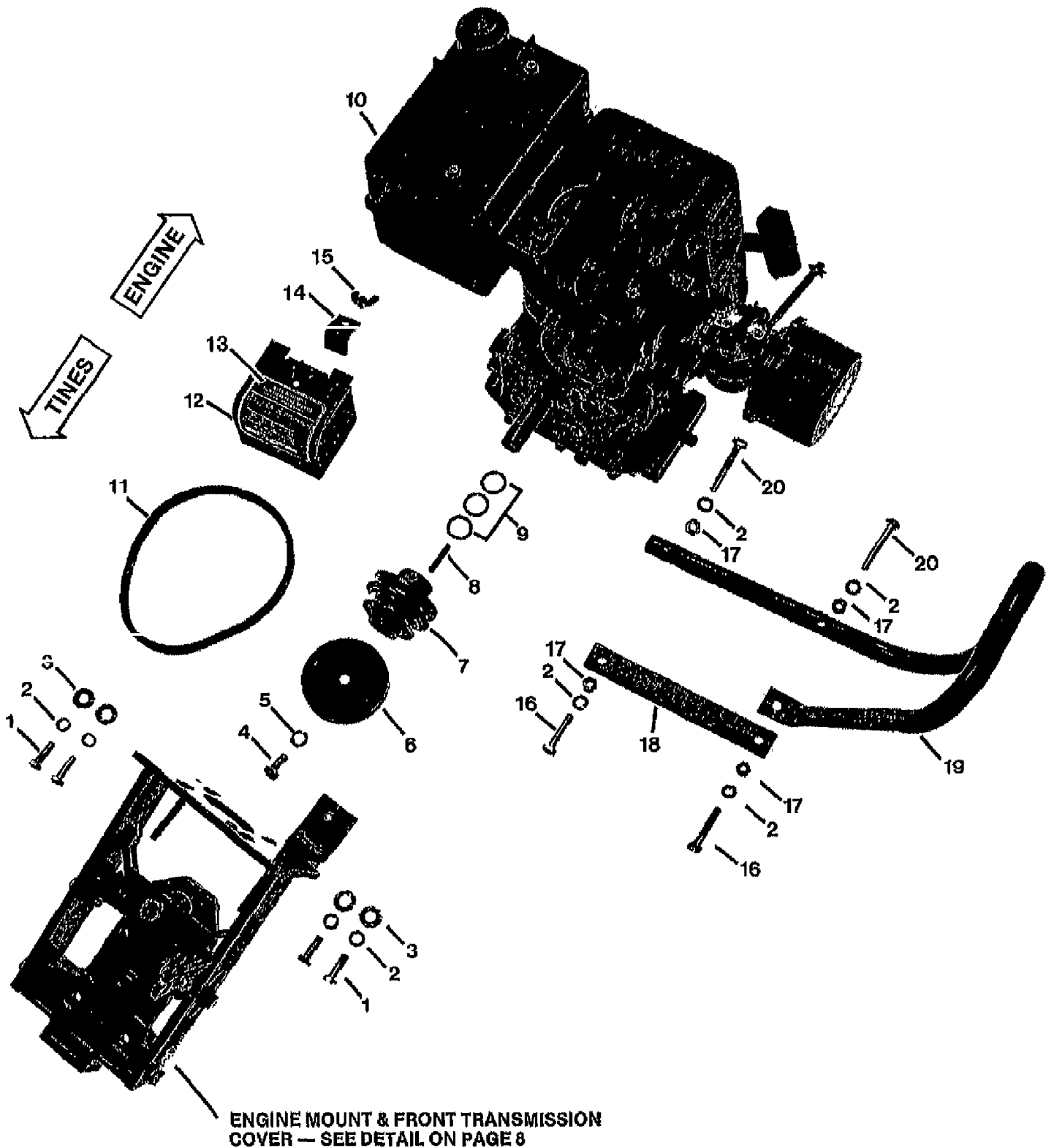


5000 PONY JR. (3.5HP)(S/N M1001-M1273)  
BOLO TINE & WHEEL ASSEMBLIES

Page 2 of 17

Ref #	Part Number	Qty	S/P/F	Description
1	9711	0		SCR-HH 3/8-16X1.0 G5 ZP (Tine mounting)
2	50049-02	0	S	TINE-BOLO LEFT SINGLE
3	9913	0	F	WASHER-LK .375 @ DEPL (SEE ILLUSTRATION)
4	9802	0		NUT-HEX 3/8-16 ZP
5	50049-01	0	S	TINE-BOLO RIGHT
6	9555	0		BOLT-HH 3/8-16X1.75 G8 ZP (Tine holder to tiller shaft)
7	9807	0		NUT-H/LK 3/8-16
8	1900	0	F	KIT-TINE & HOLDER 16 Tines, assembled.
9	50046	0		TINE HOLDER-WELD (FOR Bolo Tines, LT and RT sides)
	1901	0	S/F	TINES-BOLO JUNIOR/TUFFY
10	9355	0		PIN-QUICK RELEASE (Wheel hub to shaft)
11	50045-01	0	F	ASSM-TIRE&WHL LH GRAY
12	50045-02	0	F	ASSM-TIRE&WHL RH GRAY

5000 PONY JR. (3.5HP)(S/N M1001-M1273)  
ENGINE, BELT & CARB GUARD

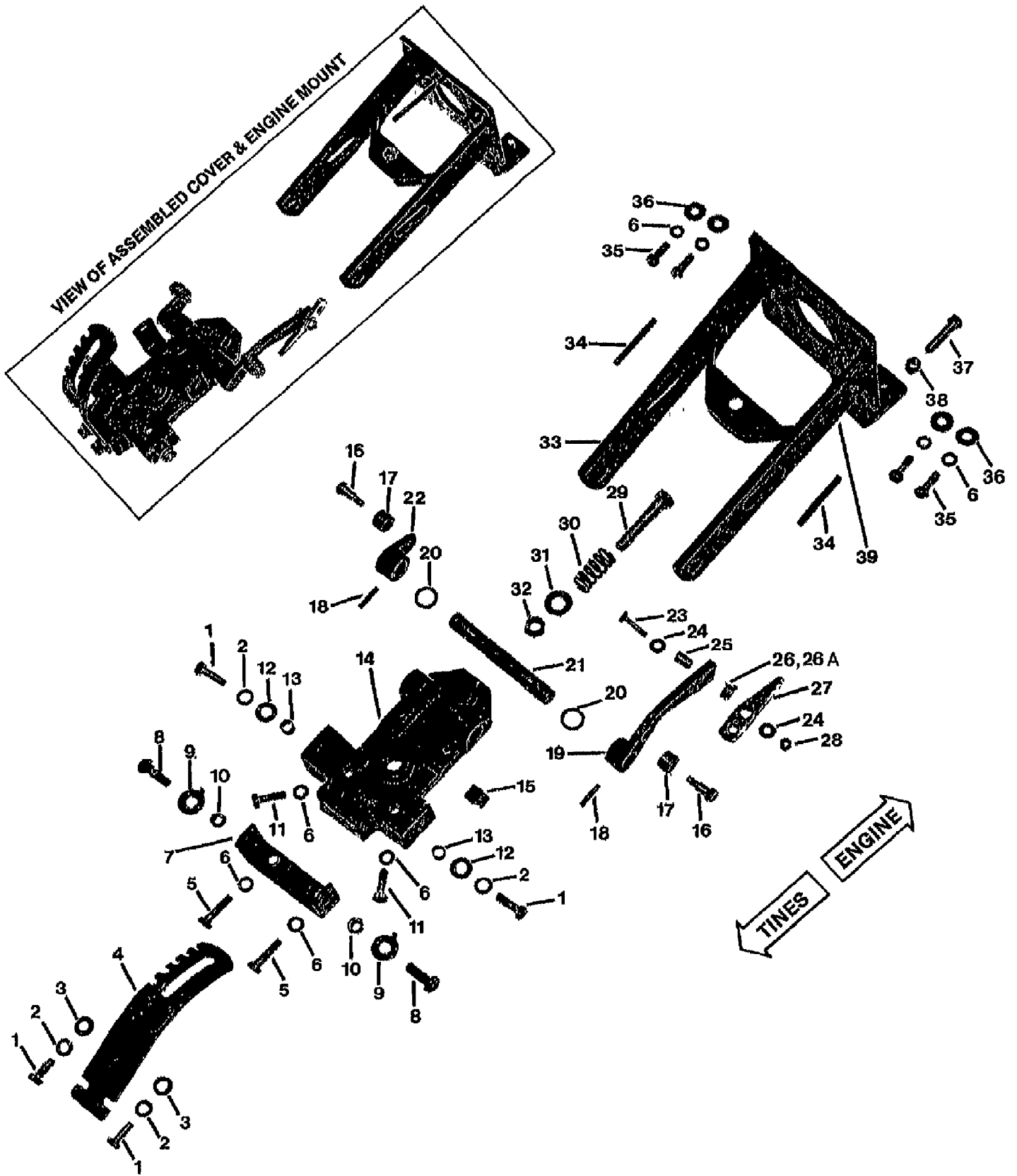


5000 PONY JR. (3.5HP)(S/N M1001-M1273)  
ENGINE, BELT & CARB GUARD

Page 4 of 17

Ref #	Part Number	Qty	S/P/F	Description
1	9707	0		SCR 5/16-24 X 1
2	9912	0		WASHER-LK .312 ZP
3	9901	0		WASHER-.88X312X.08 ZP
4	9797	0		BOLT-HH 3/8-24 X .75 ZP
5	9913	0		WASHER-LK .375 @ DEPL
6	50024	0		DISC-REV
7	50022	0		PULLEY-ENG MACH
8	9302	0		KEY-.188 SQ X 1.25
9	1138-1	0	S	SHIM-1.0X.7656X.062
10	0	0	F	ENGINE - TECUMSEH
10	0	0	F	ENGINE - STANDARD RECOIL START
10	0	0	F	ENGINE - 3.5 HP, MODEL H35,
10	0	0	F	ENGINE - TYPE 45564N
11	50028	0		BELT-V
12	50122	0		BELT SHROUD W/DECAL
13	50082	0		DECAL-BELT COVER
14	50068	0		CLIP
15	9822	0		NUT-WING/LK 1/4-20 ZP
16	9759	0		SCR-HH 5/16-18X1.75
17	9801	0		NUT-HEX 5/16-18 ZP
18	50026	0		PAD-ENG JACKING
19	50097	0		GUARD-CARBURETOR PNT
20	9720	0		BOLT-HH 5/16-18X2 ZP

5000 PONY JR. (3.5HP)(S/N M1001-M1273)  
FORWARD/REVERSE SHIFT & ENGINE MOUNT



5000 PONY JR. (3.5HP)(S/N M1001-M1273)  
FORWARD/REVERSE SHIFT & ENGINE MOUNT

Page 6 of 17

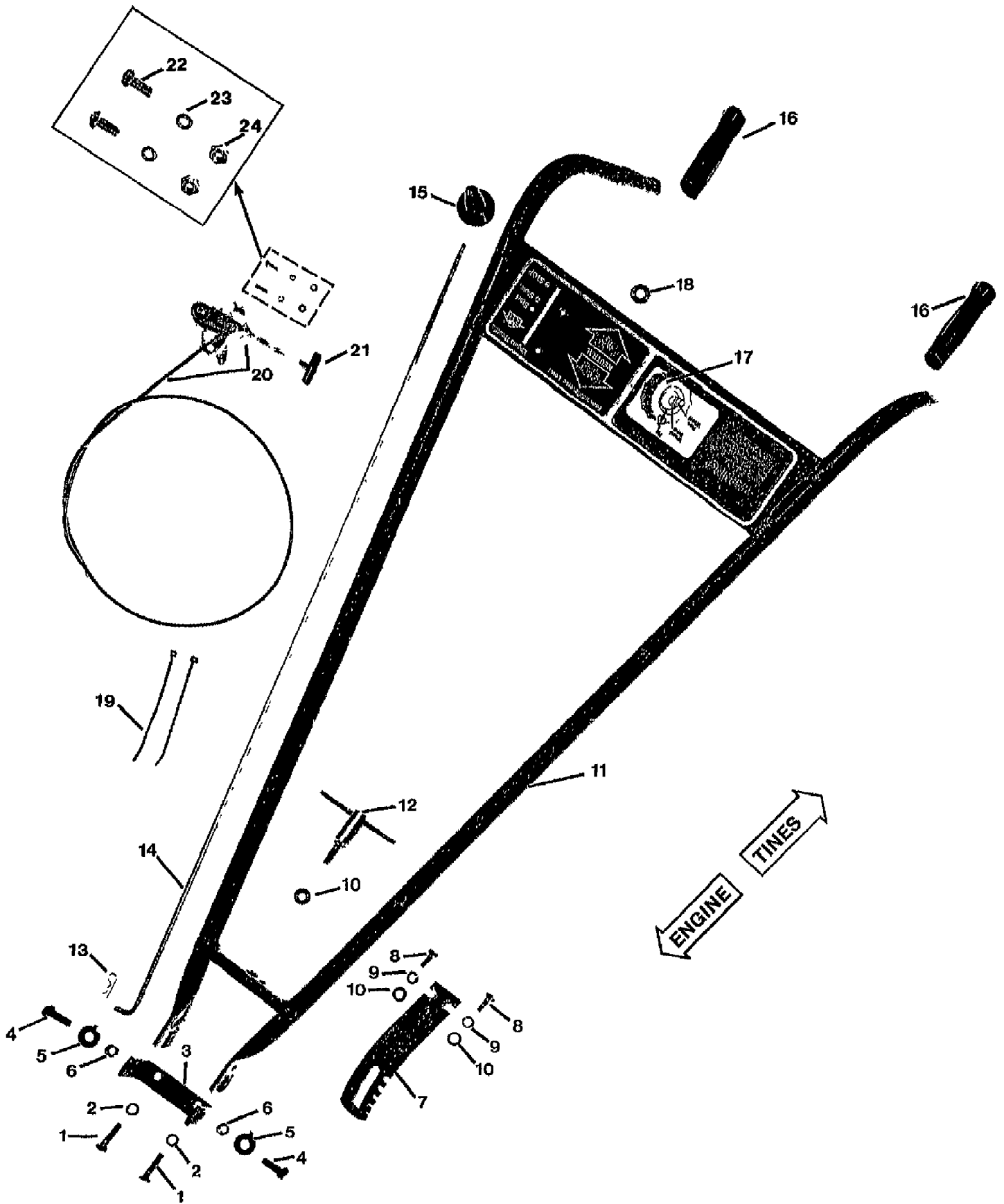
Ref #	Part Number	Qty	S/P/F	Description
1	9710	0	F	SCR-HH 3/8-16X1.0 G5 ZP
2	9913	0		WASHER-LK .375 @ DEPL (See Illustration, used in two places.)
3	9903	0		WASHER-1.0X.438X.104 ZP
4	50060	0	F	PLATE-HANDLEBAR ADJUST
5	9705	0		SCR-HH 5/16-18X1.25 G5ZP (Handlebar attachment bracket to transmission cover.)
6	9912	0		WASHER-LK .312 ZP (See Illustration, used in three places.)
7	50051	0	F	BRKT-HANDLEBAR PIVOT
8	9711	0		SCR-HH 3/8-16X1.0 G5 ZP (Bracket to handle bars.)
9	50061	0		WASHER-TAB #
10	9837	0	S	NUT-LOCK 3/8-16 NYLON ZP
11	9704	0		SCR-HH 5/16-18X1.0 G5 ZP (Front cover to transmission case)
12	9904	0	S	WASHER-FLAT 3/8 SAE
13	50025	0		BUSHING-.5X.375X.375 (Engine mount arms)
14	50031	0		COVER-TRANS MACH
15	9727	0	S	PLUG-PIPE 3/8 NPT (Gear oil fill hole)
16	9556	0		SCR-SH 5/16-18 X .5 ZP (Eccentric arms to engine mount arms)
17	50014	0		ROLLER-ECC (Eccentric arms)
18	9354	0		PIN-ROLL .188 X 1 (Eccentric arms to eccentric shaft)
19	50123	0		ECC W/SPG & ROLL PIN-RT (Inc. #18 & 26)
20	1440	0	S	WASHER # .875 X .65 X .06 (Eccentric shaft)
21	50012	0		SHAFT-ECC MACH (Eccentric)
22	50125	0		ECC-LT MACH (Inc. #18)
23	9734	0		SCR-HH 1/4-20X1.0 ((Eccentric arm to neutral control stop arm)
24	9900	0		WASHER-FLAT 1/4 SAE
25	50018	0		BUSHING-.406X.255X.595 (Neutral Control Arm)
26	50096	0		SPRING-.56 X .4 ZP(Neutral Control Arm FOR S/N 1274 & LATER, DO NOT USE 26A)
26A	50019	0		SPRING-.56X.4 ZP(FOR S/N 1273 & EARLIER, DO NOT USE 26)
27	50017	0		ARM-CONTROL ZP (Neutral stop)
28	9811	0		NUT-LK 1/4-20
29	9798	0		BOLT-HH 1/2-13 X 2.5 ZP(Reverse adjustment)
30	50020	0		SPRING-.685X1.75 (Reverse adjustment)
31	9905	0		WASHER-PLAIN 1/2 ZP
32	9836	0		NUT-LOCK 1/2-13 NYLON INSERT ZP

5000 PONY JR. (3.5HP)(S/N M1001-M1273)  
FORWARD/REVERSE SHIFT & ENGINE MOUNT

Page 7 of 17

Ref #	Part Number	Qty	S/P/F	Description
33	50124	0		BRKT-ENG MTG W/DECAL (Inc. 39 & two #34)
34	9310	0		PIN-SPIROL .25 X 2.5
35	9707	0		SCR 5/16-24 X 1 (Engine mount to engine)
36	9901	0		WASHER-.88X312X.08 ZP
37	9558	0		BOLT-HH 3/8-16X1.5 FTH ZP (Belt adjustment)
38	9802	0		NUT-HEX 3/8-16 ZP
39	50112	0		DECAL-BELT WARNING (Not Illustrated)

5000 PONY JR. (3.5HP)(S/N M1001-M1273)  
HANDLE BARS, SHIFT & THROTTLE





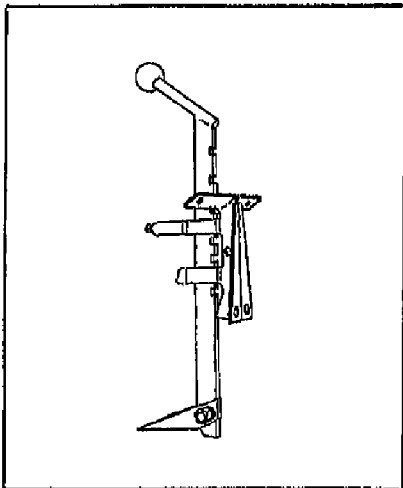
5000 PONY JR. (3.5HP)(S/N M1001-M1273)  
HANDLE BARS, SHIFT & THROTTLE

Page 9 of 17

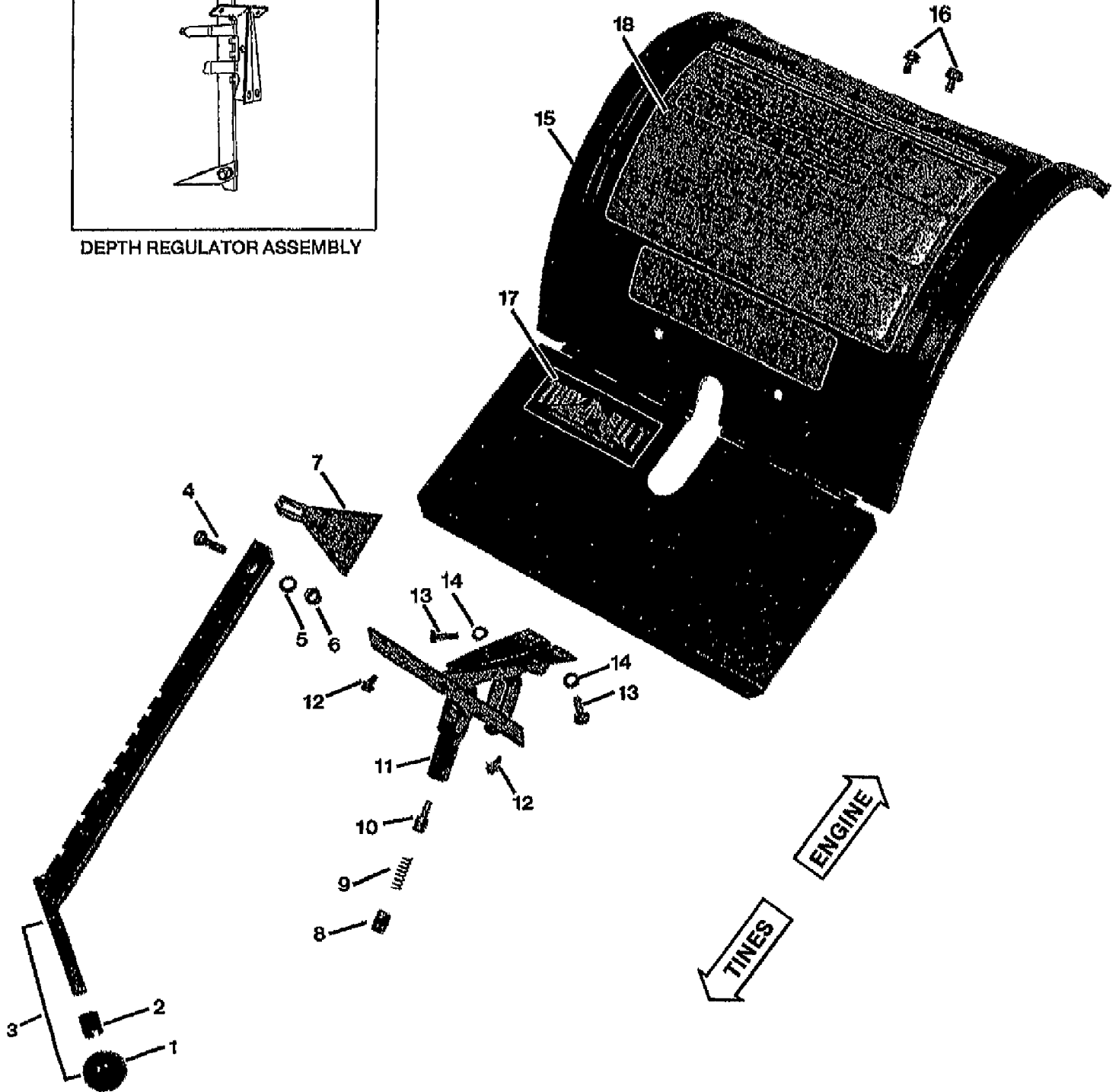
Ref #	Part Number	Qty	S/P/F	Description
1	1100808	0		SCR-HH 5/16-18X1.25 G5ZP
2	1100242	0	S	WASHER-LK .312 ZP
3	50051	0		BRKT-HANDLEBAR PIVOT
4	1100046	0	S	SCR-HH 3/8-16X1.0 G5 ZP
5	50061	0		WASHER-TAB #
6	9837	0	S	NUT-LOCK 3/8-16 NYLON ZP
7	50060	0		PLATE-HANDLEBAR ADJUST
8	1100046	0	S	SCR-HH 3/8-16X1.0 G5 ZP
9	1100243	0	S	WASHER-LK .375 @ DEPL
10	9903	0		WASHER-1.0X.438X.104 ZP
11	50181	0	F	ASSM-HANDLEBAR REPLACE
12	50062	0	F	ASSM-CLAMP
13	9338	0	S	PIN-CLIP .08
14	50108	0		ASSM-DRIVE CONTROL ROD
15	9208	0		KNOB-DRIVE CNTRL ROD
16	9471	0		GRIPS-HANDLEBAR
17	50194	0		DECAL-CONTROL PANEL
18	9211	0		GROMMET-PLASTIC
19	9202	0	S	TIE-RED
20	50118	0	S/F	CABLE-THROTTLE & KNOB
21	9212	0	S	KNOB-THROTTLE CABLE
22	1114748	0	/P	SCR-RH M10-32X.5 MACH
23	1100240	0	/P	WASHER-LK M10
24	1186208	0	/P	NUT-HH M10-32X.125

5000 PONY JR. (3.5HP)(S/N M1001-M1273)  
HOOD & DEPTH REGULATOR

PONY JR S/N M1001 - M1273  
JUNIOR I S/N M1274 - M8203



DEPTH REGULATOR ASSEMBLY



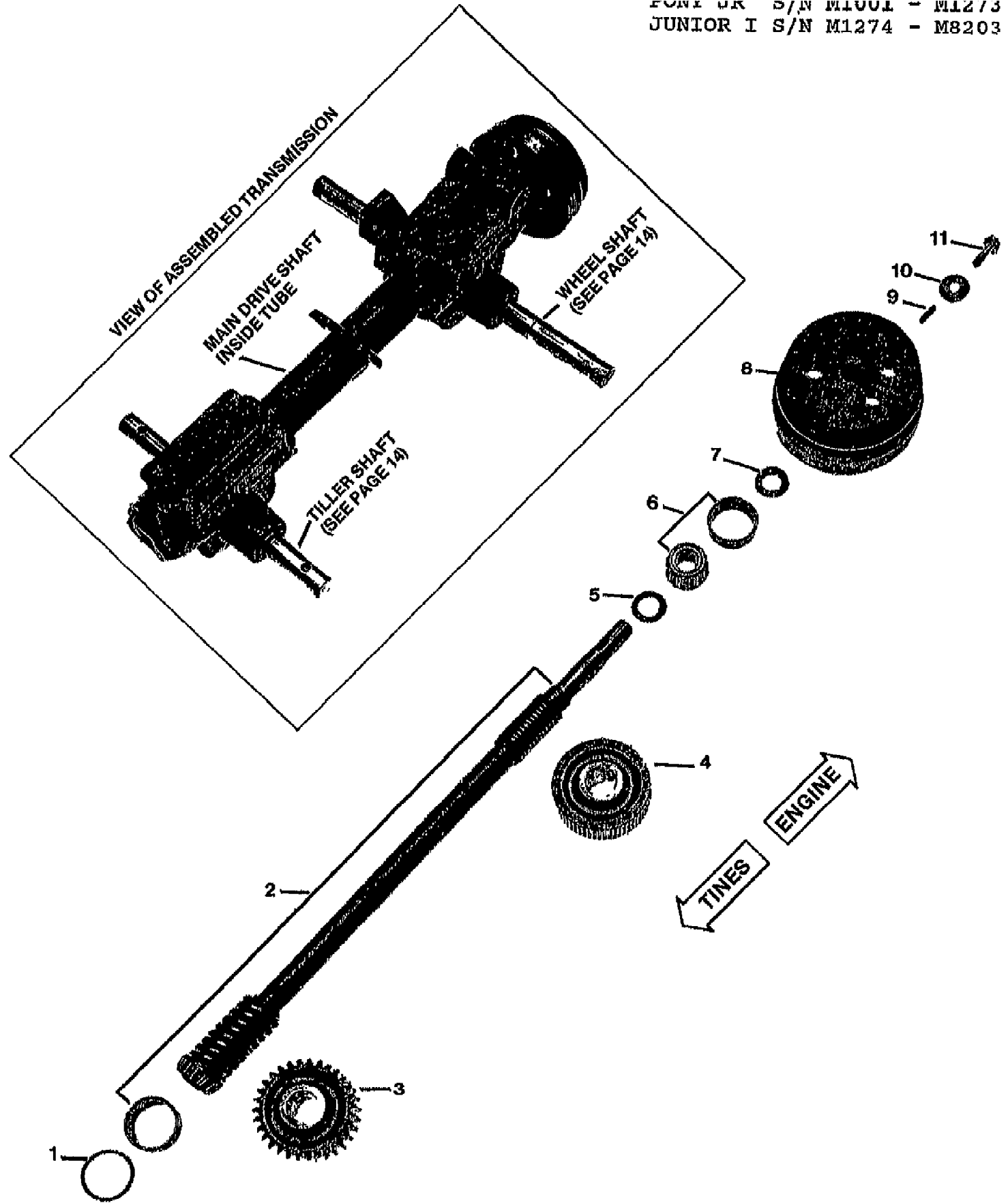
5000 PONY JR. (3.5HP)(S/N M1001-M1273)  
HOOD & DEPTH REGULATOR

Page 11 of 17

Ref #	Part Number	Qty	S/P/F	Description
1	9119	0	S	KNOB-CONTROL (INCLUDES RETAINING RING)
2	9120	0	S	RING-TOLERANCE .5325 ID
3	50119	0		REGULATOR-DEPTH W/KNOB
4	1100046	0	S	SCR-HH 3/8-16X1.0 G5 ZP
5	1100243	0	S	WASHER-LK .375 @ DEPL
6	1186231	0	S	NUT-HEX 3/8-16 ZP
7	50058	0		SHOE-DEPTH REGULATOR
8	9726	0	S	PLUG-PIPE 1/4 NPT
9	1120	0		SPRING .406 X 1.25
10	1119	0		PLUNGER
11	50120	0		ASSM-REAR HOOD BRKT (INCLUDES ROLL PIN)
12	9552	0	S	SCR-HWH 1/4-20 X .5 STH
13	1100044	0	S	SCR-HHC 5/16-18X.75 GR 5 ZP
14	1100242	0	S	WASHER-LK .312 ZP
15	50182	0		ASSM-HOOD W/DECALS
16	9553	0	S	SCR-HWH 5/16-18 X .5 STH
17	50098	0		DECAL-TB JR LOGO
18	50193	0		DECAL-OPER INST

5000 PONY JR. (3.5HP)(S/N M1001-M1273)  
MAIN SHAFT ASSEMBLY

PONY JR S/N M1001 - M1273  
JUNIOR I S/N M1274 - M8203



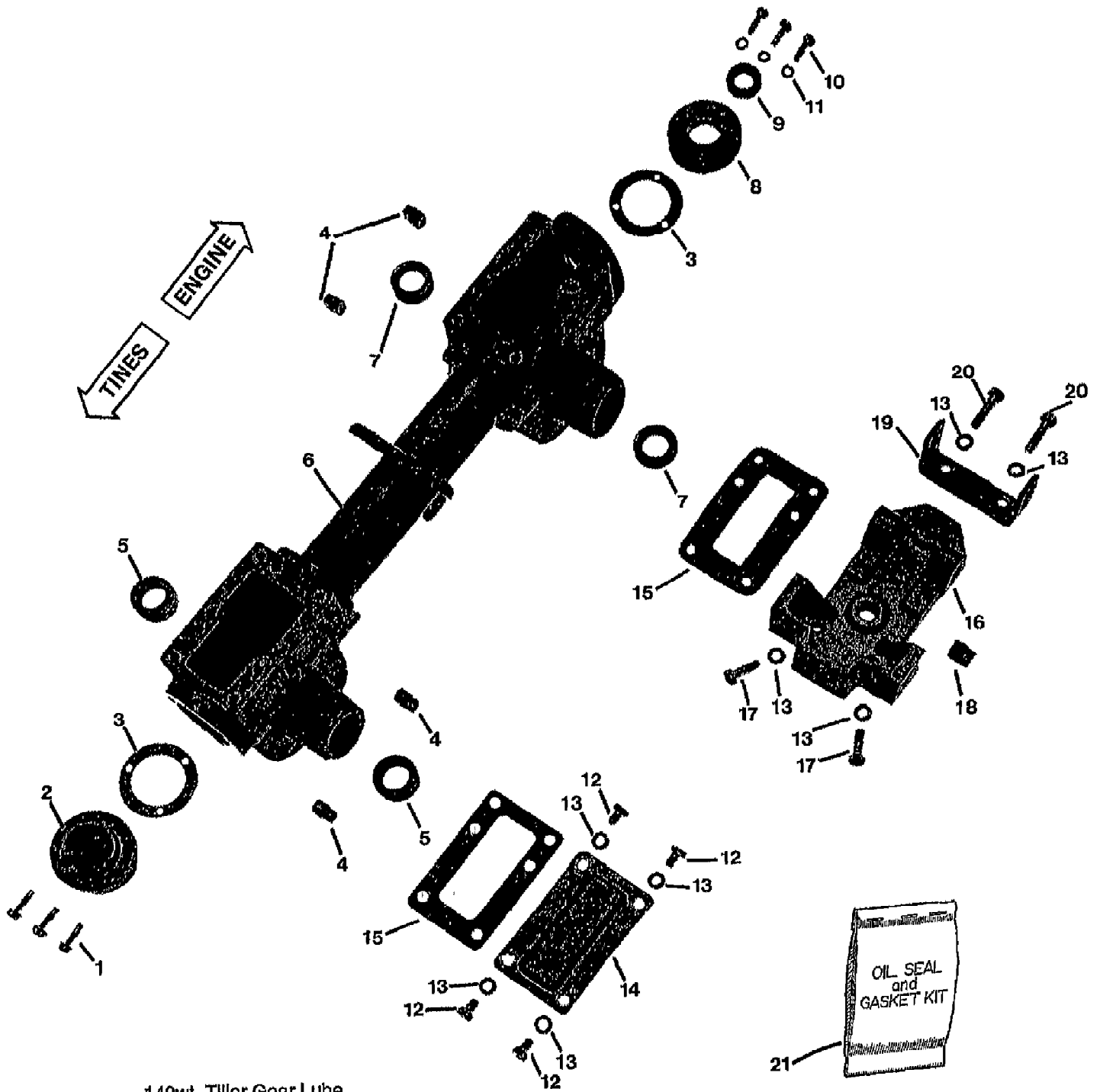
140wt. Tiller Gear Lube  
#1360A = 2qt.  
#1901964 = 1qt.

5000 PONY JR. (3.5HP)(S/N M1001-M1273)  
MAIN SHAFT ASSEMBLY

Page 13 of 17

Ref #	Part Number	Qty	S/P/F	Description
1	1224-1	0	S/F	SHIM-1.75X1.5X.01
1	1224-2	0	S/F	SHIM-1.75X1.5X.03
1	1224-3	0	S/F	SHIM-1.75X1.5X.005
	1325C	0	S	SHIM SET-DRIVESHAFT-HORSE
2	1899	0	F	KIT-DRIVESHAFT JR
3	50042	0	S/F	GEAR-WORM BRONZE MACH (Tiller Drive)
4	50041	0	F	GEAR-WORM 61 TEETH MACH (Wheel Drive)
5	50043	0	S	WASHER-#1.25X.75X.06
6	1714	0	S/F	KIT-BRG CONE & RACE-DRIVESHAFT
7	50027	0	S	WASHER-SHLDR HARDENED 11/16" I.D. x 11/4" O. D. (Thrust external, hardened)
8	50021	0		PULLEY-TRANS MACH (Transmission drive, 2 belt grooves)
9	9356	0		KEY-.188 SQ X .75 (Transmission pulley to drive shaft)
10	50076	0		WASHER-.827X.331X.098
11	9799	0		SCR-FLHH 5/16-24 X .75 ZP(Pulley to drive shaft)
	1360A	0		OIL (1901964) 2 QT 140WT
	1901964	0		OIL-GEAR 1 QT 140WT

5000 PONY JR. (3.5HP)(S/N M1001-M1273)  
TRANSMISSION HSG. & SEALS/GASKETS



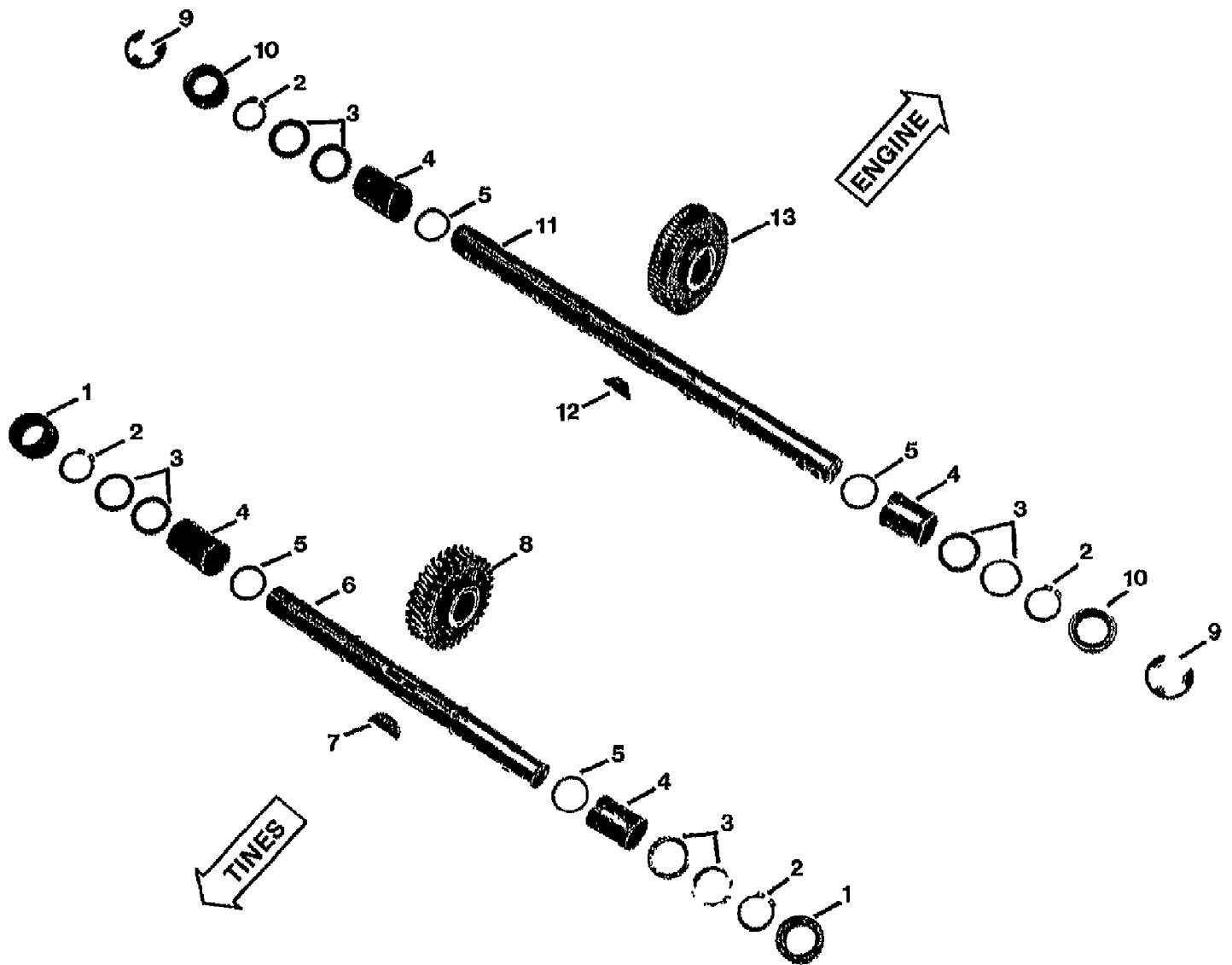
140wt. Tiller Gear Lube  
#1360A = 2qt.  
#1901964 = 1qt.

5000 PONY JR. (3.5HP)(S/N M1001-M1273)  
TRANSMISSION HSG. & SEALS/GASKETS

Page 15 of 17

Ref #	Part Number	Qty	S/P/F	Description
1	9773	0		SCR-HFLK 1/2-20X.875 (Rear bearing cap mounting)
2	1115	0		CAP-REAR #1115 (Rear Bearing)
3	1124-2	0	S	GASKET-BRG COVER (Front and rear bearing caps 0.010" thick)
4	9726	0	S	PLUG-PIPE 1/4 NPT (Gear oil level check and gear oil drain holes, front & rear)
5	9613	0		SEAL-OIL TRIPLE LIP (Tiller shaft, LT & RT side)
6	50078	0	F	ASSM-TRANS A UNIT (W/O covers, shaft, gears, seals, etc.)
7	9609	0		SEAL-OIL WHEEL SHAFT (Lt & Rt sides)
8	1114	0		CAP (Front Bearing)
9	9600	0		SEAL-PINION SHAFT PT/85030/00 (Main Drive shaft, front)
10	9701	0		SCR-HH 1/4-20X.75 G5 ZP (Front bearing cap mounting)
11	9910	0		WASHER-LK .25 ZP
12	9550	0		SCR-HH 5/16-18X.5 GD5 YEL (Tiller housing cover to case)
13	9912	0		WASHER-LK .312 ZP (Used in both covers)
14	50074	0	S	CVR-TRANS REAR PNT (Tiller Housing)
15	50032	0	S	GASKET-GEAR HSG (Transmission covers, front & rear)
16	50031	0	F	COVER-TRANS MACH (Front Transmission)
17	9704	0		SCR-HH 5/16-18X1.0 G5 ZP (Front Transmission to cover)
18	9727	0	S	PLUG-PIPE 3/8 NPT (Gear oil fill hole)
19	50051	0	F	BRKT-HANDLEBAR PIVOT (Handlebar attachment)
20	9705	0		SCR-HH 5/16-18X1.25 G5 (Handlebar attachment)
21	1898	0		SEAL & GASKET SET-JR (Inc. 2 #3, 2 #15, 2 #5, 1 #9)
	1360A	0		OIL (1901964) 2 QT 140WT
	1901964	0		OIL-GEAR 1 QT 140WT

5000 PONY JR. (3.5HP)(S/N M1001-M1273)  
WHEEL & TILLER SHAFT ASSEMBLIES



140wt. Tiller Gear Lube  
#1360A = 2qt.  
#1901964 = 1qt.



5000 PONY JR. (3.5HP)(S/N M1001-M1273)  
WHEEL & TILLER SHAFT ASSEMBLIES

Page 17 of 17

Ref #	Part Number	Qty	S/P/F	Description
1	9613	0		SEAL-OIL TRIPLE LIP (Tiller shaft, LT & RT Sides)
2	9511	0	S	RING-HEAVY EXT .906 ID (Tiller and Wheel Shafts)
3	1166-1	0	S/F	SHIM-1.375X1.015X.062
3	1166-2	0	S/F	SHIM-1.375X1.015X.03
3	1166-3	0	S/F	SHIM-1.375X1.015X.015
3	1166-4	0	S/F	SHIM-1.375X1.015X.01
4	1086	0	S	BUSHING-1.25X1.005X1.5 bronze, (Tiller and Wheel Shafts, LT & RT sides)
5	1132-2	0	S	SHIM-1.234X1.015X.062 (Tiller and Wheel Shafts)
6	50104	0		TILLER SHAFT-W/KEY (Inc. 6)
7	1104	0	S	KEY-WOODRUFF .25X1.12 (Tiller shaft to worm gear)
8	50042	0	S	GEAR-WORM BRONZE MACH (Tiller Drive)
9	9512	0	S	RING-RETAINING 5133-989 (E-type retaining, external, LT & RT sides)
10	9609	0		SEAL-OIL WHEELSHAFT (LT & RT sides)
11	50105	0		WHEELSHAFT-W/KEY (Inc. 12)
12	9305	0	S	KEY-HI PRO .25X1.062 (Wheel shaft to worm gear)
13	50041	0		GEAR-WORM 61 TEETH MACH bronze, (Wheel drive)
	1360A	0		OIL (1901964) 2 QT 140WT
	1901964	0		OIL-GEAR 1 QT 140WT