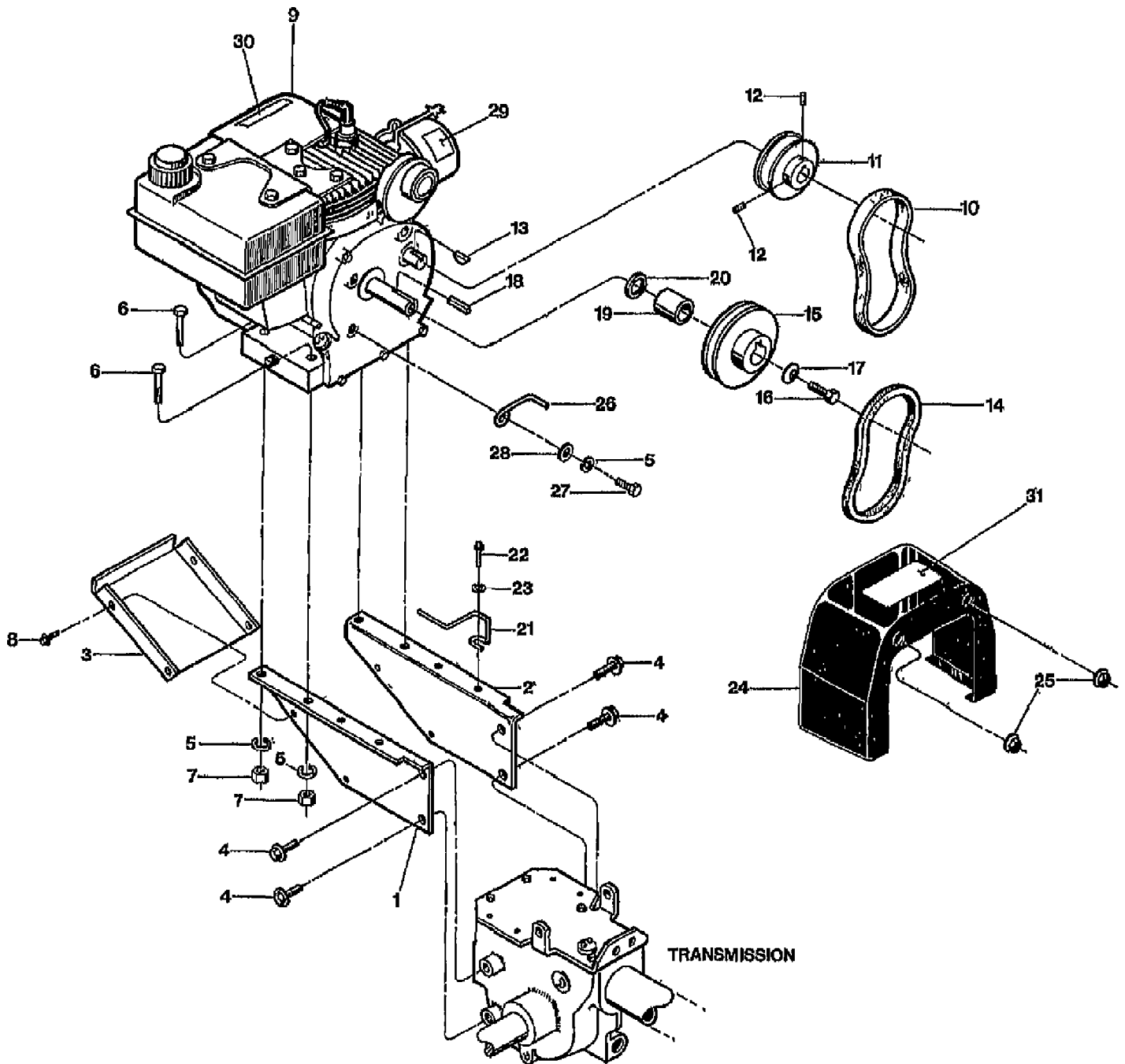


15021S JUNIOR V OPC (4HP) (S/N M0100970-M0108416)
ENGINE, PULLEYS & BELT

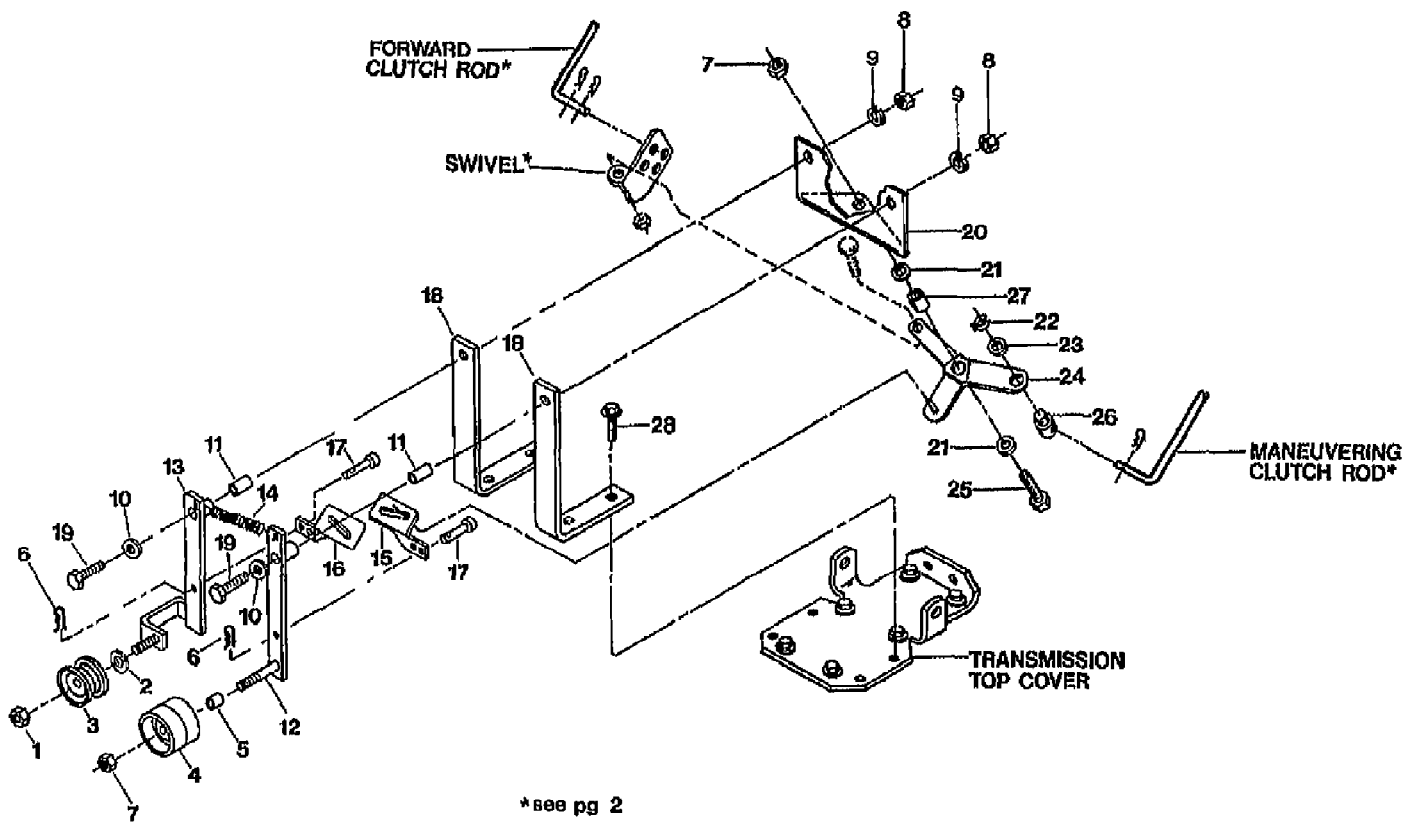


15021S JUNIOR V OPC (4HP) (S/N M0100970-M0108416)
ENGINE, PULLEYS & BELT

Page 2 of 16

Ref #	Part Number	Qty	S/P/F	Description
1	20754	0		BRKT-ENG LT P4
2	20755	0	S	BRKT-ENG RT PNT
3	20673	0	S	PAN-ENG BRKT PNT
4	90044	0		SCR-HFLK 5/16-18X.75 ZP
5	GW-9912	0	S	WASHER-LK .312 ZP
6	GW-9758	0	S	SCR-HH 5/16-18X1.5 G5 ZP
7	GW-9801	0	S	NUT-HEX 5/16-18 ZP
8	GW-9768	0	S/F	SCR-HH SEMS 10-32 X .5 ZP
9	0	0		ENGINE, TECUMSEH, STD. RECOIL START W/ELEC. IGNITION, 4HP, MODEL HS40, TYPE 55580K
10	97075	0	S	BELT-FLAT
11	20882	0		PULLEY-REV DRILL/TAP
12	GW-9561	0	/P	SCR-SS 1/4-20 X .25
13	GW-9361	0	/P	KEY-WOODRUFF #5
14	1909404	0	/P	BELT-V GROOVE FWD SMFRAME
15	20765	0		PULLEY-ENGINE MACH
16	GW-9549	0	S	SCR-HH 3/8-24X1.0 G5 ZP
17	GW-9925	0		WASHER-.994X.413X.145
18	GW-9301	0	S	KEY-.188 SQX1.0
19	97078	0		SPACER-.938X.755X1.44
20	1138-2	0	S	SHIM-1.0X.7656X.031
21	20555	0		GUIDE-BELT FWD
22	9573	0	S	SCR-HWH 1/4-20 X .75 STH
23	GW-9900	0	S	WASHER-FLAT 1/4 SAE
24	20916	0	S	COVER-BELT W/DECAL
25	GW-9848	0	S	NUT-HFLK 5/16-18 ZP
26	20890	0		STOP-BELT
27	9655	0	S	SCR-HH 5/16-24X.75 G5 ZP
28	GW-9902	0	S	WASHER-FLAT 5/16 SAE
29	~N/A	0		DECAL-HOT SURFACE
	~N/A	0		BELT SET (INCL. 10 & 14)
30	20821	0		DECAL-STARTING STABIL
31	20818	0	S	DECAL-BELT COVER OPC

15021S JUNIOR V OPC (4HP) (S/N M0100970-M0108416)
FORWARD/REVERSE IDLER ASSEMBLY

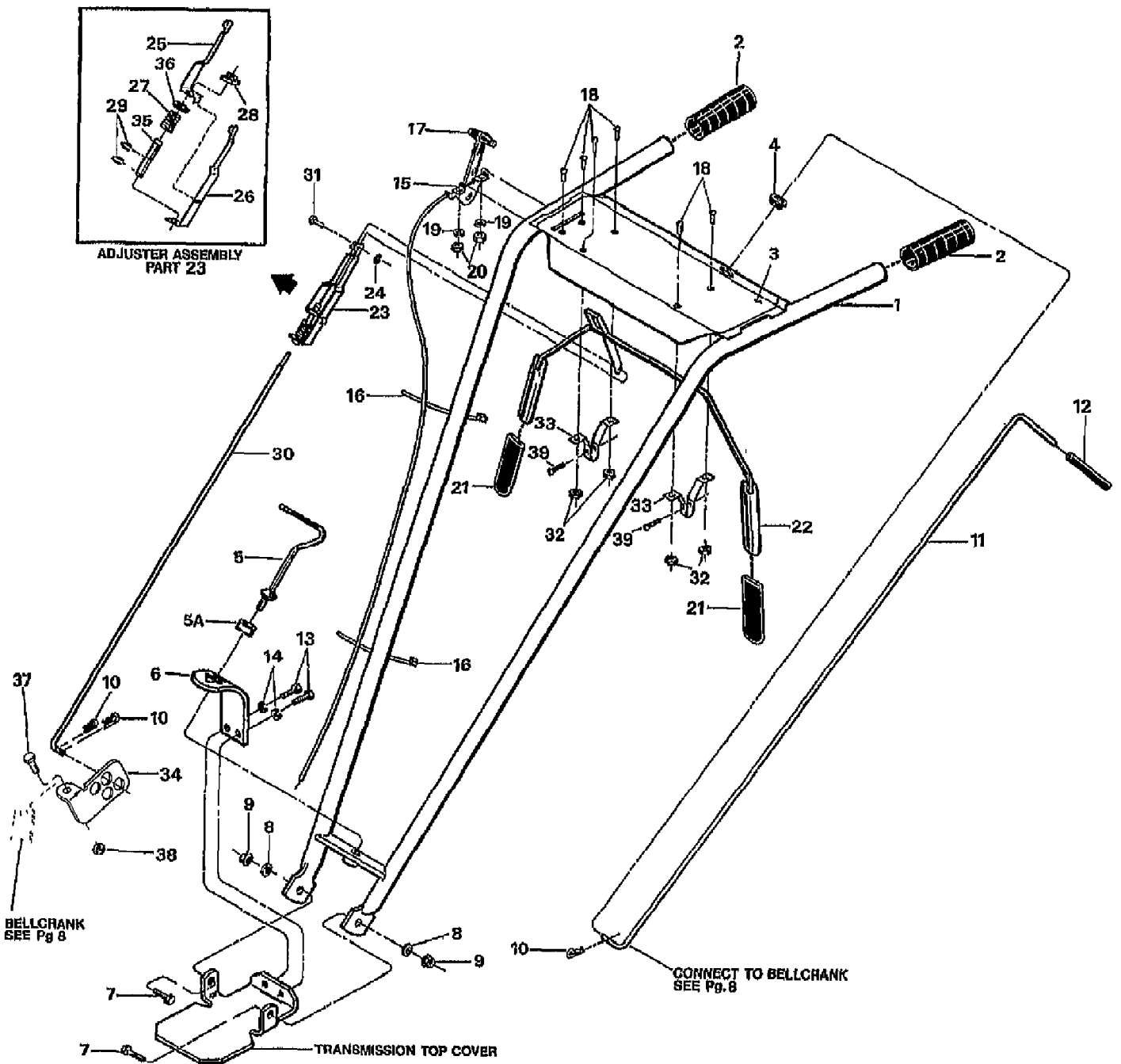


15021S JUNIOR V OPC (4HP) (S/N M0100970-M0108416)
FORWARD/REVERSE IDLER ASSEMBLY

Page 4 of 16

Ref #	Part Number	Qty	S/P/F	Description
1	9837	0	S	NUT-LOCK 3/8-16 NYLON ZP
2	20513	0		BUSHING-.54X.38X.08
3	9460	0		IDLER-REV
4	9090	0	S	PULLEY-IDLER FORWARD
5	9091	0		SPACER-IDLER FWD
6	9338	0	S	PIN-CLIP .08
7	9807	0		NUT-H/LK 3/8-16
8	9801	0		NUT-HEX 5/16-18 ZP
9	9912	0		WASHER-LK .312 ZP
10	20545	0	S	WASHER-#.75X.32X.09 ZP
11	9479	0	S	BUSHING-.438X.323X.712
12	20899	0	S	ARM-IDLER - LEFT, FWD PNT
13	20760	0		IDLER- RIGHT, REV
14	1492	0	S	SPRING-.436 X 3.25
15	20517-01	0		LINK-FWD
16	20517-02	0		LINK-REV
17	9340	0		PIN-CLEVIS .375X.719 ZP
18	20751	0		MOUNT BAR-PNT (20691)
19	9741	0	S	BOLT-HH 5/16-18 X 2 G5 ZP
20	20842	0	S	SHIFT BASE-OPC PNT
21	20553	0	S	SPACER-.88X.385X.09 ZP
22	9532	0	S	RING-KLIP .500 ZINC
23	20546	0	S	WASHER-#.88X.51X.063 ZP
24	20838	0	S	BELLCRANK-OPC PNT
25	9712	0		SCR-HH 3/8-16X1.25
26	20506	0		PIVOT-ROD
27	20532	0	S	BUSHING-.5X.38X.4
28	90045	0		SCR-HFLK 5/16-18X1.00 ZP

15021S JUNIOR V OPC (4HP) (S/N M0100970-M0108416)
HANDLE BARS & CONTROL LEVERS

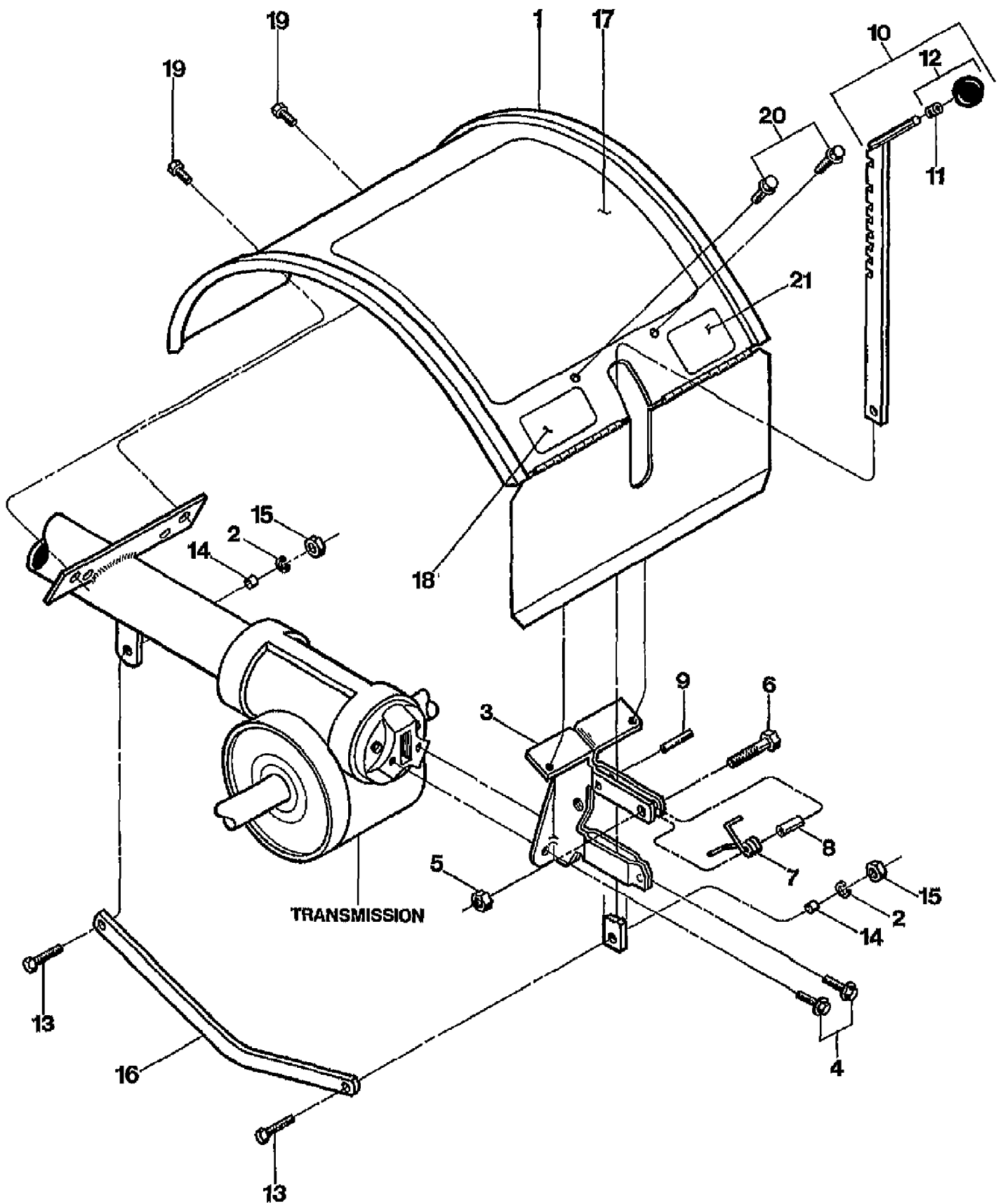


15021S JUNIOR V OPC (4HP) (S/N M0100970-M0108416)
HANDLE BARS & CONTROL LEVERS

Page 6 of 16

Ref #	Part Number	Qty	S/P/F	Description
1	50253	0		ASSM-HANDLEBAR (INCL #2-5A)
2	9126	0	S	GRIP-H/B 1" PONY/P-J OPC
3	50242	0		DECAL-CONTROL PANEL OPC
4	9251	0		BUSHING-NYLON (PART OF OPER CNTL PANEL)
5	20703	0		ASSM-STUD H/B (HEIGHT ADJUSTMENT)
5A	9955	0	S	WASHER-1.0X.38X.375 (USED WITH #5)
6	20753	0		PLATE-HANDLEBAR HEIGHT ADJUST
7	9711	0		SCR-HH 3/8-16X1.0 G5 ZP (HANDLEBAR ATTACH)
8	9904	0	S	WASHER-FLAT 3/8 SAE (HANDLEBAR ATTACH)
9	9837	0	S	NUT-LOCK 3/8-16 NYLON ZP (HANDLEBAR ATTACH)
10	9338	0	S/F	PIN-CLIP .08
11	20830	0		ROD-REV W/GRIP OPC - COMPLETE (INCL. GRIP #9198)
12	9198	0		GRIP-CONTROL ROD
13	9709	0	F	SCR-HH 3/8-16X.75 G5
14	9913	0	F	WASHER-LK .375
15	9441	0		CABLE-THROTTLE JR OPC
16	9202	0	S/F	TIE-RED (PLASTIC)
17	9212	0	S	KNOB-THROTTLE CABLE
18	9722	0		SCR-RH M10-32X.5 MACH
19	9909	0		WASHER-LK M10
20	9809	0		NUT-HH M10-32X.125
21	9390	0	S	GRIP-PADDLE SM FRAME OPC
22	20863	0	S	BAIL W/GRIPS OPC (INCL. 2 GRIPS, #21)
23	20862	0	S	ASSM-ADJUSTMENT OPC (INCL. 25-27, 29, 35-36)
24	9386	0		RING-KLIP .188 DIA
25	20808	0	S	ADJUSTER-RT SIDE OPC
26	20809	0	S	ADJUSTER-LT SIDE OPC
27	9059	0	S	SPRING-ADJUSTER OPC
28	9522	0		WELDNUT 5/16-18
29	9532	0	S	RING-KLIP .500 ZINC
30	20831	0	S	ROD-CONTROL OPC
31	97083	0		ASSM-PIN & CLIP (SMALL FRAME)
32	9853	0	S	NUT W/LKWASHER #10-32 ZP
33	20806	0	S	BRACKET-BAIL OPC
34	20888	0	S	SWIVEL-SMALL FRAME
35	9432	0		BUSHING-.5X.334X2.88
36	9973	0		WASHER-.75X.51X.06 ZP
37	9701	0		SCR-HH 1/4-20X.75 G5 ZP
38	9811	0		NUT-LK 1/4-20
39	9552	0	S	SCR-HWH 1/4-20 X .5 STH

15021S JUNIOR V OPC (4HP) (S/N M0100970-M0108416)
HOOD & DEPTH REGULATOR

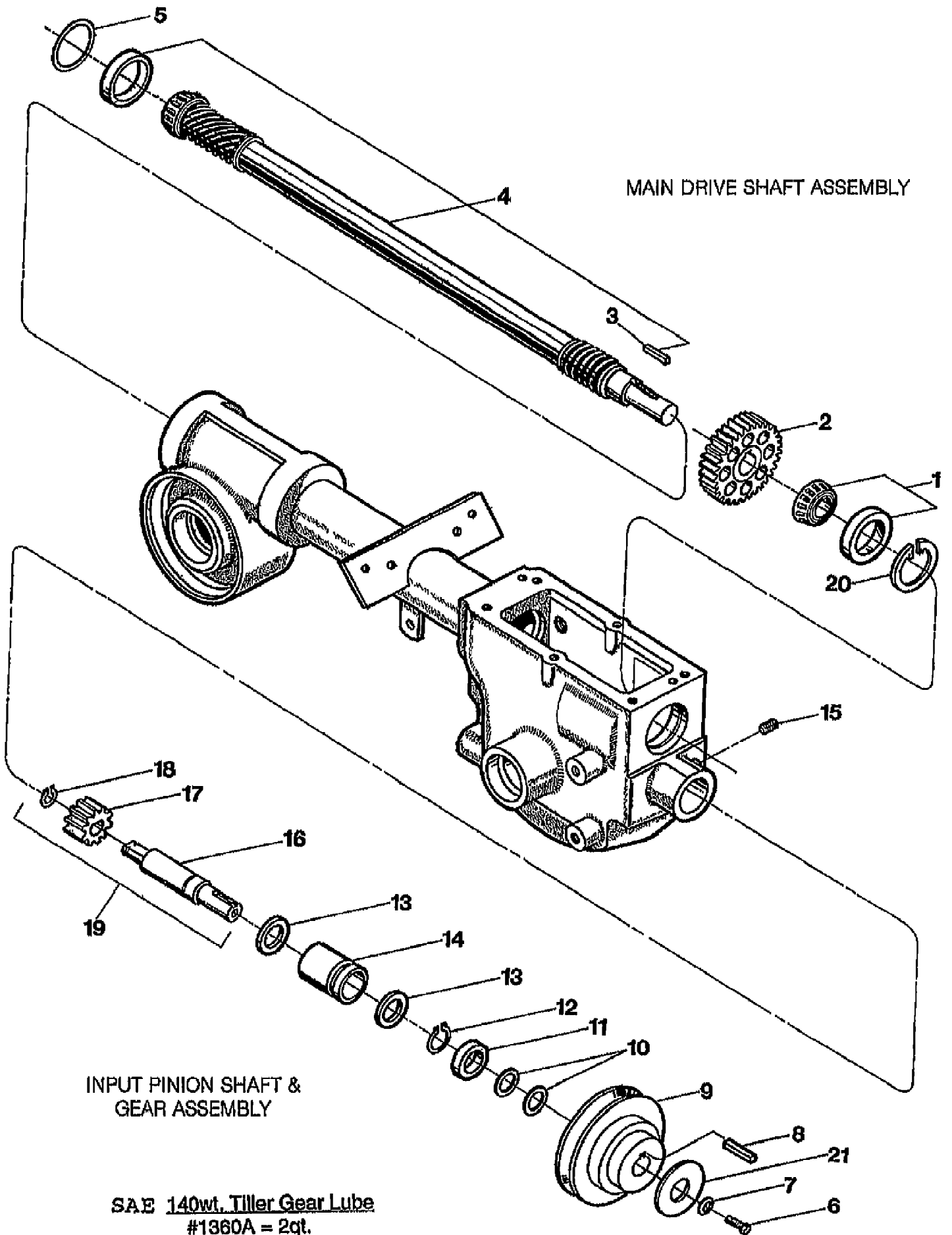


15021S JUNIOR V OPC (4HP) (S/N M0100970-M0108416)
HOOD & DEPTH REGULATOR

Page 8 of 16

Ref #	Part Number	Qty	S/P/F	Description
1	50254	0		HOOD W/DECALS JR OPC (INCL. 17,18 & 21)
2	9913	0		WASHER-LK .375 @ DEPL
3	2527	0	S	BRKT W/ROLL PIN (9308) (INCL. 9)
4	90044	0		SCR-HFLK 5/16-18X.75 ZP
5	9811	0		NUT-LK 1/4-20
6	9734	0		SCR-HH 1/4-20X1.0
7	9384	0	S	SPRING-TORSION
8	9534	0	S	SPACER-.250X.343X.375
9	9308	0	S	PIN-ROLL .25 X 1 (SPIRAL)
10	1117A	0	S	DEPTH REGULATOR W/KNOB (INCL. 11 & 12)
11	9120	0	S	RING-TOLERANCE .5325 ID
12	9119	0	S	KNOB-CONTROL (INCL. 11)
13	9712	0		SCR-HH 3/8-16X1.25
14	1113-1	0	S	BUSHING-.5X.375X.3
15	9802	0		NUT-HEX 3/8-16 ZP
16	20775	0	S	DRAG BAR-BENT
17	50241	0		DECAL-HOOD INST JR OPC
18	50250	0		DECAL-LOGO JUNIOR OPC (MODEL NAME DECAL)
19	9553	0	S	SCR-HWH 5/16-18 X .5 STH
20	9552	0	S/F	SCR-HWH 1/4-20 X .5 STH
21	20814	0		DECAL-TINE WARN SM FRAME

15021S JUNIOR V OPC (4HP) (S/N M0100970-M0108416)
MAIN DRIVE SHAFT & GEAR ASSEMBLY



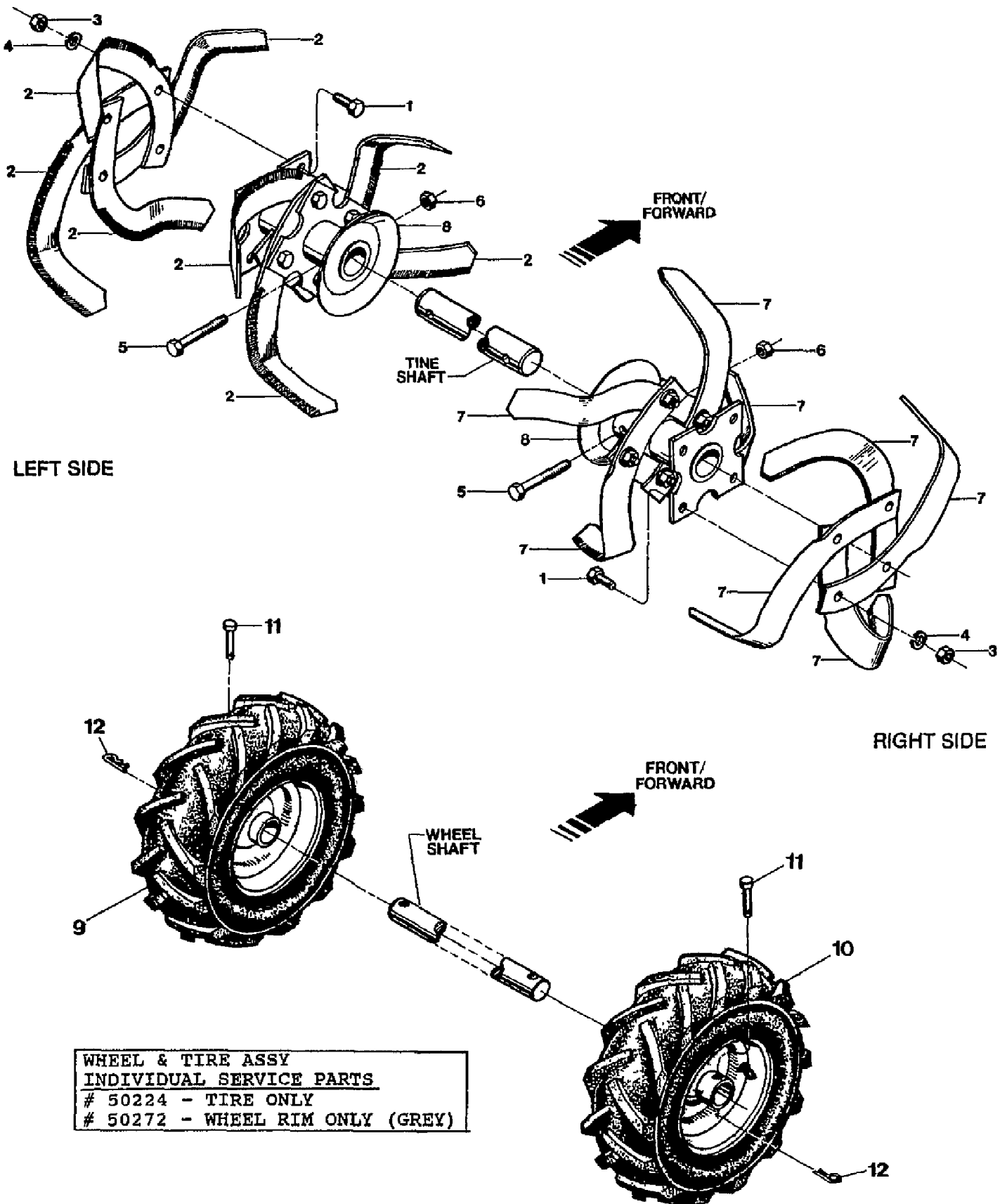
SAE 140wt. Tiller Gear Lube
#1360A = 2qt.
#1901964 = 1qt.

15021S JUNIOR V OPC (4HP) (S/N M0100970-M0108416)
MAIN DRIVE SHAFT & GEAR ASSEMBLY

Page 10 of 16

Ref #	Part Number	Qty	S/P/F	Description
1	1714	0	S	KIT-BRG CONE&RACE-DRIVESHAFT
2	20718	0	S	GEAR-SPUR 30 TEETH
3	9301	0	S	KEY-.188 SQX1.0
4	10360	0	F	KIT-DRIVESHAFT
5	1224-1	0	S/F	SHIM-1.75X1.5X.01
5	1224-2	0	S/F	SHIM-1.75X1.5X.03
5	1224-3	0	S/F	SHIM-1.75X1.5X.005
	1325C	0	S	SHIM SET-DRIVESHAFT-HORSE (INCL. 2 #1224-1; 2 #1224-2; 1 #1224-3)
6	9655	0	S	SCR-HH 5/16-24X.75 G5 ZP
7	9944	0	S	WASHER-.827X.331X.098 (CONCAVE SURFACE FACES PULLEY)
8	9301	0	S	KEY-.188 SQX1.0
9	20880	0		PULLEY-TRANS MACH
10	1440	0	S	WASHER # .875 X .65 X .06
11	9600	0		SEAL-PINION SHAFT PT/85030/00
12	9500	0	S	RING-RETAIN EXT .707 ID (SNAP-RING)
13	9953	0	S	WASHER-1.022X.752X .059
14	9428	0	S	BUSHING-1.24X.75X1.8 GRVD
15	9677	0	S	SCR-SS 5/16-18X.375
16	20791	0	S	SHAFT-PINION(P-V)
17	20792	0	S	GEAR-PINION P/M
18	9093	0	S	RING-BOWED EXT .461 ID
19	20799	0	S	PINION W/GEAR&SNAP RING (INCL. 1 EA OF 16 17, & 18)
20	9517	0	S	RING-RETAINING 5000-181
21	94018	0	S	WASHER-2.5X.316X.06
	1360A	0		OIL (1901964)
	1901964	0		OIL-GEAR 1 QT 140WT

15021S JUNIOR V OPC (4HP) (S/N M0100970-M0108416)
 TIRES & WHEELS

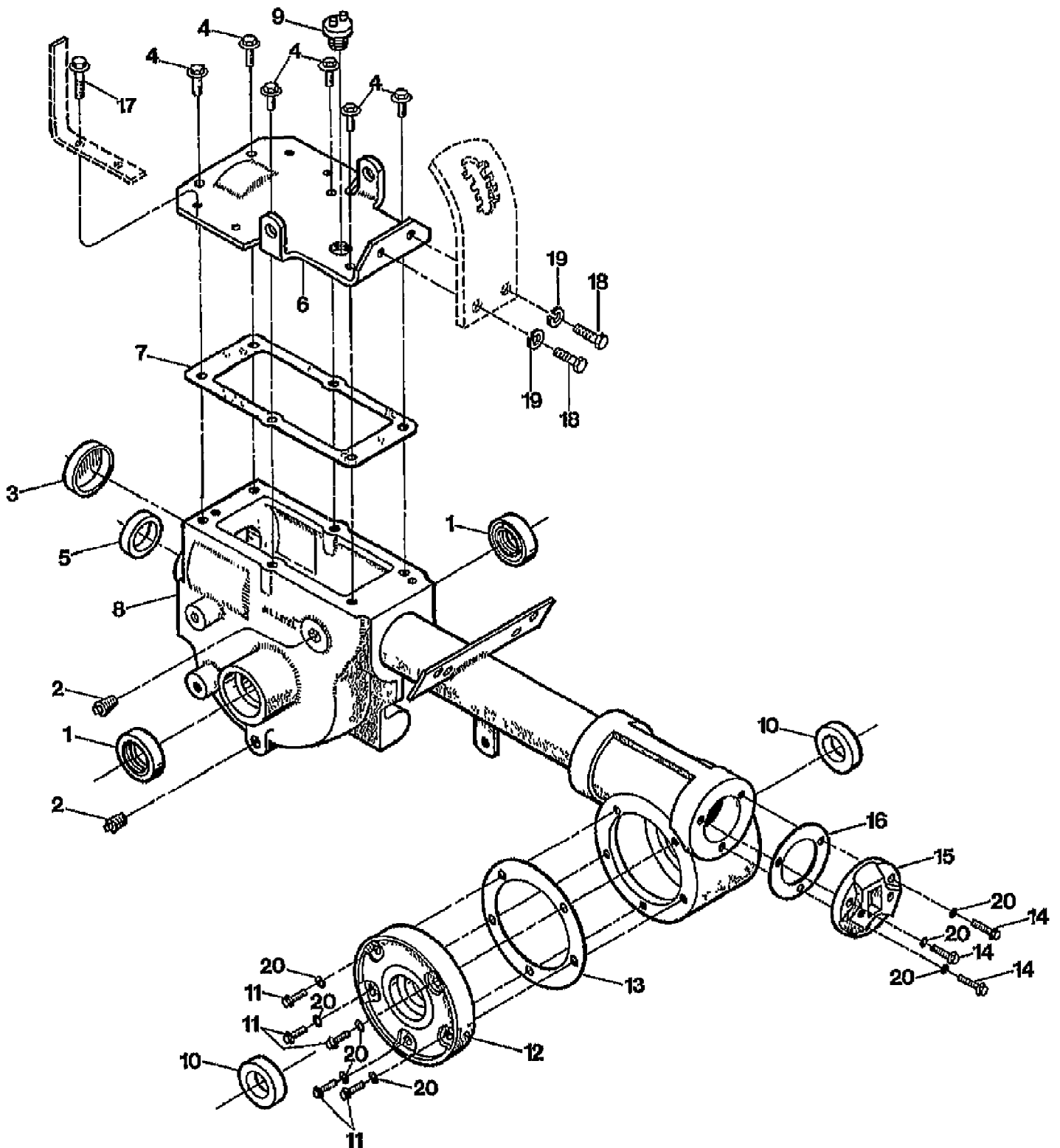


15021S JUNIOR V OPC (4HP) (S/N M0100970-M0108416)
TIRES & WHEELS

Page 12 of 16

Ref #	Part Number	Qty	S/P/F	Description
1	9711	0		SCR-HH 3/8-16X1.0 G5 ZP
2	50049-01	0	S	TINE-BOLO RH TINE USED ON LEFT SIDE OF TILLER.
3	9802	0		NUT-HEX 3/8-16 ZP
4	9913	0		WASHER-LK .375 @ DEPL
5	9761	0		SCR-HH 3/8-16X2.00 G8
6	9807	0		NUT-H/LK 3/8-16
7	50049-02	0	S	TINE-BOLO LH TINE USED ON RIGHT SIDE OF TILLER.
8	50219	0		HOLDER-TINE JUNIOR (FOR BOLO TINES, LH & RH SIDES.)
	1901	0	S	TINES-BOLO JUNIOR/TUFFY (INCL 8 EA OF RH & LH TINES. 16 EA OF NO.'S 1,3 AND 4)
9	50223-1	0	F	ASSM-WHEEL&TIRE LT
10	50223-2	0	F	ASSM-WHEEL&TIRE RT
	50224	0		TIRE 3.25-5
	50272	0		RIM-WHEEL 5" GRAY
11	9380	0	S	PIN-CLEVIS .312"X11/2" (SECURES WHEEL HUB TO WHEEL SHAFT)
12	9338	0	S	PIN-CLIP .08

15021S JUNIOR V OPC (4HP) (S/N M0100970-M0108416)
TRANSMISSION HSG. & SEALS/GASKETS



SAE 140wt. Tiller Gear Lube
#1360A = 2qt.
#1901964 = 1qt.

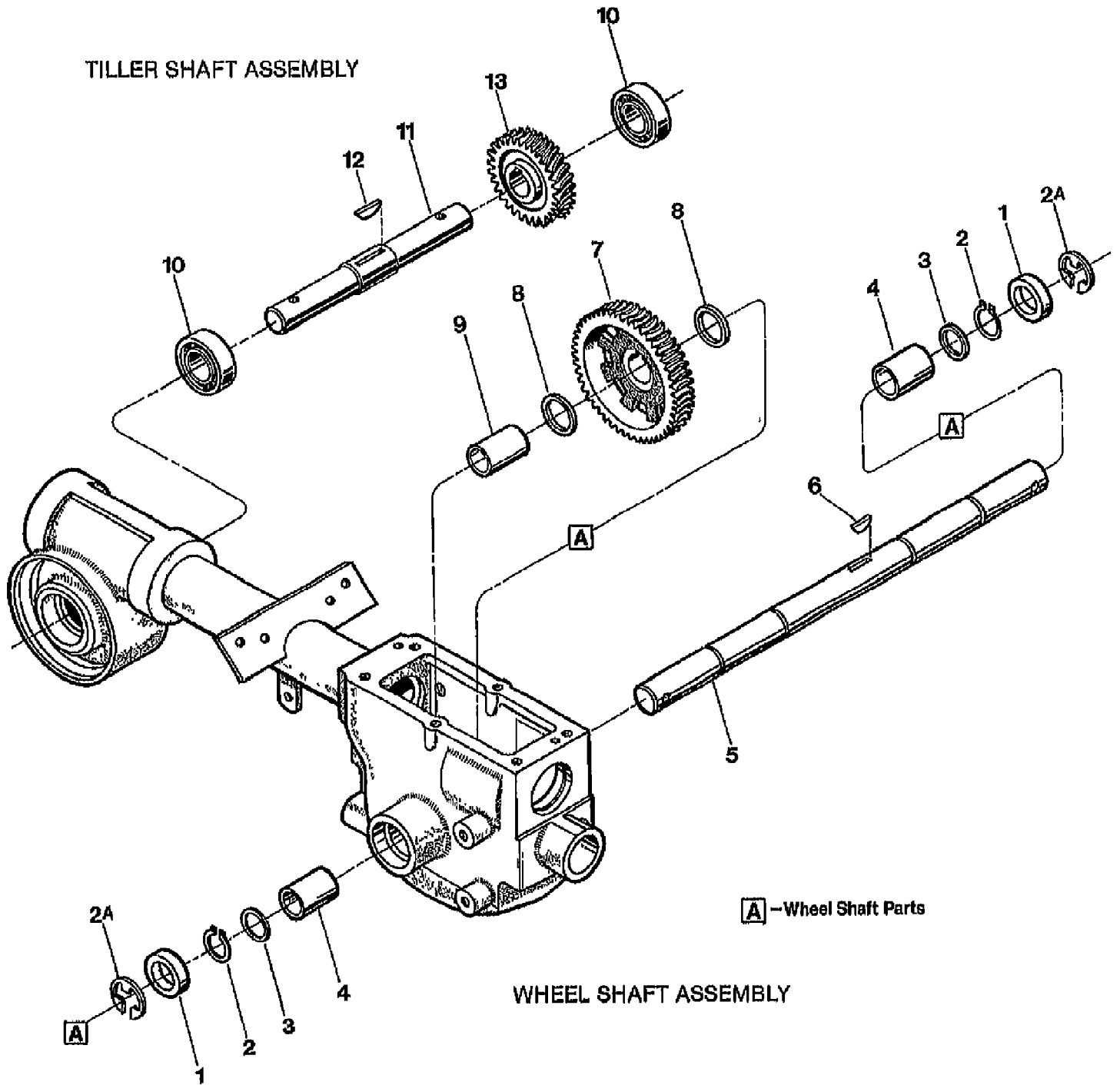
15021S JUNIOR V OPC (4HP) (S/N M0100970-M0108416)
TRANSMISSION HSG. & SEALS/GASKETS

Page 14 of 16

Ref #	Part Number	Qty	S/P/F	Description
1	9621	0	S	SEAL-OIL-DOUBLE LIP, WHEEL SHAFT, RH & LH
2	9726	0	S	PLUG-PIPE 1/4 NPT, OIL LEVEL HOLE & GEAR OIL DRAIN HOLE.
3	97076	0	S	SEAL-BORE TRANSMISSION
4	90044	0		SCR-HFLK 5/16-18X.75 ZP
5	9600	0		SEAL-PINION SHAFT PT/85030/00
6	11513	0		KIT-COVER TRANS W/HDW (INCL. FOUR NO. 17 & TWO EA. OF NO. 18 & 19)
7	20694	0	S	GASKET-TRANS COVER
8	50262	0		ASSM-TRANS A-UNIT JR W/UP
9	9467	0	S	PLUG-OIL FILL 3/4-10 FOR GEAR OIL FILL HOLE ON TRANSMISSION COVER.
10	97073	0	S	SEAL-TILLER SHAFT TILLER SHAFT RH & LH
11	9780	0		SCR-HH 1/4-20X.625
12	20873	0	S	COVER-TILLER HSG MACH TILLER HOUSING LH (INCL. 5 SCREWS NO.11)
13	1129-1	0	S	GASKET-TILLER COVER .010" THICK (FITS ALL COVERS)
14	9773	0		SCR-HFLK 1/4-20X.875
15	1115	0		CAP-REAR #1115
16	1124-2	0	S	GASKET-BRG COVER
17	90045	0		SCR-HFLK 5/16-18X1.00 ZP
18	9709	0		SCR-HH 3/8-16X.75 G5 ZP
19	9913	0		WASHER-LK .375 @ DEPL
20	0	0	F	WASHER, NYLON
	1360A	0		OIL (1901964)
	1901964	0		OIL-GEAR 1 QT 140WT

15021S JUNIOR V OPC (4HP) (S/N M0100970-M0108416)
WHEEL TILLER SHAFT ASSEMBLIES

TILLER SHAFT ASSEMBLY



WHEEL SHAFT ASSEMBLY

SAE 140wt. Tiller Gear Lube
#1360A = 2qt.
#1901964 = 1qt.

15021S JUNIOR V OPC (4HP) (S/N M0100970-M0108416)
WHEEL TILLER SHAFT ASSEMBLIES

Page 16 of 16

Ref #	Part Number	Qty	S/P/F	Description
1	9621	0	S	SEAL-OIL WHEELSHAFT
2	9511	0	S	RING-HEAVY EXT .906 ID
2A	9512	0	S	RING-RETAINING 5133-989
3	1166-1	0	S	SHIM-1.375X1.015X.062
3	1166-2	0	S	SHIM-1.375X1.015X.03
3	1166-3	0	S	SHIM-1.375X1.015X.015
3	1166-4	0	S	SHIM-1.375X1.015X.01
4	1086	0	S	BUSHING-1.25X1.005X1.5
5	50230	0		ASSM-WHEELSHAFT W/KEY (INCL. 6)
6	9097	0		KEY-HI PRO .25X.938
7	50217	0		GEAR-MACH (WORM GEAR)
8	1132-3	0	S	SHIM-1.234X1.015X.01
9	50216	0		SPACER-WHEEL SHAFT
10	97074	0	S	BEARING-BALL
11	20896	0	S	SHAFT-W/KEY (TILLER) (INCL. 12)
12	1104	0	S	KEY-WOODRUFF .25X1.12
13	20776	0		GEAR-TILLER MACH
	1360A	0		OIL (1901964)
	1901964	0		OIL-GEAR 1 QT 140WT