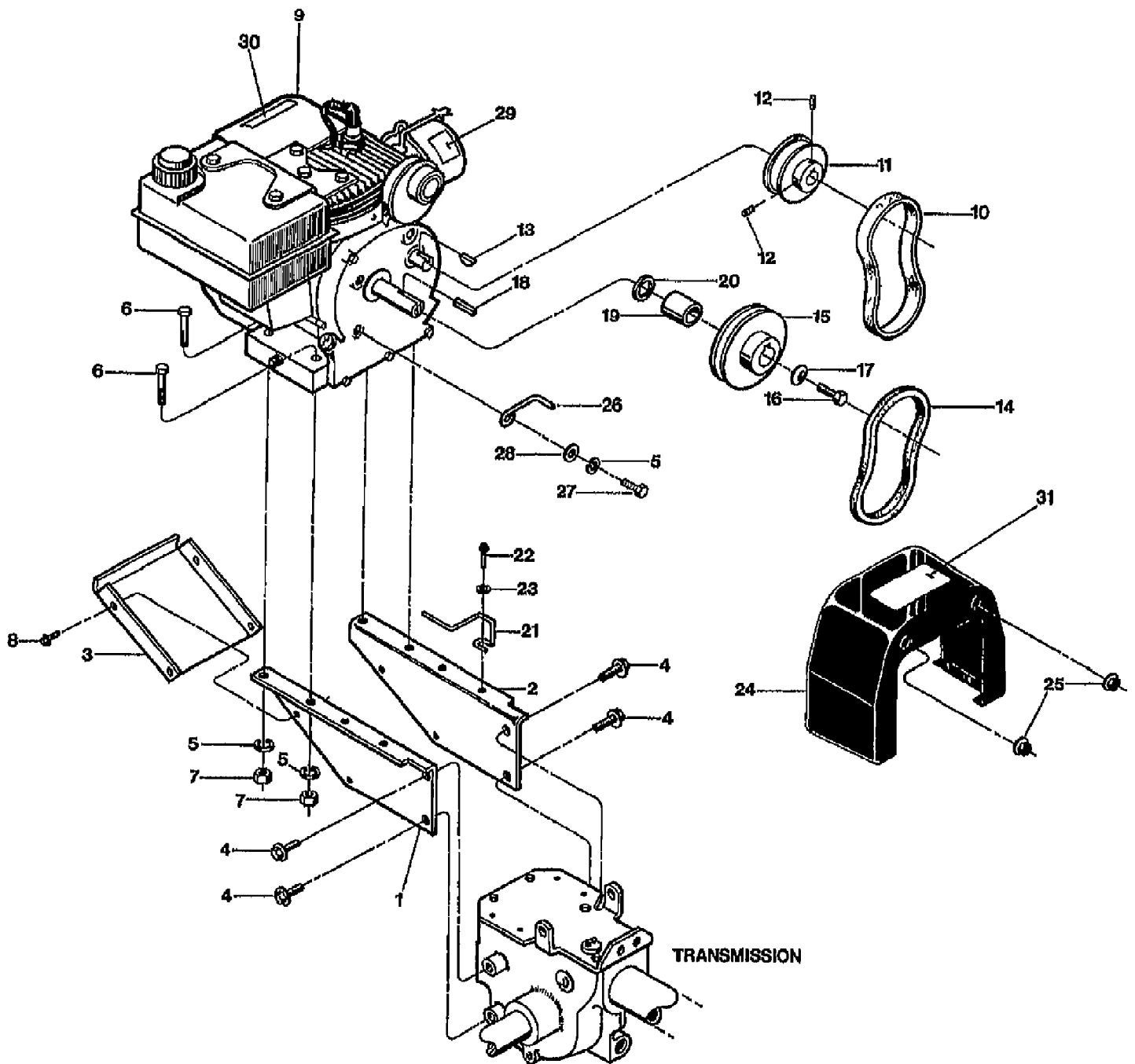


15021 JUNIOR VI OPC (4HP) (S/N M0115495 - UP)
ENGINE, PULLEYS & BELTS

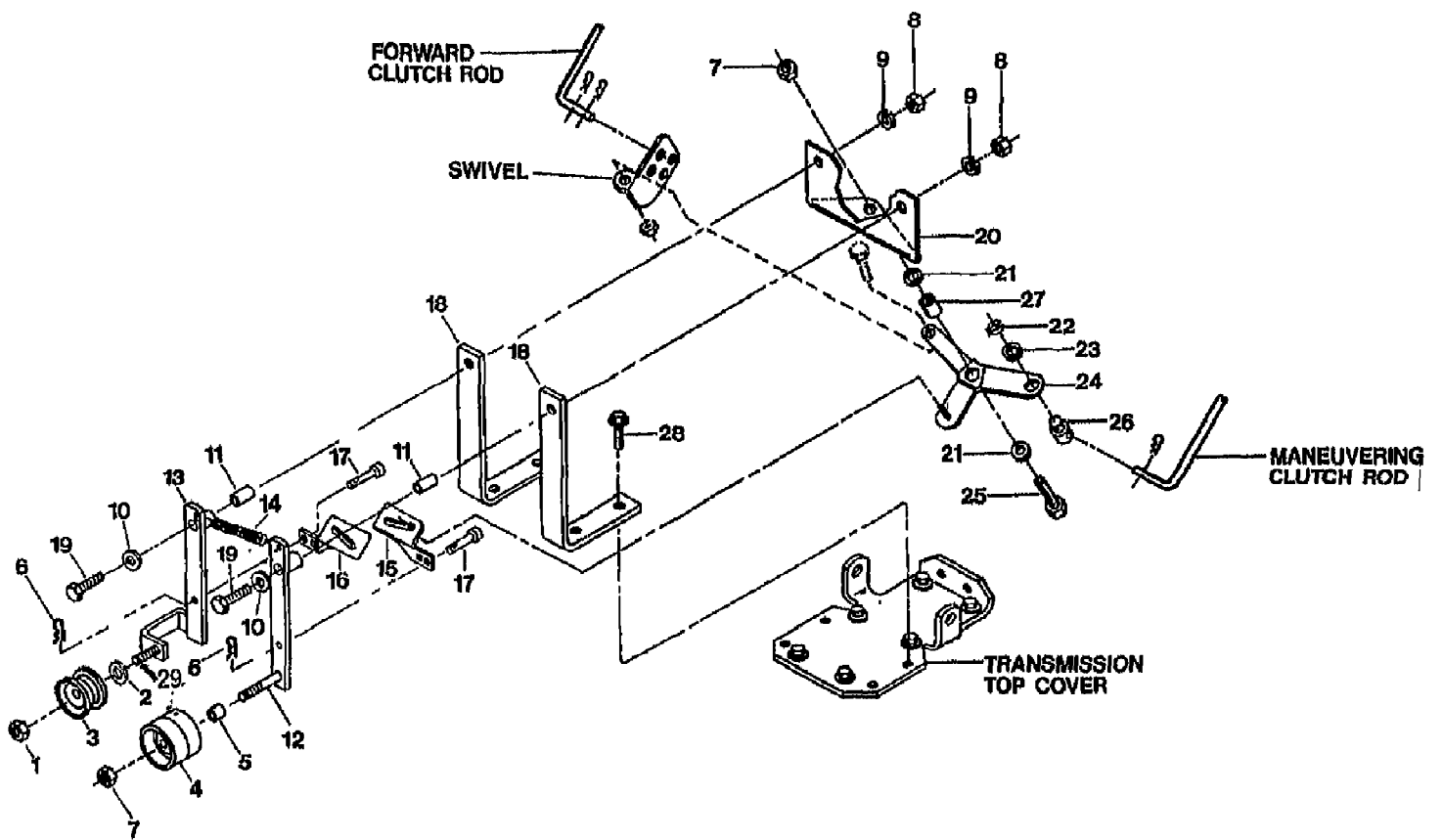


15021 JUNIOR VI OPC (4HP) (S/N M0115495 - UP)
ENGINE, PULLEYS & BELTS

Page 2 of 16

Ref #	Part Number	Qty	S/P/F	Description
1	20754	0		BRKT-ENG LT P4
2	20755	0	S	BRKT-ENG RT PNT
3	20673	0	S	PAN-ENG BRKT PNT
4	90044	0		SCR-HFLK 5/16-18X.75 ZP
5	GW-9912	0	S	WASHER-LK .312 ZP
6	1100799	0	S	SCR-HH 5/16-18X1.5 G5 ZP
7	GW-9801	0	S	NUT-HEX 5/16-18 ZP
8	1900396	0	/P	SCR-HW M10-32X.5 THRD ROLL
9	0	0	F	ENGINE, FOR TILLER MODELS 15006 AND 12079 ONLY
10	97075	0	S	BELT-FLAT (SEE BELT SET BELOW)
11	20882	0		PULLEY-REV DRILL/TAP
12	9561	0	S	SCR-SS 1/4-20 X .25
13	9361	0	S	KEY-WOODRUFF #5
14	1909404	0	/P	BELT-V GROOVE FWD SMFRAME
	11516	0		BELT SET (INCL. 10 & 14)
15	20765	0		PULLEY-ENGINE MACH
16	GW-9549	0	S	SCR-HH 3/8-24X1.0 G5 ZP
17	9925	0		WASHER-.994X.413X.145
18	9301	0	S	KEY-.188 SQX1.0
19	97078	0		SPACER-.938X.755X1.44
20	1138-2	0	S	SHIM-1.0X.7656X.031
21	20555	0		GUIDE-BELT FWD
22	9573	0	S	SCR-HWH 1/4-20 X .75 STH
23	GW-9900	0	S	WASHER-FLAT 1/4 SAE
24	20916	0	S	COVER-BELT W/DECAL (INCL. 31)
24	1904569	0	S	COVER-BELT W/DECAL (INCL. 31) 150060400101 & UP
25	GW-9848	0	S	NUT-HFLK 5/16-18 ZP
26	20890	0		STOP-BELT
27	9655	0	S	SCR-HH 5/16-24X.75 G5 ZP
28	GW-9902	0	S	WASHER-FLAT 5/16 SAE
29	55053	0		DECAL-HOT SURFACE
29	1904549	0		DECAL-HOT SURFACE 150060400101 & UP
30	1900766	0		DECAL-STARTING STABIL
31	20818	0	S	DECAL-BELT COVER OPC
31	1904557	0		DECAL-BELT COVER 150060400101 & UP

15021 JUNIOR VI OPC (4HP) (S/N M0115495 - UP)
FORWARD/REVERSE IDLER ASSEMBLY

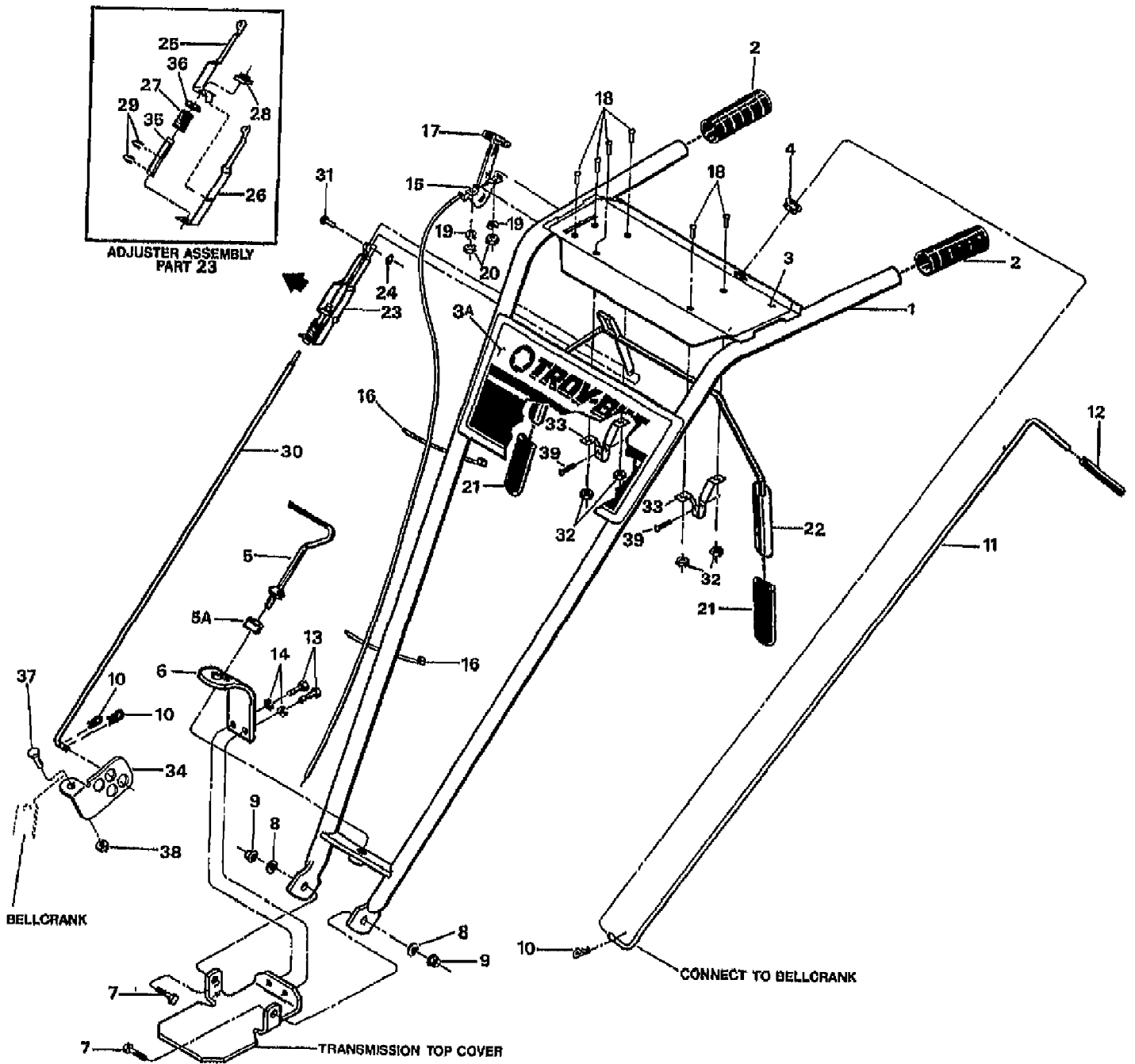


15021 JUNIOR VI OPC (4HP) (S/N M0115495 - UP)
FORWARD/REVERSE IDLER ASSEMBLY

Page 4 of 16

Ref #	Part Number	Qty	S/P/F	Description
1	1185506	0	S	NUT-HEX/JAM 3/8-16 ZP
2	20513	0		BUSHING-.54X.38X.08
3	9460	0		IDLER-REV
3	1909266	0	S	PULLEY-IDLER REVERSE
4	9090	0	S	PULLEY-IDLER FORWARD
5	9091	0		SPACER-IDLER FWD
6	9338	0	S	PIN-CLIP .08
7	9807	0		NUT-H/LK 3/8-16
8	9801	0		NUT-HEX 5/16-18 ZP
9	9912	0		WASHER-LK .312 ZP
10	20545	0	S	WASHER-#.75X.32X.09 ZP
11	9479	0	S	BUSHING-.438X.323X.712
12	20899	0	S	ARM-IDLER FWD PNT
13	20760	0		IDLER-REV
13	1909682010	0		ARM-IDLER REV RED
14	1492	0	S	SPRING-.436 X 3.25
15	20517-01	0		LINK-FWD
16	20517-02	0		LINK-REV
17	9340	0		PIN-CLEVIS .375X.719 ZP
18	20751	0		MOUNT BAR-PNT (20691)
19	9966	0		SCR-HH 5/16-18X2.25 G5ZP
20	20842	0	S	SHIFT BASE-OPC PNT
21	20553	0	S	SPACER-.88X.385X.09 ZP
22	9532	0	S	RING-KLIP .500 ZINC
23	20546	0	S	WASHER-#.88X.51X.063 ZP
24	20838	0	S	BELLCRANK-OPC PNT
25	9712	0		SCR-HH 3/8-16X1.25
26	20506	0		PIVOT-ROD
27	20532	0	S	BUSHING-.5X.38X.4
28	90045	0		SCR-HFLK 5/16-18X1.00 ZP
29	1186331	0	S	SCR-HFLK 5/16-18X1.00 ZP

15021 JUNIOR VI OPC (4HP) (S/N M0115495 - UP)
HANDLE BARS & CONTROL LEVERS

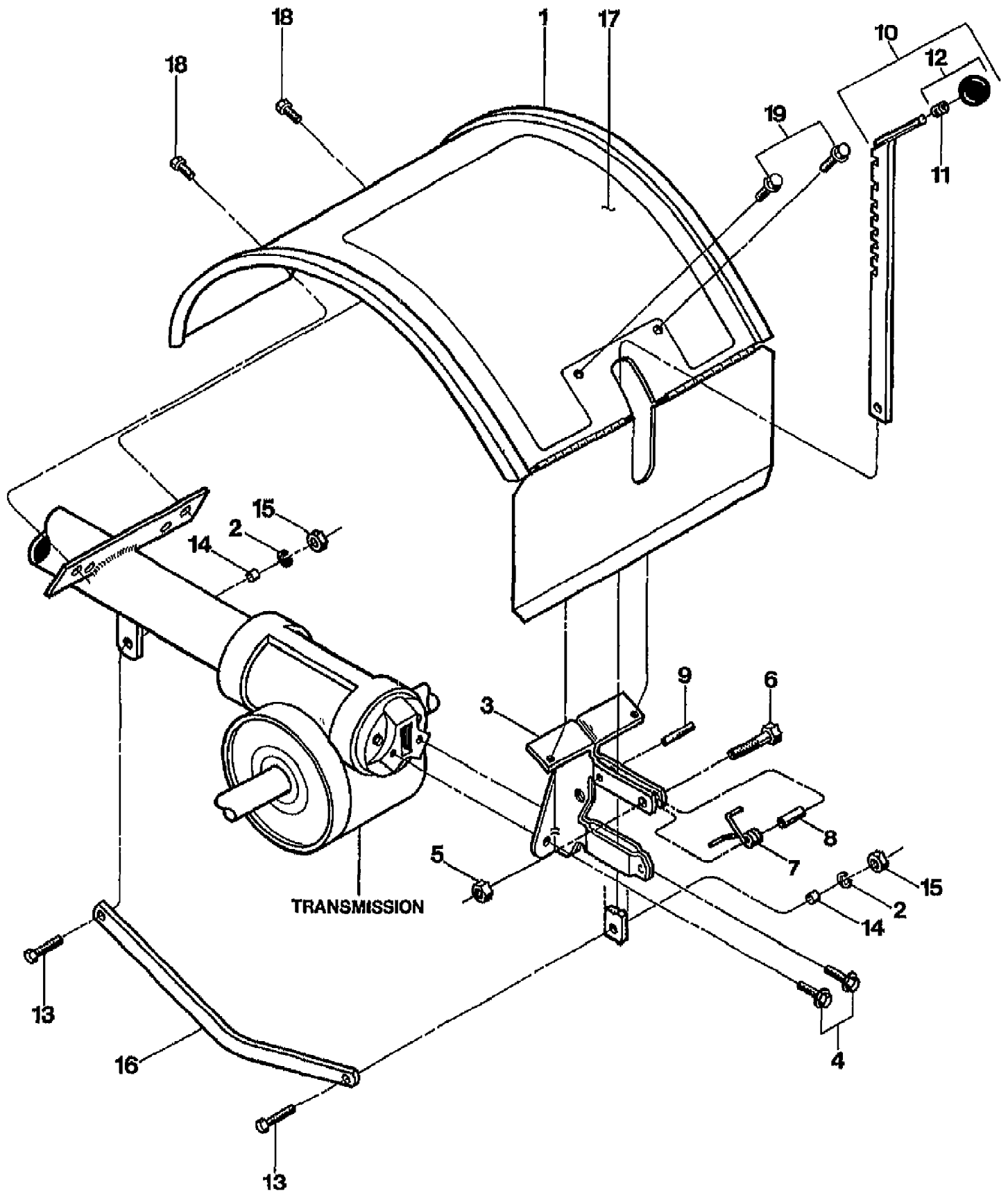


15021 JUNIOR VI OPC (4HP) (S/N M0115495 - UP)
HANDLE BARS & CONTROL LEVERS

Page 6 of 16

Ref #	Part Number	Qty	S/P/F	Description
1	50279	0		ASSM-HANDLEBAR W/GRIPS (INCL. 2,3,3A,4)
2	9126	0	S	GRIP-H/B 1" PONY/P-J OPC
3	1900356	0		DECAL-CONTROL PANEL JR
3A	50276	0		DECAL-Graphics PANEL JR
4	9251	0		BUSHING-NYLON
5	20703	0		ASSM-STUD H/B
5A	9955	0	S	WASHER-1.0X.38X.375
6	1900475010	0	/P	PLATE-HANDLEBAR ADJUST
7	9711	0		SCR-HH 3/8-16X1.0 G5 ZP
8	9904	0	S	WASHER-FLAT 3/8 SAE
9	9837	0	S	NUT-LOCK 3/8-16 NYLON ZP
10	9338	0	S	PIN-CLIP .08
11	20830	0		ROD-REV W/GRIP OPC (INCL. 12)
12	9198	0		GRIP-CONTROL ROD
13	1100068	0	S	SCR-HH 3/8-16X.75 G5 ZP
14	9913	0		WASHER-LK .375 @ DEPL
15	9441	0		CABLE-THROTTLE JR OPC
16	9202	0	S	TIE-RED
17	9212	0	S	KNOB-THROTTLE CABLE
18	9722	0		SCR-RH M10-32X.5 MACH
19	9909	0		WASHER-LK M10
20	9809	0		NUT-HH M10-32X.125
21	9390	0	S	GRIP-PADDLE SM FRAME OPC
22	20863	0	S	BAIL W/GRIPS OPC (INCL. 2 NO. 21)
23	20862	0	S	ASSM-ADJUSTMENT OPC (INCL. 25,26,27,29, 35, 36)
24	9386	0		RING-KLIP .188 DIA
25	20808	0	S	ADJUSTER-RT SIDE OPC
26	20809	0	S	ADJUSTER-LT SIDE OPC
27	9059	0	S	SPRING-ADJUSTER OPC
28	9522	0		WELDNUT 5/16-18
29	9532	0	S	RING-KLIP .500 ZINC
30	20831	0	S	ROD-CONTROL OPC
31	97083	0		ASSM-PIN & CLIP (SMALL FRAME)
32	9853	0	S	NUT W/LKWASHER #10-32 ZP
33	20806	0	S	BRACKET-BAIL OPC
34	20888	0	S	SWIVEL-SMALL FRAME
35	9432	0		BUSHING-.5X.334X2.88
36	9973	0		WASHER-.75X.51X.06 ZP
37	90070	0		SCR-HH 1/4-20X.75 G5 ZP
38	9811	0		NUT-LK 1/4-20
39	9552	0	S	SCR-HWH 1/4-20 X .5 STH

15021 JUNIOR VI OPC (4HP) (S/N M0115495 - UP)
HOOD & DEPTH CONTROL LEVERS

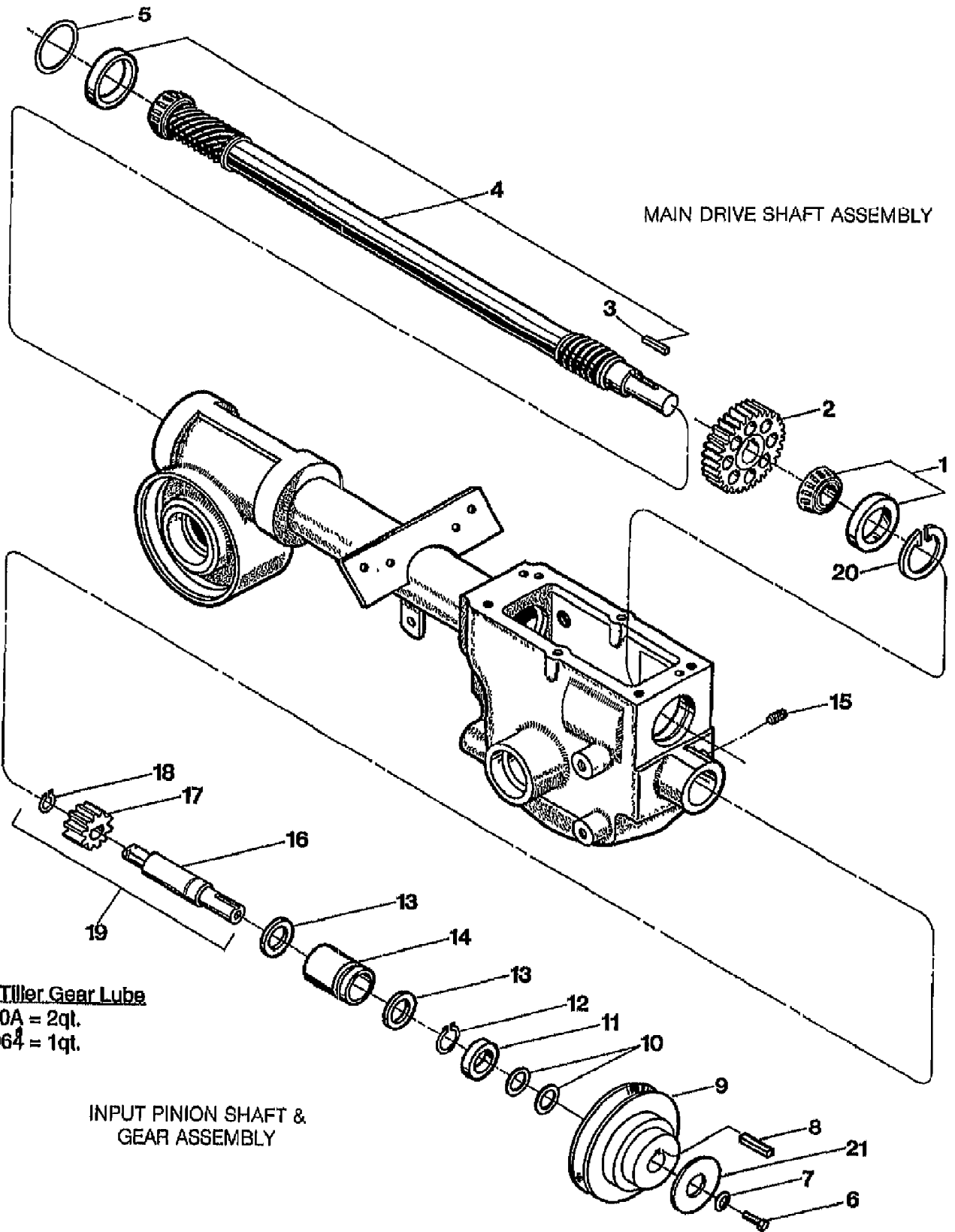


15021 JUNIOR VI OPC (4HP) (S/N M0115495 - UP)
HOOD & DEPTH CONTROL LEVERS

Page 8 of 16

Ref #	Part Number	Qty	S/P/F	Description
1	50254	0		HOOD W/DECALS JR OPC (INCL. 17)
1	1904571	0	/P	HOOD W/DECALS JUNIOR (INCL. 17)
2	9913	0		WASHER-LK .375 @ DEPL
3	2527	0	S	BRKT W/ROLL PIN (9308) (INCL.9)
4	90038	0		SCR-HFLK 5/16-18X.62 G5ZP
5	9811	0		NUT-LK 1/4-20
6	1100069	0	S	SCR-HH 1/4-20X1.0
7	9384	0	S	SPRING-TORSION
8	9534	0	S	SPACER-.250X.343X.375
9	9308	0	S	PIN-ROLL .25 X 1
10	1117A	0	S	DEPTH REGULATOR W/KNOB (INCL. 11-12)
11	9120	0	S	RING-TOLERANCE .5325 ID
12	9119	0	S	KNOB-CONTROL (INCL.11)
13	1100043	0	S	SCR-HH 3/8-16X1.25
14	1113-1	0	S	BUSHING-.5X.375X.3
15	9802	0		NUT-HEX 3/8-16 ZP
16	20775	0	S	DRAG BAR-BENT (DEPTH REGULATOR)
17	50277	0		DECAL-HOOD JR
17	1904546	0		DECAL-HOOD INST JUNIOR
18	9553	0	S	SCR-HWH 5/16-18 X .5 STH
19	9552	0	S	SCR-HWH 1/4-20 X .5 STH

15021 JUNIOR VI OPC (4HP) (S/N M0115495 - UP)
MAIN DRIVE SHAFT & GEAR ASSEMBLIES



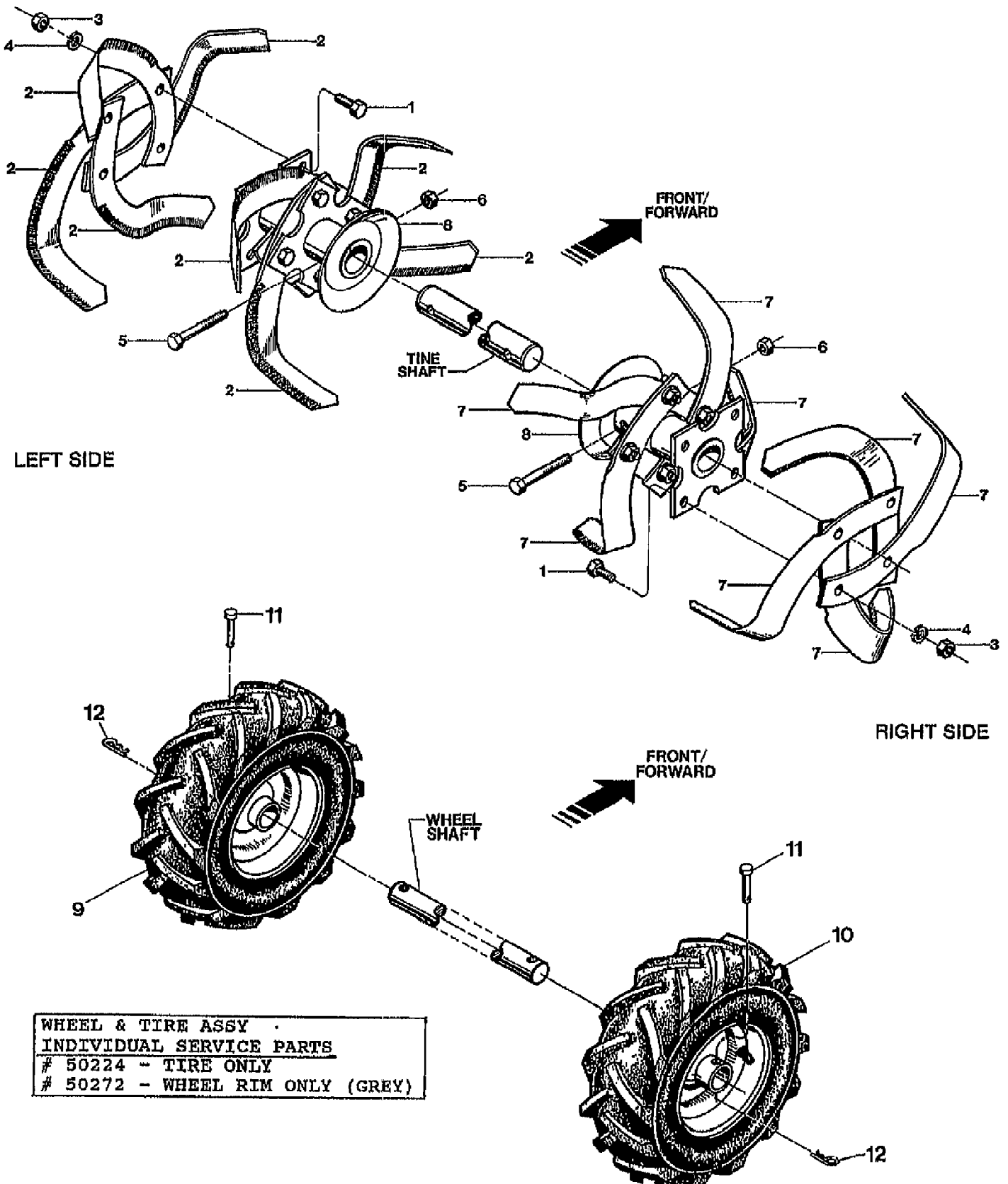
SAE 140wt. Tiller Gear Lube
#1360A = 2qt.
#1901964 = 1qt.

15021 JUNIOR VI OPC (4HP) (S/N M0115495 - UP)
MAIN DRIVE SHAFT & GEAR ASSEMBLIES

Page 10 of 16

Ref #	Part Number	Qty	S/P/F	Description
1	1714	0	S	KIT-BRG CONE&RACE-DRIVESHAFT (FRONT OF DRIVE SHAFT)
2	20718	0	S	GEAR-SPUR 30 TEETH
3	9301	0	S	KEY-.188 SQX1.0
4	10360	0	F	KIT-DRIVESHAFT
4	11603	0	F	KIT-DRIVESHAFT SMFR
5	1224-1	0	S/F	SHIM-1.75X1.5X.01
5	1224-2	0	S/F	SHIM-1.75X1.5X.03
5	1224-3	0	S/F	SHIM-1.75X1.5X.005
	1325C	0	S	SHIM SET-DRIVESHAFT-HORSE
6	9655	0	S	SCR-HH 5/16-24X.75 G5 ZP
7	9944	0	S	WASHER-.827X.331X.098
8	9301	0	S	KEY-.188 SQX1.0
9	20880	0		PULLEY-TRANS MACH
10	1440	0	S	WASHER # .875 X .65 X .06
11	85030	0		SEAL-PINION SHAFT PT/85030/00
12	9500	0	S	RING-RETAIN EXT .707 ID (SNPA RING)
13	9953	0	S	WASHER-1.022X.752X .059
14	9428	0	S	BUSHING-1.24X.75X1.8 GRVD
15	9677	0	S	SCR-SS 5/16-18X.375
16	20791	0	S	SHAFT-PINION(P-V)
17	20792	0	S	GEAR-PINION P/M
18	9093	0	S	RING-BOWED EXT .461 ID
19	20799	0	S	PINION W/GEAR&SNAP RING (INCL. 16-18)
20	9517	0	S	RING-RETAINING 5000-181
21	94018	0	S	WASHER-2.5X.316X.06
	1360A	0		OIL GEAR LUBE 2 QT 140WT
	1901964	0		OIL GEAR LUBE 1 QT 140WT

15021 JUNIOR VI OPC (4HP) (S/N M0115495 - UP)
TIRES & WHEELS

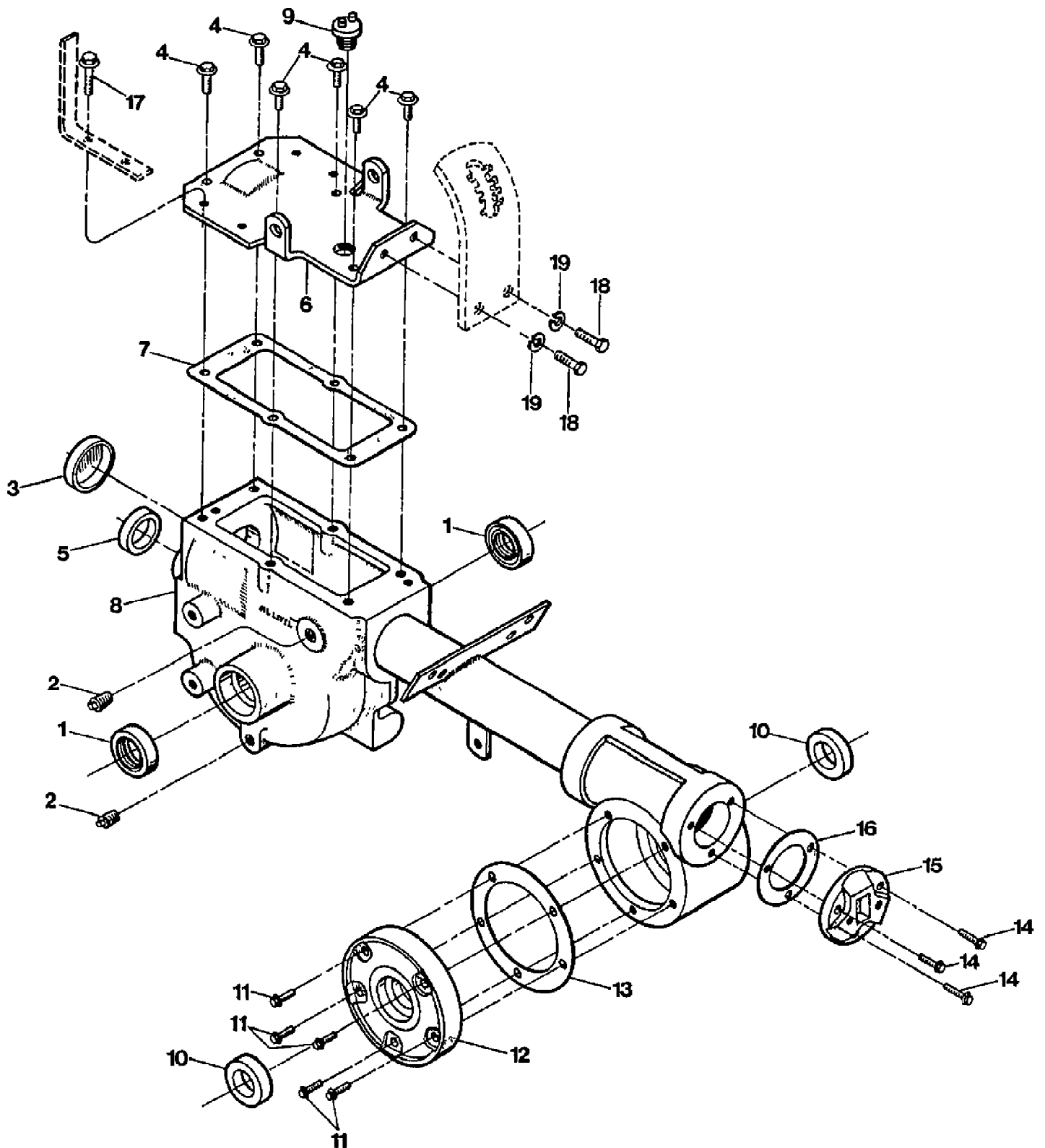


15021 JUNIOR VI OPC (4HP) (S/N M0115495 - UP)
TIRES & WHEELS

Page 12 of 16

Ref #	Part Number	Qty	S/P/F	Description
1	9711	0		SCR-HH 3/8-16X1.0 G5 ZP
2	50049-01	0	S	TINE-BOLO RIGHT
3	9802	0		NUT-HEX 3/8-16 ZP
4	9913	0		WASHER-LK .375 @ DEPL
5	9761	0		SCR-HH 3/8-16X2.00 G8
6	9807	0		NUT-H/LK 3/8-16
7	50049-02	0	S	TINE-BOLO LEFT
8	50219	0	F	HOLDER-TINE JUNIOR
8	1902155010	0	F	HOLDER-TINE JUNIOR
	1901	0	S/F	TINES-BOLO JUNIOR/TUFFY
9	50273-01	0	F	ASSM-TIRE&WHEEL LH GRAY
10	50273-02	0	F	ASSM-TIRE&WHEEL RH GRAY
	50224	0		TIRE 3.25-5 (TIRE ONLY)
	50272	0		RIM-WHEEL 5" GRAY (WHEEL RIM ONLY)
11	9380	0	S	PIN-CLEVIS
12	9338	0	S	PIN-CLIP .08

15021 JUNIOR VI OPC (4HP) (S/N M0115495 - UP)
TRANSMISSION HSG. & SEALS/GASKETS



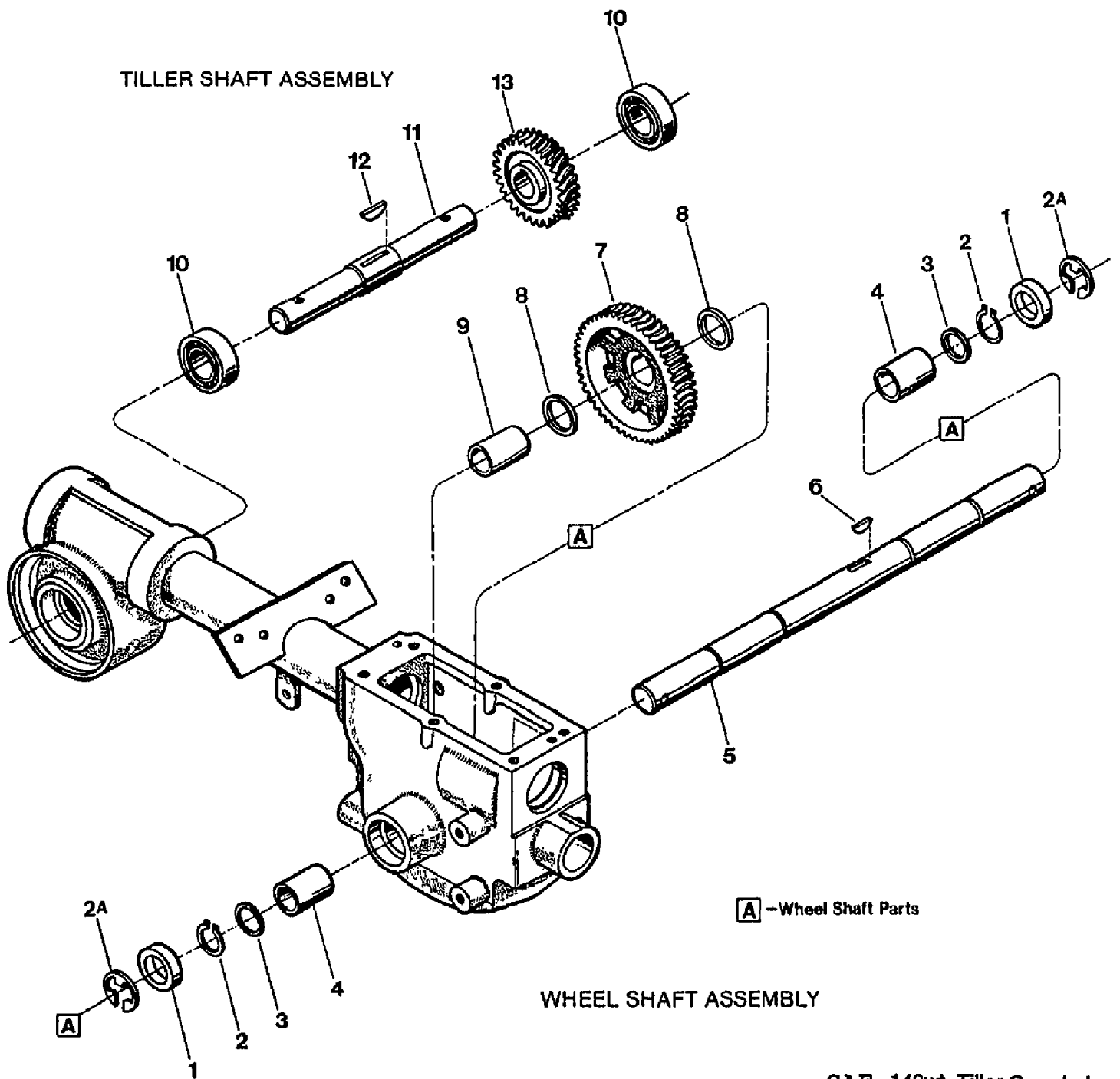
SAE 140wt. Tiller Gear Lube
#1360A = 2qt.
#1901964 = 1qt.

15021 JUNIOR VI OPC (4HP) (S/N M0115495 - UP)
TRANSMISSION HSG. & SEALS/GASKETS

Page 14 of 16

Ref #	Part Number	Qty	S/P/F	Description
1	9621	0	S	SEAL-OIL WHEELSHAFT
2	9726	0	S	PLUG-PIPE 1/4 NPT
3	97076	0	S	SEAL-BORE
4	90044	0		SCR-HFLK 5/16-18X.75 ZP
5	85030	0		SEAL-PINION SHAFT PT/85030/00
6	11513	0	F	KIT-COVER TRANS W/HDW
7	20694	0	S	GASKET-TRANS COVER
8	50262	0		ASSM-TRANS A-UNIT JR W/UP
9	9467	0	S	PLUG-OIL FILL 3/4-10
10	97073	0	S	SEAL-TILLER SHAFT
11	1908211	0	S	SCR-HXSKT 1/4-20X.625
12	20873	0	S	COVER-TILLER HSG MACH
13	1129-1	0	S	GASKET-TILLER COVER (FITS ALL COVERS)
14	1908212	0	/P	SCR-HFLK 1/4-20X.87
15	1115	0		CAP-REAR #1115
16	1124-2	0	S	GASKET-BRG COVER
17	90045	0		SCR-HFLK 5/16-18X1.00 ZP
18	9709	0		SCR-HH 3/8-16X.75 G5 ZP
19	9913	0		WASHER-LK .375 @ DEPL
	1360A	0		OIL GEAR LUBE 2 QT 140WT
	1901964	0		OIL-GEAR LUBE 1 QT 140WT

15021 JUNIOR VI OPC (4HP) (S/N M0115495 - UP)
WHEEL & TILLER SHAFT ASSEMBLIES



A - Wheel Shaft Parts

SAE 140wt. Tiller Gear Lube
#1360A = 2qt.
#1901964 = 1qt.

15021 JUNIOR VI OPC (4HP) (S/N M0115495 - UP)
WHEEL & TILLER SHAFT ASSEMBLIES

Page 16 of 16

Ref #	Part Number	Qty	S/P/F	Description
1	9621	0	S	SEAL-OIL WHEELSHAFT
2	9511	0	S	RING-HEAVY EXT .906 ID
2A	9512	0	S	RING-RETAINING 5133-989
3	1166-1	0	S	SHIM-1.375X1.015X.062
3	1166-2	0	S	SHIM-1.375X1.015X.03
3	1166-3	0	S	SHIM-1.375X1.015X.015
3	1166-4	0	S	SHIM-1.375X1.015X.01
4	1086	0	S	BUSHING-1.25X1.005X1.5
5	50230	0		ASSM-WHEELSHAFT W/KEY
6	9097	0		KEY-HI PRO .25X.938
7	50217	0	F	GEAR-WHEEL DRIVE (WORM GEAR), CAST IRON
7	50271	0	F	GEAR-WHEEL DRIVE MACH
8	1132-3	0	S	SHIM-1.234X1.015X.01
9	50216	0		SPACER-WHEEL SHAFT
10	97074	0	S	BEARING-BALL
11	20896	0	S	SHAFT-W/KEY (TILLER)
12	1104	0	S	KEY-WOODRUFF .25X1.12
13	20776	0	F	GEAR-TILLER MACH
13	20913	0	S/F	GEAR-TILLER MACH
	1360A	0		OIL GEAR LUBE 2 QT 140WT
	1901964	0		OIL GEAR LUBE 1 QT 140WT