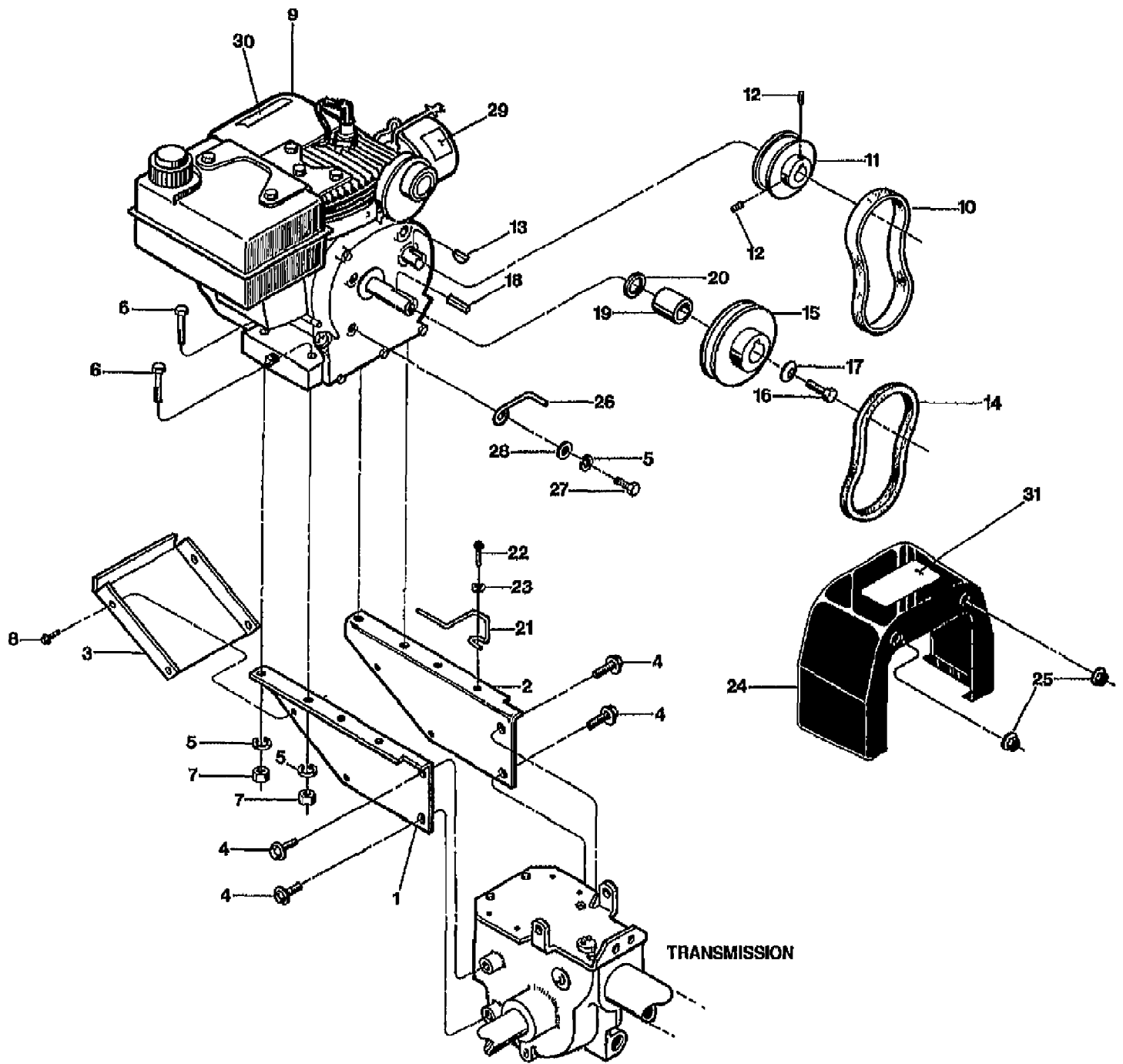


15021 JUNIOR VI OPC (4HP) (S/N M0108417-M0115494)  
ENGINE, PULLEYS & BELTS

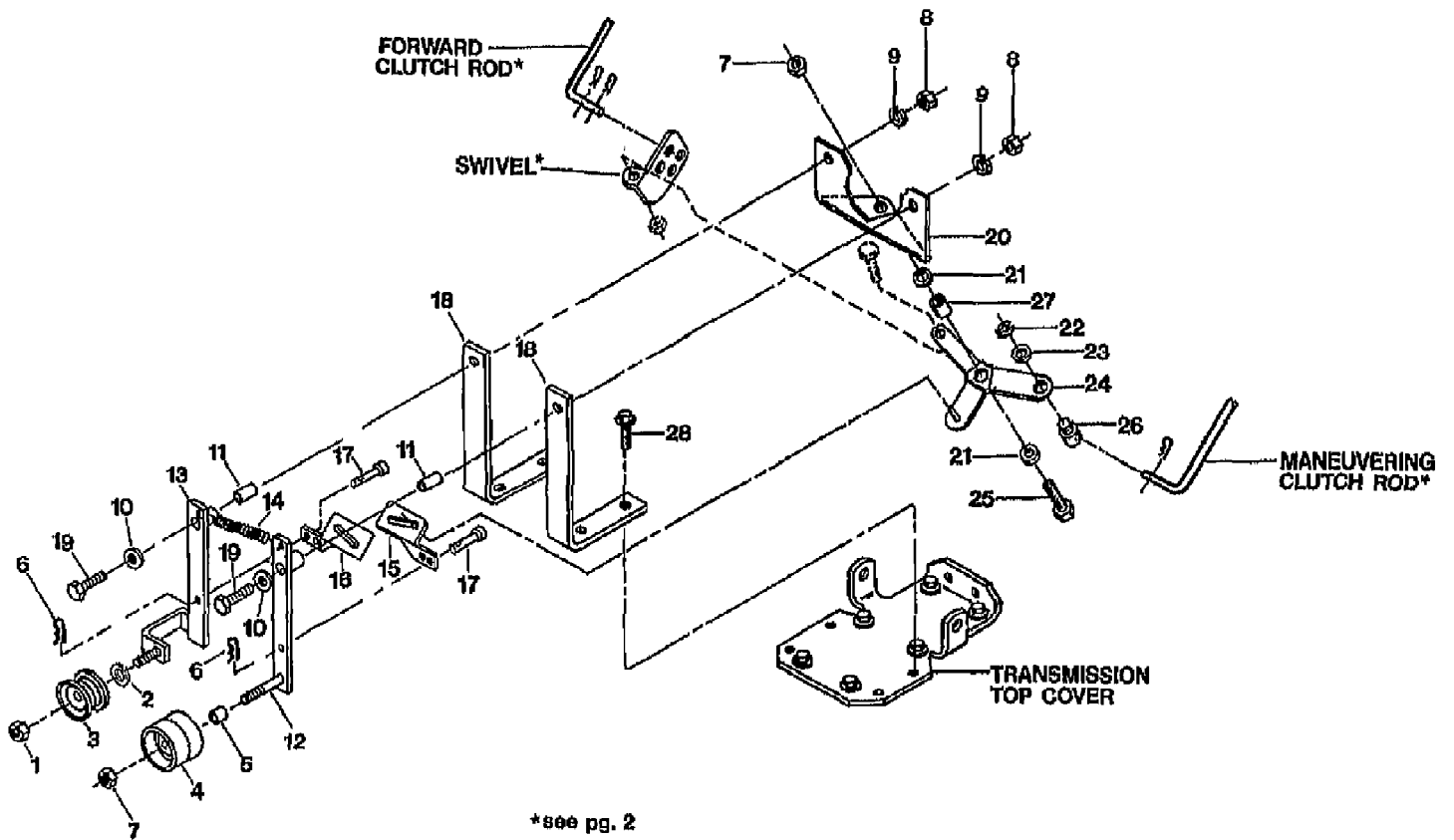


15021 JUNIOR VI OPC (4HP) (S/N M0108417-M0115494)  
ENGINE, PULLEYS & BELTS

Page 2 of 17

| Ref # | Part Number | Qty | S/P/F | Description   |
|-------|-------------|-----|-------|---|
| 1     | 20754       | 0   |       | BRKT-ENG LT P4  |
| 2     | 20755       | 0   | S     | BRKT-ENG RT PNT   |
| 3     | 20673       | 0   | S     | PAN-ENG BRKT PNT  |
| 4     | 90044       | 0   |       | SCR-HFLK 5/16-18X.75  |
| 5     | GW-9912     | 0   | S     | WASHER-LK .312  |
| 6     | 9758        | 0   |       | SCR-HH 5/16-18X1.5 G5   |
| 7     | GW-9801     | 0   | S     | NUT-HEX 5/16-18   |
| 8     | 9768        | 0   |       | SCR-HH SEMS 10-32 X .5 (W/PERMANET WASHER)  |
| 9     | 0           | 0   |       | ENGINE, TECUMSEH HP, STD. RECOIL START W/ELEC. SOLID STATE IGN. MODEL HS40,TYPE 55580 |
| 10    | 97075       | 0   | S     | BELT-FLAT (SEE BELT SET BELOW)  |
| 11    | 20882       | 0   |       | PULLEY-REV DRILL/TAP (INCL. 10)   |
| 12    | 9561        | 0   | S     | SCR-SS 1/4-20 X .25 (SECURES REVERSE ENGINE PULLEY)                                   |
| 13    | 9361        | 0   | S     | KEY-WOODRUFF #5, REVERSE PULLEY TO REVERSE PTO SHAFT                                  |
| 14    | 1909404     | 0   | /P    | BELT-V GROOVE FWD SMFRAME   |
| 15    | 20765       | 0   |       | PULLEY-ENGINE MACH  |
| 16    | GW-9549     | 0   | S     | SCR-HH 3/8-24X1.0 G5  |
| 17    | 9925        | 0   |       | WASHER-.994X.413X.145 (CONCAVE SURFACE FACES FORWARD PULLEY)                          |
| 18    | 9301        | 0   | S     | KEY-.188 SQX1.0   |
| 19    | 97078       | 0   |       | SPACER-.938X.755X1.44 (ON FORWARD PTO SHAFT BETWEEN ENGINE AND SPACER)                |
| 20    | 1138-2      | 0   | S     | SHIM-1.0X.7656X.031 (ON FORWARD PTO SHAFT BETWEEN ENGINE AND SPACER)                  |
| 21    | 20555       | 0   |       | GUIDE-BELT FWD  |
| 22    | 9573        | 0   | S     | SCR-HWH 1/4-20 X .75 STH  |
| 23    | GW-9900     | 0   | S     | WASHER-FLAT 1/4 SAE   |
| 24    | 20916       | 0   | S     | COVER-BELT W/DECAL (INCL. 31)   |
| 25    | GW-9848     | 0   | S     | NUT-HFLK 5/16-18  |
| 26    | 20890       | 0   |       | STOP-BELT   |
| 27    | 9655        | 0   | S     | SCR-HH 5/16-24X.75 G5   |
| 28    | GW-9902     | 0   | S     | WASHER-FLAT 5/16 SAE  |
| 29    | 55053       | 0   |       | DECAL-HOT SURFACE   |
|       | ~N/A        | 0   |       | BELT SET - (INCL. 10 & 14)  |
| 30    | 97125       | 0   |       | DECAL-STARTING STABIL   |
| 31    | 20818       | 0   | S     | DECAL-BELT COVER OPC  |

15021 JUNIOR VI OPC (4HP) (S/N M0108417-M0115494)  
FORWARD/REVERSE IDLER ASSEMBLY

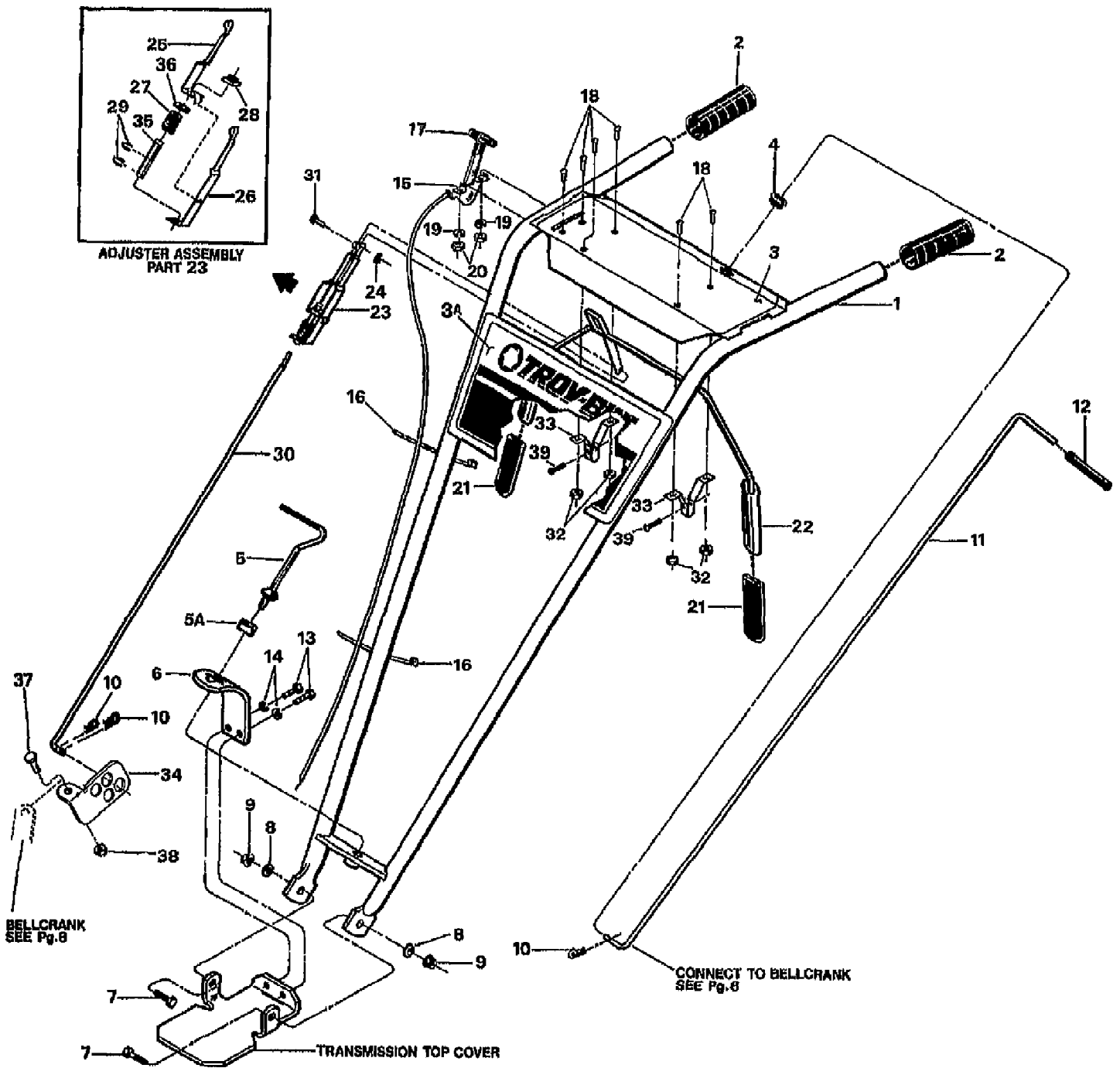


15021 JUNIOR VI OPC (4HP) (S/N M0108417-M0115494)  
FORWARD/REVERSE IDLER ASSEMBLY

Page 4 of 17

| Ref # | Part Number | Qty | S/P/F | Description               |
|-------|-------------|-----|-------|---------------------------|
| 1     | 9837        | 0   | S     | NUT-LOCK 3/8-16 NYLON ZP  |
| 2     | 20513       | 0   |       | BUSHING-.54X.38X.08       |
| 3     | 9460        | 0   |       | IDLER-REV                 |
| 4     | 9090        | 0   | S     | PULLEY-IDLER FORWARD      |
| 5     | 9091        | 0   |       | SPACER-IDLER FWD          |
| 6     | 9338        | 0   | S     | PIN-CLIP .08              |
| 7     | 9807        | 0   |       | NUT-H/LK 3/8-16           |
| 8     | 9801        | 0   |       | NUT-HEX 5/16-18 ZP        |
| 9     | 9912        | 0   |       | WASHER-LK .312 ZP         |
| 10    | 20545       | 0   | S     | WASHER-#.75X.32X.09 ZP    |
| 11    | 9479        | 0   | S     | BUSHING-.438X.323X.712    |
| 12    | 20899       | 0   | S     | ARM-IDLER FWD PNT         |
| 13    | 20760       | 0   |       | IDLER-REV                 |
| 14    | 1492        | 0   | S     | SPRING-.436 X 3.25        |
| 15    | 20517-01    | 0   |       | LINK-FWD                  |
| 16    | 20517-02    | 0   |       | LINK-REV                  |
| 17    | 9340        | 0   |       | PIN-CLEVIS .375X.719 ZP   |
| 18    | 20751       | 0   |       | MOUNT BAR-PNT (20691)     |
| 19    | 9741        | 0   | S     | BOLT-HH 5/16-18 X 2 G5 ZP |
| 20    | 20842       | 0   | S     | SHIFT BASE-OPC PNT        |
| 21    | 20553       | 0   | S     | SPACER-.88X.385X.09 ZP    |
| 22    | 9532        | 0   | S     | RING-KLIP .500 ZINC       |
| 23    | 20546       | 0   | S     | WASHER-#.88X.51X.063 ZP   |
| 24    | 20838       | 0   | S     | BELLCRANK-OPC PNT         |
| 25    | 9712        | 0   |       | SCR-HH 3/8-16X1.25        |
| 26    | 20506       | 0   |       | PIVOT-ROD                 |
| 27    | 20532       | 0   | S     | BUSHING-.5X.38X.4         |
| 28    | 90045       | 0   |       | SCR-HFLK 5/16-18X1.00 ZP  |

15021 JUNIOR VI OPC (4HP) (S/N M0108417-M0115494)  
HANDLE BARS & CONTROL LEVERS



15021 JUNIOR VI OPC (4HP) (S/N M0108417-M0115494)  
HANDLE BARS & CONTROL LEVERS

Page 6 of 17

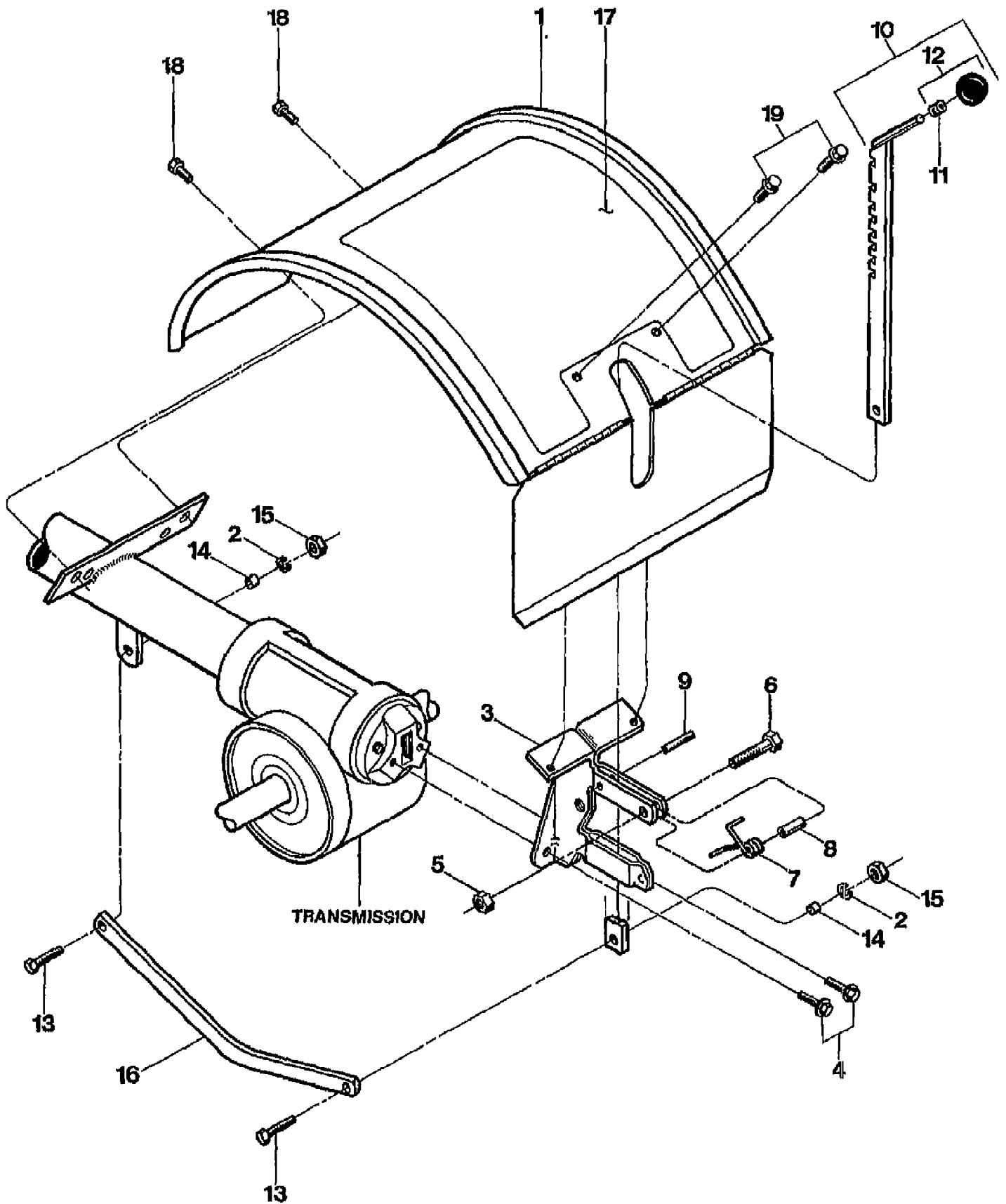
| Ref # | Part Number | Qty | S/P/F | Description  |
|-------|-------------|-----|-------|--|
| 1     | 50279       | 0   |       | ASSM-HANDLEBAR W/GRIPS (INCL. 2,3,3A,4)  |
| 2     | 9126        | 0   | S     | GRIP-H/B 1" PONY/P-J OPC   |
| 3     | 50275       | 0   |       | DECAL-CONTROL PANEL JR   |
| 3A    | 50276       | 0   |       | DECAL-Graphics PANEL JR (NAME & LOGO)  |
| 4     | 9251        | 0   |       | BUSHING-NYLON (PART OF OPERATOR CONTROL PANEL)                                       |
| 5     | 20703       | 0   |       | ASSM-STUD H/B (REGULATES HANDLEBAR HEIGHT ADJUSTMENT)                                |
| 5A    | 9955        | 0   | S     | WASHER-1.0X.38X.375 (INDEX #5)   |
| 6     | 20753       | 0   |       | PLATE-HANDLEBAR ADJUST   |
| 7     | 9711        | 0   |       | SCR-HH 3/8-16X1.0 G5 (USED TO ATTACH HANDLE- BARS TO TABS ON TRANSMISSION TOP COVER) |
| 8     | 9904        | 0   | S     | WASHER-FLAT 3/8 SAE (HANDLEBAR ATTACHMENT)   |
| 9     | 9837        | 0   | S     | NUT-LOCK 3/8-16 NYLON (HANDLEBAR ATTACHMENT)   |
| 10    | 9338        | 0   | S/F   | HAIR PIN COTTER  |
| 11    | 20830       | 0   |       | MANUVERING CLUTCH LEVER - COMPLETE (INCL. GRIP, #9198)                               |
| 12    | 9198        | 0   |       | GRIP-CONTROL ROD   |
| 13    | 9709        | 0   | F     | SCR-HH 3/8-16X.75 G5   |
| 14    | 9913        | 0   | F     | WASHER-LK .375   |
| 15    | 9441        | 0   |       | CABLE-THROTTLE JR OPC  |
| 16    | 9202        | 0   | S     | TIE-RED PLASTIC (TO SECURE THROTTLE CONTROL CABLE TO HANDLEBARS)                     |
| 17    | 9212        | 0   | S     | KNOB-THROTTLE CABLE  |
| 18    | 9722        | 0   |       | SCR-RH M10-32X.5 MACH  |
| 19    | 9909        | 0   |       | WASHER-LK N10  |
| 20    | 9809        | 0   |       | NUT-HH M10-32X.125   |
| 21    | 9390        | 0   | S     | GRIP-PADDLE SM FRAME OPC   |
| 22    | 20863       | 0   | S     | BAIL W/GRIPS OPC (INCL. TWO GRIPS, INDEX NO. 21)                                     |
| 23    | 20862       | 0   | S     | ASSM-ADJUSTMENT OPC (INCL. 25-27,29,35,36)   |
| 24    | 9386        | 0   |       | RING-KLIP .188 DIA   |
| 25    | 20808       | 0   | S     | ADJUSTER-RT SIDE OPC   |
| 26    | 20809       | 0   | S     | ADJUSTER-LT SIDE OPC   |
| 27    | 9059        | 0   | S     | SPRING-ADJUSTER OPC  |
| 28    | 9522        | 0   |       | WELDNUT 5/16-18  |
| 29    | 9532        | 0   | S     | RING-KLIP .500 ZINC  |
| 30    | 20831       | 0   | S     | ROD-CONTROL OPC - FORWARD CLUTCH   |
| 31    | 97083       | 0   |       | ASSM-PIN & CLIP (SMALL FRAME)  |
| 32    | 9853        | 0   | S     | NUT W/LKWASHER #10-32  |
| 33    | 20806       | 0   | S     | BRACKET-BAIL OPC   |

15021 JUNIOR VI OPC (4HP) (S/N M0108417-M0115494)  
HANDLE BARS & CONTROL LEVERS

Page 7 of 17

| Ref # | Part Number | Qty | S/P/F | Description             |
|-------|-------------|-----|-------|-------------------------|
| 34    | 20888       | 0   | S     | SWIVEL-SMALL FRAME      |
| 35    | 9432        | 0   |       | BUSHING-.5X.334X2.88    |
| 36    | 9973        | 0   |       | WASHER-.75X.51X.06      |
| 37    | 9701        | 0   |       | SCR-HH 1/4-20X.75 G5    |
| 38    | 9811        | 0   |       | NUT-LK 1/4-20           |
| 39    | 9552        | 0   | S     | SCR-HWH 1/4-20 X .5 STH |

15021 JUNIOR VI OPC (4HP) (S/N M0108417-M0115494)  
HOOD & DEPTH CONTROL LEVERS



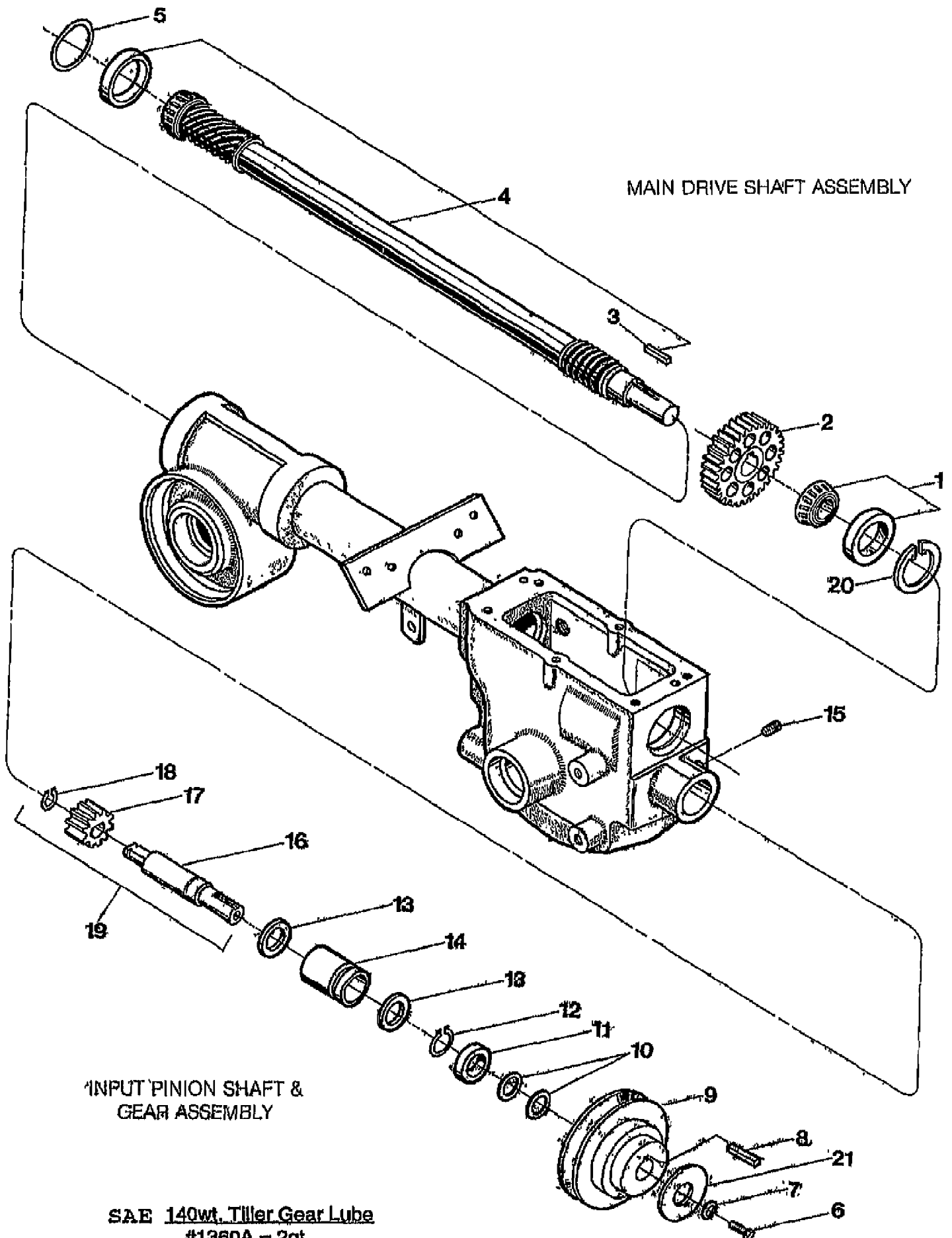


15021 JUNIOR VI OPC (4HP) (S/N M0108417-M0115494)  
HOOD & DEPTH CONTROL LEVERS

Page 9 of 17

| Ref # | Part Number | Qty | S/P/F | Description  |
|-------|-------------|-----|-------|--|
| 1     | 50254       | 0   |       | HOOD W/DECALS JR (INCL. 17)  |
| 2     | 9913        | 0   |       | WASHER-LK .375   |
| 3     | 2527        | 0   | S     | BRKT W/ROLL PIN (9308)(INCL. 9)                                    |
| 4     | 90044       | 0   |       | SCR-HFLK 5/16-18X.75   |
| 5     | 9811        | 0   |       | NUT-LK 1/4-20  |
| 6     | 9734        | 0   |       | SCR-HH 1/4-20X1.0  |
| 7     | 9384        | 0   | S     | SPRING-TORSION   |
| 8     | 9534        | 0   | S     | SPACER-.250X.343X.375  |
| 9     | 9308        | 0   | S     | PIN-ROLL .25 X 1 (SPIRAL)  |
| 10    | 1117A       | 0   | S     | DEPTH REGULATOR W/KNOB (INCL. 11 & 12)                             |
| 11    | 9120        | 0   | S     | RING-TOLERANCE .5325 ID  |
| 12    | 9119        | 0   | S     | KNOB-CONTROL (INCL. 11)  |
| 13    | 9712        | 0   |       | SCR-HH 3/8-16X1.25   |
| 14    | 1113-1      | 0   | S     | BUSHING-.5X.375X.3   |
| 15    | 9802        | 0   |       | NUT-HEX 3/8-16   |
| 16    | 20775       | 0   | S     | DRAG BAR-BENT  |
| 17    | 50277       | 0   |       | DECAL-HOOD JR  |
| 18    | 9553        | 0   | S     | SCR-HWH 5/16-18 X .5 STH   |
| 19    | 9552        | 0   | S     | SCR-HWH 1/4-20 X .5 STH (ATTACHES HOOD TO DEPTH REGULATOR BRACKET) |

15021 JUNIOR VI OPC (4HP) (S/N M0108417-M0115494)  
MAIN DRIVE SHAFT & GEAR ASSEMBLIES



INPUT PINION SHAFT &  
GEAR ASSEMBLY

MAIN DRIVE SHAFT ASSEMBLY

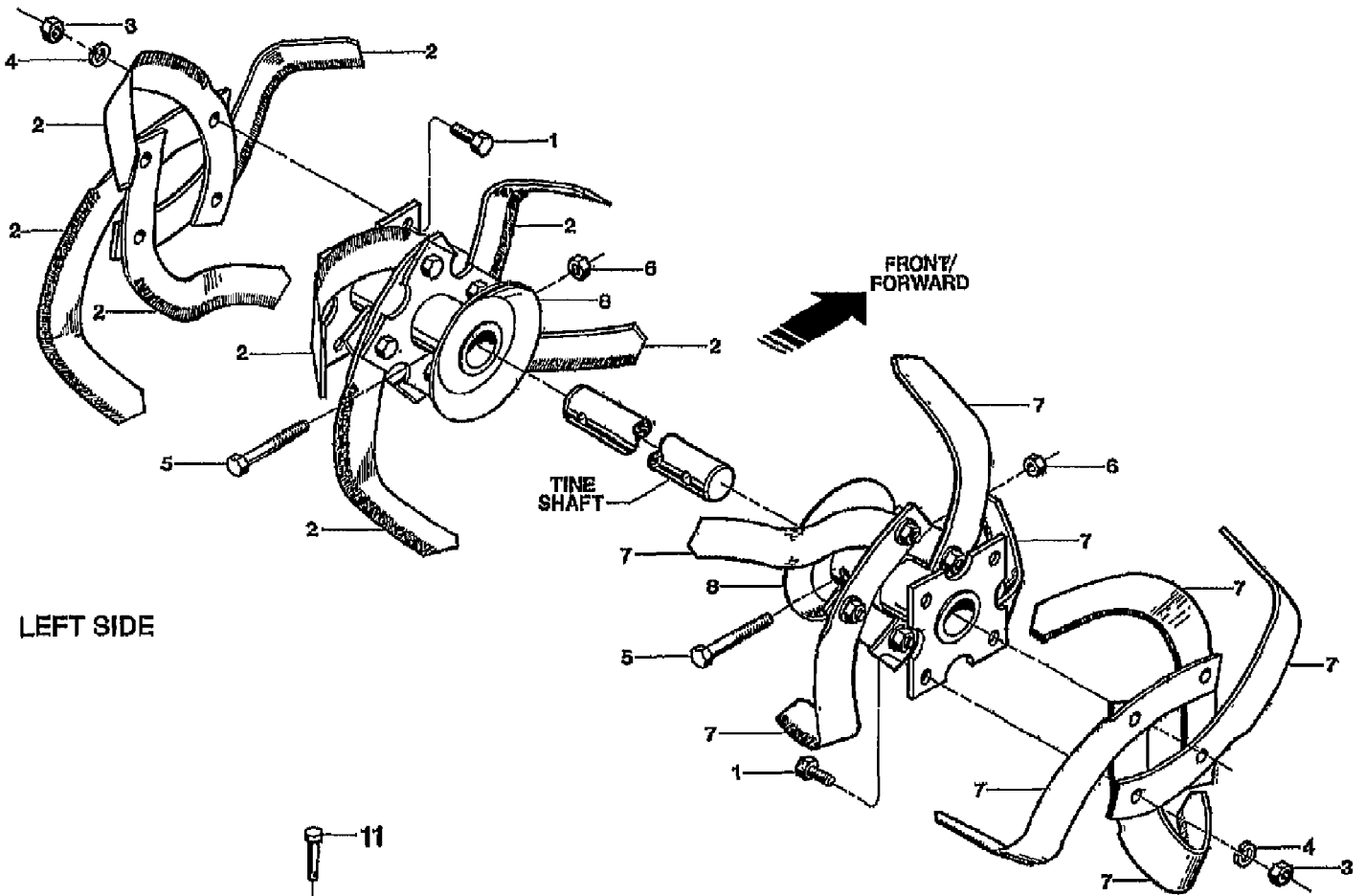
SAE 140wt. Tiller Gear Lube  
#1360A = 2qt.  
#1901964 = 1qt.

15021 JUNIOR VI OPC (4HP) (S/N M0108417-M0115494)  
MAIN DRIVE SHAFT & GEAR ASSEMBLIES

Page 11 of 17

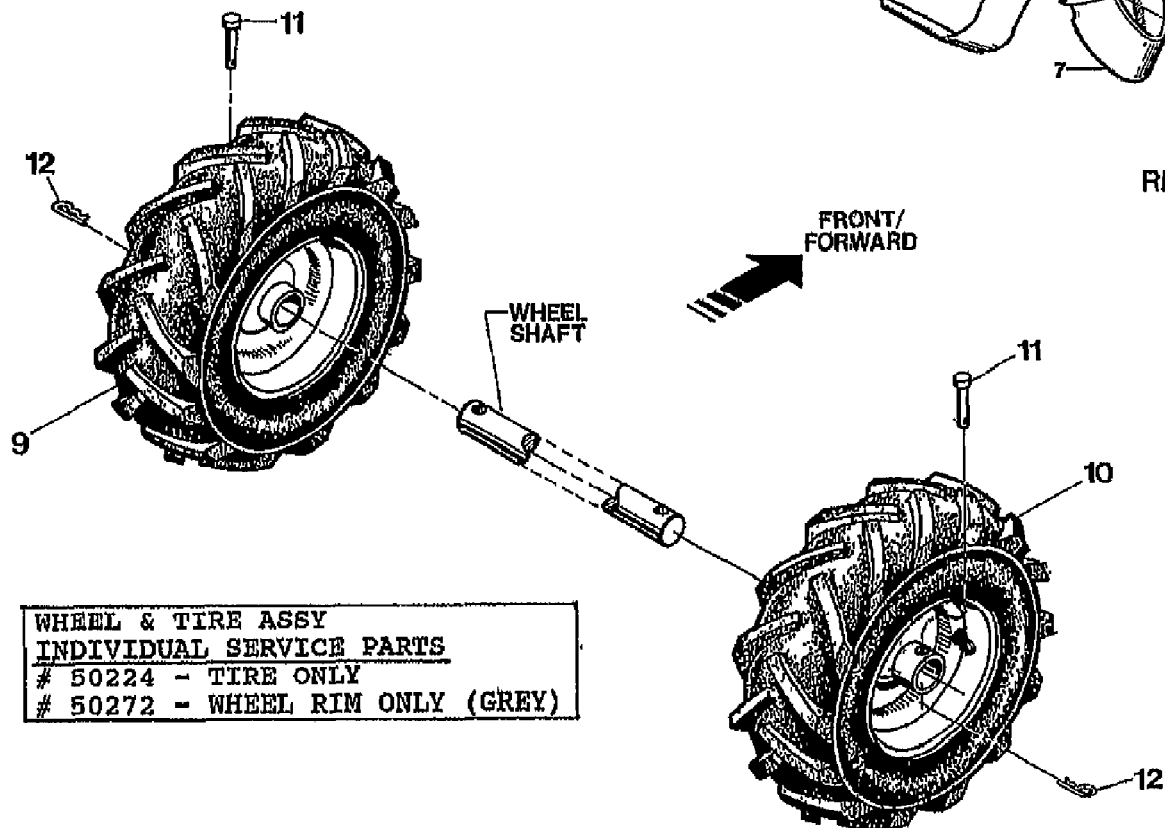
| Ref # | Part Number | Qty | S/P/F | Description   |
|-------|-------------|-----|-------|---|
| 1     | 1714        | 0   | S     | KIT-BRG CONE&RACE-DRIVESHAFT (FRT OF DRIVE SHAFT)                   |
| 2     | 20718       | 0   | S     | GEAR-SPUR 30 TEETH  |
| 3     | 9301        | 0   | S     | KEY-.188 SQX1.0   |
| 4     | 10360       | 0   | F     | KIT-DRIVESHAFT  |
| 5     | 1224-1      | 0   | S/F   | SHIM-1.75X1.5X.01   |
| 5     | 1224-2      | 0   | S/F   | SHIM-1.75X1.5X.03   |
| 5     | 1224-3      | 0   | S/F   | SHIM-1.75X1.5X.005  |
|       | 1325C       | 0   | S     | SHIM SET-DRIVESHAFT-HORSE (INCL. 2 #1224-1; 2 #1224-2; 1 #9301 KEY) |
| 6     | 9655        | 0   | S     | SCR-HH 5/16-24X.75 G5 ZP  |
| 7     | 9944        | 0   | S     | WASHER-.827X.331X.098 (CONCAVE SURFACE FACES PULLEY)                |
| 8     | 9301        | 0   | S     | KEY-.188 SQX1.0   |
| 9     | 20880       | 0   |       | PULLEY-TRANS MACH   |
| 10    | 1440        | 0   | S     | WASHER # .875 X .65 X .06   |
| 11    | 85030       | 0   |       | SEAL-PINION SHAFT PT/85030/00                                       |
| 12    | 9500        | 0   | S     | RING-RETAIN EXT .707 ID (SNAP RING)                                 |
| 13    | 9953        | 0   | S     | WASHER-1.022X.752X .059   |
| 14    | 9428        | 0   | S     | BUSHING-1.24X.75X1.8 GRVD   |
| 15    | 9677        | 0   | S     | SCR-SS 5/16-18X.375   |
| 16    | 20791       | 0   | S     | SHAFT-PINION(P-V)   |
| 17    | 20792       | 0   | S     | GEAR-PINION P/M   |
| 18    | 9093        | 0   | S     | RING-BOWED EXT .461 ID  |
| 19    | 20799       | 0   | S     | PINION W/GEAR&SNAP RING (INCL. 16-18)                               |
| 20    | 9517        | 0   | S     | RING-RETAINING 5000-181   |
| 21    | 94018       | 0   | S     | WASHER-2.5X.316X.06   |
|       | 1360A       | 0   |       | OIL (1901964)   |
|       | 1901964     | 0   |       | OIL-GEAR 1 QT 140WT   |

15021 JUNIOR VI OPC (4HP) (S/N M0108417-M0115494)  
 TINES & WHEELS



LEFT SIDE

RIGHT SIDE



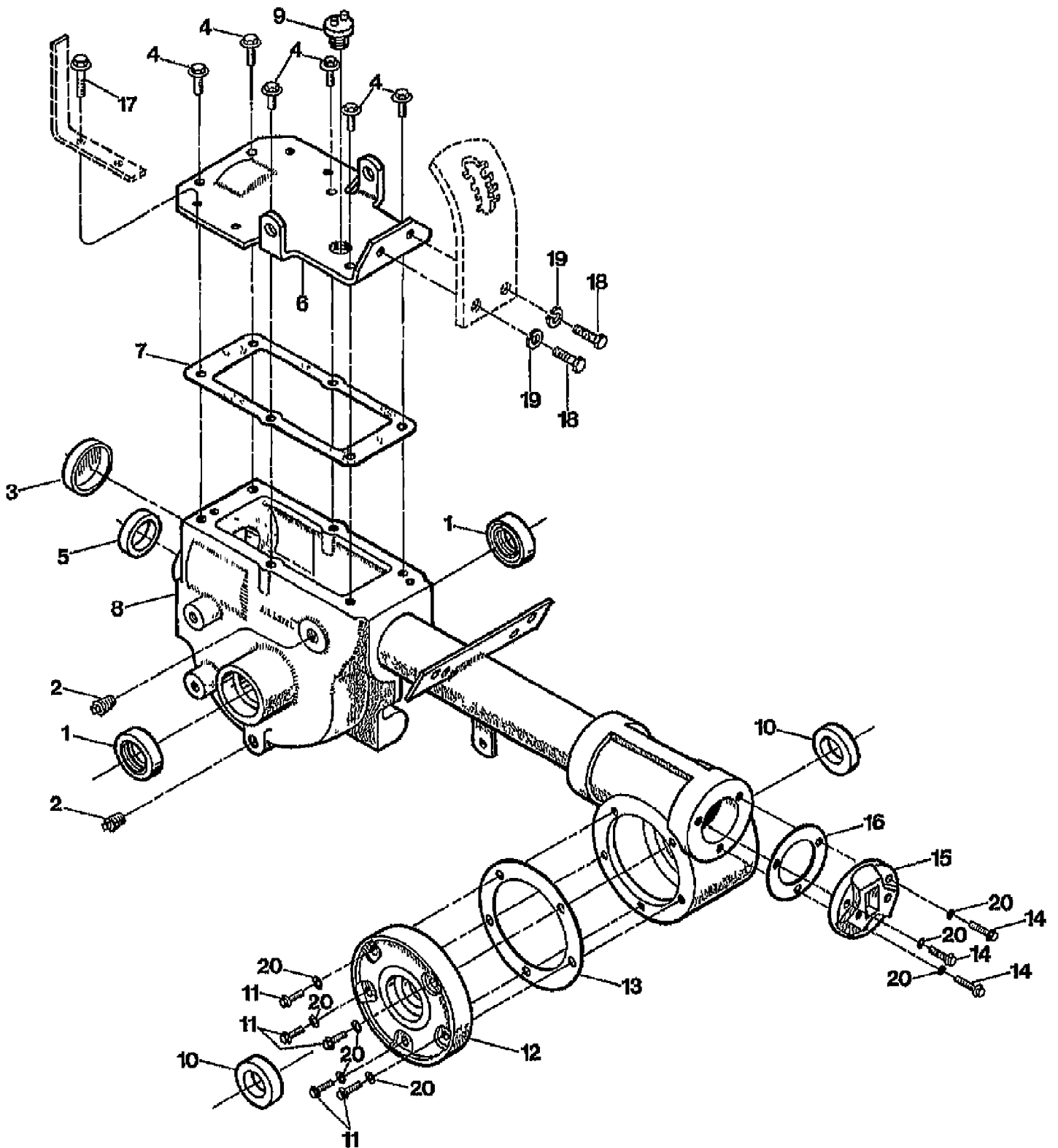
**WHEEL & TIRE ASSY**  
**INDIVIDUAL SERVICE PARTS**  
 # 50224 - TIRE ONLY  
 # 50272 - WHEEL RIM ONLY (GREY)

15021 JUNIOR VI OPC (4HP) (S/N M0108417-M0115494)  
TINES & WHEELS

Page 13 of 17

| Ref # | Part Number | Qty | S/P/F | Description  |
|-------|-------------|-----|-------|--|
| 1     | 9711        | 0   |       | SCR-HH 3/8-16X1.0 G5 ZP  |
| 2     | 50049-01    | 0   | S     | TINE-BOLO RH TINE USED ON LH SIDE OF TILLER                                    |
| 3     | 9802        | 0   |       | NUT-HEX 3/8-16 ZP  |
| 4     | 9913        | 0   |       | WASHER-LK .375 @ DEPL  |
| 5     | 9761        | 0   |       | SCR-HH 3/8-16X2.00 G8  |
| 6     | 9807        | 0   |       | NUT-H/LK 3/8-16  |
| 7     | 50049-02    | 0   | S     | TINE-BOLO LH TINE USED ON RH SIDE OF TILLER                                    |
| 8     | 50219       | 0   |       | HOLDER-TINE JUNIOR LEFT & RIGHT SIDES  |
|       | 1901        | 0   | S     | TINES-BOLO JUNIOR/TUFFY (INCL. 8 EA OF RH & LH TINES, 16 EA OF NO'S 1,3 AND 4) |
| 9     | 50223-1     | 0   | F     | ASSM-WHEEL&TIRE LT   |
| 10    | 50223-2     | 0   | F     | ASSM-WHEEL&TIRE RT   |
|       | 50224       | 0   |       | TIRE 3.25-5  |
|       | 50272       | 0   |       | RIM-WHEEL 5" GRAY  |
| 11    | 9380        | 0   | S     | PIN-CLEVIS SECURES WHEEL HUB TO WHEEL SHAFT                                    |
| 12    | 9338        | 0   | S     | PIN-CLIP .08   |

15021 JUNIOR VI OPC (4HP) (S/N M0108417-M0115494)  
TRANSMISSION HSG. & SEALS/GASKETS



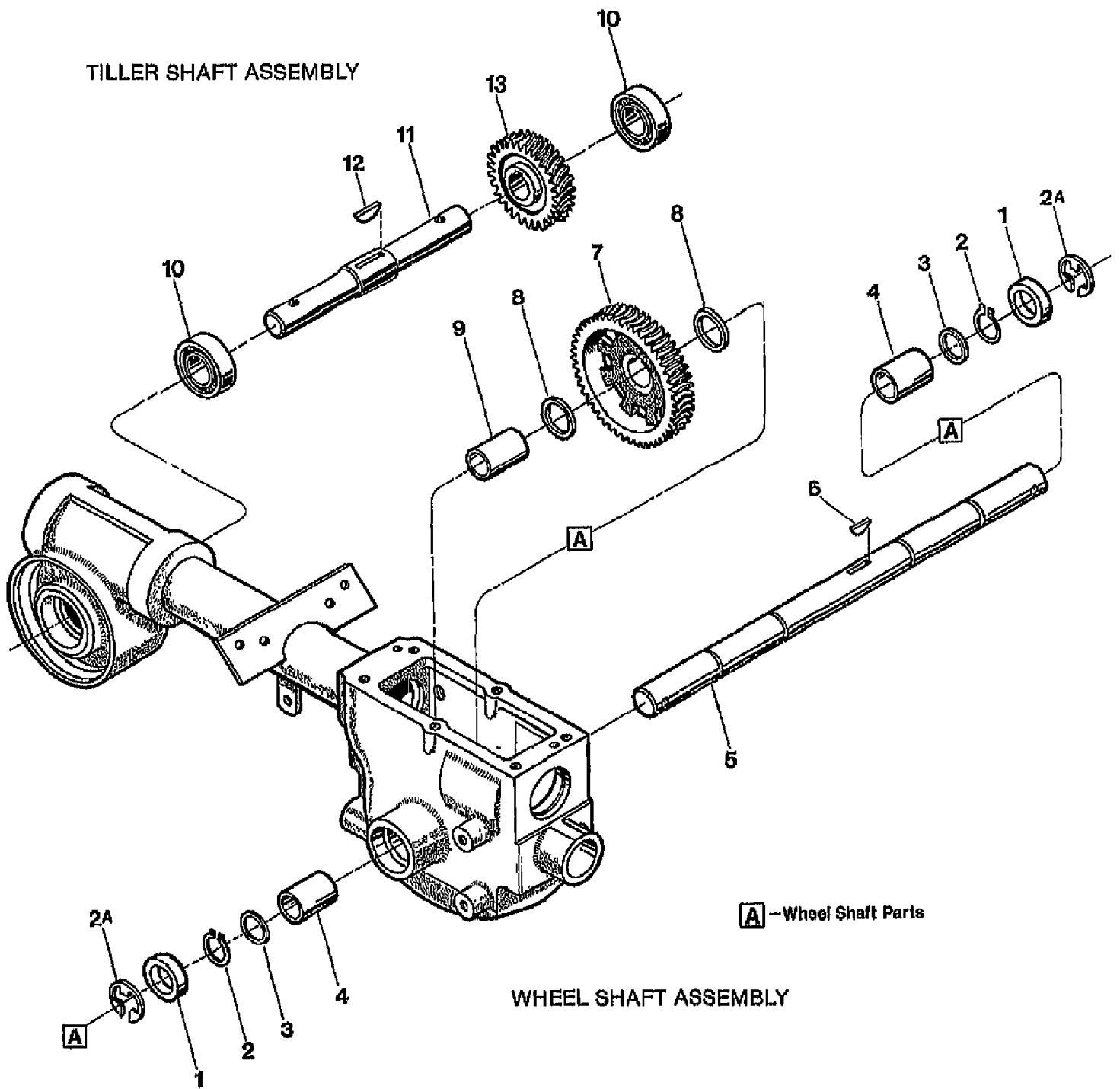
SAE 140wt. Tiller Gear Lube  
#1360A = 2qt.  
#1901964 = 1qt.

15021 JUNIOR VI OPC (4HP) (S/N M0108417-M0115494)  
TRANSMISSION HSG. & SEALS/GASKETS

Page 15 of 17

| Ref # | Part Number | Qty | S/P/F | Description   |
|-------|-------------|-----|-------|---|
| 1     | 9621        | 0   | S     | SEAL-OIL WHEELSHAFT   |
| 2     | 9726        | 0   | S     | PLUG-PIPE 1/4 NPT   |
| 3     | 97076       | 0   | S     | SEAL-BORE   |
| 4     | 90044       | 0   |       | SCR-HFLK 5/16-18X.75 ZP   |
| 5     | 85030       | 0   |       | SEAL-PINION SHAFT PT/85030/00                                       |
| 6     | 11513       | 0   |       | KIT-COVER TRANS W/HDW (INCL. FOUR OF NO. 17 & TWO EA OF NO'S 18-19) |
| 7     | 20694       | 0   | S     | GASKET-TRANS COVER  |
| 8     | 50262       | 0   |       | ASSM-TRANS A-UNIT JR W/UP   |
| 9     | 9467        | 0   | S     | PLUG-OIL FILL 3/4-10  |
| 10    | 97073       | 0   | S     | SEAL-TILLER SHAFT   |
| 11    | 9780        | 0   |       | SCR-HH 1/4-20X.625  |
| 12    | 20873       | 0   | S     | COVER-TILLER HSG MACH (INCL. 5 SCREWS NO. 11)                       |
| 13    | 1129-1      | 0   | S     | GASKET-TILLER COVER (FITS ALL COVERS)                               |
| 14    | 9773        | 0   |       | SCR-HFLK 1/4-20X.875  |
| 15    | 1115        | 0   |       | CAP-REAR #1115  |
| 16    | 1124-2      | 0   | S     | GASKET-BRG COVER  |
| 17    | 90045       | 0   |       | SCR-HFLK 5/16-18X1.00 ZP  |
| 18    | 9709        | 0   |       | SCR-HH 3/8-16X.75 G5 ZP   |
| 19    | 9913        | 0   |       | WASHER-LK .375 @ DEPL   |
| 20    | 0           | 0   | F     | WASHER, NYLON. NOT REUSABLE.  |

15021 JUNIOR VI OPC (4HP) (S/N M0108417-M0115494)  
WHEEL & TILLER SHAFT ASSEMBLIES



**A** - Wheel Shaft Parts

SAE 140wt. Tiller Gear Lube  
#1360A = 2qt.  
#1901964 = 1qt.



15021 JUNIOR VI OPC (4HP) (S/N M0108417-M0115494)  
WHEEL & TILLER SHAFT ASSEMBLIES

Page 17 of 17

| Ref # | Part Number | Qty | S/P/F | Description                     |
|-------|-------------|-----|-------|---------------------------------|
| 1     | 9621        | 0   | S     | SEAL-OIL WHEELSHAFT             |
| 2     | 9511        | 0   | S     | RING-HEAVY EXT .906 ID          |
| 2A    | 9512        | 0   | S     | RING-RETAINING 5133-989         |
| 3     | 1166-1      | 0   | S     | SHIM-1.375X1.015X.062           |
| 3     | 1166-2      | 0   | S     | SHIM-1.375X1.015X.03            |
| 3     | 1166-3      | 0   | S     | SHIM-1.375X1.015X.015           |
| 3     | 1166-4      | 0   | S     | SHIM-1.375X1.015X.01            |
| 4     | 1086        | 0   | S     | BUSHING-1.25X1.005X1.5          |
| 5     | 50230       | 0   |       | ASSM-WHEELSHAFT W/KEY (AXLE)    |
| 6     | 9097        | 0   |       | KEY-HI PRO .25X.938             |
| 7     | 50217       | 0   |       | GEAR-MACH (WORM GEAR)           |
| 8     | 1132-3      | 0   | S     | SHIM-1.234X1.015X.01            |
| 9     | 50216       | 0   |       | SPACER-WHEEL SHAFT              |
| 10    | 97074       | 0   | S     | BEARING-BALL                    |
| 11    | 20896       | 0   | S     | SHAFT-W/KEY (TILLER) (INCL. 12) |
| 12    | 1104        | 0   | S     | KEY-WOODRUFF .25X1.12           |
| 13    | 20776       | 0   |       | GEAR-TILLER MACH                |
|       | 1360A       | 0   |       | OIL (1901964)                   |
|       | 1901964     | 0   |       | OIL-GEAR 1 QT 140WT             |