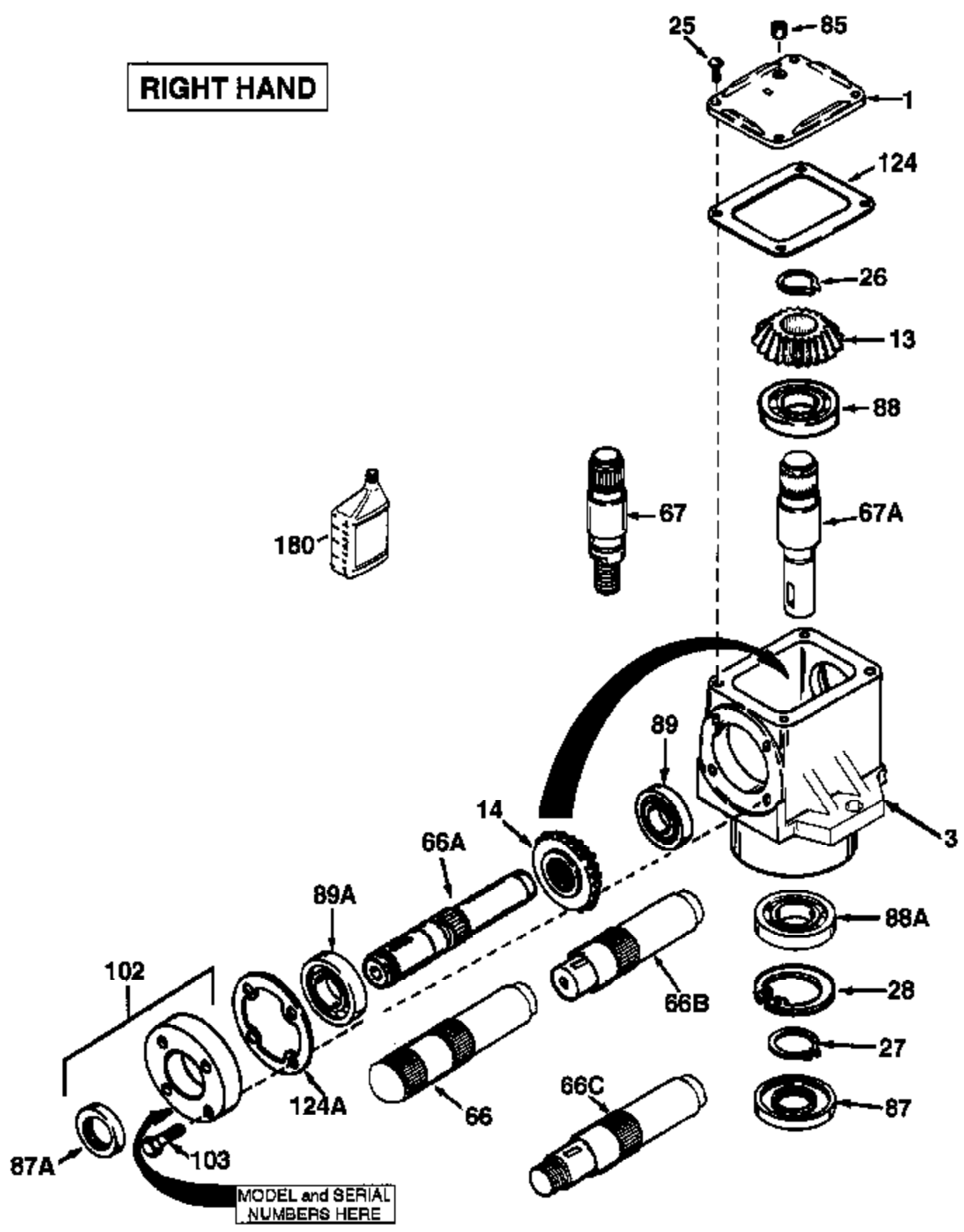


RIGHT HAND



| Ref # | Part Number | Qty | Description |
|-------|-------------|-----|---|
| 1A | 786105 | 1 | Retainer Cap |
| 1 | 786104A | 1 | Retainer Cap |
| 3 | 770076 | 1 | Right Angle Drive Housing |
| 8 | 792114 | 2 | Woodruff Key |
| 13 | 778167 | 1 | Bevel Gear (25 teeth) |
| 14 | 778171 | 1 | Bevel Gear (26 teeth) |
| 25 | 792037 | 8 | Screw, 5/16-18 x 1" |
| 26 | 780137 | 1 | Load Ring |
| 28 | 792113 | 3 | Retaining Ring |
| 29 | 792115 | 1 | Washer |
| 30 | 780131 | 1 | Shim (1-1/2" OD x 1-1/64" ID x .002 t hick) |
| 31 | 780138 | 1 | Shim (2" OD x 1.531" ID x .002 thick) |
| 32 | 788063 | 1 | Oil Ring |
| 43 | 792110A | 1 | Hex Jam Nut |
| 66 | 776381 | 1 | Input Shaft |
| 67 | 776382 | 1 | Output Shaft |
| 72 | 792111 | 1 | Plug |
| 85A | 792039 | 1 | Plug, 1/8-27 |
| 85B | 792118 | 1 | Relief Valve |
| 85 | 792116 | 2 | Pipe Plug, 1/4-18 |
| 87A | 788065 | 1 | Oil Seal 1" |
| 87 | 788064 | 1 | Oil Seal 1" |
| 88 | 780132 | 3 | Bearing & Cup Assembly (SEE REPAIR MA NUAL) |
| 91 | 780134 | 1 | Bearing & Cup Assembly (SEE REPAIR MA NUAL) |
| 124 | 780136 | 1 | Shim |
| 180 | 730229A | 1 | Gear Oil 80W90 |

1100-1100-042 Page 2 of 2
Peerless