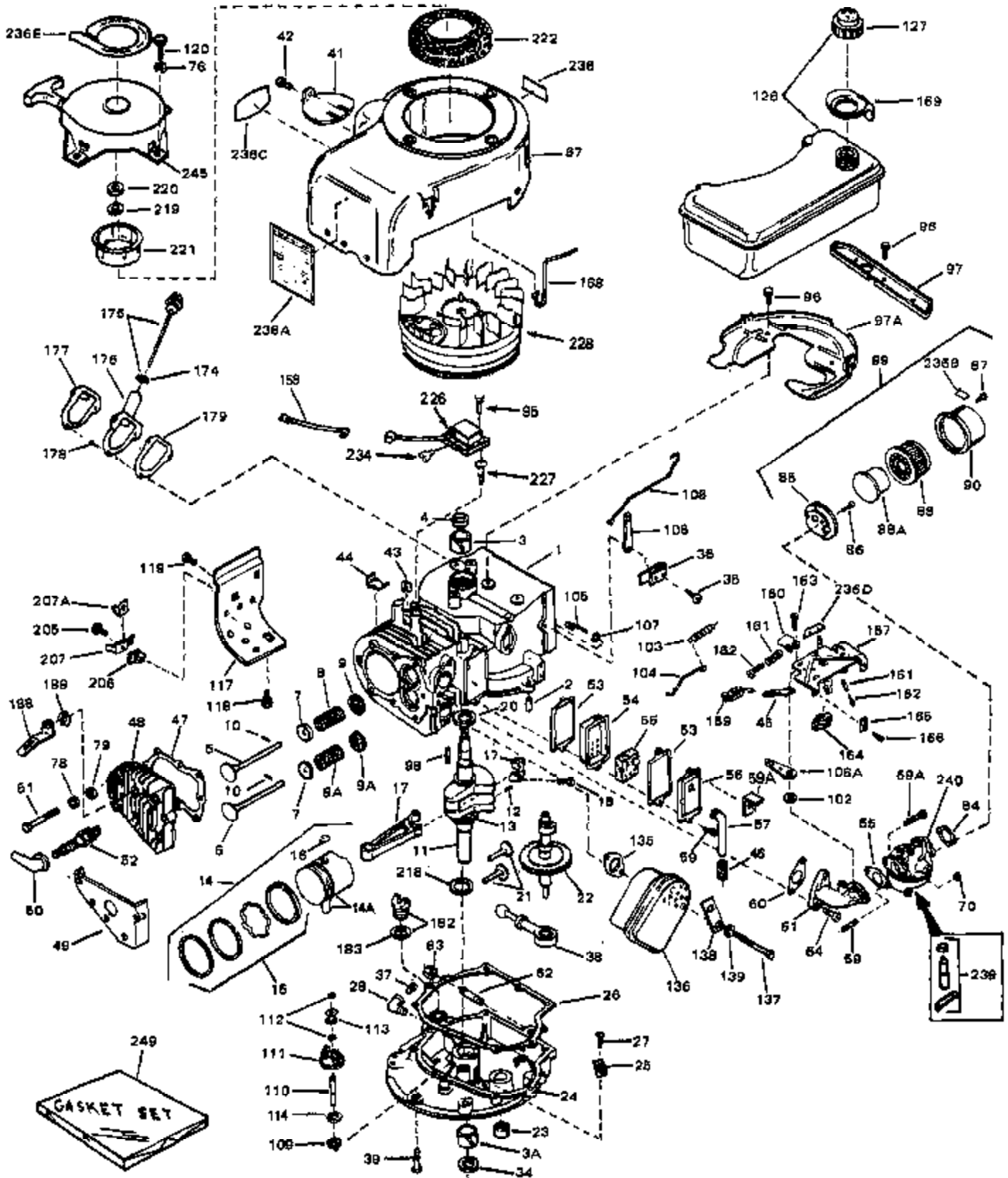


Engine Parts List #1



## Engine Parts List #1

| Ref # | Part Number | Qty | Description                              |
|-------|-------------|-----|--|
| 1     | 34172A      | 0   | Cylinder Assy. (2-3/4" Bore)             |
| 2     | 27652       | 0   | Pin, Dowel                               |
| 3A    | 31462       | 0   | Bushing, Crankshaft                      |
| 3     | 31461       | 0   | Bushing, Crankshaft                      |
| 4     | 32630       | 0   | Seal, Oil                                |
| 5     | 32783       | 0   | Valve, Intake (Standard)                 |
| 5     | 32784       | 0   | Valve, Intake (1/32" oversize)           |
| 6     | 27878A      | 0   | Valve, Intake (Standard)                 |
| 6     | 27880A      | 0   | Valve, Intake (1/32" oversize)           |
| 7     | 27882       | 0   | Cap, Upper valve spring                  |
| 8     | 27881       | 0   | Spring, Valve                            |
| 8A    | 27881       | 0   | Spring, Valve                            |
| 9     | 32581       | 0   | Cap, Lower valve spring                  |
| 9A    | 32581       | 0   | Cap, Lower valve spring                  |
| 10    | 20810       | 0   | Pin, Valve spring retaining              |
| 11    | 34891       | 0   | Crankshaft Assy.                         |
| 12    | 29783       | 0   | Pin, Crankshaft gear                     |
| 13    | 27884       | 0   | Gear, Crankshaft                         |
| 14A   | 32592B      | 0   | Piston & Pin Assy. (Std.) (2-3/4")       |
| 14A   | 32593B      | 0   | Piston & Pin Assy. (.010 oversize)       |
| 14A   | 32594B      | 0   | Piston & Pin Assy. (.020 oversize)       |
| 14    | 34517       | 0   | Piston, Pin & Ring Assy. (Std.)          |
| 14    | 34518       | 0   | Piston, Pin & Ring Assy. (.010 oversize) |
| 14    | 34519       | 0   | Piston, Pin & Ring Assy. (.020 oversize) |
| 15    | 32595       | 0   | Ring Set, Piston (Std.) (2-3/4")         |
| 15    | 32596       | 0   | Ring Set, Piston (.010 oversize)         |
| 15    | 32597       | 0   | Ring Set, Piston (.020 oversize)         |
| 16    | 27888       | 0   | Ring, Piston pin retaining               |
| 17    | 32591C      | 0   | Rod Assy., Connecting                    |
| 18    | 650662C     | 0   | Screw, Connecting rod (Two pieces)       |
| 20    | 650625      | 0   | Washer, Thrust                           |
| 21    | 34034       | 0   | Lifter, Valve                            |
| 22    | 32114       | 0   | Camshaft (Mech. Compression Release)     |
| 24    | 31471C      | 0   | Flange, Mounting                         |
| 25    | 31355       | 0   | Screen, Oil filter                       |
| 26    | 30684       | 0   | Gasket, Mounting flange                  |
| 27    | 29117       | 0   | Screw                                    |
| 34    | 27897       | 0   | Seal, Oil                                |
| 35    | 650548      | 0   | Screw, Hex washer hd., 8-32 x 5/16       |
| 36    | 31335       | 0   | Clamp, Governor lever                    |
| 37    | 27642       | 0   | Plug, Drain                              |
| 37    | 28582       | 0   | Plug, Drain                              |
| 38    | 31356       | 0   | Pump Assy., Oil                          |
| 39    | 650488      | 0   | Screw                                    |
| 43    | 27275       | 0   | Clip, Hi-tension wire                    |
| 44    | 29443       | 0   | Clip, Fuel line                          |
| 47    | 32631       | 0   | Gasket, Cylinder head                    |
| 48    | 30938A      | 0   | Head, Cylinder                           |
| 49    | 30939A      | 0   | Cover, Cylinder head                     |
| 50    | 610118      | 0   | Cover, Spark plug                        |
| 51    | 650697A     | 0   | Screw, Hex flange hd., 5/16-18 x 2-1/2   |
| 52    | 33636       | 0   | Plug, Spark (Champion J-8 or equivalent) |
| 52    | 34251       | 0   | Resistor Spark Plug                      |
| 53    | 27896       | 0   | Gasket, Breather cover                   |
| 54    | 28423       | 0   | Body, Breather                           |
| 55    | 28424       | 0   | Element, Breather                        |
| 56    | 28425       | 0   | Cover, Valve chamber                     |
| 57    | 27627       | 0   | Tube, Breather                           |

## Engine Parts List #1

| Ref # | Part Number | Qty | Description                              |
|-------|-------------|-----|--|
| 59    | 650128      | 0   | Screw                                    |
| 60    | 27915       | 0   | Gasket, Intake pipe                      |
| 61    | 32632       | 0   | Pipe, Intake                             |
| 64    | 650378      | 0   | Screw                                    |
| 65    | 26756       | 0   | Gasket, Carburetor                       |
| 67    | 32629B      | 0   | Housing Assy., Blower (5.56 dia. starter |
| 69A   | 650372      | 0   | Screw, Hex hd. Sems, 1/4-20 x 13/16      |
| 69    | 32633       | 0   | Stud, Intake pipe                        |
| 70    | 29752       | 0   | Nut                                      |
| 76    | 27261       | 0   | Washer, Flat                             |
| 76    | 650168      | 0   | Washer, Flat                             |
| 78    | 650690      | 0   | Washer, Belleville                       |
| 79    | 650691      | 0   | Washer, Flat                             |
| 84    | 27272       | 0   | Gasket, Air cleaner                      |
| 85    | 31691       | 0   | Bracket, Air cleaner                     |
| 86    | 28820       | 0   | Screw                                    |
| 87    | 650152      | 0   | Screw                                    |
| 88    | 30727       | 0   | Element, Air cleaner                     |
| 89    | 730127      | 0   | Cleaner Assy., Air (Poly)                |
| 89    | 730164      | 0   | Cleaner Assy., Air (Paper)               |
| 90    | 31715       | 0   | Body, Air cleaner                        |
| 95    | 650489      | 0   | Screw                                    |
| 95    | 650516      | 0   | Screw                                    |
| 96    | 650561      | 0   | Screw                                    |
| 97A   | 29536       | 0   | Baffle, Blower housing                   |
| 97A   | 35256A      | 0   | Baffle, Blower housing (With electric    |
| 98    | 32589       | 0   | Key, Flywheel                            |
| 103   | 31361       | 0   | Spring, Governor                         |
| 104   | 32582       | 0   | Link, Governor spring                    |
| 105   | 30669       | 0   | Rod, Governor                            |
| 106   | 31357       | 0   | Lever, Governor                          |
| 107   | 28277       | 0   | Washer, Flat                             |
| 108   | 31823       | 0   | Link, Throttle                           |
| 109   | 31707A      | 0   | Spacer Assy., Governor                   |
| 110   | 30668       | 0   | Shaft, Mechanical governor               |
| 111   | 30591       | 0   | Gear Assy., Governor                     |
| 112   | 29193       | 0   | Ring, Retaining                          |
| 113   | 30588A      | 0   | Spool, Governor                          |
| 114   | 30590A      | 0   | Washer, Flat                             |
| 117   | 30622A      | 0   | Extension, Blower housing                |
| 118   | 650128      | 0   | Screw                                    |
| 119   | 30063       | 0   | Screw                                    |
| 119   | 30688       | 0   | Screw, Hex hd. Sems, 1/4-20 x 1/2        |
| 120   | 29716       | 0   | Screw                                    |
| 126   | 32584       | 0   | Tank Assy., Fuel (White Poly) (2 qt.)    |
| 127   | 33032       | 0   | Cap, Fuel filler (Red Plastic) (Spurt    |
| 127   | 34118       | 0   | Cap, Fuel filler (Red Plastic) (Spurt    |
| 127   | 34210       | 0   | Cap, Fuel filler (Red Plastic) (Spurt    |
| 127   | 410144B     | 0   | Cap, Fuel filler (White Plastic) (Std.)  |
| 135   | 27930       | 0   | Gasket, Exhaust                          |
| 136   | 28269       | 0   | Muffler                                  |
| 137   | 650696      | 0   | Screw, Hex hd., 5/16-18 x 2-3/4          |
| 138   | 31588       | 0   | Plate, Muffler locking                   |
| 139   | 8274        | 0   | Lockwasher                               |
| 159   | 610973      | 0   | Terminal Assy.                           |
| 161   | 31342       | 0   | Spring, Compression                      |
| 162   | 650549      | 0   | Screw                                    |
| 163   | 30200       | 0   | Screw                                    |

## Engine Parts List #1

| Ref # | Part Number | Qty | Description                      |
|-------|-------------|-----|----------------------------------|
| 164   | 32410       | 0   | Knob, Speed control              |
| 165   | 27793       | 0   | Clip, Conduit                    |
| 166   | 28942       | 0   | Screw                            |
| 167   | 32181A      | 0   | Control Assy., Speed             |
| 168   | 33549       | 0   | Clamp, Tank holddown             |
| 174   | 29673       | 0   | Gasket, Filler plug              |
| 175   | 34165       | 0   | Dipstick, Oil (Screw In) (2.34") |
| 182   | 27625       | 0   | Plug, Oil filler                 |
| 183   | 29673       | 0   | Gasket, Filler plug              |
| 219   | 650815      | 0   | Washer, Belleville               |
| 220   | 8116        | 0   | Nut                              |
| 221   | 32125       | 0   | Cup, Starter                     |
| 222   | 35009       | 0   | Screen, Starter cup              |
| 236   | 34346       | 0   | Decal, Instruction               |
| 236A  | 550223      | 0   | Decal, Name                      |
| 239   | 631021      | 0   | Inlet Needle, Seat & Clip Assy.  |
| 240   | 631449      | 0   | Carburetor                       |
| 245   | 590420      | 0   | Starter, Rewind                  |
| 249   | 33239       | 0   | Gasket Set                       |



## Engine Parts List #2

| Ref # | Part Number | Qty | Description                                |
|-------|-------------|-----|--|
| 71    | 33876       | 0   | Gasket, Stator                             |
| 77    | 27656       | 0   | Washer, Flat                               |
| 95    | 650489      | 0   | Screw                                      |
| 95    | 650516      | 0   | Screw                                      |
| 107   | 28277       | 0   | Washer, Flat                               |
| 121   | 30063       | 0   | Screw                                      |
| 121   | 30688       | 0   | Screw, Hex hd. Sems, 1/4-20 x 1/2          |
| 184A  | 610938      | 0   | Regulator, Rectifier (7 Amp)               |
| 185   | 650874      | 0   | Screw, Hex washer hd. Sems, 10-32 x 15/32  |
| 208   | 34069       | 0   | Wire Assy., Alternator adapter (One male & |
| 208   | 34070       | 0   | Wire Assy., Alternator adapter (Two male   |
| 209   | 33018       | 0   | Harness, Adapter                           |
| 237   | 30547A      | 0   | Contact Assy., Breaker                     |
| 238   | 30548B      | 0   | Condenser                                  |
| 244   | 611041      | 0   | Magneto, Tecumseh                          |
| 246   | 29965       | 0   | Motor, Starter (12 Volt)                   |
| 246   | 32468A      | 0   | Motor, Starter (12 Volt)                   |
| 246   | 32468B      | 0   | Motor, Starter (12 Volt)                   |
| 246   | 33606       | 0   | Motor, Starter (12 Volt)                   |
| 247   | 32386       | 0   | Starter Motor Kit (110-120 Volt)           |
| 247   | 32901       | 0   | Starter Motor Kit (110-120 Volt)           |
| 247   | 33328       | 0   | Starter Motor Kit (110-120 Volt)           |
| 247   | 33328A      | 0   | Starter Motor Kit (110-120 Volt)           |
| 247   | 33328B      | 0   | Starter Motor Kit (110-120 Volt)           |
| 247   | 33328C      | 0   | Starter Motor Kit (110-120 Volt)           |
| 247   | 33518       | 0   | Starter Motor Kit (110-120 Volt)           |
| 247   | 33518A      | 0   | Starter Motor Kit (110-120 Volt)           |
| 247   | 33518B      | 0   | Starter Motor Kit (110-120 Volt)           |
| 247   | 33518B      | 0   | Starter Motor Kit (110-120 Volt)           |
| 248   | 30811A      | 0   | Flywheel                                   |
| 248   | 611042      | 0   | Flywheel (Std. Point) (V70 type letter D)  |
| 248   | 611085      | 0   | Flywheel (Solid state ignition)            |



| Ref # | Part Number | Qty | Description                                |
|-------|-------------|-----|--|
| 66    | 29747B      | 0   | Screw, Phil. Hex hd. Sems, 5/16-24 x 21/32 |
| 124   | 26460       | 0   | Clamp, Fuel line                           |
| 125   | 29774       | 0   | Line, Fuel (Braided 8.25")                 |
| 125   | 30705       | 0   | Line, Fuel (Braided 16")                   |
| 125   | 30962       | 0   | Line, Fuel (Braided 32")                   |
| 135   | 27930       | 0   | Gasket, Exhaust                            |
| 136F  | 391026      | 0   | Muffler                                    |
| 153   | 31288       | 0   | Muffler Adapter Kit                        |
| 153A  | 730130      | 0   | Muffler Adapter Kit                        |
| 154   | 6021A       | 0   | Screw, Hex flange hd., 5/16-18 x 1-1/2     |
| 155   | 650697A     | 0   | Screw, Hex flange hd., 5/16-18 x 2-1/2     |
| 156   | 30196       | 0   | Screw                                      |
| 165   | 27793       | 0   | Clip, Conduit                              |
| 166   | 28942       | 0   | Screw                                      |