



Engine Parts List #1

Ref #	Part Number	Qty	Description
1	34172A	0	Cylinder Assy. (2-3/4" Bore)
2	27652	0	Pin, Dowel
3	31461	0	Bushing, Crankshaft
3A	31462	0	Bushing, Crankshaft
4	32630	0	Seal, Oil
5	32783	0	Valve, Intake (Standard)
5	32784	0	Valve, Intake (1/32" oversize)
6	27878A	0	Valve, Intake (Standard)
6	27880A	0	Valve, Intake (1/32" oversize)
7	27882	0	Cap, Upper valve spring
8	27881	0	Spring, Valve
8A	27881	0	Spring, Valve
9A	32581	0	Cap, Lower valve spring
9	32581	0	Cap, Lower valve spring
10	20810	0	Pin, Valve spring retaining
11	32688	0	Crankshaft Assy.
12	29783	0	Pin, Crankshaft gear
13	27884	0	Gear, Crankshaft
14A	32592B	0	Piston & Pin Assy. (Std.) (2-3/4")
14A	32593B	0	Piston & Pin Assy. (.010 oversize)
14A	32594B	0	Piston & Pin Assy. (.020 oversize)
14	34517	0	Piston, Pin & Ring Assy. (Std.)
14	34518	0	Piston, Pin & Ring Assy. (.010 oversize)
14	34519	0	Piston, Pin & Ring Assy. (.020 oversize)
15	32595	0	Ring Set, Piston (Std.) (2-3/4")
15	32596	0	Ring Set, Piston (.010 oversize)
15	32597	0	Ring Set, Piston (.020 oversize)
16	27888	0	Ring, Piston pin retaining
17	32591C	0	Rod Assy., Connecting
18	650662C	0	Screw, Connecting rod (Two pieces)
20	650625	0	Washer, Thrust
21	34034	0	Lifter, Valve
22	32114	0	Camshaft (Mech. Compression Release)
24	31471C	0	Flange, Mounting
25	31355	0	Screen, Oil filter
26	30684	0	Gasket, Mounting flange
27	29117	0	Screw
34	27897	0	Seal, Oil
35	650548	0	Screw, Hex washer hd., 8-32 x 5/16
36	31335	0	Clamp, Governor lever
37	27642	0	Plug, Drain
38	31356	0	Pump Assy., Oil
39	650488	0	Screw
43	27275	0	Clip, Hi-tension wire
44	29443	0	Clip, Fuel line
47	32631	0	Gasket, Cylinder head
48	30938A	0	Head, Cylinder
49	30939A	0	Cover, Cylinder head
50	610118	0	Cover, Spark plug
51	650697A	0	Screw, Hex flange hd., 5/16-18 x 2-1/2
52	33636	0	Plug, Spark (Champion J-8 or equivalent)
52	34251	0	Resistor Spark Plug
53	27896	0	Gasket, Breather cover
54	28423	0	Body, Breather
55	28424	0	Element, Breather
56	28425	0	Cover, Valve chamber
57	27627	0	Tube, Breather
59	650128	0	Screw

Engine Parts List #1

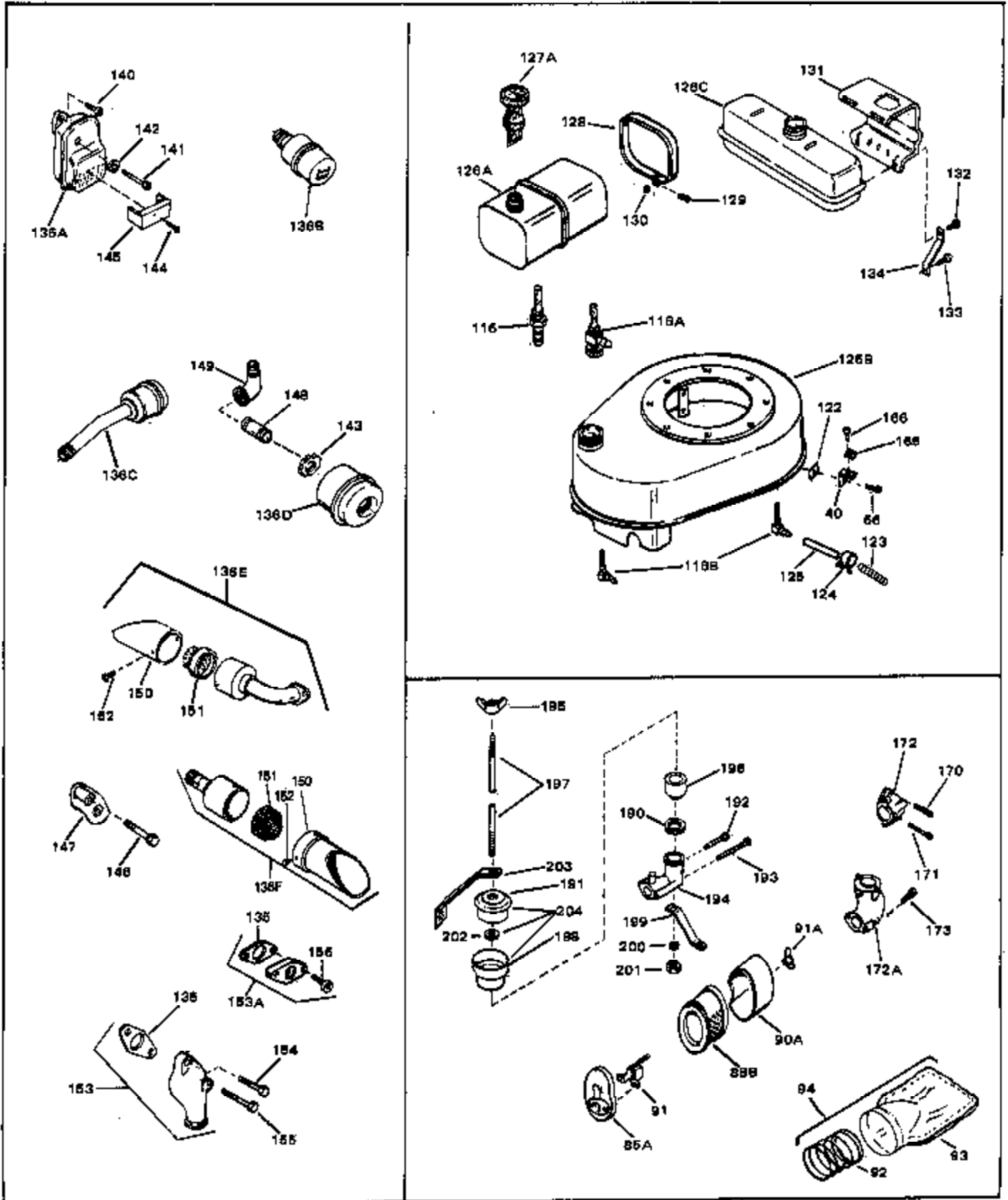
Ref #	Part Number	Qty	Description
60	27915	0	Gasket, Intake pipe
61	32632	0	Pipe, Intake
64	650378	0	Screw
65	26756	0	Gasket, Carburetor
67	32223A	0	Housing, Blower (5.56 Dia. starter mtg. bolt
69	32633	0	Stud, Intake pipe
69A	650372	0	Screw, Hex hd. Sems, 1/4-20 x 13/16
70	29752	0	Nut
76	27261	0	Washer, Flat
76	650168	0	Washer, Flat
78	650690	0	Washer, Belleville
79	650691	0	Washer, Flat
84	27272	0	Gasket, Air cleaner
85	31691	0	Bracket, Air cleaner
86	28820	0	Screw
87	650152	0	Screw
88	30727	0	Element, Air cleaner
89	730127	0	Cleaner Assy., Air (Poly)
89	730164	0	Cleaner Assy., Air (Paper)
90	31715	0	Body, Air cleaner
95	650489	0	Screw
95	650516	0	Screw
96	650561	0	Screw
97A	29536	0	Baffle, Blower housing
97A	35256A	0	Baffle, Blower housing (With electric
98	32589	0	Key, Flywheel
103	31361	0	Spring, Governor
104	32582	0	Link, Governor spring
105	30669	0	Rod, Governor
106	31357	0	Lever, Governor
107	28277	0	Washer, Flat
108	31823	0	Link, Throttle
109	31707A	0	Spacer Assy., Governor
110	30668	0	Shaft, Mechanical governor
111	30591	0	Gear Assy., Governor
112	29193	0	Ring, Retaining
113	30588A	0	Spool, Governor
117	30622A	0	Extension, Blower housing
118	650128	0	Screw
119	30063	0	Screw
119	30688	0	Screw, Hex hd. Sems, 1/4-20 x 1/2
127	33032	0	Cap, Fuel filler (Red Plastic) (Spurt
127	34118	0	Cap, Fuel filler (Red Plastic) (Spurt
127	34210	0	Cap, Fuel filler (Red Plastic) (Spurt
127	410144B	0	Cap, Fuel filler (White Plastic) (Std.)
135	27930	0	Gasket, Exhaust
139	8274	0	Lockwasher
158	35182	0	Wire, Ground (Male & Female fittings)
159	610973	0	Terminal Assy.
161	31342	0	Spring, Compression
162	650549	0	Screw
163	30200	0	Screw
164	32410	0	Knob, Speed control
165	27793	0	Clip, Conduit
166	28942	0	Screw
167	32181A	0	Control Assy., Speed
182	27625	0	Plug, Oil filler
183	29673	0	Gasket, Filler plug

Ref #	Part Number	Qty	Description
205	650643	0	Screw
206	28545	0	Grommet, Plastic
207	33356	0	Terminal, Ground
219	650815	0	Washer, Belleville
220	8116	0	Nut
236	31353	0	Decal, Instruction
236B	31752	0	Decal, Air cleaner
239	631021	0	Inlet Needle, Seat & Clip Assy.
240	631458	0	Carburetor
249	33239	0	Gasket Set



Engine Parts List #2

Ref #	Part Number	Qty	Description
77	27656	0	Washer, Flat
95	650489	0	Screw
95	650516	0	Screw
107	28277	0	Washer, Flat
121	30063	0	Screw
121	30688	0	Screw, Hex hd. Sems, 1/4-20 x 1/2
209	33018	0	Harness, Adapter
223	590343	0	Rope & Handle Assy., Starter
224	28301	0	Pulley, Starter
237	32434	0	Contact Assy., Breaker
238	610767A	0	Condenser
244	610766	0	Magneto, Tecumseh Alternator (w/ring gear)
246	29965	0	Motor, Starter (12 Volt)
246	32468A	0	Motor, Starter (12 Volt)
246	32468B	0	Motor, Starter (12 Volt)
246	33606	0	Motor, Starter (12 Volt)
247	32386	0	Starter Motor Kit (110-120 Volt)
247	32901	0	Starter Motor Kit (110-120 Volt)
247	33328	0	Starter Motor Kit (110-120 Volt)
247	33328A	0	Starter Motor Kit (110-120 Volt)
247	33328B	0	Starter Motor Kit (110-120 Volt)
247	33328C	0	Starter Motor Kit (110-120 Volt)
247	33518	0	Starter Motor Kit (110-120 Volt)
247	33518A	0	Starter Motor Kit (110-120 Volt)
247	33518B	0	Starter Motor Kit (110-120 Volt)
247	33518B	0	Starter Motor Kit (110-120 Volt)
248	30811A	0	Flywheel
248	611042	0	Flywheel (Std. Point) (V70 type letter D)
248	611085	0	Flywheel (Solid state ignition)



Ref #	Part Number	Qty	Description
66	29747B	0	Screw, Phil. Hex hd. Sems, 5/16-24 x 21/32
92	31667	0	Spring, Pre-cleaner bag
93	31668	0	Bag, Pre-cleaner
94	730512	0	Kit, Pre-cleaner
116A	29683	0	Strainer & Shut-off
124	26460	0	Clamp, Fuel line
125	29774	0	Line, Fuel (Braided 8.25")
125	30705	0	Line, Fuel (Braided 16")
125	30962	0	Line, Fuel (Braided 32")
126A	32874	0	Tank Assy., Fuel (6 qt.)
127A	32437A	0	Gauge, Visual fuel
135	27930	0	Gasket, Exhaust
136C	32686	0	Muffler
136F	391026	0	Muffler
146	650689	0	Screw
147	32922	0	Elbow, Exhaust
153A	730130	0	Muffler Adapter Kit
153	31288	0	Muffler Adapter Kit
154	6021A	0	Screw, Hex flange hd., 5/16-18 x 1-1/2
155	650697A	0	Screw, Hex flange hd., 5/16-18 x 2-1/2
156	30196	0	Screw
165	27793	0	Clip, Conduit
166	28942	0	Screw