



Engine Parts List #1

| Ref # | Part Number | Qty | Description |
|-------|-------------|-----|--|
| 1 | 34172A | 0 | Cylinder Assy. (2-3/4" Bore) |
| 2 | 27652 | 0 | Pin, Dowel |
| 3 | 31461 | 0 | Bushing, Crankshaft |
| 3A | 31462 | 0 | Bushing, Crankshaft |
| 4 | 32630 | 0 | Seal, Oil |
| 5 | 32783 | 0 | Valve, Intake (Standard) |
| 5 | 32784 | 0 | Valve, Intake (1/32" oversize) |
| 6 | 27878A | 0 | Valve, Intake (Standard) |
| 6 | 27880A | 0 | Valve, Intake (1/32" oversize) |
| 7 | 27882 | 0 | Cap, Upper valve spring |
| 8A | 27881 | 0 | Spring, Valve |
| 8 | 27881 | 0 | Spring, Valve |
| 9A | 32581 | 0 | Cap, Lower valve spring |
| 9 | 32581 | 0 | Cap, Lower valve spring |
| 10 | 20810 | 0 | Pin, Valve spring retaining |
| 11 | 32639 | 0 | Crankshaft Assy. |
| 12 | 29783 | 0 | Pin, Crankshaft gear |
| 13 | 27884 | 0 | Gear, Crankshaft |
| 14A | 32592B | 0 | Piston & Pin Assy. (Std.) (2-3/4") |
| 14A | 32593B | 0 | Piston & Pin Assy. (.010 oversize) |
| 14A | 32594B | 0 | Piston & Pin Assy. (.020 oversize) |
| 14 | 34517 | 0 | Piston, Pin & Ring Assy. (Std.) |
| 14 | 34518 | 0 | Piston, Pin & Ring Assy. (.010 oversize) |
| 14 | 34519 | 0 | Piston, Pin & Ring Assy. (.020 oversize) |
| 15 | 32595 | 0 | Ring Set, Piston (Std.) (2-3/4") |
| 15 | 32596 | 0 | Ring Set, Piston (.010 oversize) |
| 15 | 32597 | 0 | Ring Set, Piston (.020 oversize) |
| 16 | 27888 | 0 | Ring, Piston pin retaining |
| 17 | 32591C | 0 | Rod Assy., Connecting |
| 18 | 650662C | 0 | Screw, Connecting rod (Two pieces) |
| 20 | 650625 | 0 | Washer, Thrust |
| 21 | 34034 | 0 | Lifter, Valve |
| 22 | 32114 | 0 | Camshaft (Mech. Compression Release) |
| 24 | 31471C | 0 | Flange, Mounting |
| 25 | 31355 | 0 | Screen, Oil filter |
| 26 | 30684 | 0 | Gasket, Mounting flange |
| 27 | 29117 | 0 | Screw |
| 34 | 27897 | 0 | Seal, Oil |
| 35 | 650548 | 0 | Screw, Hex washer hd., 8-32 x 5/16 |
| 36 | 31335 | 0 | Clamp, Governor lever |
| 37 | 27642 | 0 | Plug, Drain |
| 38 | 31356 | 0 | Pump Assy., Oil |
| 39 | 650488 | 0 | Screw |
| 43 | 27275 | 0 | Clip, Hi-tension wire |
| 44 | 29443 | 0 | Clip, Fuel line |
| 47 | 32631 | 0 | Gasket, Cylinder head |
| 48 | 30938A | 0 | Head, Cylinder |
| 49 | 30939A | 0 | Cover, Cylinder head |
| 50 | 610118 | 0 | Cover, Spark plug |
| 51 | 650697A | 0 | Screw, Hex flange hd., 5/16-18 x 2-1/2 |
| 52 | 33636 | 0 | Plug, Spark (Champion J-8 or equivalent) |
| 52 | 34251 | 0 | Resistor Spark Plug |
| 53 | 27896 | 0 | Gasket, Breather cover |
| 54 | 28423 | 0 | Body, Breather |
| 55 | 28424 | 0 | Element, Breather |
| 56 | 28425 | 0 | Cover, Valve chamber |
| 57 | 27627 | 0 | Tube, Breather |
| 59 | 650128 | 0 | Screw |

Engine Parts List #1

| Ref # | Part Number | Qty | Description |
|-------|-------------|-----|--|
| 60 | 27915 | 0 | Gasket, Intake pipe |
| 61 | 32632 | 0 | Pipe, Intake |
| 64 | 650378 | 0 | Screw |
| 65 | 26756 | 0 | Gasket, Carburetor |
| 67 | 32629B | 0 | Housing Assy., Blower (5.56 dia. starter |
| 69 | 32633 | 0 | Stud, Intake pipe |
| 69A | 650372 | 0 | Screw, Hex hd. Sems, 1/4-20 x 13/16 |
| 70 | 29752 | 0 | Nut |
| 76 | 27261 | 0 | Washer, Flat |
| 76 | 650168 | 0 | Washer, Flat |
| 78 | 650690 | 0 | Washer, Belleville |
| 79 | 650691 | 0 | Washer, Flat |
| 84 | 27272 | 0 | Gasket, Air cleaner |
| 85 | 31691 | 0 | Bracket, Air cleaner |
| 86 | 28820 | 0 | Screw |
| 87 | 650152 | 0 | Screw |
| 88 | 30727 | 0 | Element, Air cleaner |
| 89 | 730127 | 0 | Cleaner Assy., Air (Poly) |
| 89 | 730164 | 0 | Cleaner Assy., Air (Paper) |
| 90 | 31715 | 0 | Body, Air cleaner |
| 95 | 650489 | 0 | Screw |
| 95 | 650516 | 0 | Screw |
| 96 | 650561 | 0 | Screw |
| 97A | 29536 | 0 | Baffle, Blower housing |
| 97A | 35256A | 0 | Baffle, Blower housing (With electric |
| 98 | 32589 | 0 | Key, Flywheel |
| 103 | 31361 | 0 | Spring, Governor |
| 104 | 32582 | 0 | Link, Governor spring |
| 105 | 30669 | 0 | Rod, Governor |
| 106 | 31357 | 0 | Lever, Governor |
| 107 | 28277 | 0 | Washer, Flat |
| 108 | 31823 | 0 | Link, Throttle |
| 109 | 31707A | 0 | Spacer Assy., Governor |
| 110 | 30668 | 0 | Shaft, Mechanical governor |
| 111 | 30591 | 0 | Gear Assy., Governor |
| 112 | 29193 | 0 | Ring, Retaining |
| 113 | 30588A | 0 | Spool, Governor |
| 117 | 30622A | 0 | Extension, Blower housing |
| 118 | 650128 | 0 | Screw |
| 119 | 30688 | 0 | Screw, Hex hd. Sems, 1/4-20 x 1/2 |
| 119 | 30063 | 0 | Screw |
| 120 | 29716 | 0 | Screw |
| 126 | 32584 | 0 | Tank Assy., Fuel (White Poly) (2 qt.) |
| 127 | 33032 | 0 | Cap, Fuel filler (Red Plastic) (Spurt |
| 127 | 34118 | 0 | Cap, Fuel filler (Red Plastic) (Spurt |
| 127 | 34210 | 0 | Cap, Fuel filler (Red Plastic) (Spurt |
| 127 | 410144B | 0 | Cap, Fuel filler (White Plastic) (Std.) |
| 135 | 27930 | 0 | Gasket, Exhaust |
| 136 | 30273 | 0 | Muffler |
| 137 | 650696 | 0 | Screw, Hex hd., 5/16-18 x 2-3/4 |
| 138 | 31588 | 0 | Plate, Muffler locking |
| 139 | 8274 | 0 | Lockwasher |
| 158 | 35349 | 0 | Wire Assy., Ground (Female fittings both |
| 159 | 610973 | 0 | Terminal Assy. |
| 161 | 31342 | 0 | Spring, Compression |
| 162 | 650549 | 0 | Screw |
| 163 | 30200 | 0 | Screw |
| 164 | 32410 | 0 | Knob, Speed control |

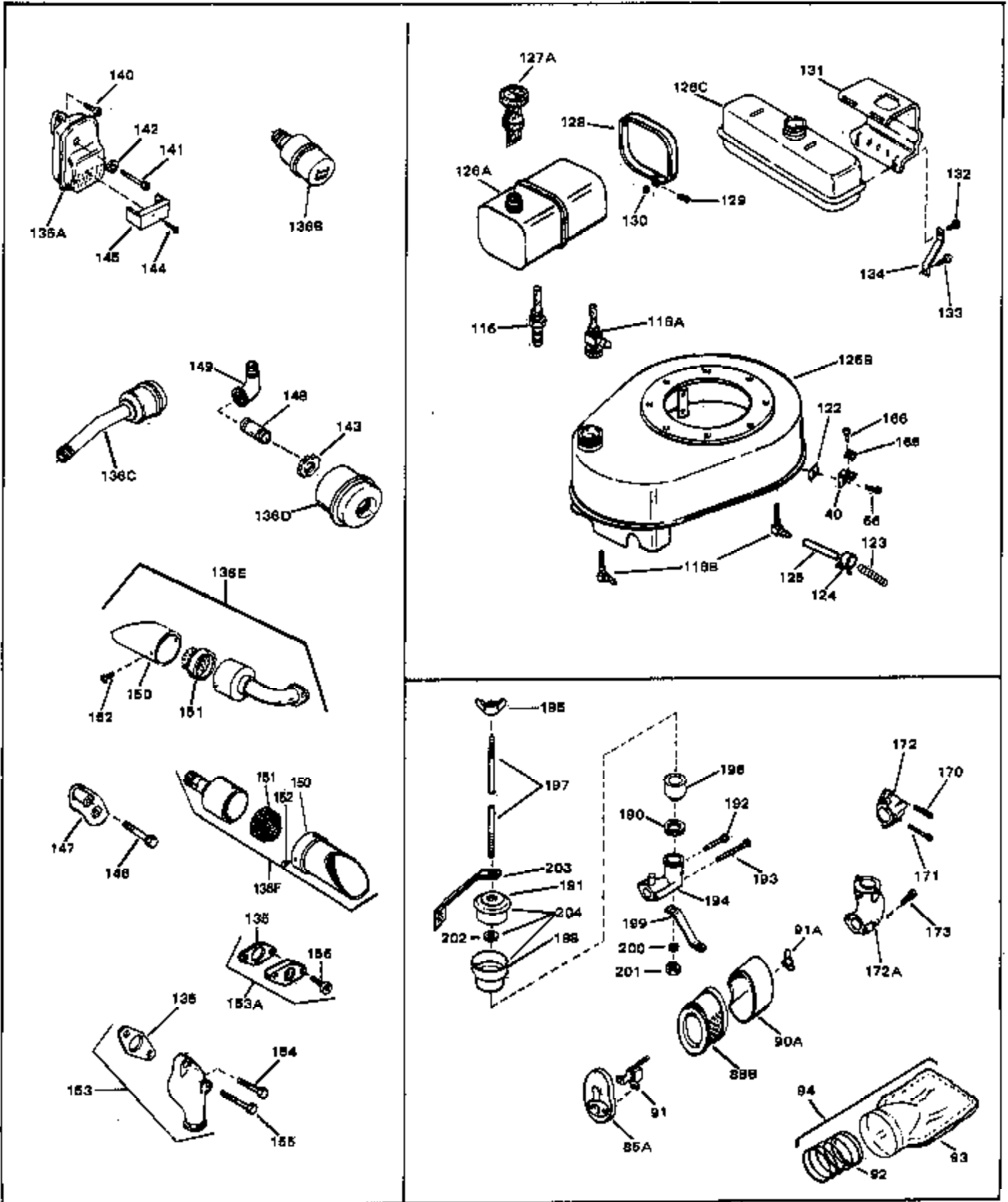
Engine Parts List #1

| Ref # | Part Number | Qty | Description |
|-------|-------------|-----|---------------------------------|
| 165 | 27793 | 0 | Clip, Conduit |
| 166 | 28942 | 0 | Screw |
| 167 | 32181A | 0 | Control Assy., Speed |
| 182 | 27625 | 0 | Plug, Oil filler |
| 183 | 29673 | 0 | Gasket, Filler plug |
| 219 | 650815 | 0 | Washer, Belleville |
| 220 | 8116 | 0 | Nut |
| 221 | 32125 | 0 | Cup, Starter |
| 222 | 590417 | 0 | Screen, Starter cup |
| 236A | 550223 | 0 | Decal, Name |
| 236 | 34346 | 0 | Decal, Instruction |
| 236B | 31752 | 0 | Decal, Air cleaner |
| 239 | 631021 | 0 | Inlet Needle, Seat & Clip Assy. |
| 240 | 631449 | 0 | Carburetor |
| 245 | 590420 | 0 | Starter, Rewind |
| 249 | 33239 | 0 | Gasket Set |



Engine Parts List #2

| Ref # | Part Number | Qty | Description |
|-------|-------------|-----|---|
| 77 | 27656 | 0 | Washer, Flat |
| 95 | 650489 | 0 | Screw |
| 95 | 650516 | 0 | Screw |
| 107 | 28277 | 0 | Washer, Flat |
| 121 | 30063 | 0 | Screw |
| 121 | 30688 | 0 | Screw, Hex hd. Sems, 1/4-20 x 1/2 |
| 209 | 33018 | 0 | Harness, Adapter |
| 237 | 30547A | 0 | Contact Assy., Breaker |
| 238 | 30548B | 0 | Condenser |
| 244 | 610689A | 0 | Magneto, Tecumseh |
| 247 | 32386 | 0 | Starter Motor Kit (110-120 Volt) |
| 247 | 32901 | 0 | Starter Motor Kit (110-120 Volt) |
| 247 | 33328 | 0 | Starter Motor Kit (110-120 Volt) |
| 247 | 33328A | 0 | Starter Motor Kit (110-120 Volt) |
| 247 | 33328B | 0 | Starter Motor Kit (110-120 Volt) |
| 247 | 33328C | 0 | Starter Motor Kit (110-120 Volt) |
| 247 | 33518 | 0 | Starter Motor Kit (110-120 Volt) |
| 247 | 33518A | 0 | Starter Motor Kit (110-120 Volt) |
| 247 | 33518B | 0 | Starter Motor Kit (110-120 Volt) |
| 247 | 33518B | 0 | Starter Motor Kit (110-120 Volt) |
| 248 | 30811A | 0 | Flywheel |
| 248 | 611042 | 0 | Flywheel (Std. Point) (V70 type letter D) |
| 248 | 611085 | 0 | Flywheel (Solid state ignition) |



| Ref # | Part Number | Qty | Description |
|-------|-------------|-----|--|
| 66 | 29747B | 0 | Screw, Phil. Hex hd. Sems, 5/16-24 x 21/32 |
| 124 | 26460 | 0 | Clamp, Fuel line |
| 125 | 29774 | 0 | Line, Fuel (Braided 8.25") |
| 125 | 30705 | 0 | Line, Fuel (Braided 16") |
| 125 | 30962 | 0 | Line, Fuel (Braided 32") |
| 135 | 27930 | 0 | Gasket, Exhaust |
| 136F | 391026 | 0 | Muffler |
| 153 | 31288 | 0 | Muffler Adapter Kit |
| 153A | 730130 | 0 | Muffler Adapter Kit |
| 154 | 6021A | 0 | Screw, Hex flange hd., 5/16-18 x 1-1/2 |
| 155 | 650697A | 0 | Screw, Hex flange hd., 5/16-18 x 2-1/2 |
| 156 | 30196 | 0 | Screw |
| 165 | 27793 | 0 | Clip, Conduit |
| 166 | 28942 | 0 | Screw |