

Engine Parts List #1

| Ref # | Part Number | Qty | Description |
|-------|-------------|-----|--|
| | 1 34177 | 0 | Cylinder Assy. (2-5/8" Bore) |
| | 2 27652 | 0 | Pin, Dowel |
| | 3 31461 | 0 | Bushing, Crankshaft |
| | 4 27876B | 0 | Seal, Oil |
| | 5 32783 | 0 | Valve, Intake (Standard) |
| | 5 32784 | 0 | Valve, Intake (1/32" oversize) |
| | 6 27878A | 0 | Valve, Intake (Standard) |
| | 6 27880A | 0 | Valve, Intake (1/32" oversize) |
| | 7 27882 | 0 | Cap, Upper valve spring |
| | 8 27881 | 0 | Spring, Valve |
| | 8A 27881 | 0 | Spring, Valve |
| | 9A 32581 | 0 | Cap, Lower valve spring |
| | 9 32581 | 0 | Cap, Lower valve spring |
| | 10 20810 | 0 | Pin, Valve spring retaining |
| | 11 30896B | 0 | Crankshaft Assy. |
| | 12 29783 | 0 | Pin, Crankshaft gear |
| | 13 27884 | 0 | Gear, Crankshaft |
| | 14A 33312B | 0 | Piston & Pin Assy. (Std.) (2-5/8") |
| | 14A 33313B | 0 | Piston & Pin Assy. (.010 oversize) |
| | 14A 33314B | 0 | Piston & Pin Assy. (.020 oversize) |
| | 14 34531 | 0 | Piston, Pin & Ring Assy. (Std.) (2-5/8") |
| | 14 34532 | 0 | Piston, Pin & Ring Assy. (.010 oversize) |
| | 14 34533 | 0 | Piston, Pin & Ring Assy. (.020 oversize) |
| | 15 33315 | 0 | Ring Set, Piston (Std.) (2-5/8") |
| | 15 33316 | 0 | Ring Set, Piston (.010 oversize) |
| | 15 33317 | 0 | Ring Set, Piston (.020 oversize) |
| | 16 27888 | 0 | Ring, Piston pin retaining |
| | 17 31380C | 0 | Rod Assy., Connecting |
| | 18 650662B | 0 | Bolt, Connecting rod |
| | 18A 30682 | 0 | Bolt, Connecting rod |
| | 18A 32077 | 0 | Bolt, Connecting rod |
| | 19 26073 | 0 | Washer, Connecting rod bolt |
| | 20 28264 | 0 | Nut |
| | 21 34034 | 0 | Lifter, Valve |
| | 22 33157 | 0 | Camshaft (Compression Release) |
| | 23 30684 | 0 | Gasket, Mounting flange |
| | 24 31471C | 0 | Flange, Mounting |
| | 25 31355 | 0 | Screen, Oil filter |
| | 26 29117 | 0 | Screw |
| | 30 29673 | 0 | Gasket, Filler plug |
| | 31 27625 | 0 | Plug, Oil filler |
| | 32 31462 | 0 | Bushing, Crankshaft |
| | 34 27897 | 0 | Seal, Oil |
| | 34A 28926 | 0 | Seal, Oil (Camshaft) |
| | 35 650548 | 0 | Screw, Hex washer hd., 8-32 x 5/16 |
| | 36 31335 | 0 | Clamp, Governor lever |
| | 37 27642 | 0 | Plug, Drain |
| | 38 31356 | 0 | Pump Assy., Oil |
| | 39 30564 | 0 | Screw |
| | 39 650488 | 0 | Screw |
| | 40 33876 | 0 | Gasket, Stator |
| | 41 28954 | 0 | Cover, Oil filler hole |
| | 42 28749 | 0 | Screw, Phil. Rd. hd., w/neoprene washer, |
| | 43 28747 | 0 | Gasket, Oil filler tube |
| | 45 34165 | 0 | Dipstick, Oil (Screw In) (2.34") |
| | 46 29673 | 0 | Gasket, Filler plug |
| | 47 28938B | 0 | Gasket, Cylinder head |
| | 48 30938A | 0 | Head, Cylinder |

Engine Parts List #1

| Ref # | Part Number | Qty | Description |
|-------|-------------|-----|--|
| 49 | 28833 | 0 | Gasket, Oil drain |
| 50 | 32704 | 0 | Clip, Fuel line |
| 50A | 31560 | 0 | Clip, Fuel line |
| 50A | 32704 | 0 | Clip, Fuel line |
| 51 | 650694A | 0 | Screw, Hex flange hd., 5/16-18 x 2 |
| 51 | 650697A | 0 | Screw, Hex flange hd., 5/16-18 x 2-1/2 |
| 51A | 26073 | 0 | Washer, Connecting rod bolt |
| 51A | 650690 | 0 | Washer, Belleville |
| 51B | 650691 | 0 | Washer, Flat |
| 52 | 33636 | 0 | Plug, Spark (Champion J-8 or equivalent) |
| 52 | 34251 | 0 | Resistor Spark Plug |
| 53 | 27896 | 0 | Gasket, Breather cover |
| 54 | 28423 | 0 | Body, Breather |
| 55 | 28424 | 0 | Element, Breather |
| 56 | 28425 | 0 | Cover, Valve chamber |
| 57 | 27627 | 0 | Tube, Breather |
| 58 | 650128 | 0 | Screw |
| 59 | 650378 | 0 | Screw |
| 60 | 27915 | 0 | Gasket, Intake pipe |
| 61 | 31358 | 0 | Pipe, Intake |
| 65 | 26756 | 0 | Gasket, Carburetor |
| 67 | 32629A | 0 | Housing, Blower (5.56 Dia. starter mtg. bolt |
| 69 | 6201 | 0 | Screw |
| 69 | 6202 | 0 | Screw |
| 70 | 8274 | 0 | Lockwasher |
| 71 | 29752 | 0 | Nut |
| 74 | 30936 | 0 | Flange, Air cleaner |
| 76 | 27656 | 0 | Washer, Flat |
| 76 | 650168 | 0 | Washer, Flat |
| 77 | 30767 | 0 | Spacer, Air cleaner |
| 78 | 650152 | 0 | Screw |
| 79 | 610973 | 0 | Terminal Assy. |
| 80 | 31342 | 0 | Spring, Compression |
| 81 | 650549 | 0 | Screw |
| 82 | 32181A | 0 | Control Assy., Speed |
| 83 | 30200 | 0 | Screw |
| 84 | 27272 | 0 | Gasket, Air cleaner |
| 85 | 31691 | 0 | Bracket, Air cleaner |
| 86 | 28820 | 0 | Screw |
| 87 | 730127 | 0 | Cleaner Assy., Air (Poly) |
| 88 | 30727 | 0 | Element, Air cleaner |
| 89 | 31715 | 0 | Body, Air cleaner |
| 95 | 29536 | 0 | Baffle, Blower housing |
| 96 | 650561 | 0 | Screw |
| 98 | 30884 | 0 | Key, Flywheel |
| 99 | 31778 | 0 | Spring, Coil |
| 100 | 30939A | 0 | Cover, Cylinder head |
| 101 | 650489 | 0 | Screw |
| 101 | 650516 | 0 | Screw |
| 102 | 32582 | 0 | Link, Governor spring |
| 103 | 31361 | 0 | Spring, Governor |
| 104 | 30669 | 0 | Rod, Governor |
| 105 | 31357 | 0 | Lever, Governor |
| 106 | 31823 | 0 | Link, Throttle |
| 107 | 28277 | 0 | Washer, Flat |
| 109 | 31707A | 0 | Spacer Assy., Governor |
| 110 | 30668 | 0 | Shaft, Mechanical governor |
| 111 | 30591 | 0 | Gear Assy., Governor |

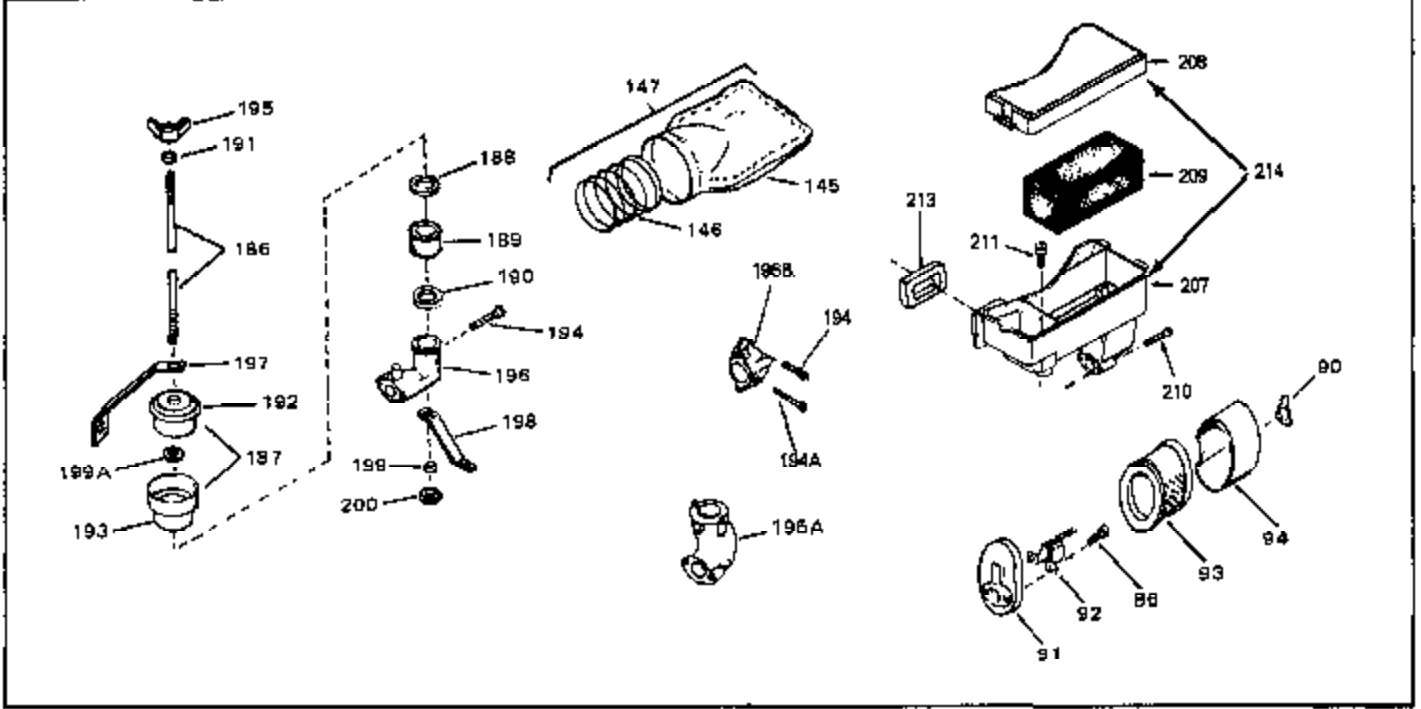
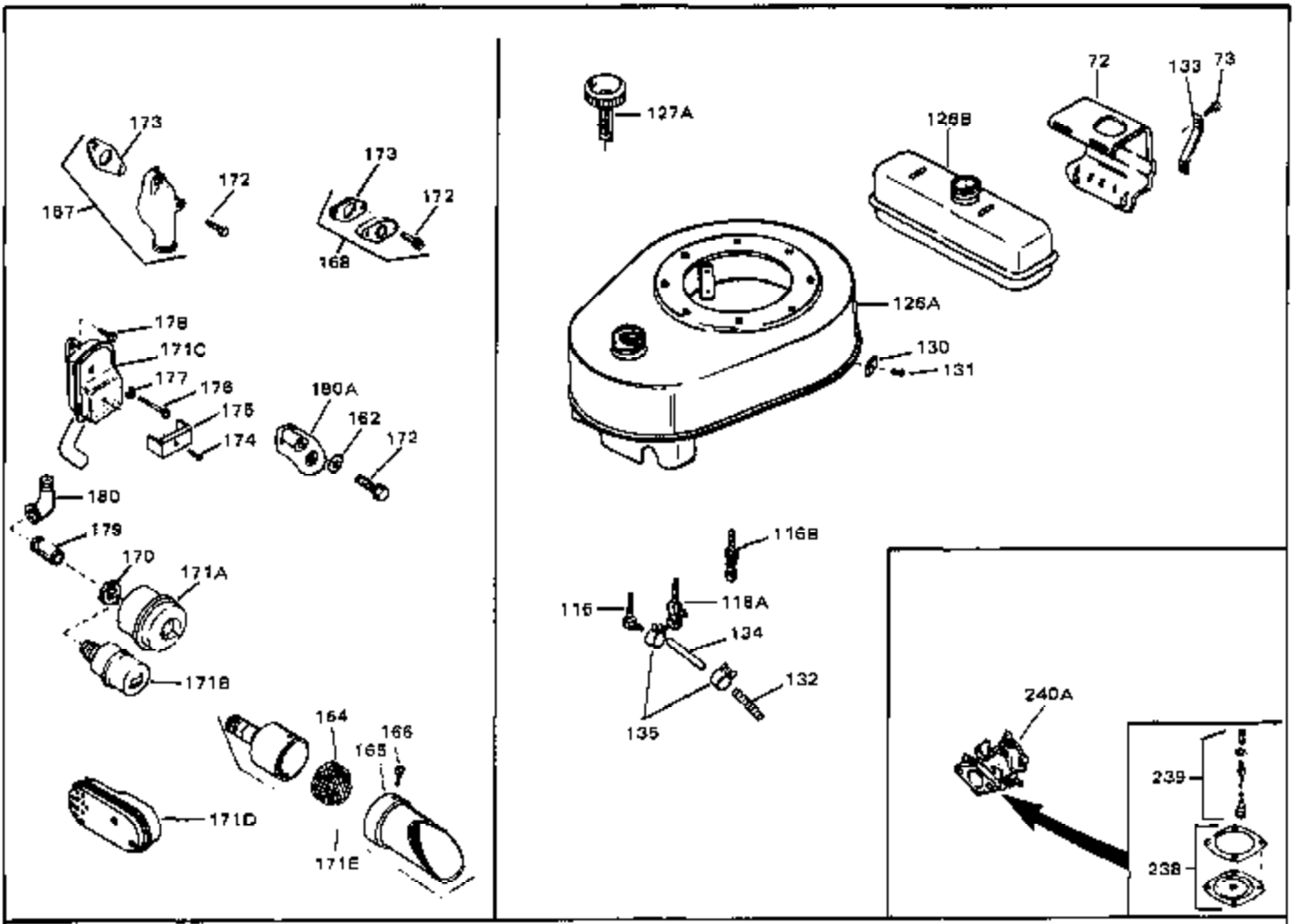
Engine Parts List #1

| Ref # | Part Number | Qty | Description |
|-------|-------------|-----|---|
| 112 | 29193 | 0 | Ring, Retaining |
| 113 | 30588A | 0 | Spool, Governor |
| 114 | 27793 | 0 | Clip, Conduit |
| 115 | 28942 | 0 | Screw |
| 117 | 30622 | 0 | Extension, Blower housing |
| 118 | 650128 | 0 | Screw |
| 119 | 30063 | 0 | Screw |
| 119 | 30688 | 0 | Screw, Hex hd. Sems, 1/4-20 x 1/2 |
| 120 | 650557 | 0 | Nut |
| 122 | 27275 | 0 | Clip, Hi-tension wire |
| 122 | 33685 | 0 | Clip, Hi-tension wire |
| 123 | 650815 | 0 | Washer, Belleville |
| 124 | 8116 | 0 | Nut |
| 126 | 32584 | 0 | Tank Assy., Fuel (White Poly) (2 qt.) |
| 127 | 33032 | 0 | Cap, Fuel filler (Red Plastic) (Spurt |
| 127 | 34210 | 0 | Cap, Fuel filler (Red Plastic) (Spurt |
| 127 | 410144B | 0 | Cap, Fuel filler (White Plastic) (Std.) |
| 131 | 29747A | 0 | Screw |
| 137 | 29716 | 0 | Screw |
| 137 | 650601 | 0 | Screw, Fil. hd., 1/4-28 x 2 |
| 143 | 590417 | 0 | Screen, Starter cup |
| 144 | 32125 | 0 | Cup, Starter |
| 157 | 34235 | 0 | Wire, Ground (One female fitting & one |
| 169 | 31588 | 0 | Plate, Muffler locking |
| 171 | 28269 | 0 | Muffler |
| 172 | 30196 | 0 | Screw |
| 172 | 6021A | 0 | Screw, Hex flange hd., 5/16-18 x 1-1/2 |
| 172 | 650689 | 0 | Screw |
| 172 | 650695A | 0 | Screw, Hex flange hd., 5/16-18 x 2-1/4 |
| 172 | 650696 | 0 | Screw, Hex hd., 5/16-18 x 2-3/4 |
| 172 | 650697A | 0 | Screw, Hex flange hd., 5/16-18 x 2-1/2 |
| 172A | 8274 | 0 | Lockwasher |
| 173 | 27930 | 0 | Gasket, Exhaust |
| 181 | 29573 | 0 | Elbow, Oil drain (90°) |
| 184 | 30747 | 0 | Clip, Shorting |
| 185 | 16645 | 0 | Lockwasher |
| 206 | 31873 | 0 | Baffle, Air |
| 234 | 34346 | 0 | Decal, Instruction |
| 234B | 31752 | 0 | Decal, Air cleaner |
| 234A | 31478 | 0 | Decal, H.P. (4 H.P.) |
| 234A | 31517 | 0 | Decal, H.P. (5 H.P.) |
| 234A | 32173 | 0 | Decal, H.P. (6 H.P.) |
| 234A | 34316 | 0 | Decal, Name |
| 234D | 31490 | 0 | Decal, Oil |
| 235 | 30547A | 0 | Contact Assy., Breaker |
| 236 | 30548B | 0 | Condenser |
| 237 | 631021 | 0 | Inlet Needle, Seat & Clip Assy. |
| 240 | 631444 | 0 | Carburetor |
| 241 | 610689A | 0 | Magneto, Tecumseh |
| 242 | 590420 | 0 | Starter, Rewind |
| 245 | 33234A | 0 | Gasket Set |



Engine Parts List #2

| Ref # | Part Number | Qty | Description |
|-------|-------------|-----|-----------------------------------|
| 51A | 26073 | 0 | Washer, Connecting rod bolt |
| 51A | 650690 | 0 | Washer, Belleville |
| 97 | 29749 | 0 | Clip, Retaining |
| 130 | 28511 | 0 | Plate, Securing |
| 140 | 590343 | 0 | Rope & Handle Assy., Starter |
| 141 | 28301 | 0 | Pulley, Starter |
| 149 | 30063 | 0 | Screw |
| 149 | 30688 | 0 | Screw, Hex hd. Sems, 1/4-20 x 1/2 |
| 151 | 28726 | 0 | Screw, Phil. rd. hd., 5-40 x 9/16 |
| 152 | 28727 | 0 | Lockwasher |
| 153 | 28728 | 0 | Nut |
| 154 | 30064 | 0 | Cover, Rectifier panel |
| 155 | 30065 | 0 | Nut, Long 5-40 |
| 156 | 30066 | 0 | Screw |
| 163A | 33018 | 0 | Harness, Adapter |
| 201 | 28545 | 0 | Grommet, Plastic |
| 202 | 33356 | 0 | Terminal, Ground |
| 203 | 650643 | 0 | Screw |
| 204 | 24522 | 0 | Control, Throttle |
| 234G | 30595 | 0 | Decal, Ezee-start |
| 244 | 33518A | 0 | Starter Motor Kit (110-120 Volt) |
| 244A | 30811A | 0 | Flywheel |



Engine Parts List #3

| Ref # | Part Number | Qty | Description |
|-------|-------------|-----|--|
| 72 | 31572 | 0 | Strap, Fuel tank |
| 73 | 650556 | 0 | Screw |
| 73 | 792028 | 0 | Screw, Hex hd. Sems, 5/16-18 x 7/8 |
| 86 | 28820 | 0 | Screw |
| 116B | 28837 | 0 | Strainer & Fitting |
| 116 | 28584 | 0 | Strainer & Elbow |
| 116A | 29683 | 0 | Strainer & Shut-off |
| 130 | 28511 | 0 | Plate, Securing |
| 131 | 29747A | 0 | Screw |
| 132 | 28819 | 0 | Spring, Fuel line |
| 133 | 31613 | 0 | Brace, Fuel tank |
| 134 | 29774 | 0 | Line, Fuel (Braided 8.25") |
| 134 | 30705 | 0 | Line, Fuel (Braided 16") |
| 134 | 30962 | 0 | Line, Fuel (Braided 32") |
| 134 | 30965 | 0 | Line, Fuel (Braided 48") |
| 135 | 26460 | 0 | Clamp, Fuel line |
| 145 | 31668 | 0 | Bag, Pre-cleaner |
| 146 | 31667 | 0 | Spring, Pre-cleaner bag |
| 147 | 730512 | 0 | Kit, Pre-cleaner |
| 162 | 8274 | 0 | Lockwasher |
| 164 | 33323 | 0 | Screen, Muffler |
| 165 | 33700 | 0 | Cover & Tube, Muffler |
| 166 | 650578 | 0 | Screw |
| 167 | 31288 | 0 | Muffler Adapter Kit |
| 168 | 730130 | 0 | Muffler Adapter Kit |
| 170 | 28443 | 0 | Nut, Conduit (1/8" thick) |
| 170 | 32862 | 0 | Nut, Conduit (1/4" thick) |
| 171E | 391026 | 0 | Muffler |
| 172 | 30196 | 0 | Screw |
| 172 | 6021A | 0 | Screw, Hex flange hd., 5/16-18 x 1-1/2 |
| 172 | 650689 | 0 | Screw |
| 172 | 650695A | 0 | Screw, Hex flange hd., 5/16-18 x 2-1/4 |
| 172 | 650696 | 0 | Screw, Hex hd., 5/16-18 x 2-3/4 |
| 172 | 650697A | 0 | Screw, Hex flange hd., 5/16-18 x 2-1/2 |
| 173 | 27930 | 0 | Gasket, Exhaust |
| 179 | 30244 | 0 | Nipple, Exhaust pipe (2-1/2") |
| 179 | 32332 | 0 | Nipple, Exhaust pipe (2") |
| 179 | 32454 | 0 | Nipple, Exhaust pipe (1-3/8") |
| 180 | 29574 | 0 | Elbow, Exhaust (90°) |
| 180 | 30209 | 0 | Elbow, Exhaust (45°) |