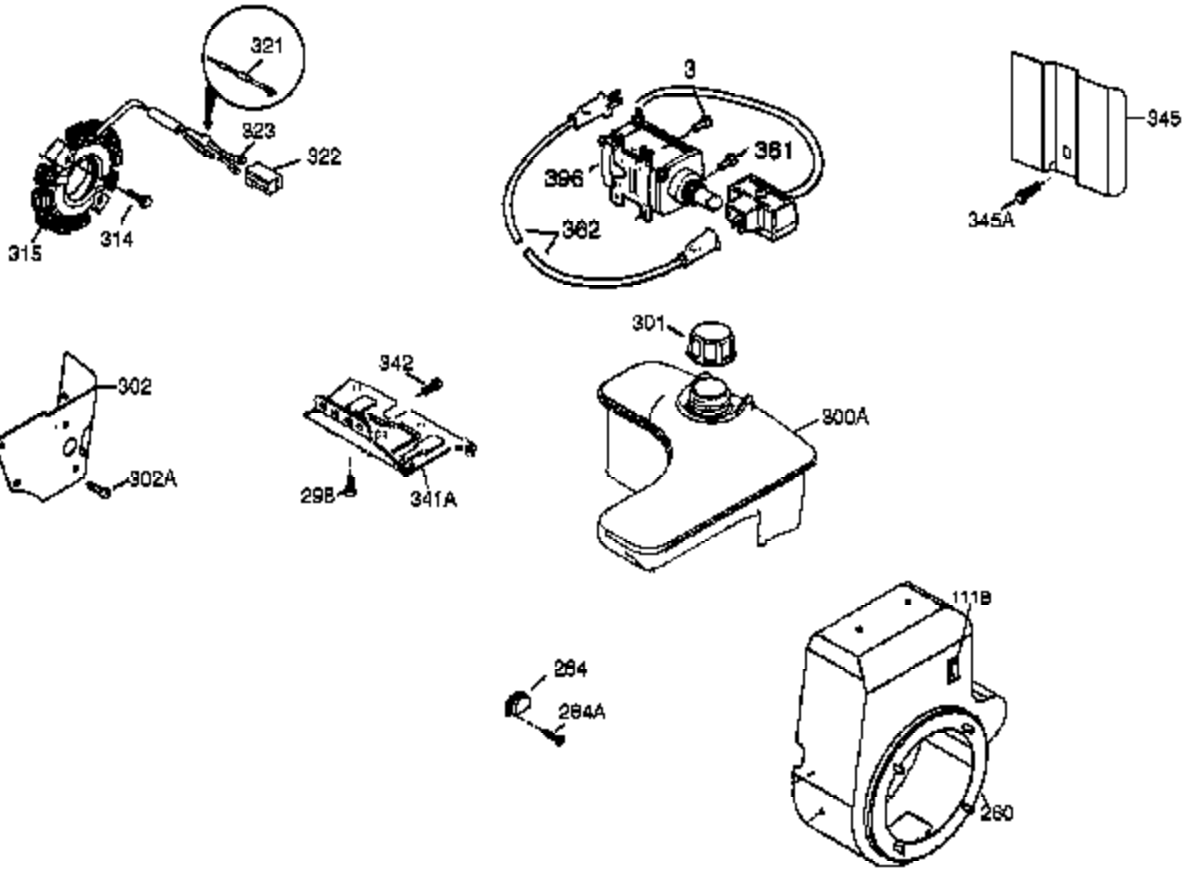


Ref #	Part Number	Qty	Description
	1 37083	1	Cylinder (Incl. 2, 20, 72 & 80)
	2 27652	2	Dowel Pin
	14 28277	1	Washer
	14A 651057	1	Washer
	15 35685	1	Governor Rod (Incl. 14 & 38)
	16 35686	1	Governor Lever
	17 29916	1	Governor Lever Clamp
	18 651028	1	Screw, Torx T-15, 8-32 x 3/8"
	19 35688	1	Extension Spring
	19D 33857	1	Extension Spring Assembly
	20 35319	1	Oil Seal
	25 36460	1	Blower Housing Baffle
	26 650561	2	Screw, 1/4-20 x 5/8"
	28 30322	1	Lock Nut, 10-32
	30 35680A	1	Crankshaft
	31 35327	1	Counterbalance Gear
	35 29826	1	Screw, 10-32 x 3/4"
	36 29918	1	Lock Washer
	37 29216	1	Lock Nut, 10-32
	38 29642	3	Retaining Ring
	40 35776A	1	Piston, Pin & Ring Set (Std.)
	40 35777A	1	Piston, Pin & Ring Set (.010" OS)
	40 35778A	1	Piston, Pin & Ring Set (.020" OS)
	41 35773A	1	Piston & Pin Ass'y (Std.) (Incl. 43)
	41 35774A	1	Piston & Pin Ass'y (.010" OS) (Incl. 43)
	41 35775A	1	Piston & Pin Ass'y (.020" OS) (Incl. 43)
	42 35779	1	Ring Set (Std.)
	42 35780	1	Ring Set (.010" OS)
	42 35781	1	Ring Set (.020" OS)
	43 35772	2	Piston Pin Retaining Ring
	45 36898	1	Connecting Rod Ass'y (Incl. 47)
	47 651033	2	Connecting Rod Bolt
	48 35313	2	Valve Lifter
	50 35682A	1	Camshaft (MCR)
	51 35315A	1	Counterbalance Weight
	60 35316A	1	Blower Housing Extension
	65 650784	1	Screw, 10-24 x 11/16"
	66 650561	1	Screw, 1/4-20 x 19/32"
	69 35683	1	* Cylinder Cover Gasket
	70 35684A	1	Cylinder Cover (Incl. 14, 15, 38, 71, 75)
	71 35377	1	Crankshaft Bushing
	72 27642	2	Oil Drain Plug
	75 35319	1	Oil Seal
	80 35751	1	Governor Shaft
	81 35479	2	Washer
	82 35321	1	Governor Gear Ass'y
	83 35322	1	Governor Spool
	84 29193	1	Retaining Ring
	86 650833	7	Screw, 1/4-20 x 1-3/16"
	87 650832	1	Screw, 1/4-20 x 1-11/16"
	89 32589	1	Flywheel Key
	90 611094	1	Flywheel (W/Ring Gear)
	92 650880	1	Lock Washer
	93 650881	1	Flywheel Nut
	100 35135	1	Solid State Ignition
	101 610118	1	Spark Plug Cover
	102 651024	2	Solid State Mounting Stud
	103 651007	2	Screw, Torx T-15, 10-24 x 15/16"

Ref #	Part Number	Qty	Description
119	36932	1	* Cylinder Head Gasket
120	37084	1	Cylinder Head
125	36934	1	Exhaust Valve (Std.)
125	36936	1	Exhaust Valve (1/32" OS)
126	36935	1	Intake Valve (Std.)
126	36937	1	Intake Valve (1/32" OS)
127	650691	6	Washer
128	650690	6	Belleville Washer
130	650697A	6	Screw, 5/16-18 x 2-1/2"
135	34645	1	Spark Plug (RN4C)
150	33507	2	Valve Spring
151	33508	2	Valve Spring Keeper
153	35949	1	Push Rod Guide
154	650945	2	Rocker Arm Stud
155	35950	2	Rocker Arm
157	650947	2	Jam Nut
158	35466	2	Push Rod
159	35952	1	* Rocker Arm Cover Gasket
160	35953A	1	Rocker Arm Housing
161	30063	4	Screw, Torx T-30, 1/4-20 x 1/2"
163	650890	2	Lock Washer
169	27896A	2	* Valve Cover Gasket
170	28423	1	Breather Body
171	28424	1	Breather Element
172	28425	1	Valve Cover
173	35350	1	Breather Tube
174	650128	2	Screw, 10-24 x 1/2"
180	37101	1	Blower Housing Extension
181	30200	2	Lock Nut, 10-32
182	650517	2	Screw, Torx T-30, 1/4-20 x 27/32"
184	33263	1	* Carburetor To Intake Pipe Gasket
185	37085	1	Intake Pipe
186	35691	1	Governor Link
200	37223	1	Control Bracket (Incl. 203 & 204)
202	36482	1	Compression Spring
203	31342	1	Compression Spring
204	651029	1	Screw, Torx T-10, 5-40 x 7/16"
205	651019	1	Screw, Torx T-10, 6-32 x 41/64"
207	35692	1	Throttle Link
209	650821	2	Screw, 10-32 x 1/2"
210	27793	1	Conduit Clip
211	650837	2	Screw, 10-32 x 9/32"
212	30773A	1	Bushing
213	650930	1	Screw, 10-32 x 5/8"
216	35679	1	R.P.M. Adjusting Lever
223	650971	2	Screw, Torx T-30, 5/16-18 x 7/8"
224	33515A	1	* Intake Pipe Gasket
233A	37169	1	"O" Ring
233	37168	1	"O" Ring
235	37167	1	Breather Tube Fitting
238	28820	2	Screw, 10-32 x 1/2"
239	27272A	1	* Air Cleaner Gasket
240	32377	1	Air Cleaner Bracket Ass'y
242	37166	1	Air Cleaner Bracket
245	31925	1	Air Cleaner Filter
250	31926	1	Air Cleaner Cover
251	650513	1	Wing Nut, 1/4-20
260	35716	1	Blower Housing

Ref #	Part Number	Qty	Description
262	29747B	2	Screw, Torx T-40, 5/16-24 x 21/32"
264A	650888	1	Screw, Torx T-30, 1/4-20 x 43/64"
265	37086	1	Cylinder Head Cover
266	650876	2	Screw, 5/16-18 x 1-1/4"
269	35762	2	* Exhaust Manifold Gasket
270A	35829A	1	Exhaust Port Liner
270	35292	1	Exhaust Manifold
271	35293	1	Locking Plate (Manifold)
275	35294A	1	Muffler
276	35348	1	Locking Plate
277	650877	2	Screw, 5/16-18 x 4-1/2"
280	37224	1	Heat Shield
285	35985B	1	Starter Cup
287	29752	4	Nut & Lock Washer, 1/4-28
290	30962	1	Fuel Line
292	26460	4	Fuel Line Clamp
298	650665	2	Screw, 1/4-15 x 3/4"
300	34156A	1	Fuel Tank (Incl. 292 & 301)
301	35650	1	Fuel Cap
304	35480	1	Fuel Cap Retainer
305	35574	1	Oil Fill Tube
307	35499	1	"O" Ring
308	35539	1	Fill Tube Clip
310	35700	1	Dipstick
314	650873	2	Screw, 1/4-20 x 3/4"
319	650735	2	Screw, 10-24 x 3/8"
320	611175A	1	Regulator (7 Amp)
322	610921	1	Connector Body
323	610922	2	Terminal
323B	611260	1	Terminal
323A	611259	1	Terminal
340	35696	1	Fuel Tank Bracket
341	35697	1	Fuel Tank Bracket
342	792028	2	Screw, 5/16-18 x 7/8"
355	590701	1	Starter Handle
361	650990	4	Screw, Torx T-30, 1/4-20 x 15/32"
370K	36695	1	Logo Decal 12 H.P.
370G	35274	1	Oil Instruction Decal
380	640151	1	Carburetor (Incl. 184)
390	590746	1	Rewind Starter (NOTE: This engine could have been built with 590704 starter.)
395	36680	1	Electric Starter Motor (12 Volt)
400	36947B	1	*Gasket Set (Incl. items marked PK in notes) Incl. part #'s 27272A (1), 27896A (2), 33263 (1), 33515A (1), 35317 (1), 35683 (1), 35762 (2), 35952 (1), 36333 (1), 36352 (1), 36358 (1), 36832 (1), 36930 (1), 36932 (1), 36942 (1)
420	730225	1	SAE 30 4-Cycle Engine Oil (Quart)



Ref #	Part Number	Qty	Description
170	28423	1	Breather Body
174	650128	2	Screw, 10-24 x 1/2"
260	35716	1	Blower Housing
298	650665	2	Screw, 1/4-15 x 3/4"
301	35650	1	Fuel Cap
314	650873	2	Screw, 1/4-20 x 3/4"
315	611256	1	Alternator Coil (Incl. 322 - 323B)
322	610921	1	Connector Body
323	610922	2	Terminal
341	35697	1	Fuel Tank Bracket
342	792028	2	Screw, 5/16-18 x 7/8"
345	35699	1	Heat Baffle
361	650990	4	Screw, Torx T-30, 1/4-20 x 15/32"