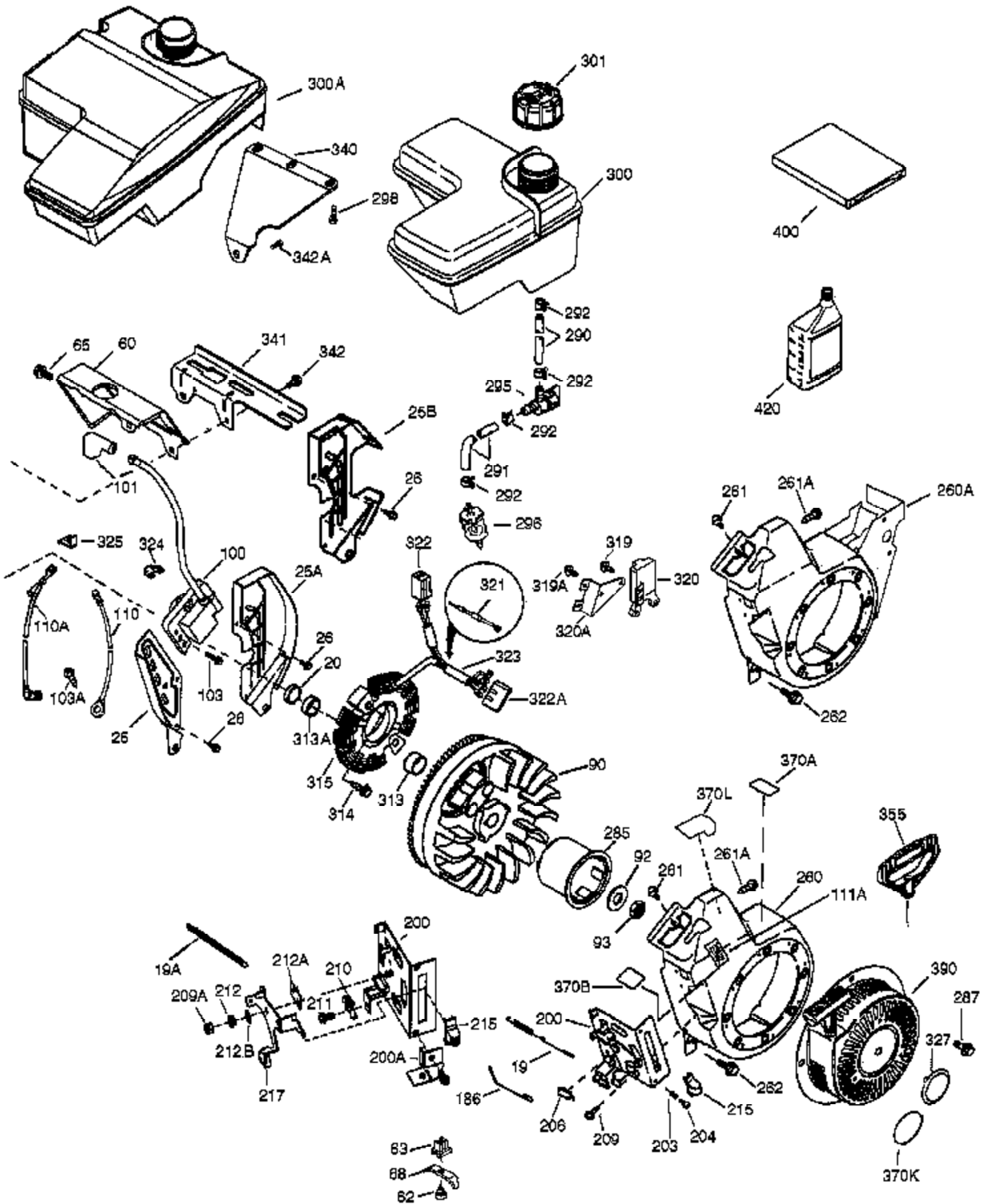


Ref #	Part Number	Qty	Description
	1 36718	1	Cylinder (Incl. 2, 20 & 72)
	2 26727	2	Dowel Pin
	14 28277	1	Washer
	15 30589	1	Governor Rod
	16 36618	1	Governor Lever
	17 36700	1	Governor Lever Clamp
	18 651028	1	Screw, Torx T-15, 8-32 x 3/8"
	30 34745	1	Crankshaft
	35 29826	1	Screw, 10-32 x 3/4"
	36 29918	1	Lock Washer
	37 29216	1	Lock Nut, 10-32
	38 29642	1	Retaining Ring
	40 40004	1	Piston, Pin & Ring Set (Std.)
	40 40005	1	Piston, Pin & Ring Set (.010" OS)
	41 36070	1	Piston & Pin Ass'y (Std.) (Incl. 43)
	41 36071	1	Piston & Pin Ass'y (.010" OS) (Incl. 43)
	42 40006	1	Ring Set (Std.)
	42 40007	1	Ring Set (.010" OS)
	43 20381	2	Piston Pin Retaining Ring
	45 32875A	1	Connecting Rod Ass'y (Incl. 46 & 49)
	46 32610A	2	Connecting Rod Bolt
	48 35616	2	Valve Lifter
	49 36611	1	Oil Dipper
	50 36620	1	Camshaft (Incl. 253 & 254)
	64 650738	1	Screw, 1/4-20 x 5/8"
	69 36624	1	* Cylinder Cover Gasket
	70 36761	1	Cylinder Cover (Incl. 75 thru 83 & 31 1)
	72 27642	1	Oil Drain Plug
	75 28460	1	Oil Seal
	80 30574A	1	Governor Shaft
	81 30590A	1	Washer
	82 30591	1	Governor Gear Ass'y (Incl. 81)
	83 36057	1	Governor Spool
	86 650488	8	Screw, 1/4-20 x 1-1/4"
	89 610961	1	Flywheel Key
	119 36719	1	* Cylinder Head Gasket
	120 36721	1	Cylinder Head
	125 36471	1	Exhaust Valve (Std.) (Incl. 151)
	125 36472	1	Exhaust Valve (1/32" OS) (Incl. 151)
	126 37711	1	Intake Valve (Std.) (Incl. 151)
	126 29315C	1	Intake Valve (1/32" OS) (Incl. 151)
	130A 650999	1	Screw, 5/16-18 x 2-41/64"
	130 650912	4	Screw, 5/16-18 x 1-1/2"
	135 34645		Resistor Spark Plug (RN4C)
	150 31672	2	Valve Spring
	151 31673	2	Valve Spring Cap
	153 36649	1	Push Rod Guide
	154 650913	2	Rocker Arm Stud
	155 35624A	2	Rocker Arm
	157 650914	2	Nut, 1/4-28
	158 36629	2	Push Rod
	159 35626	1	* Rocker Arm Cover Gasket
	160 36630A	1	Rocker Arm Cover
	161 651008	4	Screw, 1/4-20 x 31/64"
	173 36675	1	Breather Tube
	178 650852	2	Nut, 1/4-20
	182 650451	2	Screw, 1/4-20 x 1"
	184 26756	1	* Carburetor To Intake Pipe Gasket

Ref #	Part Number	Qty	Description
185	36631	1	Intake Pipe
207	36632	1	Throttle Link
223	650451	2	Screw, 1/4-20 x 1"
224	36581	1	* Intake Pipe Gasket
238	28820	2	Screw, 10-32 x 1/2"
239	27272A	1	* Air Cleaner Gasket
240	36633	1	Air Cleaner Body (Incl. 239)
245	36046	1	Air Cleaner Filter
250	36635	1	Air Cleaner Cover
251	650886	1	Wing Nut
252	650821	1	Screw, 10-32 x 1/2"
253	36701	1	Compression Release Weight
254	36702	1	Compression Release Spring
275	36722	1	Muffler
277	650988	2	Screw, 1/4-20 x 2-9/32"
311	27625	2	Oil Fill Plug
380	640025	1	Carburetor (Incl. 184)
416	36085	1	Spark Arrestor Kit (Incl. 417) (Optional)
417	650760	1	Screw, 8-32 x 3/8"
600	651013	1	Washer



Ref #	Part Number	Qty	Description
19	36750	1	Extension Spring
20	32600	1	Oil Seal
25A	36622	1	Air Baffle (Right)
25	36621	1	Air Baffle (Left)
26	30200	1	Screw, 10-24 x 9/16"
60	36623	1	Blower Housing Extension
65	30200	1	Screw, 10-24 x 9/16"
83	36057	1	Governor Spool
90	611205	1	Flywheel
92	650815	1	Belleville Washer
93	650816	1	Flywheel Nut
100	34443A	1	Solid State Ignition
101	610118	1	Spark Plug Cover
103	651007	2	Screw, Torx T-15, 10-24 x 15/16"
110	36054	1	Ground Wire
200	36747A	1	Control Bracket (Incl. 203, 204, 206 & 215)
203	31342	1	Compression Spring
204	651029	1	Screw, Torx T-15, 5-40 x 7/16"
206	610973	1	Terminal
209	650821	2	Screw, 10-32 x 1/2"
215	36638	1	Control Knob
260	36864	1	Blower Housing
261	651008	1	Screw, 1/4-20 x 31/64"
261A	650821	1	Screw, 10-32 x 1/2"
262	651008	2	Screw, 1/4-20 x 31/64"
285	35985B	1	Starter Cup
287	0	4	Rivet (Can be purchased locally)
290	30705	1	Fuel Line
292	26460	2	Fuel Line Clamp
300	36863	1	Fuel Tank
301	36754	1	Fuel Cap
313	34080	1	Spacer
325	29443	1	Wire Clip
341	36644	1	Fuel Tank Bracket
342	651010	2	Screw, 1/4-20 x 7/8"
370K	36695	1	Starter Decal
370B	33107	1	Speed Control Decal
370A	36261	1	Lubrication Decal
390	590736	1	Rewind Starter (NOTE: This engine could have been built with 590748 starter.)
400	36720	1	* Gasket Set (Incl. items marked PK in notes) Incl. (1) each of 26756, 27272A, 29673, 35626, 36581, 36624, 36719
420	730225	1	SAE 30 4-Cycle Engine Oil (Quart)