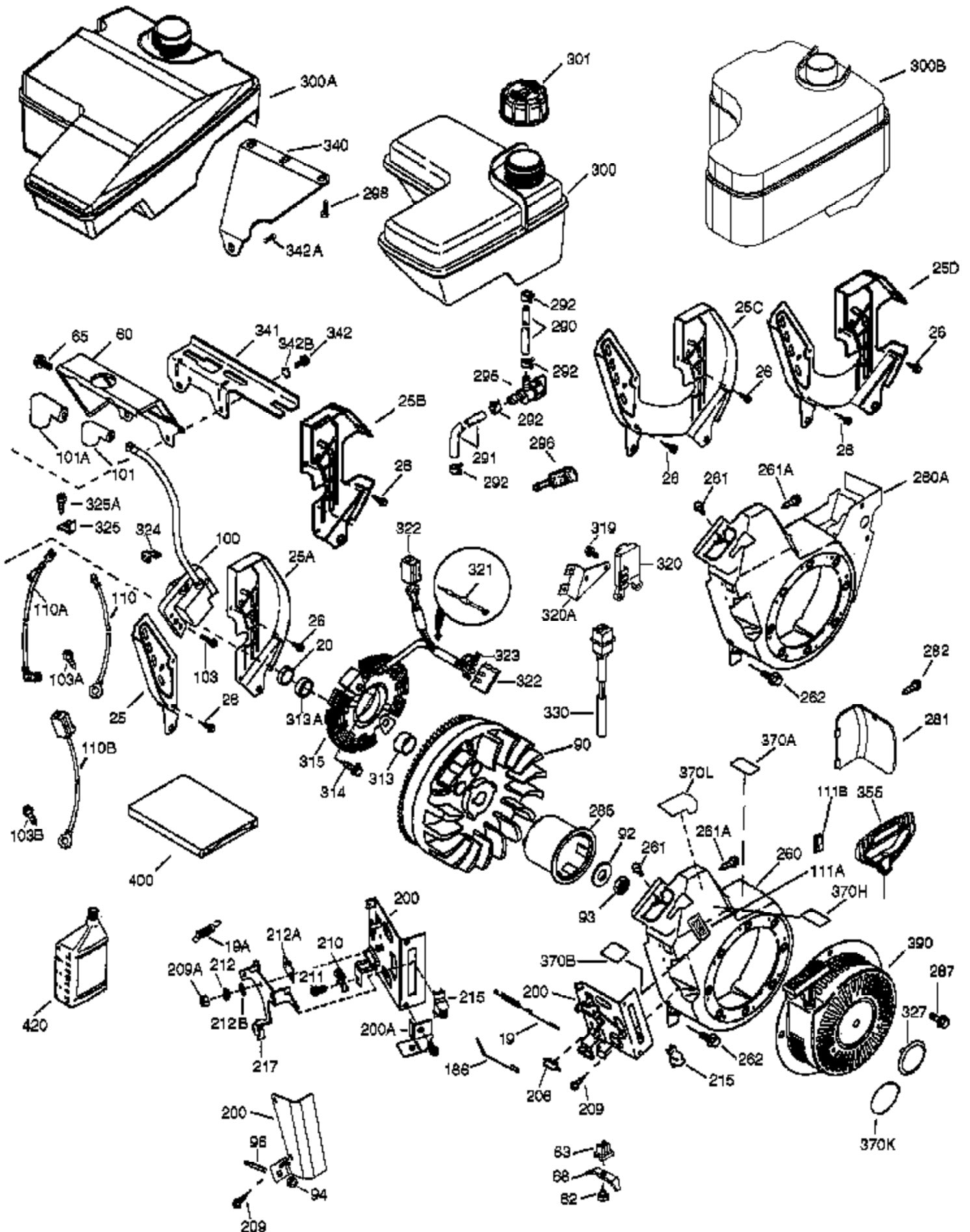




| Ref # | Part Number | Qty | Description |
|-------|-------------|-----|--|
| 1 | 37107B | 1 | Cylinder (Incl. 2, 20 & 72) |
| 2 | 26727 | 2 | Dowel Pin |
| 14 | 651052 | 1 | Washer |
| 15 | 37158 | 1 | Governor Rod |
| 16 | 37162 | 1 | Governor Lever |
| 27 | 36733 | 1 | Bearing Retainer |
| 30 | 36769 | 1 | Crankshaft |
| 35 | 651053 | 1 | Screw, T-25, 10-32 x 63/64" |
| 37 | 29216 | 1 | Lock Nut |
| 38 | 37109 | 1 | Retaining Ring |
| 40 | 35544A | 1 | Piston, Pin & Ring Set (Std.) |
| 40 | 35545A | 1 | Piston, Pin & Ring Set (.010" OS) |
| 40 | 35546 | 1 | Piston, Pin & Ring Set (.020" OS) |
| 41 | 35541 | 1 | Piston & Pin Ass'y (Std.) (Incl. 43) |
| 41 | 35542 | 1 | Piston & Pin Ass'y (.010" OS) (Incl. 43) |
| 41 | 35543 | 1 | Piston & Pin Ass'y (.020" OS) (Incl. 43) |
| 42 | 35547A | 1 | Ring Set (Std.) |
| 42 | 35548A | 1 | Ring Set (.010" OS) |
| 42 | 35549 | 1 | Ring Set (.020" OS) |
| 43 | 20381 | 2 | Piston Pin Retaining Ring |
| 45 | 32875A | 1 | Connecting Rod Ass'y (Incl. 46 & 49) |
| 46 | 32610A | 2 | Connecting Rod Bolt |
| 48 | 35616 | 2 | Valve Lifter |
| 49 | 36611 | 1 | Oil Dipper |
| 50 | 37040 | 1 | Camshaft (Incl. 253 & 254) |
| 64 | 651031 | 1 | Screw, 1/4-20 x 9/16" |
| 69 | 36624 | 1 | * Cylinder Cover Gasket |
| 70 | 37182 | 1 | Cylinder Cover (Incl. 75 thru 83) |
| 72 | 27642 | 1 | Oil Drain Plug |
| 75 | 36742 | 1 | Oil Seal |
| 80 | 37160 | 1 | Governor Shaft |
| 81 | 30590A | 1 | Washer |
| 82 | 37161 | 1 | Governor Gear Ass'y (Incl. 81) |
| 83 | 35322 | 1 | Governor Spool |
| 86 | 650488 | 8 | Screw, 1/4-20 x 1-1/4" |
| 89 | 610961 | 1 | Flywheel Key |
| 119 | 36738 | 1 | * Cylinder Head Gasket |
| 120 | 37455 | 1 | Cylinder Head |
| 125 | 36471 | 1 | Exhaust Valve (Std.) (Incl. 151) |
| 125 | 36472 | 1 | Exhaust Valve (1/32" OS) (Incl. 151) |
| 126 | 37711 | 1 | Intake Valve (Std.) (Incl. 151) |
| 130A | 650999 | 1 | Screw, 5/16-18 x 2-41/64" |
| 130 | 650912 | 4 | Screw, 5/16-18 x 1-1/2" |
| 135 | 34645 | 1 | Resistor Spark Plug (RN4C) |
| 150 | 37039 | 2 | Valve Spring |
| 151A | 40016A | 1 | Intake Valve Seal |
| 151 | 31673 | 2 | Valve Spring Cap |
| 153 | 36649 | 1 | Push Rod Guide |
| 154 | 650913 | 2 | Rocker Arm Stud |
| 155 | 35624A | 2 | Rocker Arm |
| 157 | 650914 | 2 | Nut, 1/4-28 |
| 158 | 36629 | 2 | Push Rod |
| 159 | 35626 | 1 | * Rocker Arm Cover Gasket |
| 160 | 36630B | 1 | Rocker Arm Cover |
| 161 | 651008 | 4 | Screw, 1/4-20 x 31/64" |
| 173 | 36675A | 1 | Breather Tube |
| 178 | 650852 | 2 | Nut, 1/4-20 |
| 182 | 650451 | 2 | Screw, 1/4-20 x 1" |

| Ref # | Part Number | Qty | Description |
|-------|-------------|-----|---|
| 184 | 26756 | 1 | * Carburetor To Intake Pipe Gasket |
| 185 | 36631 | 1 | Intake Pipe |
| 207 | 36632 | 1 | Throttle Link |
| 223 | 650451 | 2 | Screw, 1/4-20 x 1" |
| 224 | 36581 | 1 | * Intake Pipe Gasket |
| 238 | 28820 | 2 | Screw, 10-32 x 1/2" |
| 239 | 27272A | 1 | * Air Cleaner Gasket |
| 240 | 36633A | 1 | Air Cleaner Body (Incl. 239) |
| 245 | 36046 | 1 | Air Cleaner Filter |
| 250 | 37073 | 1 | Air Cleaner Cover |
| 250A | 37074 | 1 | Air Cleaner Baffle |
| 251 | 650886 | 1 | Wing Nut |
| 252 | 650821 | 1 | Screw, 10-32 x 1/2" |
| 253 | 36701 | 1 | Compression Release Weight |
| 254 | 36702 | 1 | Compression Release Spring |
| 275 | 37595 | 1 | Muffler |
| 277 | 650988 | 2 | Screw, 1/4-20 x 2-9/32" |
| 310 | 36678 | 1 | Dipstick |
| 380 | 640144 | 1 | Carburetor (Incl. 184) |
| 416 | 36085 | 1 | Spark Arrestor Kit (Incl. 417) (Optional) |
| 417 | 650760 | 1 | Screw, 8-32 x 3/8" |
| 600 | 651013 | 1 | Washer |



| Ref # | Part Number | Qty | Description |
|-------|-------------|-----|---|
| 19 | 37163 | 1 | Extension Spring |
| 20 | 32600 | 1 | Oil Seal |
| 25C | 37709 | 1 | Air Baffle |
| 26 | 30200 | 2 | Screw, 10-24 x 9/16" |
| 60 | 36623A | 1 | Blower Housing Extension |
| 65 | 30200 | 1 | Screw, 10-24 x 9/16" |
| 90 | 611205 | 1 | Flywheel |
| 92 | 650815 | 1 | Belleville Washer |
| 93 | 650816 | 1 | Flywheel Nut |
| 94 | 651016 | 1 | Lock Nut, 10-32 |
| 96 | 30845A | 1 | RPM Adjusting Bolt |
| 100 | 34443C | 1 | Solid State Ignition |
| 101 | 610118 | 1 | Spark Plug Cover |
| 103 | 651007 | 2 | Screw, T-15, 10-24 x 15/16" |
| 103A | 650767 | 1 | Screw, 8-32 x 27/64" |
| 110A | 36964 | 1 | Ground Wire |
| 110 | 35589 | 1 | Ground Wire |
| 111B | 611224 | 1 | Rocker Switch (On/Off) |
| 200 | 37123 | 1 | Control Bracket |
| 209 | 650821 | 2 | Screw, 10-32 x 1/2" |
| 260 | 36864 | 1 | Blower Housing |
| 261A | 650821 | 2 | Screw, 10-32 x 1/2" |
| 261 | 651008 | 1 | Screw, 1/4-20 x 31/64" |
| 262 | 651008 | 2 | Screw, 1/4-20 x 31/64" |
| 285 | 35985B | 1 | Starter Cup |
| 287 | 651008 | 4 | Screw, 1/4-20 X 31/64" |
| 290 | 30705 | 1 | Fuel Line |
| 298 | 650665 | 2 | Screw, 1/4-15 x 3/4" |
| 300 | 36863 | 1 | Fuel Tank (Incl. 292 & 301) |
| 301 | 36754 | 1 | Fuel Cap |
| 313 | 34080 | 1 | Spacer |
| 340 | 36876 | 1 | Fuel Tank Bracket (Upper) |
| 341 | 36644A | 1 | Fuel Tank Bracket (Lower) |
| 342B | 651086 | 2 | Rubber Washer |
| 342A | 650738 | 1 | Screw, 1/4-20 x 5/8" |
| 342 | 651085 | 2 | Screw, 1/4-20 x 19/32" |
| 370A | 36261 | 1 | Lubrication Decal |
| 370K | 36695 | 1 | Starter Decal |
| 390 | 590748 | 1 | Recoil Starter (NOTE: This engine could have been built with 590736 starter.) |
| 400 | 36716A | 1 | * Gasket Set (Incl. items marked PK in notes) |
| 420 | 730225A | 1 | SAE 30 4-Cycle Engine Oil (Quart) |