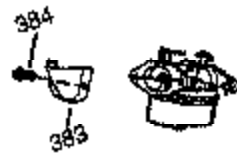
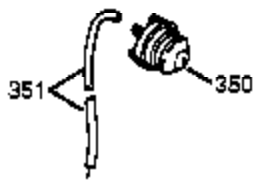
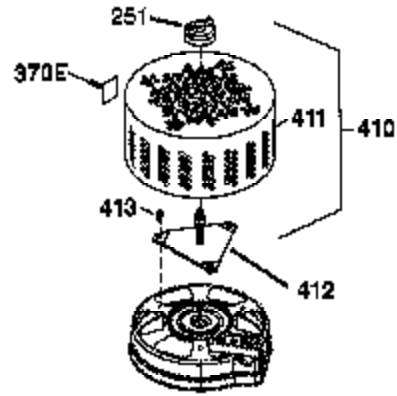
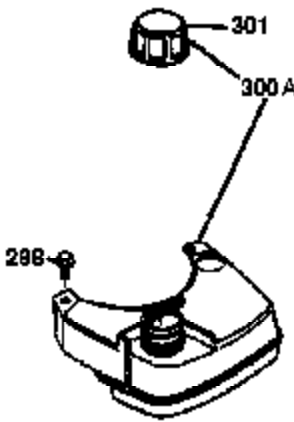
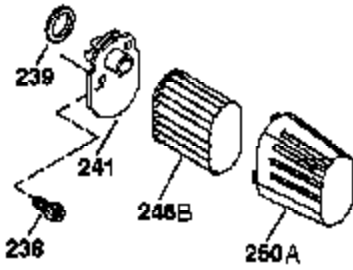
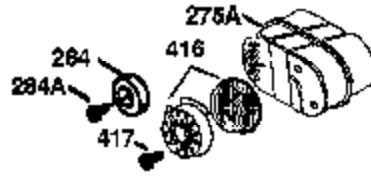
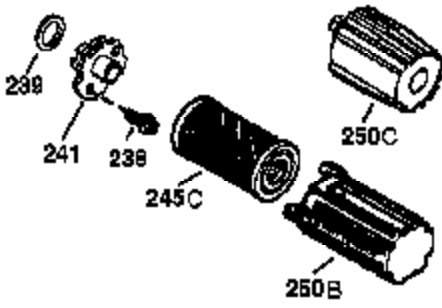


Ref #	Part Number	Qty	Description
	1 37791	1	Cylinder (Incl. 2 & 20)
	2 26727	2	Dowel Pin
	6 33734	1	Breather Element
	7 36557	1	Breather Ass'y. (Incl. 6 & 12A)
12B	36694	1	Breather Tube Elbow
12A	36558	1	Breather Cover & Tube
	12 37944	1	Breather Tube
	14 28277	1	Washer
	15 30589	1	Governor Rod (Incl. 14)
	16 34839A	1	Governor Lever
	17 31335	1	Governor Lever Clamp
	18 651018	1	Screw, T-15, 8-32 x 19/64"
	19 33578	1	Extension Spring
	20 32600	1	Oil Seal
	30 37856	1	Crankshaft
	40 40053	1	Piston, Pin & Ring Set (Std.)
	41 40051	1	Piston & Pin Ass'y. (Std.) (Incl. 43)
	42 40022	1	Ring Set (Std.)
	43 20381	2	Piston Pin Retaining Ring
	45 30963B	1	Connecting Rod Ass'y. (Incl. 46)
	46 32610A	2	Connecting Rod Bolt
	48 27241	2	Valve Lifter
	50 37575	1	Camshaft (NCR)(Incl. 104)
	52 29914	1	Oil Pump Ass'y.
	69 37797	1	* Mounting Flange Gasket
	70 37677	1	Mounting Flange (Incl. 72 thru 83,306 ,309A & 311A)
72A	28534	1	Oil Drain Plug
	72 37614	1	Oil Drain Plug
	75 28460	1	Oil Seal
	80 30574A	1	Governor Shaft
	81 30590A	1	Washer
	82 30591	1	Governor Gear Ass'y. (Incl. 81)
	83 30588A	1	Governor Spool
	86 650488	6	Screw, 1/4-20 x 1-1/4"
	89 611298	1	Flywheel Key
	90 611213	1	Flywheel
	92 650815	1	Belleville Washer
	93 650816	1	Flywheel Nut
100	34443C	1	Solid State Ignition
101	610118	1	Spark Plug Cover
103	651007	2	Screw, T-15, 10-24 x 15/16"
104	37480	1	Cam Bushing
110	37574	1	Ground Wire
119	37755	1	* Cylinder Head Gasket
120	37807	1	Cylinder Head
125	37806	1	Exhaust Valve (Std.) (Incl. 151)
126	37805	1	Intake Valve (Std.) (Incl. 151)
130	6021A	8	Screw, 5/16-18 x 1-1/2"
135	35395	1	Resistor Spark Plug (RJ19LM)
150	31672	2	Valve Spring
151	31673	2	Valve Spring Cap
151A	40016A	1	Intake Valve Seal
169	36783	1	* Valve Cover Gasket
172	36784	1	Valve Cover
174	30200	2	Screw, 10-24 x 9/16"
178	29752	2	Nut & Lock Washer, 1/4-28
179	30593	1	Retainer Clip
182	6201	2	Screw, 1/4-28 x 7/8"

Ref #	Part Number	Qty	Description
184	26756	1	* Carburetor To Intake Pipe Gasket
185	37794	1	Intake Pipe
186	32653	1	Governor Link
200	33205A	1	Control Bracket
207	34336A	1	Throttle Link
209	30200	2	Screw, 10-24 x 9/16"
216	33086	1	R.P.M. Adjusting Lever
223	650451	2	Screw, 1/4-20 x 1"
224	37793	1	* Intake Pipe Gasket
238	650932	2	Screw, 10-32 x 49/64"
239	34338	1	* Air Cleaner Gasket
245	35066	1	Air Cleaner Filter
260	36749	1	Blower Housing
261	30200	2	Screw, 10-24 x 9/16"
262	650831	2	Screw, 1/4-20 x 1/2"
275	37192A	1	Muffler
277	650988	2	Screw, 1/4-20 x 2-5/16"
279	650737	2	Screw, 1/4-20 x 1/2"
279A	650902	1	Screw, 10-32 x 7/16"
280	37790	1	Heat Shield
285	35287C	1	Starter Cup
287	650926	4	Screw, 8-32 x 21/64"
290	29774	1	Fuel Line
292	26460	2	Fuel Line Clamp
300	37947	1	Fuel Tank (Incl. 292 & 301)
301	37844	1	Fuel Cap
305	35647A	1	Oil Fill Tube (Incl. 306)
306	37610	1	"O" Ring
307	35499	1	"O" Ring
309A	650783	1	Screw, 10-24 x 3/4"
309	650562	1	Screw, 10-32 x 1/2"
310	35648	1	Dipstick
311A	37611	1	Hold Down Bracket
313	34080	1	Spacer
325	37152	1	Wire Clip
370K	36695	1	Starter Decal
370C	37318	1	Primer Decal (3X)
370F	33183	1	Stop Decal
380	640339	1	Carburetor (Incl. 184)
390	590666	1	Rewind Starter
400	37864	1	* Gasket Set (Incl. items marked PK i n notes)
420	730225A	1	SAE 30 4-Cycle Engine Oil (Quart)



Ref #	Part Number	Qty	Description
238	650932	2	Screw, 10-32 x 49/64"
239	34338	1	* Air Cleaner Gasket
241	35797	1	Air Cleaner Collar
250C	35986	1	Air Cleaner Cover
275A	36838A	1	Spark Arrestor Muffler (Optional) (Incl. 284,284A,416 & 417)
284	36663	1	Muffler Deflector (Incl. 284A)(Optional)
284A	650821	1	Screw, 10-32 x 1/2" (Optional)
301	37844	1	Fuel Cap
325	37152	1	Wire Clip