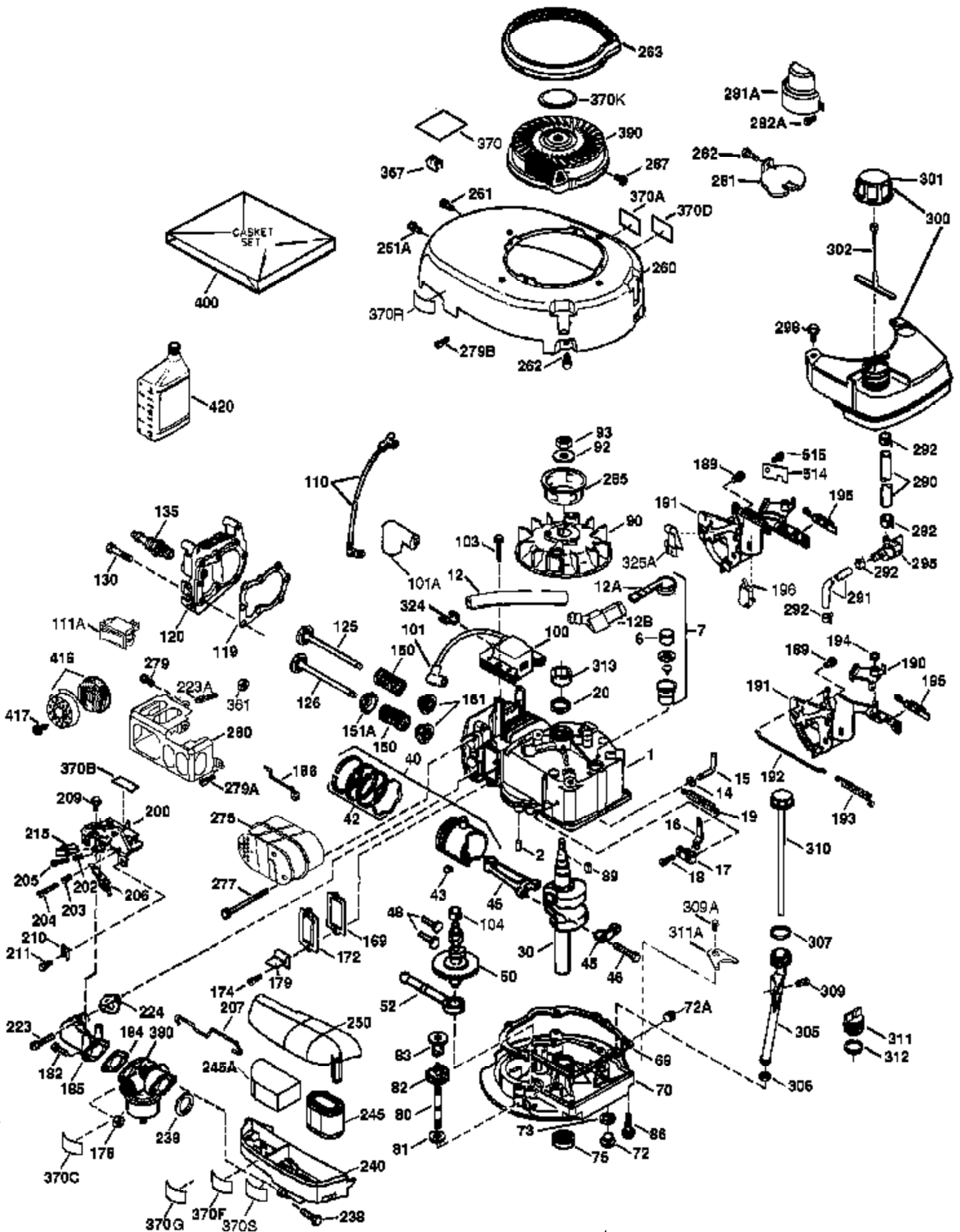


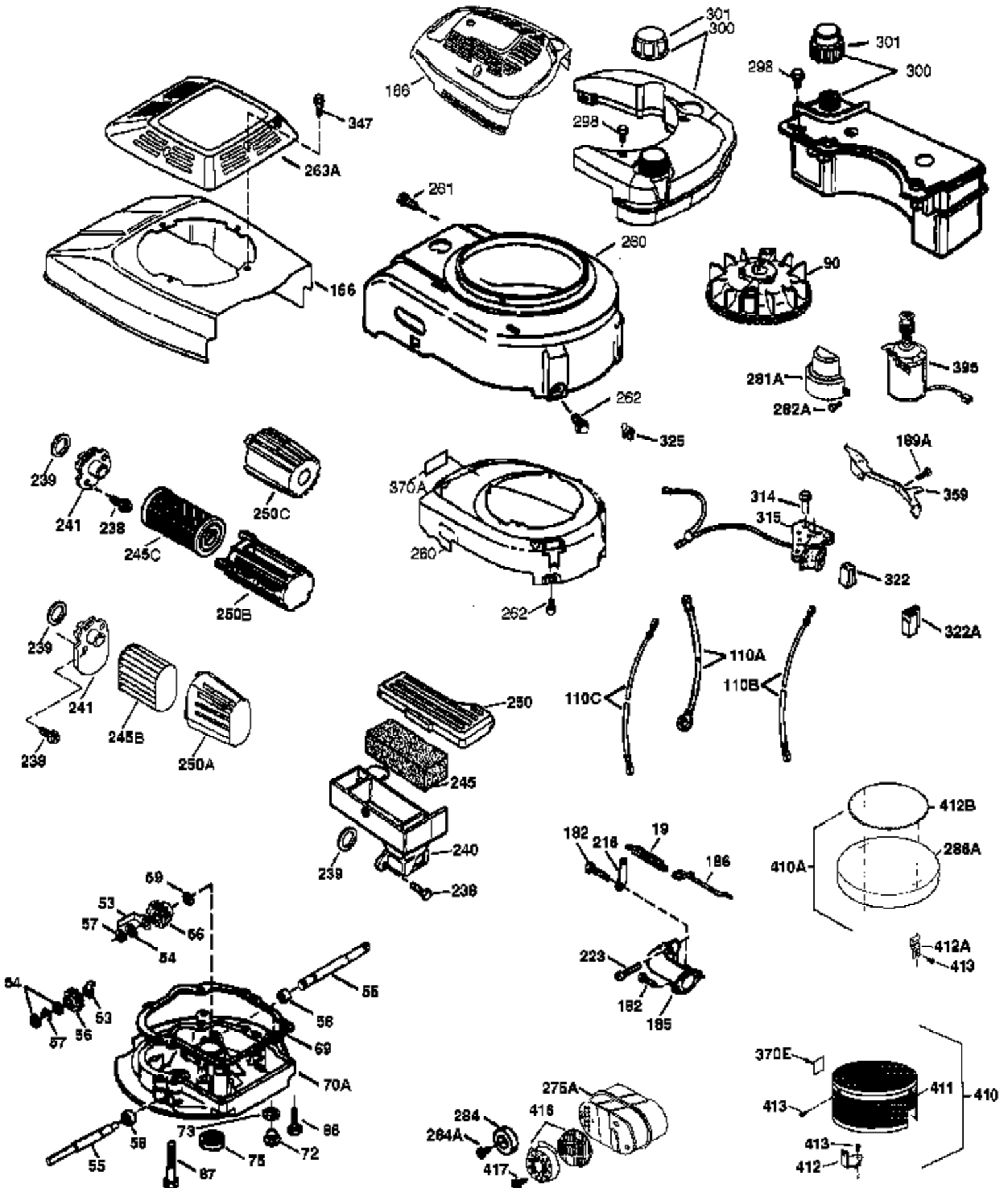
Engine Parts List #1



Engine Parts List #1

Ref #	Part Number	Qty	Description
	1 37266	1	Cylinder (Incl. 2,20 & 150)
	2 26727	2	Dowel Pin
	6 33734	1	Breather Element
	7 36557	1	Breather Ass'y. (Incl. 6 & 12A)
12A	36558	1	Breather Cover & Tube
	14 28277	1	Washer
	15 31513	1	Governor Rod (Incl. 14)
	16 34839A	1	Governor Lever
	17 31335	1	Governor Lever Clamp
	18 651018	1	Screw, Torx T-15, 8-32 x 19/64"
	19 36281	1	Extension Spring
	20 32600	1	Oil Seal
	30 37181	1	Crankshaft
	40 40004	1	Piston, Pin & Ring Set (Std.)
	40 40005	1	Piston, Pin & Ring Set (.010" OS)
	41 36070	1	Piston & Pin Ass'y. (Std.) (Incl. 43)
	41 36071	1	Piston & Pin Ass'y. (.010" OS) (Incl. 43)
	42 40006	1	Ring Set (Std.)
	42 40007	1	Ring Set (.010" OS)
	43 20381	2	Piston Pin Retaining Ring
	45 36777	1	Connecting Rod Ass'y. (Incl. 46)
	46 32610A	2	Connecting Rod Bolt
	48 27241	2	Valve Lifter
	50 36984	1	Camshaft (MCR)
	52 29914	1	Oil Pump Ass'y.
	69 35261	1	* Mounting Flange Gasket
	70 36985A	1	Mounting Flange (Incl. 58,72 thru 83, 306)
	72 36083	1	Oil Drain Plug
	75 26208	1	Oil Seal
	80 30574A	1	Governor Shaft
	81 30590A	1	Washer
	82 30591	1	Governor Gear Ass'y. (Incl. 81)
	83 30588A	1	Governor Spool
	86 650488	5	Screw, 1/4-20 x 1-1/4"
	89 611004	1	Flywheel Key
	90 611112	1	Flywheel
	92 650815	1	Belleville Washer
	93 650816	1	Flywheel Nut
	100 34443B	1	Solid State Ignition
	101 610118	1	Spark Plug Cover
	103 651007	2	Screw, Torx T-15, 10-24 x 15/16"
	110 37047	1	Ground Wire
	119 36787	1	* Cylinder Head Gasket
	120 36825	1	Cylinder Head
	125 37288	1	Exhaust Valve (Std.) (Incl. 151)
	126 37289	1	Intake Valve (Std.) (Incl. 151)
	130 6021A	8	Screw, 5/16-18 x 1-1/2"
	135 35395	1	Resistor Spark Plug (RJ19LM)
	150 31672	2	Valve Spring
151A	40017	1	Intake Valve Seal
	151 31673	2	Valve Spring Cap
	169 36783	1	* Valve Cover Gasket
	172 36784	1	Valve Cover
	174 30200	2	Screw, 10-24 x 9/16"
	178 29752	2	Nut & Lock Washer, 1/4-28
	182 6201	2	Screw, 1/4-28 x 7/8"
	184 26756	1	* Carburetor To Intake Pipe Gasket
	185 36785	1	Intake Pipe

Ref #	Part Number	Qty	Description
186	32653	1	Governor Link
189	650839	1	Screw, 1/4-20 x 3/8"
191	36559A	1	S.E. Brake Bracket (Incl. 195)
195	610973	1	Terminal
207	34336	1	Throttle Link
223	650451	2	Screw, 1/4-20 x 1"
224	36786	1	* Intake Pipe Gasket
238	650806	2	Screw, 10-32 x 5/8"
239	34338	1	* Air Cleaner Gasket
240	37115	1	Air Cleaner Body (Incl. 239)
245	37116	1	Air Cleaner Filter
245A	37117	1	Air Cleaner Filter
250	37118	1	Air Cleaner Cover
260	37151	1	Blower Housing
261	30200	2	Screw, 10-24 x 9/16"
262	650831	2	Screw, 1/4-20 x 1/2"
263	36214	1	Trim Ring
275	36986	1	Muffler
277	650988	2	Screw, 1/4-20 x 2-5/16"
285	35000A	1	Starter Cup
287	650926	2	Screw, 8-32 x 21/64"
290	34357	1	Fuel Line
292	26460	2	Fuel Line Clamp
300	35586	1	Fuel Tank (Incl. 292 & 301)
301	36246	1	Fuel Cap
305	35577	1	Oil Fill Tube
306	36996	1	* "O"-Ring
307	35499	1	"O"-Ring
309	650562	1	Screw, 10-32 x 1/2"
310	35578	1	Dipstick
313	34080	1	Spacer
370A	36261	1	Lubrication Decal
370C	37199	1	Primer Decal
370K	36695	1	Starter Decal
380	640132	1	Carburetor (Incl. 184)
390	590737	1	Rewind Starter (NOTE: This engine could have been built with 590694 starter).
400	36792B	1	* Gasket Set (Incl. items marked PK in notes). Incl. Part #s 26756 (1), 28833 (1), 34338 (1), 36783 (1), 36786 (1), 36787 (1), 36832 (1), 36996 (1), 37130 (1).
416	36085	1	Spark Arrestor Kit (Incl. 417)(Optional)
417	650821	1	Screw, 10-32 x 1/2" (Optional)
420	730225	1	SAE 30 4-Cycle Engine Oil (Quart)



Ref #	Part Number	Qty	Description
19	36281	1	Extension Spring
41	36070	1	Piston & Pin Ass'y. (Std.) (Incl. 43)
41	36071	1	Piston & Pin Ass'y. (.010" OS) (Incl. 43)
53	31745	1	Tang Washer
54	31747	1	Washer
55	35218A	1	P.T.O. Shaft
56	33401	1	R.H. Worm Gear
57	33537	1	Retaining Ring
58	31744	1	Oil Seal
69	35261	1	* Mounting Flange Gasket
72	36083	1	Oil Drain Plug
75	26208	1	Oil Seal
86	650488	5	Screw, 1/4-20 x 1-1/4"
87	650492	1	Screw, 1/4-20 x 2-1/4"
90	611112	1	Flywheel
182	6201	2	Screw, 1/4-28 x 7/8"
185	36785	1	Intake Pipe
186	32653	1	Governor Link
216	33086	1	R.P.M. Adjusting Lever
223	650451	2	Screw, 1/4-20 x 1"
238	650806	2	Screw, 10-32 x 5/8"
239	34338	1	* Air Cleaner Gasket
240	37115	1	Air Cleaner Body (Incl. 239)
245	37116	1	Air Cleaner Filter
250	37118	1	Air Cleaner Cover
260	37151	1	Blower Housing
261	30200	2	Screw, 10-24 x 9/16"
262	650831	2	Screw, 1/4-20 x 1/2"
275A	36838	1	Spark Arrestor Muffler (Optional) (NOTE: This muffler used together with Ref#'s 284,284A,416 & 417 make up an optional spark arrestor muffler).
284A	650821	1	Screw, 10-32 x 1/2" (Optional)
284	36663	1	Muffler Deflector (Incl. 284A)(Optional)
300	35586	1	Fuel Tank (Incl. 292 & 301)
301	36246	1	Fuel Cap
370A	36261	1	Lubrication Decal
416	36085	1	Spark Arrestor Kit (Incl. 417)(Optional)
417	650821	1	Screw, 10-32 x 1/2" (Optional)