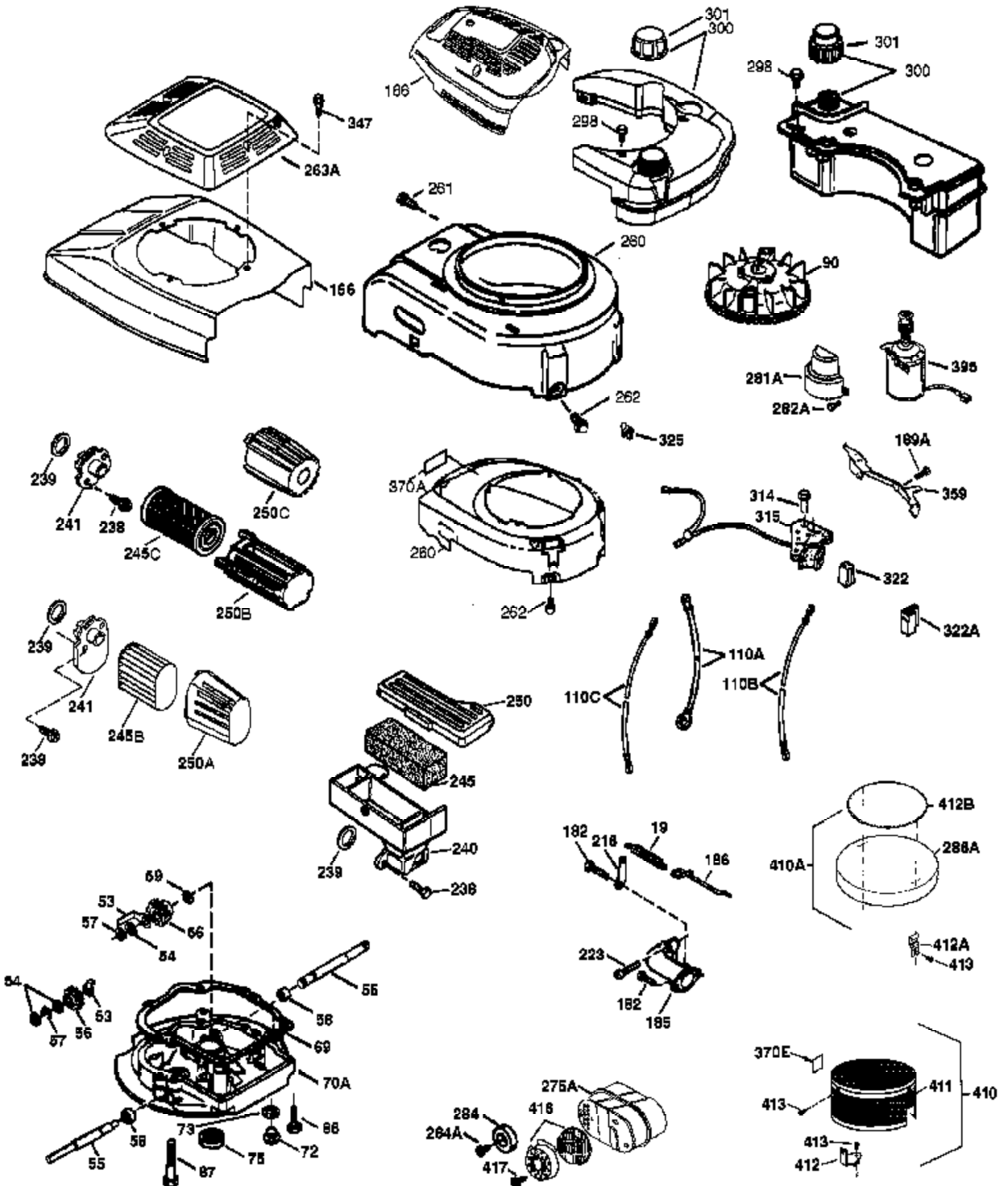


## Engine Parts List #1

| Ref # | Part Number | Qty | Description                               |
|-------|-------------|-----|---|
|       | 1 37280     | 1   | Cylinder (Incl. 2, 20 & 150)              |
|       | 2 26727     | 2   | Dowel Pin                                 |
|       | 6 33734     | 1   | Breather Element                          |
|       | 7 36557     | 1   | Breather Ass'y. (Incl. 6 & 12A)           |
| 12A   | 36558       | 1   | Breather Cover & Tube                     |
|       | 14 28277    | 1   | Washer                                    |
|       | 15 30589    | 1   | Governor Rod (Incl. 14)                   |
|       | 16 34839A   | 1   | Governor Lever                            |
|       | 17 31335    | 1   | Governor Lever Clamp                      |
|       | 18 651018   | 1   | Screw, T-15, 8-32 x 19/64"                |
|       | 19 36281    | 1   | Extension Spring                          |
|       | 20 32600    | 1   | Oil Seal                                  |
|       | 30 36797    | 1   | Crankshaft                                |
|       | 40 35544A   | 1   | Piston, Pin & Ring Set (Std.)             |
|       | 40 35545A   | 1   | Piston, Pin & Ring Set (.010" OS)         |
|       | 40 35546    | 1   | Piston, Pin & Ring Set (.020" OS)         |
|       | 41 35541    | 1   | Piston & Pin Ass'y. (Std.) (Incl. 43)     |
|       | 41 35542    | 1   | Piston & Pin Ass'y. (.010" OS) (Incl. 43) |
|       | 41 35543    | 1   | Piston & Pin Ass'y. (.020" OS) (Incl. 43) |
|       | 42 35547A   | 1   | Ring Set (Std.)                           |
|       | 42 35548A   | 1   | Ring Set (.010" OS)                       |
|       | 42 35549    | 1   | Ring Set (.020" OS)                       |
|       | 43 20381    | 2   | Piston Pin Retaining Ring                 |
|       | 45 36777    | 1   | Connecting Rod Ass'y. (Incl. 46)          |
|       | 46 32610A   | 2   | Connecting Rod Bolt                       |
|       | 48 27241    | 2   | Valve Lifter                              |
|       | 50 37575    | 1   | Camshaft (NCR) (Incl. 104)                |
|       | 52 29914    | 1   | Oil Pump Ass'y.                           |
|       | 69 37609    | 1   | * Mounting Flange Gasket                  |
|       | 70 37608    | 1   | Mounting Flange (Incl. 72 thru 83,306 )   |
|       | 72 36083    | 1   | Oil Drain Plug                            |
|       | 75 27897    | 1   | Oil Seal                                  |
|       | 80 30574A   | 1   | Governor Shaft                            |
|       | 81 30590A   | 1   | Washer                                    |
|       | 82 30591    | 1   | Governor Gear Ass'y. (Incl. 81)           |
|       | 83 30588A   | 1   | Governor Spool                            |
|       | 86 650488   | 6   | Screw, 1/4-20 x 1-1/4"                    |
|       | 89 611004   | 1   | Flywheel Key                              |
|       | 90 611112   | 1   | Flywheel                                  |
|       | 92 650815   | 1   | Belleville Washer                         |
|       | 93 650816   | 1   | Flywheel Nut                              |
|       | 100 34443C  | 1   | Solid State Ignition                      |
|       | 101 610118  | 1   | Spark Plug Cover                          |
|       | 103 651007  | 2   | Screw, T-15, 10-24 x 15/16"               |
|       | 104 37480   | 1   | Cam Bushing                               |
|       | 110 37047   | 1   | Ground Wire                               |
|       | 119 37028   | 1   | * Cylinder Head Gasket                    |
|       | 120 36825   | 1   | Cylinder Head                             |
|       | 125 37288   | 1   | Exhaust Valve (Std.) (Incl. 151)          |
|       | 126 37289   | 1   | Intake Valve (Std.) (Incl. 151 & 151A)    |
|       | 130 6021A   | 8   | Screw, 5/16-18 x 1-7/16"                  |
|       | 135 35395   | 1   | Resistor Spark Plug (RJ19LM)              |
|       | 150 31672   | 2   | Valve Spring                              |
|       | 151 31673   | 2   | Valve Spring Cap                          |
| 151A  | 40017       | 1   | Intake Valve Seal                         |
|       | 169 36783   | 1   | * Valve Cover Gasket                      |
|       | 172 36784   | 1   | Valve Cover                               |
|       | 174 30200   | 2   | Screw, 10-24 x 9/16"                      |

| Ref # | Part Number | Qty | Description   |
|-------|-------------|-----|---|
| 178   | 29752       | 2   | Nut & Lock Washer, 1/4-28   |
| 182   | 6201        | 2   | Screw, 1/4-28 x 7/8"  |
| 184   | 26756       | 1   | * Carburetor To Intake Pipe Gasket  |
| 185   | 36785       | 1   | Intake Pipe   |
| 186   | 32653       | 1   | Governor link   |
| 189   | 650839      | 2   | Screw, 1/4-20 x 27/64"  |
| 191   | 36559A      | 1   | S.E. Brake Bracket (Incl. 195)  |
| 195   | 610973      | 1   | Terminal  |
| 207   | 34336       | 1   | Throttle Link   |
| 223   | 650451      | 2   | Screw, 1/4-20 x 1"  |
| 224   | 36786       | 1   | * Intake Pipe Gasket  |
| 238   | 650806      | 2   | Screw, 10-32 x 5/8"   |
| 239   | 34338       | 1   | * Air Cleaner Gasket  |
| 240   | 34858       | 1   | Air Cleaner Body  |
| 245   | 34340       | 1   | Air Cleaner Filter  |
| 250   | 36213       | 1   | Air Cleaner Cover   |
| 260   | 37008       | 1   | Blower Housing  |
| 261   | 30200       | 2   | Screw, 10-24 x 9/16"  |
| 262   | 650831      | 2   | Screw, 1/4-20 x 1/2"  |
| 275   | 36837A      | 1   | Muffler   |
| 277   | 650988      | 2   | Screw, 1/4-20 x 2-9/32"   |
| 285   | 35000A      | 1   | Starter Cup   |
| 287   | 650926      | 2   | Screw, 8-32 x 21/64"  |
| 290   | 34357       | 1   | Fuel Line   |
| 292   | 26460       | 2   | Fuel Line Clamp   |
| 300   | 35586       | 1   | Fuel Tank (Incl. 292 & 301)   |
| 301   | 36246       | 1   | Fuel Cap (Black)  |
| 305   | 35498       | 1   | Oil Fill Tube   |
| 306   | 37610       | 1   | * "O"-Ring  |
| 307   | 35499       | 1   | "O"-Ring  |
| 309   | 650562      | 1   | Screw, 10-32 x 1/2"   |
| 310   | 35611       | 1   | Dipstick  |
| 313   | 34080       | 1   | Spacer  |
| 370K  | 36695       | 1   | Starter Decal   |
| 370C  | 37318       | 1   | Primer Decal (3X)   |
| 370D  | 36534       | 1   | Caution Decal   |
| 380   | 640288      | 1   | Carburetor (Incl. 184)  |
| 390   | 590737      | 1   | Rewind Starter (NOTE: This engine could have been built with 590694 starter.) |
| 400   | 37029A      | 1   | * Gasket Set (Incl. items marked PK in notes)                                 |
| 416   | 36085       |     | Spark Arrestor Kit (Incl. 417)(Optional)                                      |
| 416A  | 36838A      |     | Spark Arrestor Kit (Optional)   |
| 417   | 650821      | 1   | Screw, 10-32 x 1/2" (Optional)  |
| 420   | 730225A     | 1   | SAE 30 4-Cycle Engine Oil (Quart)   |



## Engine Parts List #2

| Ref # | Part Number | Qty | Description                               |
|-------|-------------|-----|---|
| 19    | 36281       | 1   | Extension Spring                          |
| 41    | 35541       | 1   | Piston & Pin Ass'y. (Std.) (Incl. 43)     |
| 41    | 35542       | 1   | Piston & Pin Ass'y. (.010" OS) (Incl. 43) |
| 41    | 35543       | 1   | Piston & Pin Ass'y. (.020" OS) (Incl. 43) |
| 69    | 37609       | 1   | * Mounting Flange Gasket                  |
| 72    | 36083       | 1   | Oil Drain Plug                            |
| 75    | 27897       | 1   | Oil Seal                                  |
| 86    | 650488      | 6   | Screw, 1/4-20 x 1-1/4"                    |
| 90    | 611112      | 1   | Flywheel                                  |
| 182   | 6201        | 2   | Screw, 1/4-28 x 7/8"                      |
| 185   | 36785       | 1   | Intake Pipe                               |
| 186   | 32653       | 1   | Governor link                             |
| 216   | 33086       | 1   | Speed Adjustment Lever                    |
| 223   | 650451      | 2   | Screw, 1/4-20 x 1"                        |
| 238   | 650806      | 2   | Screw, 10-32 x 5/8"                       |
| 239   | 34338       | 1   | * Air Cleaner Gasket                      |
| 240   | 34858       | 1   | Air Cleaner Body                          |
| 245   | 34340       | 1   | Air Cleaner Filter                        |
| 250   | 36213       | 1   | Air Cleaner Cover                         |
| 260   | 37008       | 1   | Blower Housing                            |
| 261   | 30200       | 2   | Screw, 10-24 x 9/16"                      |
| 262   | 650831      | 2   | Screw, 1/4-20 x 1/2"                      |
| 263A  | 37036       | 1   | Starter Cover Grille                      |
| 300   | 35586       | 1   | Fuel Tank (Incl. 292 & 301)               |
| 301   | 36246       | 1   | Fuel Cap (Black)                          |
| 416   | 36085       | 1   | Spark Arrestor Kit (Incl. 417)(Optional)  |
| 416A  | 36838A      | 1   | Spark Arrestor Kit (Optional)             |
| 417   | 650821      | 1   | Screw, 10-32 x 1/2" (Optional)            |