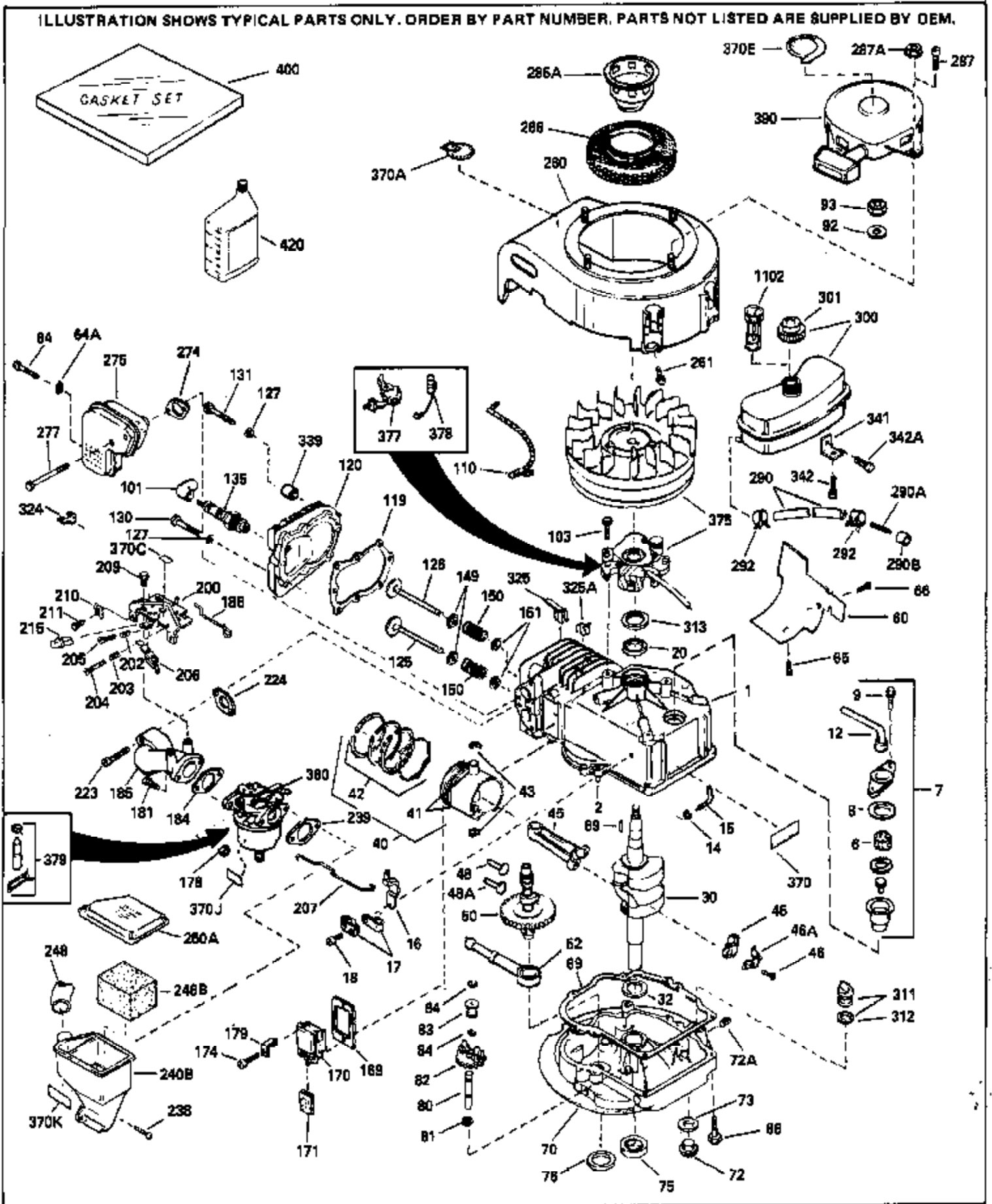


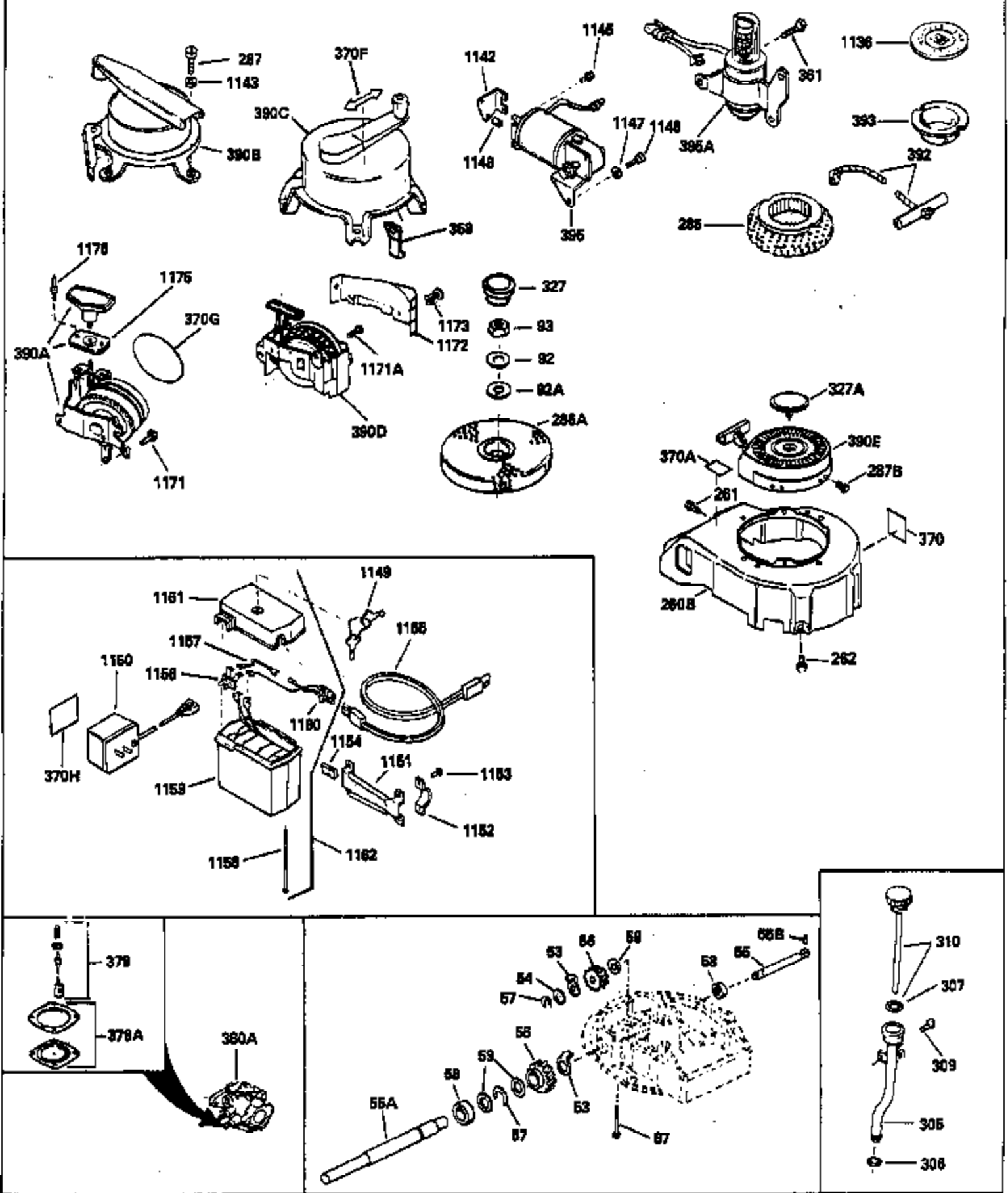
ILLUSTRATION SHOWS TYPICAL PARTS ONLY. ORDER BY PART NUMBER. PARTS NOT LISTED ARE SUPPLIED BY OEM.



Ref #	Part Number	Qty	Description
1	34429A		Cylinder (Incl. 2 & 20) (2-5/8" Bore)
2	26727		Pin, Dowel
14	28277		Washer, Flat
15	30589		Rod, Governor (Incl. 14)
16	32651		Lever, Governor
17	31335		Clamp, Governor lever (Clamp is positioned towardspark plug end on 1977-78 and latermodels. It is positioned opposite spark plugend on earlier models.)
18	650548		Screw, 8-32 x 5/16"
19	31361		Spring, Governor
20	32600		Seal, Oil
30	32881B		Crankshaft
32	32323		Washer, Thrust
40	34851		Piston, Pin & Ring Set (Std.) (2-5/8" Bore)
40	34852		Piston, Pin & Ring Set (.010" OS)
40	34853		Piston, Pin & Ring Set (.020" OS)
41	32603B		Piston & Pin Ass'y.(Std.)(Incl. 43)(2 -5/8")
41	32604B		Piston & Pin Ass'y. (.010" OS) (Incl. 43)
41	32605B		Piston & Pin Ass'y. (.020" OS) (Incl. 43)
42	34854		Ring Set (Std.) (2-5/8" Bore)
42	34855		Ring Set (.010" OS)
42	34856		Ring Set (.020" OS)
43	20381		Ring, Piston pin retaining
45	32875		Rod Assy., Connecting (Incl. 18)
46A	32609		Plate, Lock (Do not use with 32610A locking type screw)
46	32610		Connecting Rod Bolt (Early Production )
46	32610A		Bolt, Connecting rod
48A	27241		Lifter, Intake valve
48	27241		Lifter, Exhaust valve
50	33553		Camshaft (MCR)
52	29914		Pump Assy., Oil
60	29745		Extension, Blower housing
66	30063		Screw, Torx T-30, 1/4-20 x 1/2"
69	35261		* Gasket, Mounting flange
70	34311C		Mounting Flange Ass'y. (Incl. 72, 75 & 80)
72	30572		Plug, Oil drain (Incl. 73)
72A	9556		Oil Drain Plug (Use as required)
73	28833		* Drain Plug Gasket (Do not use w/plastic plug)
75	27897		Seal, Oil
80	30574		Shaft, Mechanical governor
81	30590A		Washer, Flat
82	30591		Gear Assy., Governor (Incl. 81)
83	30588A		Spool, Governor
84	29193		Ring, Retaining
86	650488		Screw, 1/4-20 x 1-1/4"
89	610951		Key, Flywheel
90	610963		Flywheel (W/Ring Gear)
92	650815		Washer, Belleville
93	650607		Nut, Flywheel
100	610946A		Stator Ass'y. (Incl. 103 & 110)
101	27276		Cover, Spark plug
103	650167		Screw, 1/4-20 x 1/2"
110	35349		Ground Wire
119	33015A		* Gasket, Cylinder head
120	34342		Head, Cylinder
125	29313C		Exhaust Valve (STD)(Incl. 151) (Conventional Ports)
125	29315C		Exhaust Valve (1/32" OS)(Incl. 151) (Conventional Ports)

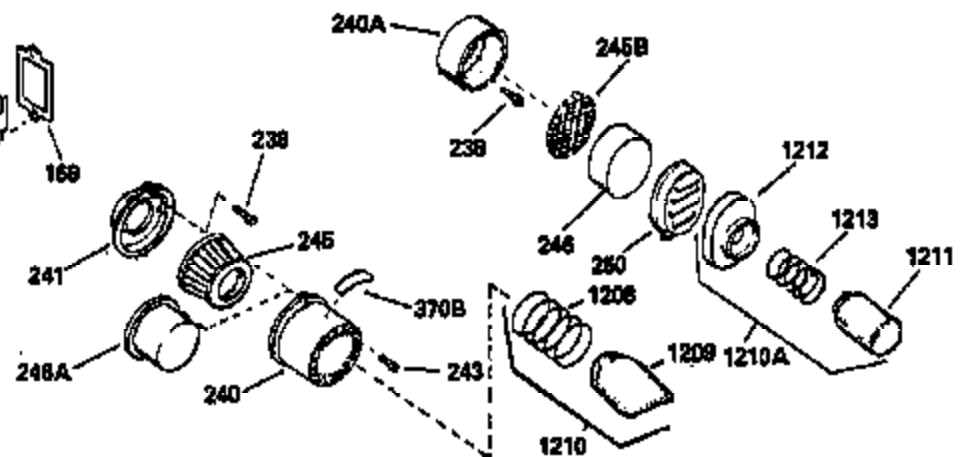
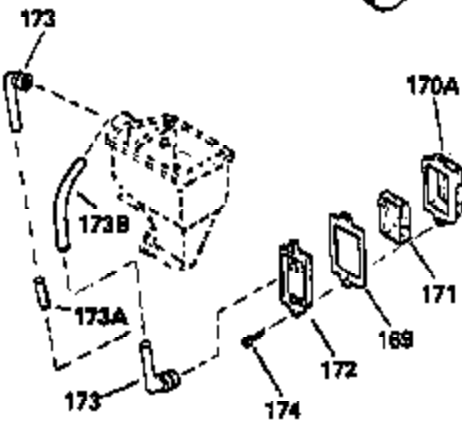
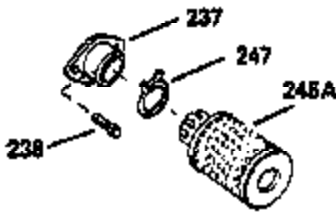
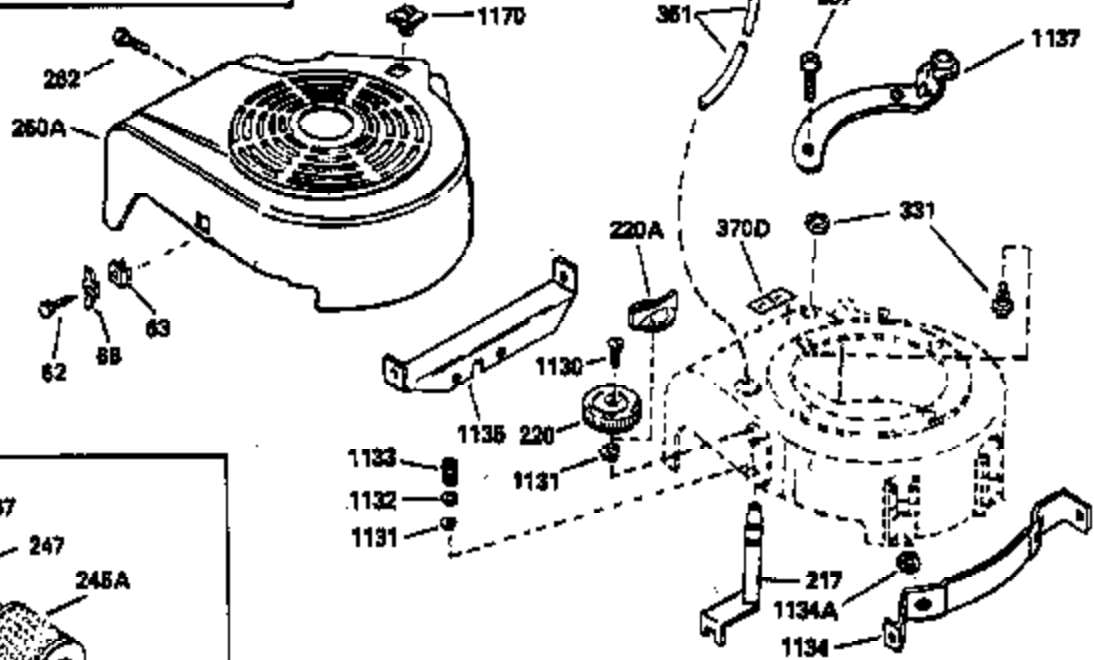
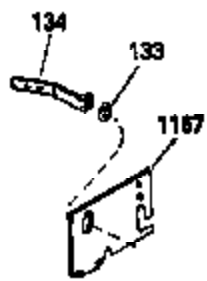
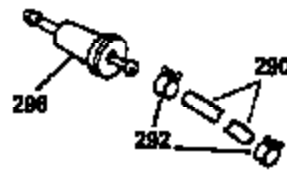
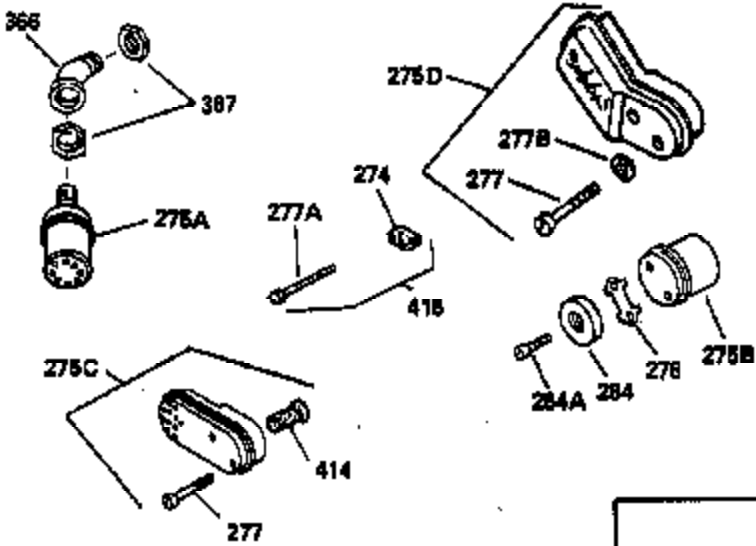
Ref #	Part Number	Qty	Description
126	29314B		Intake Valve (STD)(Incl. 151) (Conventional Ports)
126	29315C		Intake Valve (1/32" OS)(Incl. 151) (Conventional Ports)
127	26073		Washer (Not used in late production)
127	650691		Washer (Used on late production)
130	6021A		Screw, 5/16-18 x 1-1/2" (Use as required)
130	650818		Screw, 5/16-18 x 1-1/2" (Use as required)
131	650694A		Screw, 5/16-18 x 2" (Use as required)
131	650697A		Screw, 5/16-18 x 2-1/2" (Use as required)
135	33636		Spark Plug (J-8C)
149	31671		Valve Spring Cap) (Used in early production)
150	31672		Spring, Valve
151	31673		Cap, Lower valve spring
169	31619A		* Gasket, Valve spring cover
170	31337A		Body Assy., Breather (Incl. 169 & 171 )
171	31410		Element, Breather
174	650128		Screw, 10-24 x 1/2"
178	29752		Nut & Lockwasher, 1/4-28
181	6201		Screw, 1/4-28 x 7/8"
182	6201		Screw, 1/4-28 x 7/8"
184	26756		* Gasket, Carburetor
185	33004A		Pipe, Intake (Incl. 224)
186	32653		Link, Governor spring
200	34388		Control Bracket (Incl. 206)
207	34336		Link, Governor-to-throttle
210	27793		Clip, Conduit
211	28942		Screw, 10-32 x 3/8"
216	33086		Lever, Speed adjustment
223	650451		Screw, 1/4-20 x 1"
224	32649A		* Gasket, Intake
238	28820		Screw, 10-32 x 1/2"
239	27272A		* Gasket, Air cleaner
261	650561		Screw, 1/4 20 x 5/8"
277	30063		Screw, Torx T-30, 1/4-20 x 1/2" (Use as req.)
287A	29752		Nut & Lockwasher, 1/4-28 (Use as required)
287			Pop Rivet (Purchase locally) (3/16" dia.)
287	29716		Screw, 1/4-28 x 7/16" (Use as required)
287	30513		Screw & Lockwasher, 1/4-28 x 1/2"
290	29774		Fuel Line(Braided 8-1/4")(21 cm)(Use as req.)
290	34357		Fuel Line (Epichlorohydrin 6-3/4") (17 cm)
290	30705		Fuel Line (Braided 16")(40 cm)(Use as req.)
292	26460		Fuel Line Clamp (Use as required)
301	410144B		Fuel Cap (Std.) (Use as required)
301	33032		Fuel Cap (Use as required)
301	34210		Fuel Cap (use as required)
305	34264		Oil Fill Tube
313A	34080		Spacer, Key
325A	27275		Clip, Hi-tension wire (Use as required)
325A	34246		Clip, Ground wire
370	34346		Decal, Instruction
379	631021		Inlet Needle, Seat & Clip Assy.
380	632081		Carburetor (Incl. 184) (Refer to Division 5, Section A, page 168 or Fiche 6, Grid F-9 for breakdown)
400	33238D		* Gasket Set (Incl. items marked *)
420	730225		SAE 30 4-Cycle Engine Oil (Quart)

ILLUSTRATION SHOWS TYPICAL PARTS ONLY. ORDER BY PART NUMBER. PARTS NOT LISTED ARE SUPPLIED BY OEM.



Ref #	Part Number	Qty	Description
19	31361		Spring, Governor
32	32323		Washer, Thrust
90	610963		Flywheel (W/Ring Gear)
92	650815		Washer, Belleville
92A	650791		Washer, Flat
93	650607		Nut, Flywheel
100	610946A		Stator Assy. (Incl. 103 & 110)
182	6201		Screw, 1/4-28 x 7/8"
216	33086		Lever, Speed adjustment
261	650561		Screw, 1/4 20 x 5/8"
262	30200		Screw, 10-24 x 9/16"
287			Pop Rivet (Purchase locally) (3/16" d ia.)
287	29716		Screw, 1/4-28 x 7/16" (Use as require d)
287	30513		Screw & Lockwasher, 1/4-28 x 1/2"
305	34264		Oil Fill Tube
306	34265		Gasket, Oil fill tube
306	34282		"O" Ring (This "O" ring is required with metal fill tube only when replacement mounting flange with .777 dia. oil fill hole has been used.)
307	33590		"O" Ring
309	650562		Screw, 10-32 x 1/2"
310	34267		Dipstick (Incl. 307)
313A	34080		Spacer, Key
327	34113		Plug, Screen
358	34389A		Bracket Assy., Rope guide
370	34346		Decal, Instruction
379	631021		Inlet Needle, Seat & Clip Assy.
390D	590532		Side Mount Rewind Starter NOTE: Replacement hardware may differ when servicing starter assy. or blower housing. Refer to Service Bulletin 508. (Refer to Division 5, Section C, page 32 or Fiche 6, Grid G-5 for breakdown)
1171	650802		Screw, 1/4-20 x 5/8"
1175	590441		Bracket Assy. (Use as required)
1176	650639		Open End Rivet (Use as required)

ILLUSTRATION SHOWS TYPICAL PARTS ONLY. ORDER BY PART NUMBER. PARTS NOT LISTED ARE SUPPLIED BY OEM.



Ref #	Part Number	Qty	Description
19	31361		Spring, Governor
32	32323		Washer, Thrust
62	650760		Screw, 8-32 x 3/8"
63	28545		Grommet, Plastic
68	33356		Tab, Ground terminal
90	610963		Flywheel (W/Ring Gear)
100	610946A		Stator Assy. (Incl. 103 & 110)
169	31619A		* Gasket, Valve spring cover
171	31410		Element, Breather
174	650128		Screw, 10-24 x 1/2"
182	6201		Screw, 1/4-28 x 7/8"
216	33086		Lever, Speed adjustment
238	28820		Screw, 10-32 x 1/2"
240	31715		Body, Air cleaner
241	31691		Bracket, Air cleaner
243	650152		Screw, 8-32 x 3/8"
245	30727		Air Cleaner Filter
260A	34312		Blower Housing NOTE: Replacement hardware may differ when servicing starter assy. or blower housing. Refer to Service Bulletin 508.
262	30200		Screw, 10-24 x 9/16"
277	30063		Screw, Torx T-30, 1/4-20 x 1/2" (Use as req.)
287			Pop Rivet (Purchase locally) (3/16" d ia.)
287	29716		Screw, 1/4-28 x 7/16" (Use as require d)
287	30513		Screw & Lockwasher, 1/4-28 x 1/2"
290	29774		Fuel Line(Braided 8-1/4")(21 cm)(Use as req.)
290	34357		Fuel Line (Epichlorohydrin 6-3/4") (1 7 cm)
290	30705		Fuel Line (Braided 16")(40 cm)(Use as req.)
292	26460		Fuel Line Clamp (Use as required)
305	34264		Oil Fill Tube
313A	34080		Spacer, Key
415	730162		Muffler Adapter Kit (Incl. 274 & 277A ) (Inverted Ports)
1170	34271		Pulley, Starter rope
1208	31667		Spring, Pre-cleaner
1209	31668		Bag, Pre-cleaner
1210	730512		Pre-cleaner Kit (Incl. 1208 & 1209)