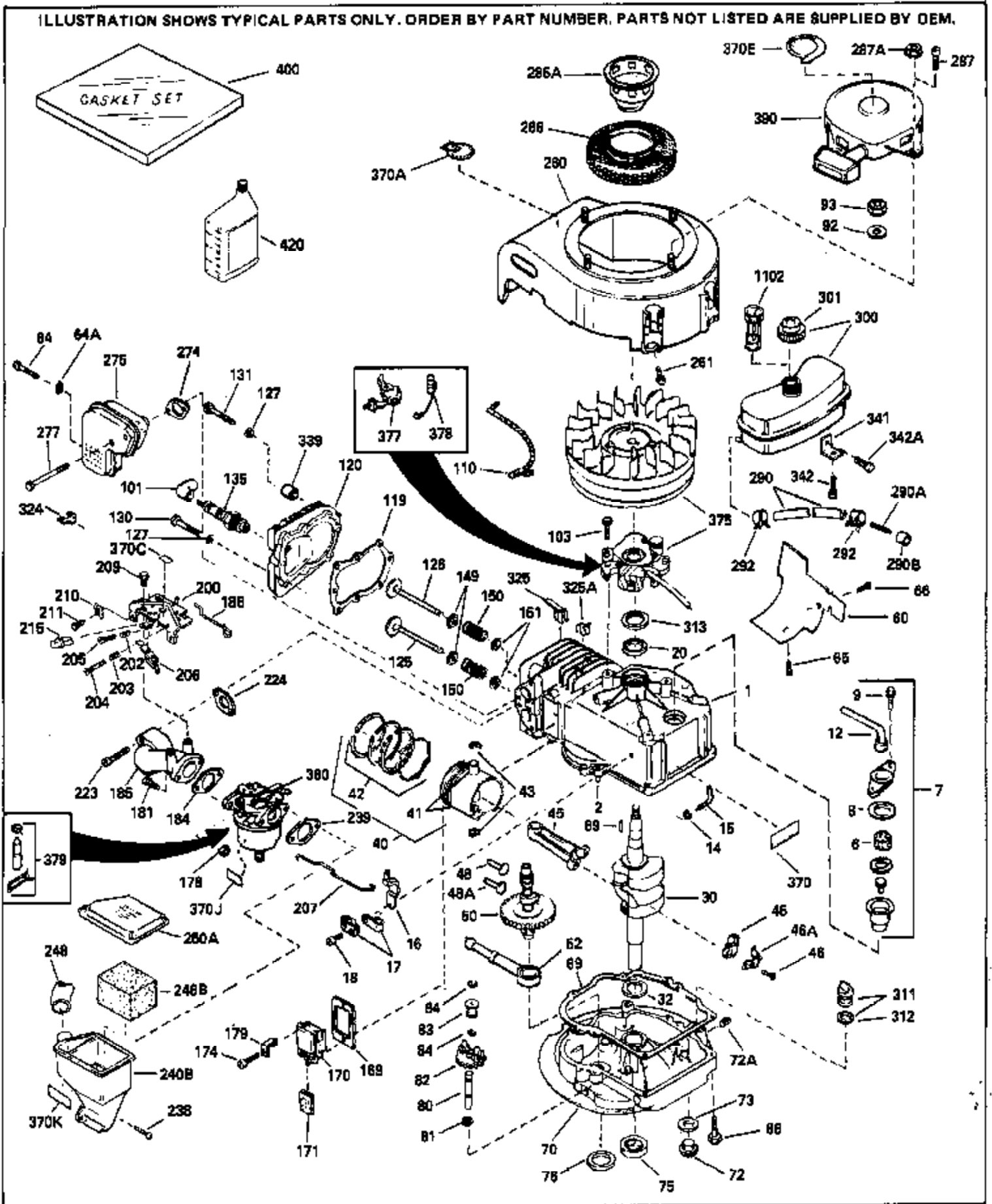


ILLUSTRATION SHOWS TYPICAL PARTS ONLY. ORDER BY PART NUMBER. PARTS NOT LISTED ARE SUPPLIED BY OEM.



| Ref # | Part Number | Qty | Description   |
|-------|-------------|-----|---|
|       | 1 35010     |     | Cylinder (Incl. 2 & 20) (2-5/8" Bore)   |
|       | 2 26727     |     | Pin, Dowel  |
|       | 14 28277    |     | Washer, Flat  |
|       | 15 31513    |     | Rod, Governor   |
|       | 16 32651    |     | Lever, Governor   |
|       | 17 31335    |     | Clamp, Governor lever (Clamp is positioned towardspark plug end on 1977-78 and latermodels. It is positioned opposite spark plugend on earlier models.) |
|       | 18 650548   |     | Screw, 8-32 x 5/16"   |
|       | 19 31386    |     | Spring, Governor  |
|       | 20 32600    |     | Seal, Oil   |
|       | 30 33768    |     | Crankshaft  |
|       | 40 34851    |     | Piston, Pin & Ring Set (Std.) (2-5/8" Bore)   |
|       | 40 34852    |     | Piston, Pin & Ring Set (.010" OS)   |
|       | 40 34853    |     | Piston, Pin & Ring Set (.020" OS)   |
|       | 41 32603B   |     | Piston & Pin Ass'y.(Std.)(Incl. 43)(2 -5/8")  |
|       | 41 32604B   |     | Piston & Pin Ass'y. (.010" OS) (Incl. 43)   |
|       | 41 32605B   |     | Piston & Pin Ass'y. (.020" OS) (Incl. 43)   |
|       | 42 34854    |     | Ring Set (Std.) (2-5/8" Bore)   |
|       | 42 34855    |     | Ring Set (.010" OS)   |
|       | 42 34856    |     | Ring Set (.020" OS)   |
|       | 43 20381    |     | Ring, Piston pin retaining  |
|       | 45 32875    |     | Rod Assy., Connecting (Incl. 18)  |
|       | 46A 32609   |     | Plate, Lock (Do not use with 32610A locking type screw)   |
|       | 46 32610    |     | Connecting Rod Bolt (Early Production )   |
|       | 46 32610A   |     | Bolt, Connecting rod  |
|       | 48A 27241   |     | Lifter, Intake valve  |
|       | 48 27241    |     | Lifter, Exhaust valve   |
|       | 50 33148A   |     | Camshaft  |
|       | 52 29914    |     | Pump Assy., Oil   |
|       | 60 29745    |     | Extension, Blower housing   |
|       | 66 30063    |     | Screw, Torx T-30, 1/4-20 x 1/2"   |
|       | 69 35261    |     | * Gasket, Mounting flange   |
|       | 70 33521D   |     | Flange Ass'y. (Incl. 58, 72, 75, 80 & 306)  |
|       | 72 30572    |     | Plug, Oil drain (Incl. 73)  |
|       | 72A 9556    |     | Oil Drain Plug (Use as required)  |
|       | 73 28833    |     | * Drain Plug Gasket (Do not use w/plastic plug)   |
|       | 75 26208    |     | Seal, Oil   |
|       | 80 30574    |     | Shaft, Mechanical governor  |
|       | 81 30590A   |     | Washer, Flat  |
|       | 82 30591    |     | Gear Assy., Governor (Incl. 81)   |
|       | 83 30588A   |     | Spool, Governor   |
|       | 84 29193    |     | Ring, Retaining   |
|       | 86 650488   |     | Screw, 1/4-20 x 1-1/4"  |
|       | 89 610951   |     | Key, Flywheel   |
|       | 92 650815   |     | Washer, Belleville  |
|       | 93 650607   |     | Nut, Flywheel   |
|       | 103 650489  |     | Screw, 1/4-20 x 5/8"  |
|       | 110 35349   |     | Ground Wire   |
|       | 119 33015A  |     | * Gasket, Cylinder head   |
|       | 120 33016A  |     | Head, Cylinder (Incl. 131)  |
|       | 125 29313C  |     | Exhaust Valve (STD)(Incl. 151) (Conventional Ports)   |
|       | 125 29315C  |     | Exhaust Valve (1/32" OS)(Incl. 151) (Conventional Ports)  |
|       | 126 29314B  |     | Intake Valve (STD)(Incl. 151) (Conventional Ports)  |
|       | 126 29315C  |     | Intake Valve (1/32" OS)(Incl. 151) (Conventional Ports)   |
|       | 127 26073   |     | Washer (Not used in late production)  |
|       | 127 650691  |     | Washer (Used on late production)  |

| Ref # | Part Number | Qty | Description  |
|-------|-------------|-----|--|
| 130   | 6021A       |     | Screw, 5/16-18 x 1-1/2" (Use as required)  |
| 130   | 650818      |     | Screw, 5/16-18 x 1-1/2" (Use as required)  |
| 131   | 650694A     |     | Screw, 5/16-18 x 2" (Use as required)  |
| 131   | 650697A     |     | Screw, 5/16-18 x 2-1/2" (Use as required)  |
| 135   | 33636       |     | Spark Plug (J-8C)  |
| 149   | 31671       |     | Valve Spring Cap) (Used in early production)   |
| 150   | 31672       |     | Spring, Valve  |
| 151   | 31673       |     | Cap, Lower valve spring  |
| 169   | 31619A      |     | * Gasket, Valve spring cover   |
| 170   | 31337A      |     | Body Assy., Breather (Incl. 169 & 171 )  |
| 171   | 31410       |     | Element, Breather  |
| 174   | 650128      |     | Screw, 10-24 x 1/2"  |
| 178   | 29752       |     | Nut & Lockwasher, 1/4-28   |
| 181   | 6201        |     | Screw, 1/4-28 x 7/8"   |
| 182   | 6201        |     | Screw, 1/4-28 x 7/8"   |
| 184   | 26756       |     | * Gasket, Carburetor   |
| 185   | 33004A      |     | Pipe, Intake (Incl. 224)   |
| 186   | 32653       |     | Link, Governor spring  |
| 200   | 33131A      |     | Control Bracket (Incl. 203 thru 206)   |
| 202   | 33802       |     | Spring, Compression  |
| 203   | 31342       |     | Spring, Compression  |
| 204   | 650549      |     | Screw, 5-40 x 7/16"  |
| 205   | 650777      |     | Screw, 6-32 x 21/32"   |
| 206   | 610973      |     | Terminal Assy.   |
| 207   | 33133       |     | Link, Governor-to-throttle   |
| 209   | 30200       |     | Screw, 10-24 x 9/16"   |
| 210   | 27793       |     | Clip, Conduit  |
| 211   | 28942       |     | Screw, 10-32 x 3/8"  |
| 223   | 650451      |     | Screw, 1/4-20 x 1"   |
| 224   | 32649A      |     | * Gasket, Intake   |
| 238   | 650707      |     | Screw, 10-32 x 5/8"  |
| 239   | 33051       |     | * Gasket, Air cleaner  |
| 240B  | 33005       |     | Body, Air cleaner  |
| 246B  | 33006       |     | Element, Air cleaner   |
| 248   | 33008       |     | Tube, Air cleaner  |
| 250A  | 33007       |     | Cover, Air cleaner   |
| 260   | 32455B      |     | Housing, Blower NOTE: Replacement hardware may differ when servicing starter assy. or blower housing. Refer to Service Bulletin 508. |
| 261   | 650561      |     | Screw, 1/4 20 x 5/8"   |
| 277   | 30063       |     | Screw, Torx T-30, 1/4-20 x 1/2" (Use as req.)  |
| 287A  | 29752       |     | Nut & Lockwasher, 1/4-28 (Use as required)   |
| 287   | 29716       |     | Screw, 1/4-28 x 7/16" (Use as required)  |
| 287   | 30513       |     | Screw & Lockwasher, 1/4-28 x 1/2"  |
| 287   |             |     | Pop Rivet (Purchase locally) (3/16" dia.)  |
| 290   | 29774       |     | Fuel Line(Braided 8-1/4")(21 cm)(Use as req.)  |
| 290   | 34357       |     | Fuel Line (Epichlorohydrin 6-3/4") (17 cm)   |
| 290   | 30705       |     | Fuel Line (Braided 16")(40 cm)(Use as req.)  |
| 292   | 26460       |     | Fuel Line Clamp (Use as required)  |
| 300   | 32170A      |     | Fuel Tank (Incl. 292 & 301)  |
| 301   | 410144B     |     | Fuel Cap (Std.) (Use as required)  |
| 301   | 33032       |     | Fuel Cap (Use as required)   |
| 301   | 34210       |     | Fuel Cap (use as required)   |
| 305   | 32750       |     | Oil Fill Tube  |
| 325A  | 27275       |     | Clip, Hi-tension wire (Use as required)  |
| 370A  | 550223      |     | Name & Instruction Decal   |
| 370   | 34346       |     | Decal, Instruction   |

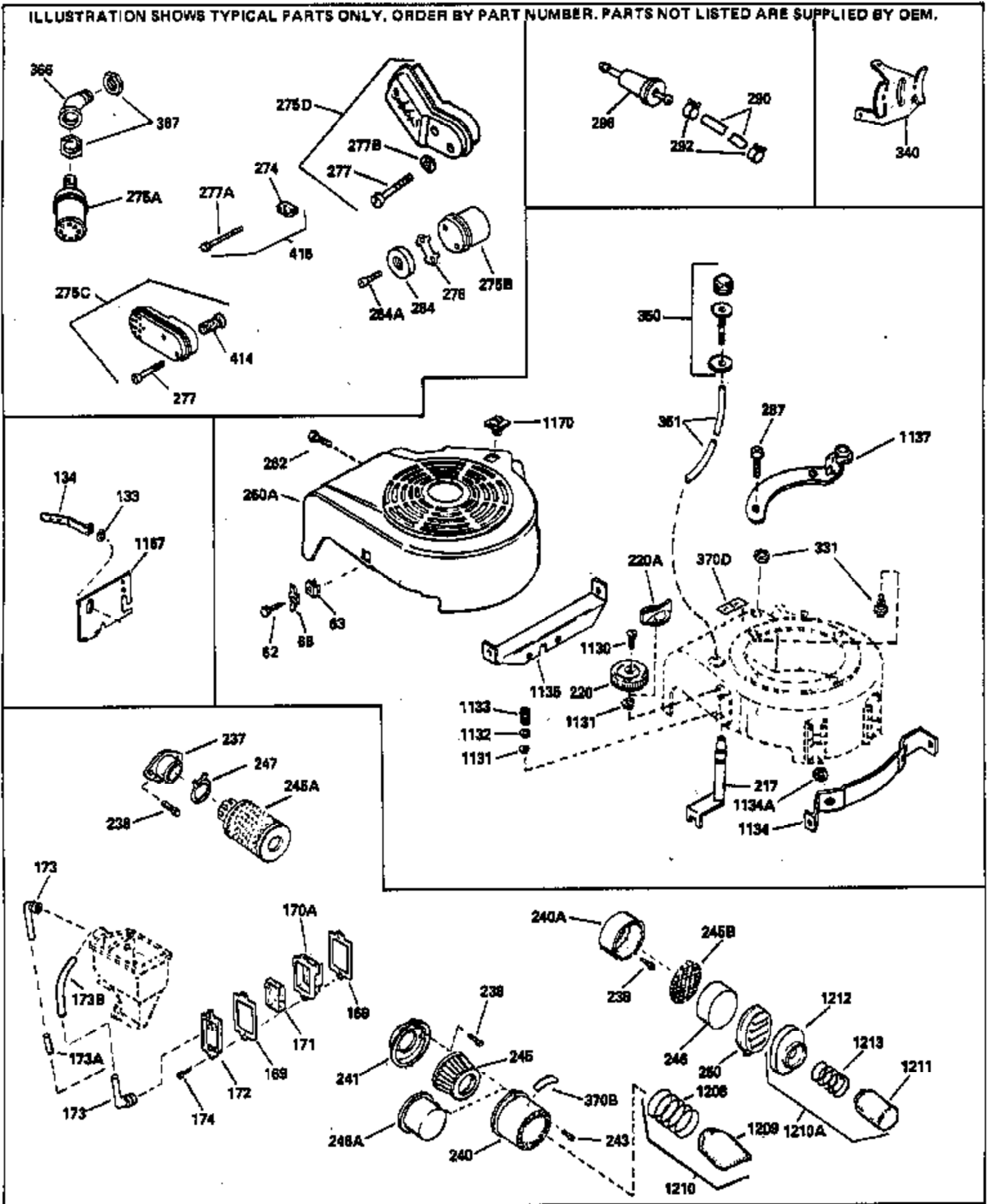
| Ref # | Part Number | Qty | Description   |
|-------|-------------|-----|---|
| 375   | 610964      |     | Magneto (W/Ring Gear) NOTE: This magneto is not available as an assembly. The magneto number is shown for reference purposes only. Order component parts individually, as shown in parts breakdown. Refer to Division 5, Section B, page35 or Fiche 6, Grid F-13 for breakdown) |
| 377   | 30547A      |     | Contact Assy., Breaker  |
| 378   | 30548B      |     | Condenser   |
| 379   | 631021      |     | Inlet Needle, Seat & Clip Assy.   |
| 380   | 631699      |     | Carburetor (Incl. 184) (Refer to Division 5, Section A, page 112 or Fiche 6, Grid E-5 for breakdown)  |
| 400   | 33238D      |     | * Gasket Set (Incl. items marked *)   |
| 420   | 730225      |     | SAE 30 4-Cycle Engine Oil (Quart)   |
| 1102  | 29553A      |     | Gauge, Visual fuel  |

ILLUSTRATION SHOWS TYPICAL PARTS ONLY. ORDER BY PART NUMBER. PARTS NOT LISTED ARE SUPPLIED BY OEM.



| Ref # | Part Number  | Qty | Description   |
|-------|--------------|-----|---|
|       | 19 31386     |     | Spring, Governor  |
|       | 53 31745     |     | Washer, Tang  |
|       | 54 31787     |     | Washer, Flat  |
|       | 55 33637     |     | PTO Shaft   |
|       | 56 31746     |     | Gear, Worm  |
|       | 57 31749     |     | Ring, Retaining   |
|       | 58 31744     |     | Seal, Oil   |
|       | 59 31747     |     | Washer, Flat  |
|       | 87 650492    |     | Screw, 1/4-20 x 2-1/4"  |
|       | 92 650815    |     | Washer, Belleville  |
|       | 93 650607    |     | Nut, Flywheel   |
|       | 182 6201     |     | Screw, 1/4-28 x 7/8"  |
|       | 261 650561   |     | Screw, 1/4 20 x 5/8"  |
|       | 262 650561   |     | Screw, 1/4-20 x 5/8"  |
|       | 286A 32237   |     | Screen, Flywheel  |
|       | 287 29716    |     | Screw, 1/4-28 x 7/16" (Use as require d)  |
|       | 287 30513    |     | Screw & Lockwasher, 1/4-28 x 1/2"   |
|       | 287          |     | Pop Rivet (Purchase locally) (3/16" d ia.)  |
|       | 305 32750    |     | Oil Fill Tube   |
|       | 306 34282    |     | "O" Ring (This "O" ring is required with metal fill tube only when replacement mounting flange with .777 dia. oil fill hole has been used.)   |
|       | 306 30139    |     | "O" Ring  |
|       | 307 29985    |     | "O" Ring  |
|       | 309 650562   |     | Screw, 10-32 x 1/2"   |
|       | 310 30140    |     | Dipstick (Incl. 307)  |
|       | 327 32236    |     | Plug, Screen  |
|       | 370A 550223  |     | Name & Instruction Decal  |
|       | 370 34346    |     | Decal, Instruction  |
|       | 379 631021   |     | Inlet Needle, Seat & Clip Assy.   |
|       | 390A 590450A |     | Side Mount Rewind Starter NOTE: Replacement hardware may differ when servicing starter assy. or blower housing. Refer to Service Bulletin 508. (Refer to Division 5, Section C, page 27 or Fiche 6, Grid G-4 for breakdown) |
|       | 1171 650737  |     | Screw, 1/4-20 x 1/2"  |
|       | 1175 590441  |     | Bracket Ass'y. (Use as required)  |
|       | 1176 650639  |     | Open End Rivet (Use as required)  |

ILLUSTRATION SHOWS TYPICAL PARTS ONLY. ORDER BY PART NUMBER. PARTS NOT LISTED ARE SUPPLIED BY OEM.



| Ref # | Part Number | Qty | Description  |
|-------|-------------|-----|--|
| 19    | 31386       |     | Spring, Governor   |
| 169   | 31619A      |     | * Gasket, Valve spring cover                             |
| 171   | 31410       |     | Element, Breather  |
| 174   | 650128      |     | Screw, 10-24 x 1/2"                                      |
| 182   | 6201        |     | Screw, 1/4-28 x 7/8"                                     |
| 238   | 650707      |     | Screw, 10-32 x 5/8"                                      |
| 262   | 650561      |     | Screw, 1/4-20 x 5/8"                                     |
| 277   | 30063       |     | Screw, Torx T-30, 1/4-20 x 1/2" (Use as req.)            |
| 287   | 29716       |     | Screw, 1/4-28 x 7/16" (Use as require d)                 |
| 287   | 30513       |     | Screw & Lockwasher, 1/4-28 x 1/2"                        |
| 287   |             |     | Pop Rivet (Purchase locally) (3/16" d ia.)               |
| 290   | 29774       |     | Fuel Line(Braided 8-1/4")(21 cm)(Use as req.)            |
| 290   | 34357       |     | Fuel Line (Epichlorohydrin 6-3/4") (1 7 cm)              |
| 290   | 30705       |     | Fuel Line (Braided 16")(40 cm)(Use as req.)              |
| 292   | 26460       |     | Fuel Line Clamp (Use as required)                        |
| 305   | 32750       |     | Oil Fill Tube  |
| 415   | 730162      |     | Muffler Adapter Kit (Incl. 274 & 277A ) (Inverted Ports) |