

Engine Parts List #1

Ref #	Part Number	Qty	Description
	1 35385	1	Cylinder (Incl. 2, 20 & 72)
	2 27652	2	Dowel Pin
	14 28277	1	Washer
	15B 650494	1	Screw, 6-40 x 5/16"
	15A 30700	1	Governor Yoke
	15 30699C	1	Governor Rod (Incl. 15A & 15B)
	16 33454	1	Governor Lever
	17 29916	1	Governor Lever Clamp
	18 651028	1	Screw, Torx T-15, 8-32 x 3/8"
	19 34663	1	Speed Control Spring
	19 33857	1	Extension Spring
	20 35319	1	Oil Seal
	25 36460	1	Blower Housing Baffle
	26 650561	2	Screw, 1/4-20 x 5/8"
	28 30322	1	Lock Nut, 8-32
	30 35529A	1	Crankshaft
	35 29826	1	Screw, 10-32 x 3/4"
	37 29216	1	Lock Nut, 10-32
	38 29642	1	Retaining Ring
	40 40011	1	Piston, Pin & Ring Set (Std.)
	40 40012	1	Piston, Pin & Ring Set (.010" OS)
	41 40009	1	Piston & Pin Ass'y. (Std.) (Incl. 43)
	41 40010	1	Piston & Pin Ass'y. (.010" OS) (Incl. 43)
	42 40013	1	Ring Set (Std.)
	42 40014	1	Ring Set (.010" OS)
	43 27888	2	Piston Pin Retaining Ring
	45 36897	1	Connecting Rod Ass'y. (Incl. 47 & 49)
	47 651033	2	Connecting Rod Bolt
	48 34034	2	Valve Lifter
	49 36896	1	Oil Dipper
	50 35375	1	Camshaft (MCR)
	60 33273A	1	Blower Housing Extension
	62 650760	1	Screw, 8-32 x 3/8"
	63 28545	1	Grommet
	65 650128	1	Screw, 10-24 x 1/2"
	69 35262A	1	* Cylinder Cover Gasket
	70 33626B	1	Cylinder Cover (Incl. 74,75,80,175 & 176)
	72 27642	2	Oil Drain Plug
	80 31845	1	Governor Shaft
	81 30590A	1	Washer
	82 35378	1	Governor Gear Ass'y. (Incl. 81)
	83 30588A	1	Governor Spool
	84 29193	1	Retaining Ring
	86 650833	7	Screw, 1/4-20 x 1-3/16"
	87 650832	1	Screw, 1/4-20 x 1-11/16"
	89 32589	1	Flywheel Key
	90 611270	1	Flywheel
	92 650880	1	Lock Washer
	93 650881	1	Flywheel Nut
	100 35135	1	Solid State Ignition
	101 610118	1	Spark Plug Cover
	102 651024	2	Solid State Mounting Stud
	103 651007	2	Screw, Torx T-15, 10-24 x 15/16"
	110A 37427	1	Ground Wire
	110 36993	1	Ground Wire
	111B 611224	1	Rocker On/Off Switch
	119 36448	1	* Cylinder Head Gasket
	120 36449	1	Cylinder Head

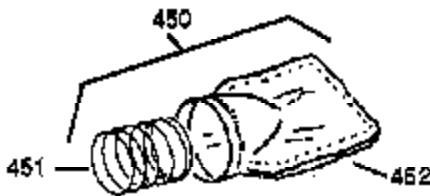
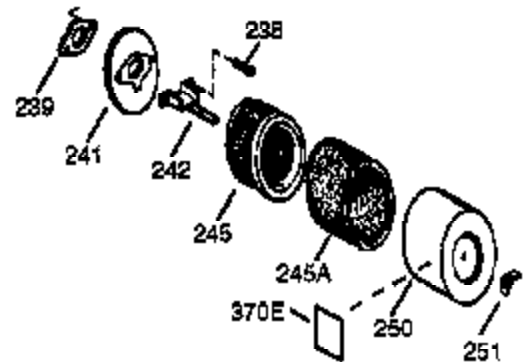
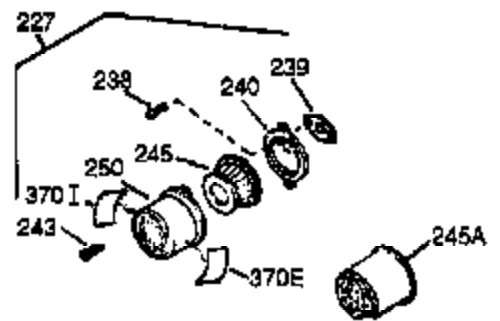
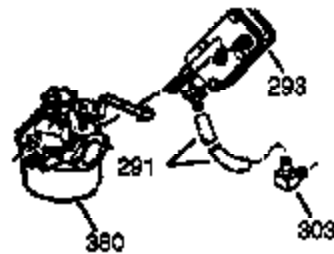
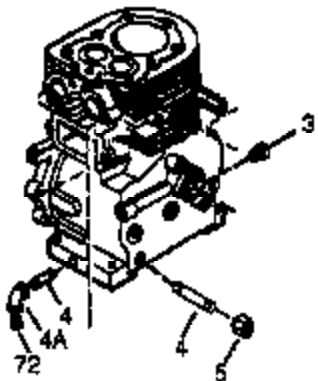
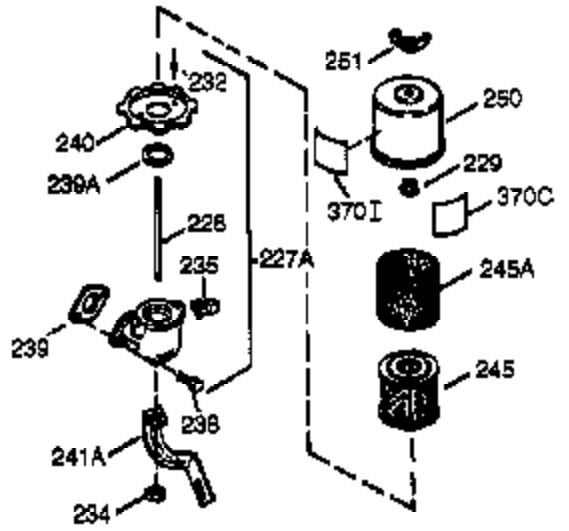
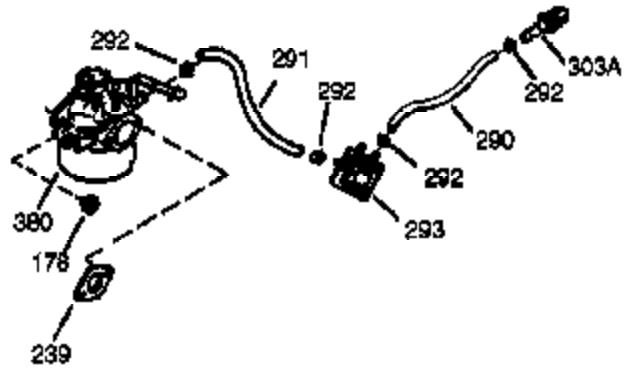
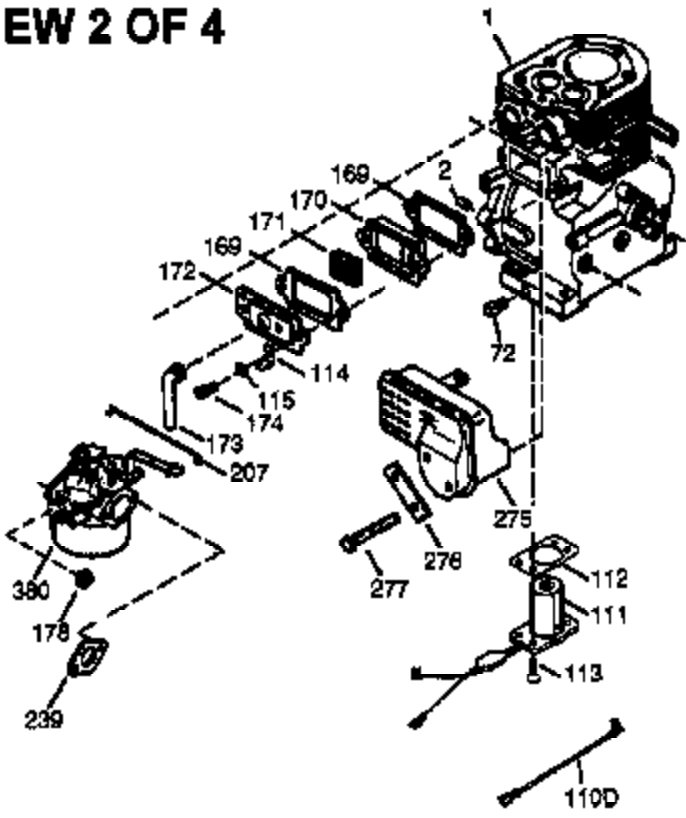
Engine Parts List #1

Ref #	Part Number	Qty	Description
125	27878A	1	Exhaust Valve (Std.) (Incl. 151)
125	27880A	1	Exhaust Valve (1/32" OS) (Incl. 151)
126	34035	1	Intake Valve (Std.) (Incl. 151)
127	650691	9	Washer
128	650690	7	Belleville Washer
130	650694A	7	Screw, 5/16-18 x 2"
130B	651031	1	Screw, 1/4-20 x 9/16"
130A	650727	2	Screw, 5/16-18 x 1-3/4"
135	33636	1	Resistor Spark Plug (RJ-17LM)
139	33369	1	Governor Gear Bracket
140	650836	2	Screw, 10-24 x 1/2"
149	27882	1	Valve Spring Cap
149A	35862	1	Valve Spring Cap
150	27881	2	Valve Spring
151	32581	2	Valve Spring Keeper
169	27896A	2	* Breather Gasket
170	28423	1	Breather Body
171	28424	1	Breather Element
172	28425	1	Valve Cover
173A	32446	3	Breather Tube Grommet
173A	32446	1	Breather Tube Grommet
173	32447	1	Breather Tube
174	650128	2	Screw, 10-24 x 1/2"
182	650517	2	Screw, Torx T-30, 1/4-20 x 27/32"
184	33263	1	* Carburetor To Intake Pipe Gasket
186	34661	1	Governor Link
200	34784	1	Control Bracket (Incl. 19, 203 & 204)
203	31342	1	Compression Spring
204	651029	1	Screw, Torx T-10, 5-40 x 7/16"
207	34785	1	Choke Link
209	650821	2	Screw, 10-32 x 1/2"
210	27793	1	Conduit Clip
211	28942	1	Screw, 10-32 x 3/8"
223	650378	2	Screw, Torx T-30, 5/16-18 x 1-1/8"
224	27915A	1	* Intake Pipe Gasket
260	37348	1	Blower Housing
261	650788	2	Screw, 5/16-18 x 3/4"
262	29747B	2	Screw, Torx T-40, 5/16-24 x 21/32"
265	33272B	1	Cylinder Head Cover
279B	26073	1	Washer
279	650273	2	Screw, 5/16-18 x 17/32"
280A	37077	1	Heat Shield
281	33013	1	Starter Bubble Cover
282	650760	1	Screw, 8-32 x 3/8"
284A	30196	2	Screw, 5/16-18 X 3/4"
285	35985B	1	Starter Cup
287	29752	4	Nut & Lock Washer, 1/4-28
291A	29774	1	Fuel Line (1.25")
294	35791	1	Pulse Pump Repair Kit
300	34186A	1	Fuel Tank (Incl. 292 & 301)
301	35650	1	Fuel Cap
304	35480	1	Fuel Cap Retainer
305	35554	1	Oil Fill Tube
307	35499	1	"O" Ring
308	35540	1	Fill Tube Clip
310	36205	1	Dipstick
325A	27275	1	Wire Clip
342	650273	2	Screw, 5/16-18 x 17/32"

Ref #	Part Number	Qty	Description
	364 33377	1	Carburetor Cover Bracket
	370K 36695	1	Logo Decal (9.0 HP)
	370G 35274	1	Oil Instruction Decal
	380 640108	1	Carburetor (Incl. 184)
	390 590746	1	Rewind Starter (NOTE: This engine could have been built with 590704 starter.)
	400 36450B	1	* Gasket Set (Incl. items marked PK in notes) Incl. part #'s 27272A (1), 27896A (2), 27915A (1), 29673 (1), 33263 (1), 33629 (1), 34698A (1), 35262A (1), 36448 (1)
	420 730225A	1	SAE 30 4-Cycle Engine Oil (Quart)

ILLUSTRATION SHOWS TYPICAL PARTS ONLY. ORDER BY PART NUMBER. PARTS NOT LISTED ARE SUPPLIED BY OEM.

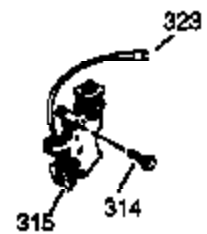
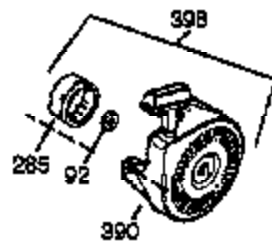
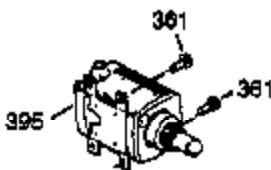
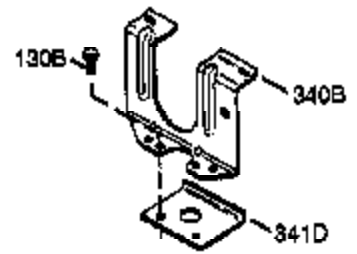
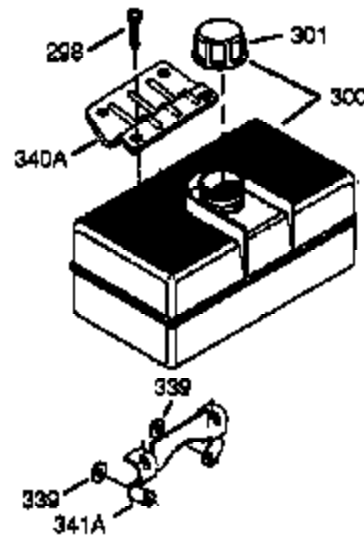
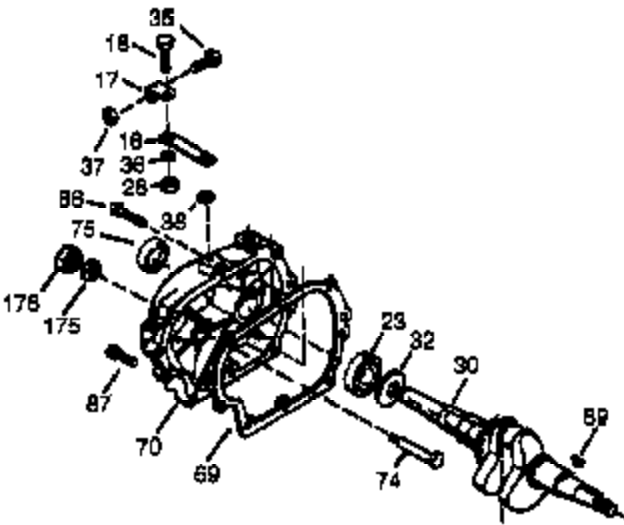
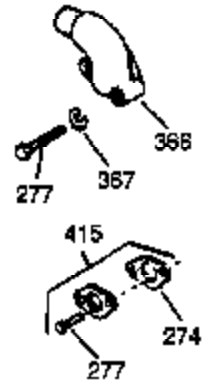
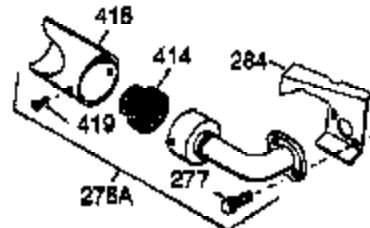
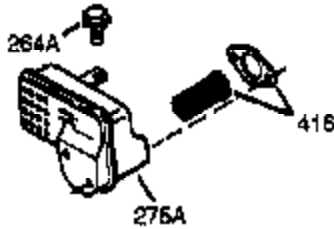
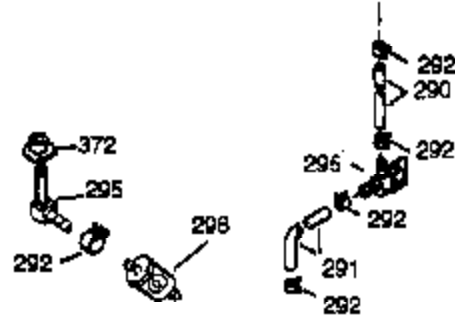
VIEW 2 OF 4



Ref #	Part Number	Qty	Description
	1 35385	1	Cylinder (Incl. 2, 20 & 72)
	2 27652	2	Dowel Pin
	72 27642	2	Oil Drain Plug
	110A 37427	1	Ground Wire
	111B 611224	1	Rocker On/Off Switch
	169 27896A	2	* Breather Gasket
	170 28423	1	Breather Body
	171 28424	1	Breather Element
	172 28425	1	Valve Cover
	173A 32446	3	Breather Tube Grommet
	173A 32446	1	Breather Tube Grommet
	174 650128	2	Screw, 10-24 x 1/2"
	207 34785	1	Choke Link
	239 27272A	1	* Air Cleaner Gasket
	240 37104	1	Air Cleaner Bracket
	242 33267	1	Air Cleaner Bracket
	243 28820	2	Screw, 10-32 x 1/2"
	245 33268	1	Air Cleaner Filter
	245A 35881	1	Air Cleaner Filter
	250 33269A	1	Air Cleaner Cover
	251 37444	1	Wing Nut, 1/4-20
	272 30196	1	Screw, 5/16-18 x 3/4"
	273 34349A	1	Carburetor Flange
	279 650273	2	Screw, 5/16-18 x 17/32"
	280A 37077	1	Heat Shield
	284A 30196	2	Screw, 5/16-18 X 3/4"
	290 29774	1	Fuel Line
	291A 29774	1	Fuel Line (1.25")
	291 30962	1	Fuel Line
	292 26460	5	Fuel Line Clamp
	293 35812	1	Pulse Pump (Incl. 294)
	303 28566	1	Pulse Pump Fitting
	308 35540	1	Fill Tube Clip
	380 640108	1	Carburetor (Incl. 184)
	420 730225A	1	SAE 30 4-Cycle Engine Oil (Quart)

ILLUSTRATION SHOWS TYPICAL PARTS ONLY. ORDER BY PART NUMBER. PARTS NOT LISTED ARE SUPPLIED BY OEM.

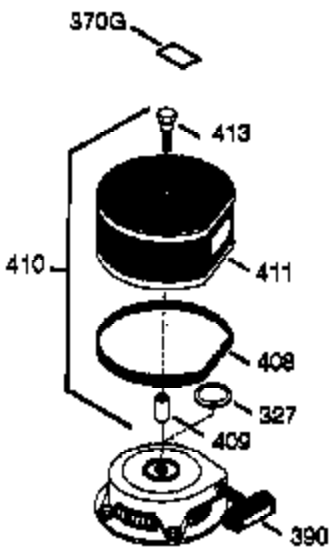
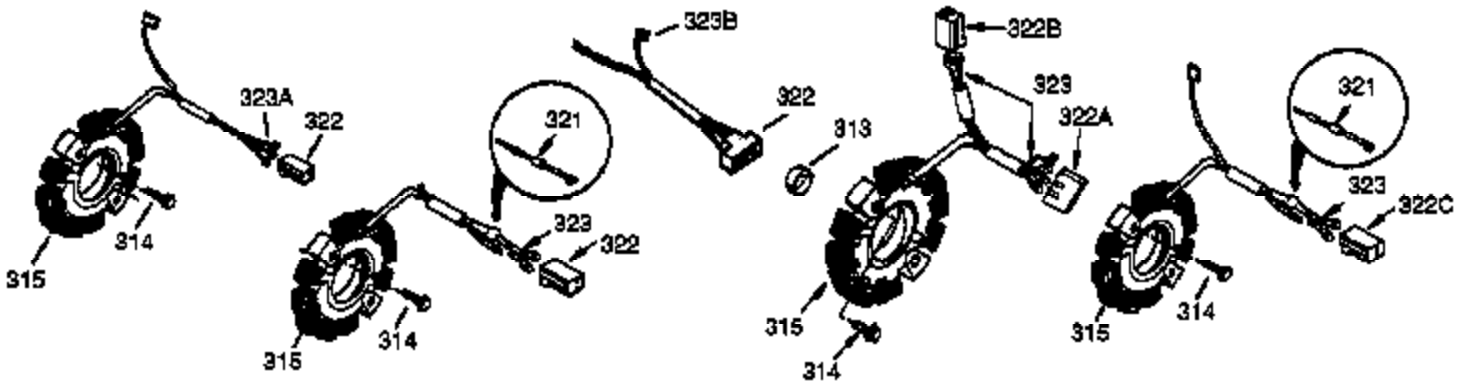
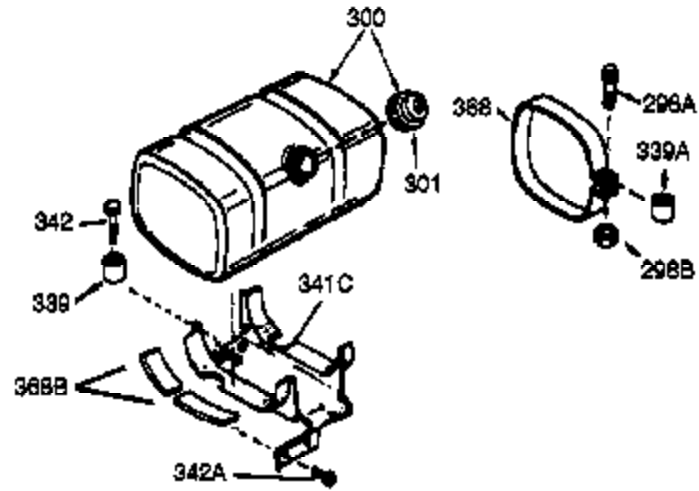
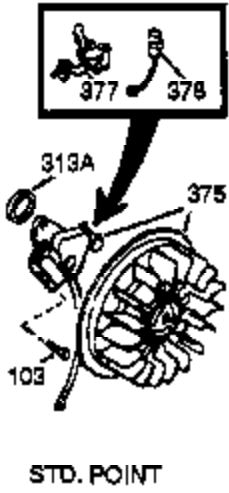
VIEW 3 OF 4



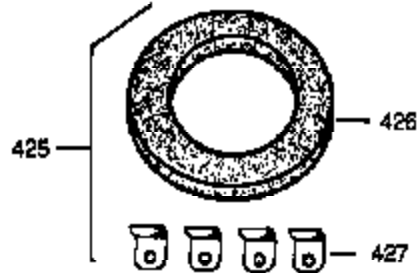
Ref #	Part Number	Qty	Description
16	33454	1	Governor Lever
17	29916	1	Governor Lever Clamp
18	651028	1	Screw, Torx T-15, 8-32 x 3/8"
23	33627	1	Ball Bearing
28	30322	1	Lock Nut, 8-32
30	35529A	1	Crankshaft
32	33628	1	Washer
35	29826	1	Screw, 10-32 x 3/4"
36	29918	1	Lock Washer
37	29216	1	Lock Nut, 10-32
38	29642	1	Retaining Ring
69	35262A	1	* Cylinder Cover Gasket
70	33626B	1	Cylinder Cover (Incl. 74,75,80,175 & 176)
74	31855	2	Bearing Retainer
75	33625	1	Oil Seal
86	650833	7	Screw, 1/4-20 x 1-3/16"
87	650832	1	Screw, 1/4-20 x 1-11/16"
89	32589	1	Flywheel Key
92	650880	1	Lock Washer
110A	37427	1	Ground Wire
111B	611224	1	Rocker On/Off Switch
130B	651031	1	Screw, 1/4-20 x 9/16"
173A	32446	3	Breather Tube Grommet
173A	32446	1	Breather Tube Grommet
175	650778	2	Lock Washer
176	650580	2	Lock Nut, 10-24
264A	650802	1	Screw, 1/4-20 x 5/8"
274	35865	1	* Muffler Gasket
279	650273	2	Screw, 5/16-18 x 17/32"
280A	37077	1	Heat Shield
284	34390	1	Muffler Deflector
284A	30196	2	Screw, 5/16-18 X 3/4"
285	35985B	1	Starter Cup
290	29774	1	Fuel Line
291A	29774	1	Fuel Line (1.25")
291	30962	1	Fuel Line
292	26460	5	Fuel Line Clamp
298	650665	2	Screw, 1/4-15 x 3/4"
300	34186A	1	Fuel Tank (Incl. 292 & 301)
301	35650	1	Fuel Cap
308	35540	1	Fill Tube Clip
314	650873	2	Screw, 1/4-20 x 3/4"
315	611104	1	Alternator Coil (3/5 Split)(Incl. 321 , 322 & 323)
323	611118	2	Terminal
339	35880	2	Spacer
340A	34259	1	Fuel Tank Bracket
341A	34258A	1	Fuel Tank Bracket
390	590746	1	Rewind Starter (NOTE: This engine could have been built with 590704 starter.)
420	730225A	1	SAE 30 4-Cycle Engine Oil (Quart)

ILLUSTRATION SHOWS TYPICAL PARTS ONLY. ORDER BY PART NUMBER. PARTS NOT LISTED ARE SUPPLIED BY OEM.

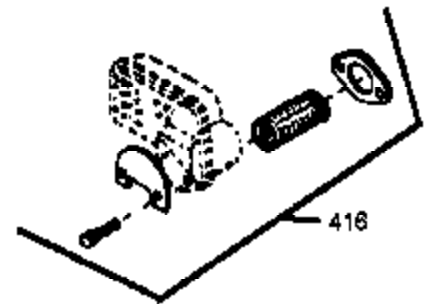
VIEW 4 OF 4



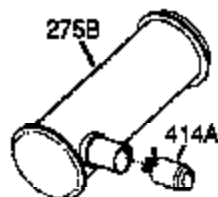
OPTIONAL DEBRIS SCREEN KIT



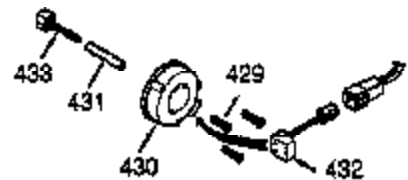
OPTIONAL STARTER MUFF KIT



OPTIONAL SPARK ARRESTOR KIT



OPTIONAL QUIET MUFFLER



OPTIONAL ADD-ON ALTERNATOR AC LIGHTING OR DC CHARGING

Ref #	Part Number	Qty	Description
	103 651007	2	Screw, Torx T-15, 10-24 x 15/16"
	110A 37427	1	Ground Wire
	111B 611224	1	Rocker On/Off Switch
	173A 32446	3	Breather Tube Grommet
	173A 32446	1	Breather Tube Grommet
	275B 37150	1	Muffler
	279 650273	2	Screw, 5/16-18 x 17/32"
	280A 37077	1	Heat Shield
	284A 30196	2	Screw, 5/16-18 X 3/4"
	291A 29774	1	Fuel Line (1.25")
	300 34186A	1	Fuel Tank (Incl. 292 & 301)
	301 35650	1	Fuel Cap
	308 35540	1	Fill Tube Clip
	314 650873	2	Screw, 1/4-20 x 3/4"
	315 611104	1	Alternator Coil (3/5 Split)(Incl. 321 , 322 & 323)
	321 611161	1	Diode
	322 611142	1	Connector Body
	323 611118	2	Terminal
	339 35880	2	Spacer
	342 650273	2	Screw, 5/16-18 x 17/32"
	370G 35274	1	Oil Instruction Decal
	390 590746	1	Rewind Starter (NOTE: This engine could have been built with 590704 starter.)
	420 730225A	1	SAE 30 4-Cycle Engine Oil (Quart)