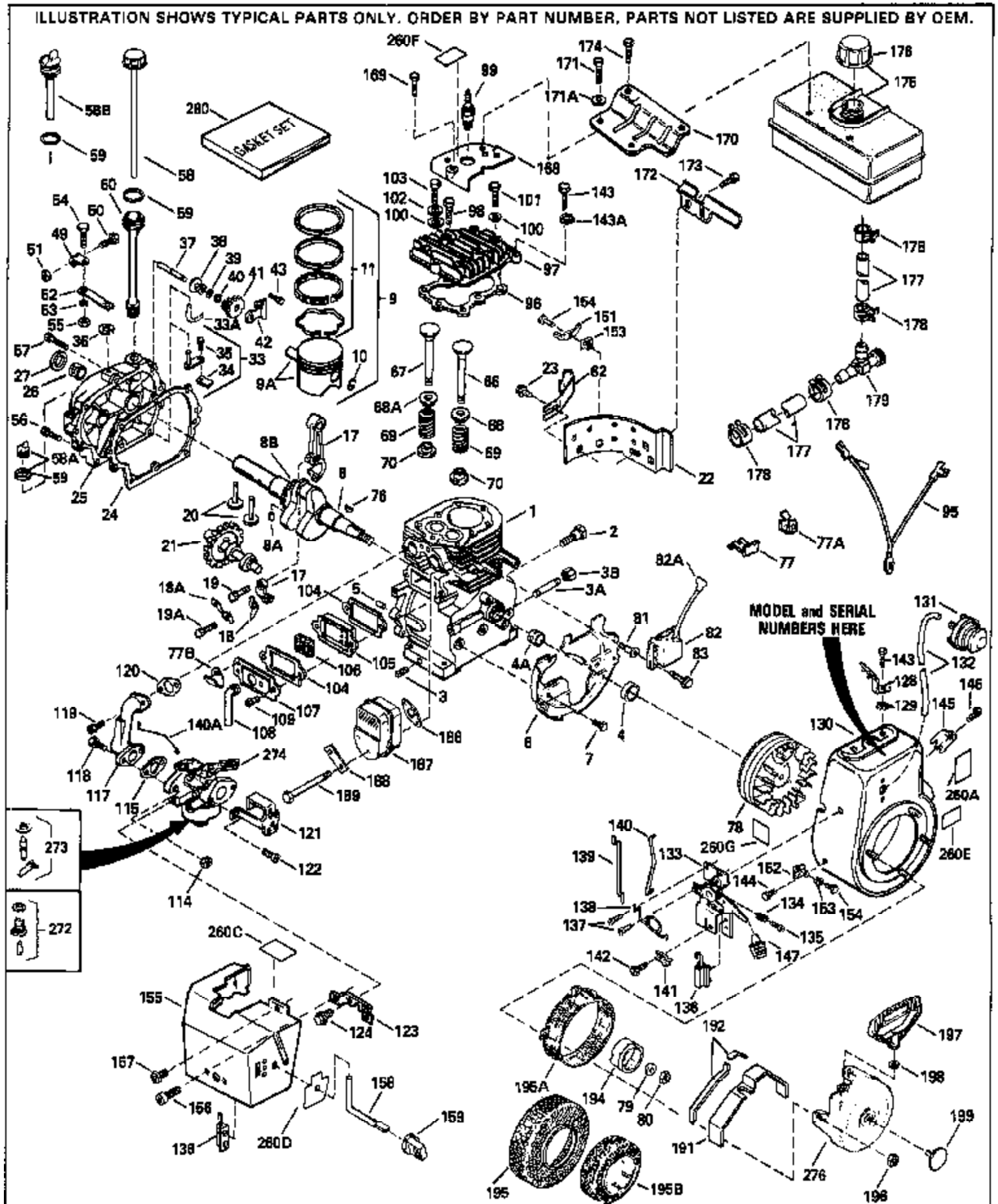


ILLUSTRATION SHOWS TYPICAL PARTS ONLY. ORDER BY PART NUMBER, PARTS NOT LISTED ARE SUPPLIED BY OEM.



Engine Parts List #1

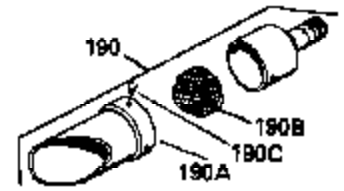
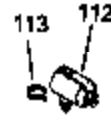
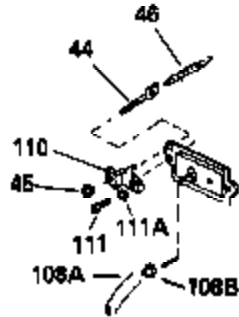
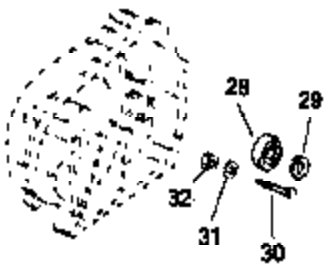
Ref #	Part Number	Qty	Description
1	33867A		Cylinder (Incl.3,4,5,9,67,70) (3-1/16 ")
3	27642		Plug, Pipe (1/4-18)
4	32630		Seal, Oil
5	27652		Pin, Dowel
6	29536		Blower Housing Baffle (No knock-out for electric start) (Use as required)
6	35256A		Blower Housing Baffle (With knock-out for electricstart) (Use as required)
7	650561		Screw, 1/4-20 x 5/8"
8A	29783		Crankshaft Gear Pin (Used on early pr od.)
8	33820A		Crankshaft
8B	33245		Crankshaft Gear (Used on early produc tion)
9A	33869B		Piston & Pin Ass'y. (Std.)(Incl. 10)(3-1/16")
9A	33870B		Piston & Pin Ass'y. (.010" OS) (Incl. 10)
9	34540		Piston, Pin & Ring Set (Std.) (3-1/16 ")
9	34541		Piston, Pin & Ring Set (.010" OS)
10	27888		Ring, Piston pin retaining
11	33873		Ring Set (Std.) (3-1/16" Bore)
11	33874		Ring Set (.010" OS)
17	32591C		Rod Assy., Connecting (Incl. 18 & 19)
18A	32590		Plate, Lock & Oil dipper (This plate may be replaced by No. 34242 oil dipper but No. 650662C screw must be used.)
19	650662C		Bolt, Connecting rod (2 pcs.)
20	34034		Lifter, Valve
21	33366		Camshaft
22	33273A		Extension, Blower housing
23	650128		Screw, 10-24 x 1/2"
24	35262		* Gasket, Cylinder cover
25	33626B		Cover, Cylinder (Incl. 27, 30, 31, 32 & 37)
27	33625		Seal, Oil
33	30699C		Rod Assy., Governor (Incl. 34 & 35)
33A	30699B		Rod, Governor (This one piece governor rod is no longer used. It is replaced by No. 30699C assembly, Ref. No. 5A.)
34	30700		Yoke, Governor
35	650494		Screw, 6-40 x 5/16"
36	29642		Ring, Retaining
37	31845		Shaft, Mechanical governor
38	30588A		Spool, Governor
39	30590A		Washer, Flat
40	29193		Ring, Retaining
41	30591		Gear Assy., Governor (Incl. 39)
42	33369		Bracket, Governor gear
43	650836		Screw, 10-24 x 1/2"
49	29916		Clamp, Governor lever
50	29826		Screw, 10-32 x 3/4"
51	29216		Locknut, 10-32
52	33454		Lever Assy., Governor
53	29918		Lockwasher, No. 8 E.T.
54	650548		Screw, 8-32 x 5/16"
55	30322		Locknut, 8-32
56	650832		Screw, 1/4-20 x 1-11/16"
57	650833		Screw, 1/4-20 x 1-3/16"
58B	31297		Dipstick (Incl. 59)
59	29673		* Gasket, Oil fill
66	27878A		Exhaust Valve (Std.) (Incl. 70)
66	27880A		Exhaust Valve (1/32" OS) (Incl. 70)

Engine Parts List #1

Ref #	Part Number	Qty	Description
67	33242		Intake Valve (Std.)
67	33243		Intake Valve (1/32" OS)
68A	27882		Cap, Upper valve spring
68	27882		Cap, Upper valve spring
69	27881		Spring, Valve
70	32581		Cap, Lower valve spring
76	32589		Key, Flywheel
77	29443		Clip, Fuel line
77A	27275		Clip, Hi tension wire
79	650815		Washer, Belleville
80	8116		Nut, Hex
82A	610118		Cover, Spark plug (Use as required)
83	650516		Screw, 1/4-20 x 1-1/8"
96	34041A		* Gasket, Cylinder head
97	34030		Head, Cylinder
98	650692		Screw, 5/16-18 x 1-3/4" (Use as required)
98	6021A		Screw, 5/16-18 x 1-1/2" (Use as required, but do not use No. 650691 washer.)
98	650711		Screw, 5/16-18 x 1-5/8" (Use as required) (Can use No. 6021A but discard No. 650691 washer.)
99	33636		Resistor Spark Plug (RJ-8C)
100	650691		Washer (Use as req.) (Do not use w/60 21A)
101	650727		Screw, 5/16-18 x 1-3/4" (Use as required)
104	27896A		* Gasket, Breather
105	28423		Body, Breather
106	28424		Element, Breather
107	28425		Cover, Breather
108	35350		Tube, Breather
109	650128		Screw, 10-24 x 1/2"
114	29752		Nut, Whiz lock, 1/4-28
115	33263		* Gasket, Carburetor
117	33370		Pipe, Intake
118	650698		Screw, 1/4-28 x 7/8"
119	650378		Screw, Torx T-30, 5/16-18 x 1-1/8"
120	27915A		* Gasket, Intake
124	650767		Screw, 8-36 x 5/8"
130	33375C		Blower Housing (For electric starter)
134	31342		Spring, Compression
135	650549		Screw, 5-40 x 7/16"
136	610973		Terminal Assy. (Use as required)
140A	33371		Link, Governor lever-to-throttle
140	33373		Link, Governor lever-to-throttle
143A	26073		Washer, Flat
143	650713		Screw, 5/16-18 x 5/8"
144	29747B		Screw, 5/16-24 x 21/32"
151	33356		Terminal, Ground
158	34586		Rod, Choke
168	33272A		Cover, Cylinder head
169	650737		Screw, 1/4-20 x 1/2" (Use as required)
169	650738		Screw, 1/4-20 x 5/8" (Use as required)
169	650713		Screw, 5/16-18 x 5/8" (Use as required)
169	650802		Screw, 1/4-20 x 5/8" (Use as required)
171A	26073		Washer, Flat
171	650713		Screw, 5/16-18 x 5/8" (Use as required)
173	650561		Screw, 1/4-20 x 5/8"
175	33350		Fuel Tank (Incl. 176, 179A & 179B)

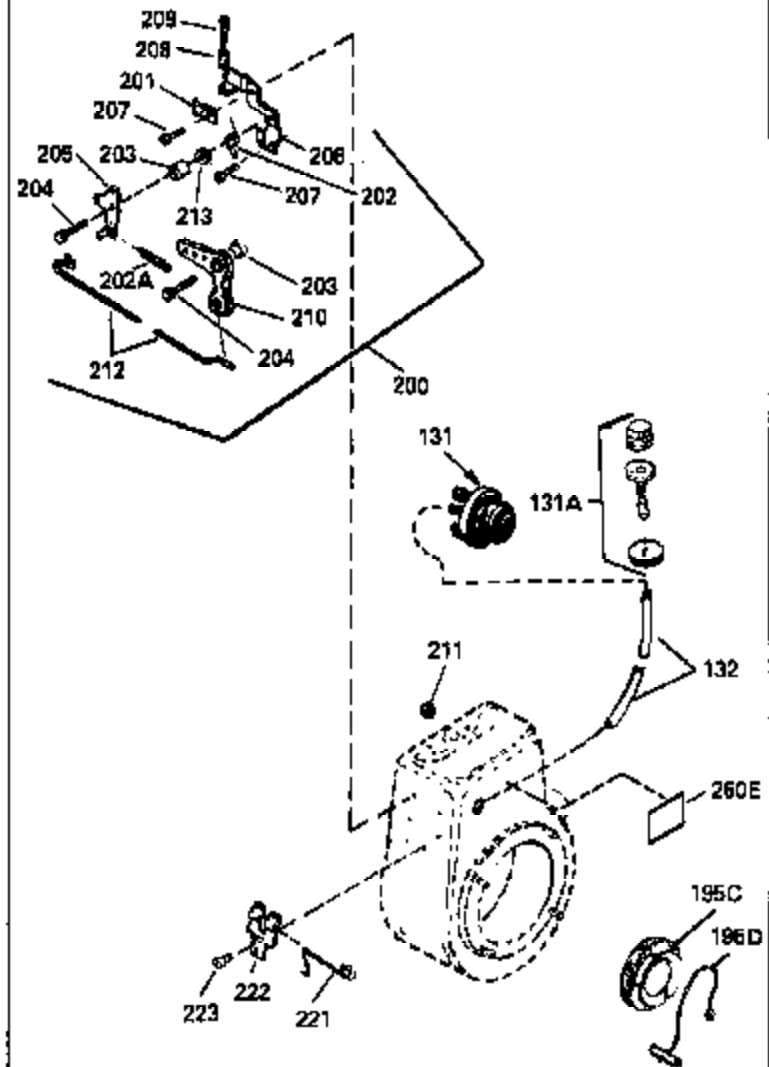
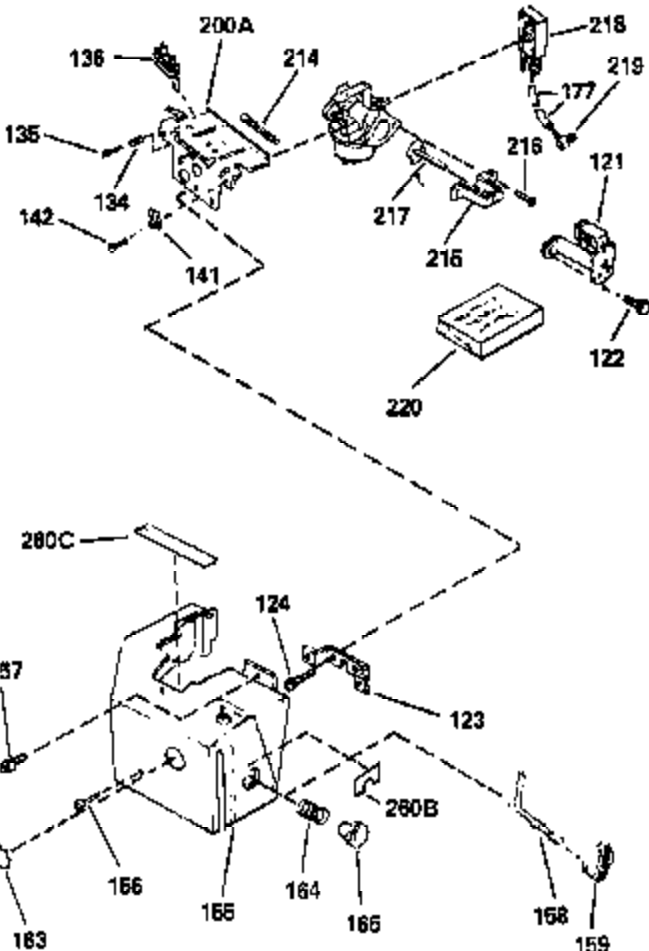
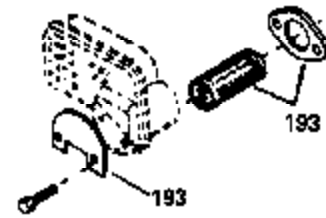
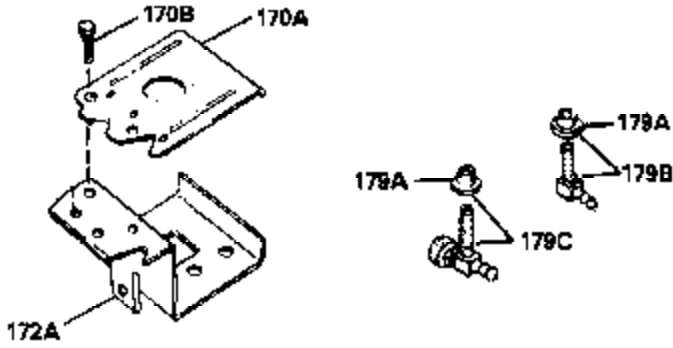
Ref #	Part Number	Qty	Description
176	33032		Fuel Cap (Red Plastic) (Spurt Resistant, Low Profile) (Use as required)
176	410144B		Fuel Cap (White Plastic) (Std) (Use as req.)
176	34210		Fuel Cap (Ref Plastic) (Spurt Resistant, High Profile) (Use as required)
176	35355		Fuel Cap (Red Plastic) (Use as required)
177	29774		Fuel Line (Use as required) (8.25") (21 cm)
177	30705		Fuel Line (Use as required) (16.0") (41 cm)
178	26460		Clamp, Fuel line (Use as required)
186	27930A		* Gasket, Exhaust (Use as required)
187	33280A		Muffler
188	31588		Plate, Muffler locking
189	650729		Screw, 5/16-18 x 3-3/16"
195B	33662		Hub & Screen Assy., Starter
196	29752		Nut, Whiz lock, 1/4-28
260A	550223		Decal, Name
272	32255A		Valve, Seal, Gasket & Spring Assy.
274	631678		Carburetor (Incl. 115) (Refer to Division 5, Section A, page 120 for breakdown)
276	590479		Rewind Starter (Refer to Division 5, Section C, page 30 for breakdown)
280	33279G		* Gasket Set (Incl. items marked *)

ILLUSTRATION SHOWS TYPICAL PARTS ONLY. ORDER BY PART NUMBER, PARTS NOT LISTED ARE SUPPLIED BY OEM.



OPTIONAL SPARK ARRESTOR MUFFLER

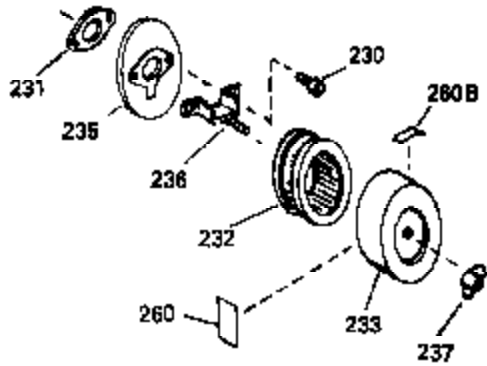
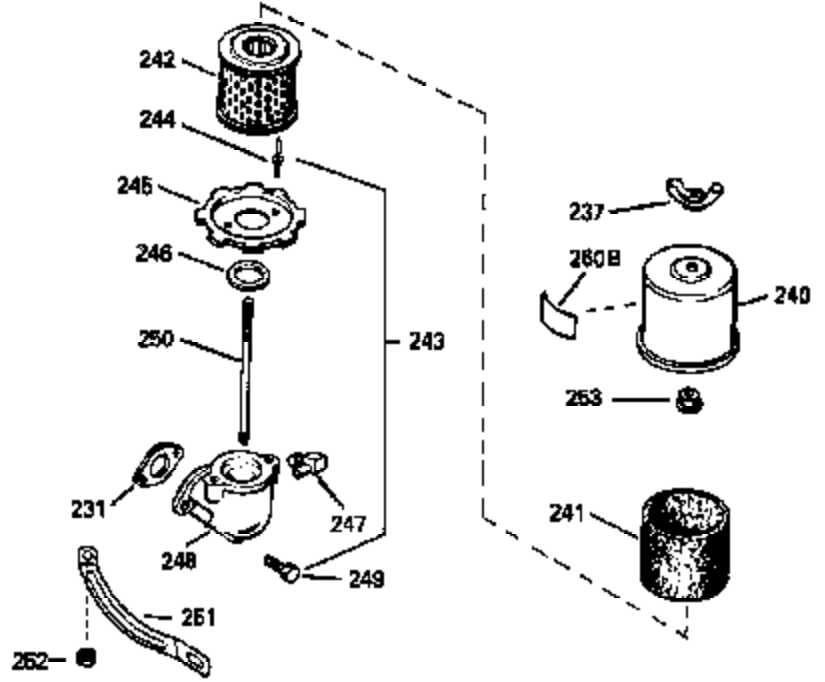
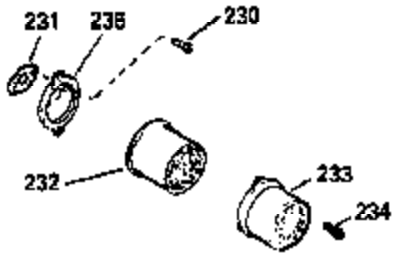
OPTIONAL SPARK ARRESTOR KIT



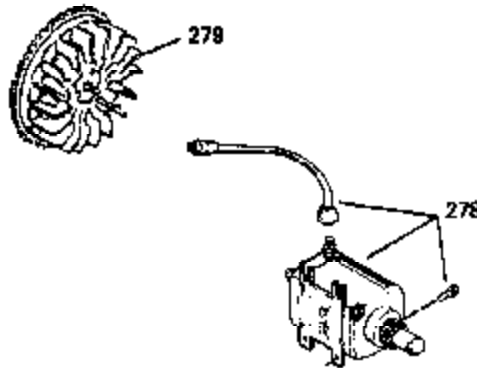
Engine Parts List #2

Ref #	Part Number	Qty	Description
	28 33627		Bearing, Ball
	29 33628		Washer, Thrust
	30 31855		Retainer, Bearing
	31 650778		Nut, Lock, 10-24
	32 650580		Nut, Lock, 10-23
	124 650767		Screw, 8-36 x 5/8"
	134 31342		Spring, Compression
	135 650549		Screw, 5-40 x 7/16"
	136 610973		Terminal Assy. (Use as required)
	158 34586		Rod, Choke
	170A 33383A		Plate, Upper fuel tank, mtg.
	170B 30063		Screw, 1/4-20 x 1/2"
	172A 33381		Bracket Assy., Lower fuel tank mtg.
	177 29774		Fuel Line (Use as required) (8.25") (21 cm)
	177 30705		Fuel Line (Use as required) (16.0") (41 cm)
	179C 33351		Fuel Fitting (Incl. 179A)
	179A 33679		Bushing, Fuel fitting
	190 391026		Muffler (Incl. 190A, 190B & 190C) (This spark arrestor muffler can be used on any model)
	190A 33700		Cover & Tube, Muffler (Use as required)
	190B 33323		Screen, Muffler (Use as required)
	190C 650578		Screw, 8-18 x 3/8" (Use as required)
	193 34479		Spark Arrestor Kit (Fits "L" shaped mufflers)
	200A 33388A		Control Bracket (Incl. 134, 135, 136 & 214)
	201 27793		Clip, Conduit
	214 33374		Spring, Governor extension
	260B 31752		Decal, Air cleaner

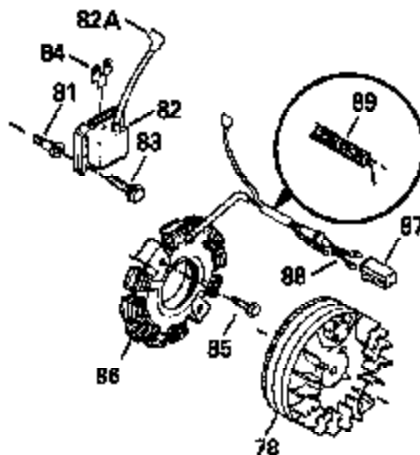
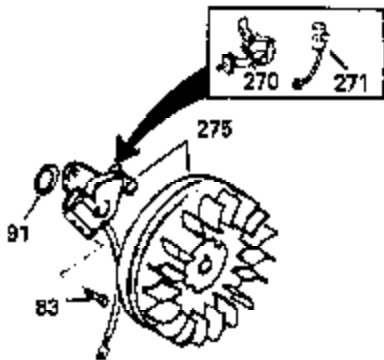
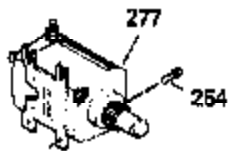
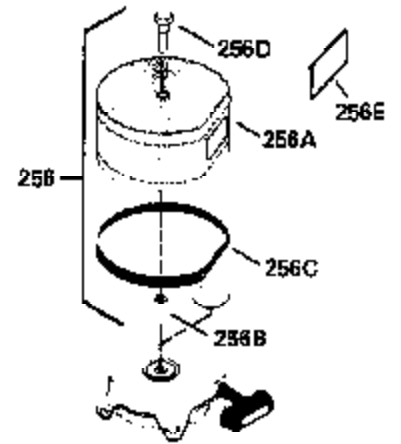
ILLUSTRATION SHOWS TYPICAL PARTS ONLY. ORDER BY PART NUMBER. PARTS NOT LISTED ARE SUPPLIED BY OEM.



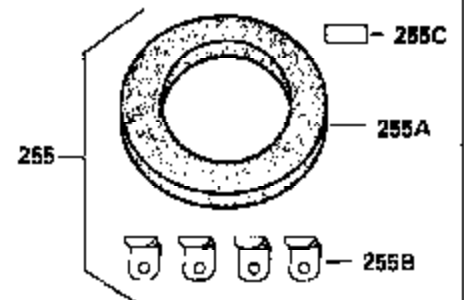
**OPTIONAL 110 - 120 VOLT
STARTER MOTOR KIT**



DEBRIS SCREEN KIT



STARTER MUFF KIT



Ref #	Part Number	Qty	Description
82A	610118		Cover, Spark plug (Use as required)
83	650516		Screw, 1/4-20 x 1-1/8"
90	610749		Regulator Assy., Rectifier (10 Amp)
230	28820		Screw, 10-32 x 1/2"
231	27272A		* Gasket, Air cleaner
232	33268		Element, Air cleaner
233	33269A		Cover, Air cleaner
235	33266		Bracket, Air cleaner
236	33267		Bracket, Air cleaner
237	650513		Nut, Wing, 1/4-20
254	30063		Screw, 1/4-20 x 1/2"
255A	34687		Air Cleaner, Starter Can be used on HM70 with diecast starter
255B	34869		Bracket, Starter air cleaner Can be used on HM70 with diecast starter
255C	34870		Instruction Decal Can be used on HM70 with diecast starter.
255	730572		Starter Muff Kit (Incl. 255A, 255B, & 255C) Can be used on HM70 with diecast starter
256A	35568		Debris Screen Can be used on HM70 with stamped steel recoil starter
256B	35569		Spacer, Screen Can be used on HM70 with stamped steel recoil starter
256C	35570		Seal, Screen Can be used on HM70 with stamped steel recoil starter
256	730573		Debris Screen Kit (Incl. 256A thru 256E) Can be used on HM70 with stamped steel recoil starter
256E	34387		Instruction Decal Can be used on HM70 with stamped steel recoil starter.
256D	650907		Screw, 5/16-18 x 1-5/8" Can be used on HM70 with stamped steel recoil starter
260	34346		Decal, Instruction
260B	31752		Decal, Air cleaner
270	32434		Contact Assy., Breaker
271	610767A		Condenser
275	610839		Magneto (w/ring gear) (12 Volt, 7 Amp) NOTE: The complete magneto is not available as an assembly. The magneto number is shown for reference purposes only. Order component parts individually, as shown in parts list. (Refer to Division 5, Section B, page 26 for breakdown)
277	33605		Electric Starter Motor (12 Volt) (Refer to Division 5, Section D, page 20 for breakdown)
278	33329D		Starter Motor Kit (110-120 Volt) This 110-120 volt starter motor kit may have been added to this engine. It can be added only if cylinder has drilled and tapped starter mounting bosses and a ring gear flywheel has been added (see #279). Refer to service number stamped on end cap of motor, or decal fo
279	610847		Flywheel (Ring gear flywheel required on engine using 110-120 Volt starter motor kits listed above.) (Use on Std. point ignition)

Ref #	Part Number	Qty	Description
279	611091		Flywheel (Minimum ring gear flywheel required on engine using 110-120 Volt starter motor kits listed above.) (Use on Solid State ignition)