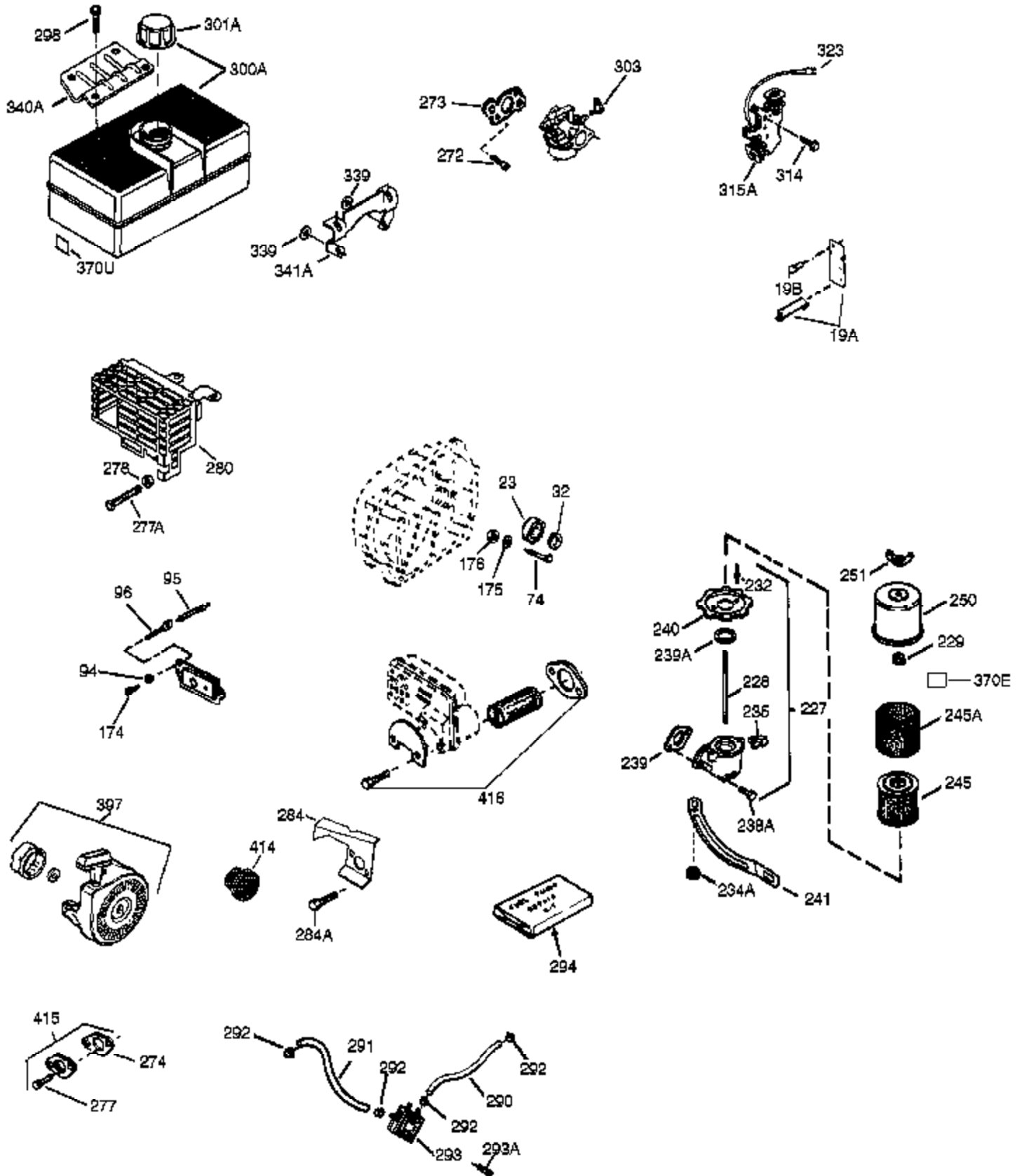


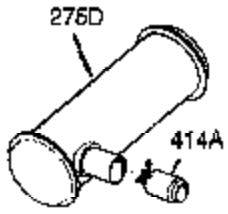
Engine Parts List #1

Ref #	Part Number	Qty	Description
1	35968A	1	Cylinder (Incl. 2, 20 & 72)
2	27652	2	Dowel Pin
15B	650494	1	Screw, 6-40 x 5/16"
15	30699C	1	Governor Rod (Incl. 15A & 15B)
15A	30700	1	Governor Yoke
16	33454	1	Governor Lever
17	29916	1	Governor Lever Clamp
18	651028	1	Screw, Torx T-15, 8-32 x 3/8"
20	35319	1	Oil Seal
25	36460	1	Blower Housing Baffle
25A	36244	1	Air Baffle
26	650561	2	Screw, 1/4-20 x 5/8"
28	30322	1	Lock Nut, 8-32
30	37302	1	Crankshaft
35	29826	1	Screw, 10-32 x 3/4"
36	29918	1	Lock Washer
37	29216	1	Lock Nut, 10-32
38	29642	1	Retaining Ring
40	35776A	1	Piston, Pin & Ring Set (Std.)
40	35777A	1	Piston, Pin & Ring Set (.010" OS)
40	35778A	1	Piston, Pin & Ring Set (.020" OS)
41	35773A	1	Piston & Pin Ass'y. (Std.) (Incl. 43)
41	35774A	1	Piston & Pin Ass'y. (.010" OS) (Incl. 43)
41	35775A	1	Piston & Pin Ass'y. (.020" OS) (Incl. 43)
42	35779	1	Ring Set (Std.)
42	35780	1	Ring Set (.010" OS)
42	35781	1	Ring Set (.020" OS)
43	35772	2	Piston Pin Retaining Ring
45	36898	1	Connecting Rod Ass'y. (Incl. 47 & 49)
47	651033	2	Connecting Rod Bolt
48	34034	2	Valve Lifter
49	36896	1	Oil Dipper
50	35375	1	Camshaft (MCR)
60	33273A	1	Blower Housing Extension
65	650128	1	Screw, 10-24 x 1/2"
69	37342	1	* Cylinder Cover Gasket
70	35376	1	Cylinder Cover (Incl. 71, 75 & 80)
71	35377	1	Crankshaft Bushing
72	27642	2	Oil Pipe Plug
75	35319	1	Oil Seal
80	31845	1	Governor Shaft
81	30590A	1	Washer
82	35378	1	Governor Gear Ass'y. (Incl. 81)
83	30588A	1	Governor Spool
84	29193	1	Retaining Ring
86	650833	7	Screw, 1/4-20 x 1-3/16"
87	650832	1	Screw, 1/4-20 x 1-11/16"
89	32589	1	Flywheel Key
90	611090	1	Flywheel
92	650880	1	Lock Washer
93	650881	1	Flywheel Nut
100	35135	1	Solid State Ignition
101	610118	1	Spark Plug Cover
102	651024	2	Solid State Mounting Stud
103	651007	2	Screw, Torx T-15, 10-24 x 15/16"
110	35589	1	Ground Wire
119	36451	1	* Cylinder Head Gasket
120	36449	1	Cylinder Head

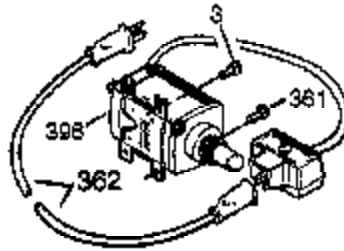
Ref #	Part Number	Qty	Description
125	27878A	1	Exhaust Valve (Std.) (Incl. 151)
125	27880A	1	Exhaust Valve (1/32" OS) (Incl. 151)
126	34035	1	Intake Valve (Std.) (Incl. 151)
126	34036	1	Intake Valve (1/32" OS) (Incl. 151)
127	650691	9	Washer
128	650690	5	Belleville Washer
130	650694A	5	Screw, 5/16-18 x 2"
130A	650727	4	Screw, 5/16-18 x 1-25/32"
130B	651031	1	Screw, 1/4-20 x 9/16"
135	33636	1	Resistor Spark Plug (RJ17LM)
139	33369	1	Governor Gear Bracket
140	650836	2	Screw, 10-24 x 1/2"
149A	35862	1	Valve Cap & Seal
149	27882	1	Valve Spring Cap
150	27881	2	Valve Spring
151	32581	2	Valve Spring Keeper
169	27896A	2	* Valve Cover Gasket
170	28423	1	Breather Body
171	28424	1	Breather Element
172	28425	1	Valve Cover
173	36675A	1	Breather Tube
173A	32446	2	Breather Tube Grommet
174	650128	2	Screw, 10-24 x 1/2"
178	29752	2	Nut & Lock Washer, 1/4-28
182	30088A	2	Screw, 1/4-28 x 1"
184	33263	1	* Carburetor Gasket
185	33877	1	Intake Pipe
207	33878	1	Choke Link
223	650378	2	Screw, Torx T-30, 5/16-18 x 1-3/32"
224	27915A	1	Intake Pipe Gasket
260	36468A	1	Blower Housing
261	650788	2	Screw, 5/16-18 x 3/4"
262	29747B	2	Screw, Torx T-40, 5/16-24 x 21/32"
264A	650802	1	Screw, 1/4-20 x 5/8"
265	33272B	1	Cylinder Head Cover
276	31588	1	Locking Plate
277	650729	2	Screw, 5/16-18 x 3-3/16"
281	33013	1	Starter Bubble Cover
282	650760	1	Screw, 8-32 x 3/8"
285	35985B	1	Starter Cup
287	29752	4	Nut & Lock Washer, 1/4-28
291	30705	1	Fuel Line
292	26460	2	Fuel Line Clamp
311A	35941	1	Oil Fill Plug (Incl. 312)
312	29673	1	"O" Ring
325	29443	1	Wire Clip
342	30063	1	Screw, Torx T-30, 1/4-20 x 1/2"
370G	35274	1	Oil Instruction Decal
370K	36695	1	Starter Decal
380	640112	1	Carburetor (Incl. 184)
390	590746	1	Rewind Starter (NOTE: This engine could have been built with 590704 starter.)
400	36452B	1	* Gasket Set (Incl. items marked PK in notes) Incl. part #'s 27272A (1), 27896A (2), 27915A (1), 29673 (1), 33263 (1), 33629 (1), 34698A (1), 37342 (1), 35317 (1), 36451 (1)
420	730225	1	SAE 30 4-Cycle Engine Oil (Quart)



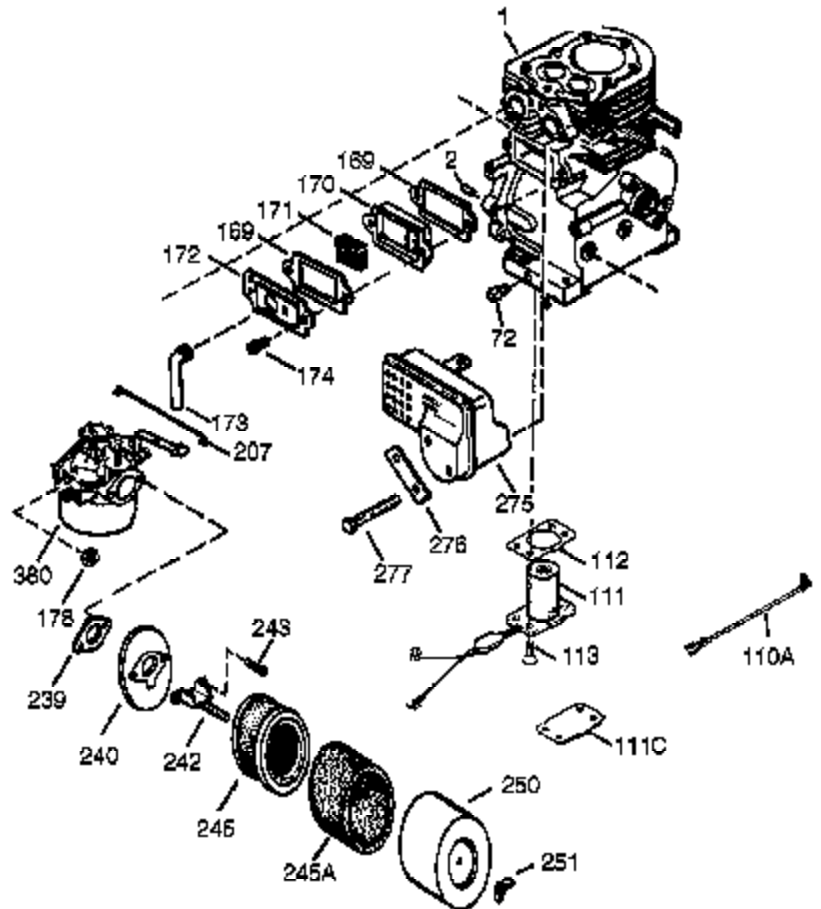
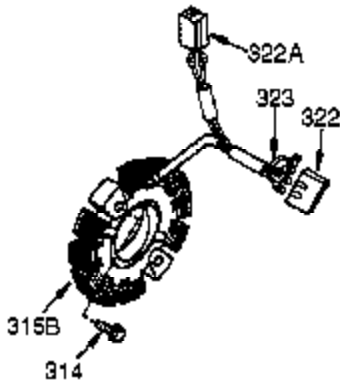
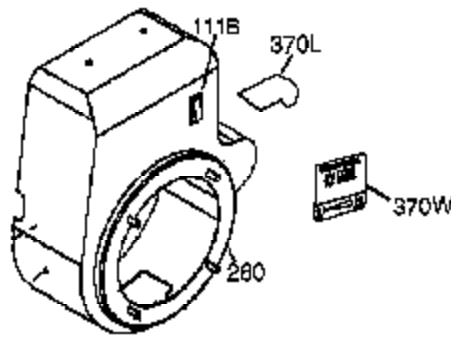
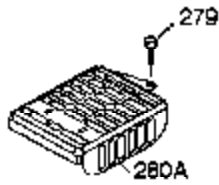
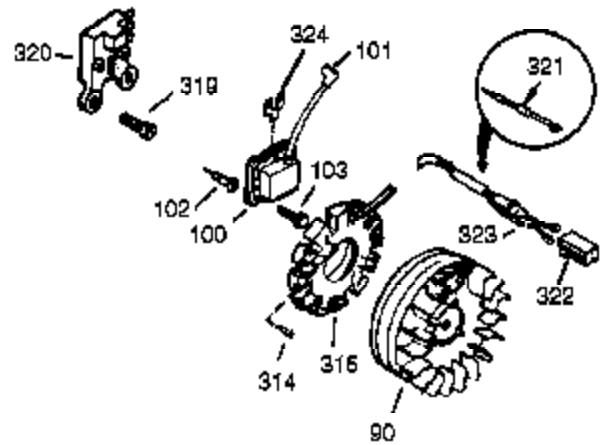
Ref #	Part Number	Qty	Description
94	651016	1	Nut, 10-32
95	30886A	1	Extension Spring
96	30845A	1	R.P.M. Adjusting Bolt
174	650128	2	Screw, 10-24 x 1/2"
239	27272A	1	* Air Cleaner Gasket
240	37104	1	Air Cleaner Bracket
245	33268	1	Air Cleaner Filter
250	33269A	1	Air Cleaner Cover
251	650513	1	Wing Nut, 1/4-20
277	650729	2	Screw, 5/16-18 x 3-3/16"
291	30705	1	Fuel Line
292	26460	2	Fuel Line Clamp



OPTIONAL MUFFLER (QUIET)



OPTIONAL 110-120 VOLT STARTER MOTOR KIT



Ref #	Part Number	Qty	Description
1	35968A	1	Cylinder (Incl. 2, 20 & 72)
2	27652	2	Dowel Pin
72	27642	2	Oil Pipe Plug
90	611090	1	Flywheel
100	35135	1	Solid State Ignition
101	610118	1	Spark Plug Cover
102	651024	2	Solid State Mounting Stud
103	651007	2	Screw, Torx T-15, 10-24 x 15/16"
110A	36993	1	Ground Wire
111B	611224	1	Rocker On/Off Switch
111	611206	1	Low Oil Sensor Switch (Incl. 112)
112	35967	1	* Low Oil Sensor Gasket
113	650950	4	Screw, Torx T-25, 10-24 x 5/8"
169	27896A	2	* Valve Cover Gasket
170	28423	1	Breather Body
171	28424	1	Breather Element
172	28425	1	Valve Cover
173	36675A	1	Breather Tube
174	650128	2	Screw, 10-24 x 1/2"
178	29752	2	Nut & Lock Washer, 1/4-28
207	33878	1	Choke Link
239	27272A	1	* Air Cleaner Gasket
240	37104	1	Air Cleaner Bracket
242	33267	1	Air Cleaner Bracket
243	28820	2	Screw, 10-32 x 1/2"
245	33268	1	Air Cleaner Filter
250	33269A	1	Air Cleaner Cover
251	650513	1	Wing Nut, 1/4-20
260	36468A	1	Blower Housing
275	34185B	1	Muffler
276	31588	1	Locking Plate
277	650729	2	Screw, 5/16-18 x 3-3/16"
324	33177	1	Terminal
380	640112	1	Carburetor (Incl. 184)