



## Engine Parts List #1

Ref #	Part Number	Qty	Description
1	34922A	1	Cylinder (Incl. 2 & 20)
2	27652	2	Dowel Pin
15A	30700	1	Governor Yoke
15B	650494	1	Screw, 6-40 x 5/16"
15	30699C	1	Governor Rod (Incl. 15A & 15B)
16	33454	1	Governor Lever
17	29916	1	Governor Lever Clamp
18	650548	1	Screw, 8-32 x 5/16"
20	32630	1	Oil Seal
25	36460	1	Blower Housing Baffle
26	650561	2	Screw, 1/4-20 x 5/8"
28	30322	1	Lock Nut, 8-32
30	35207	1	Crankshaft
35	29826	1	Screw, 10-32 x 3/4"
36	29918	1	Lock Washer
37	29216	1	Lock Nut, 10-32
38	29642	1	Retaining Ring
40	34860A	1	Piston, Pin & Ring Set (Std.)
40	34861	1	Piston, Pin & Ring Set (.010" OS)
40	34862	1	Piston, Pin & Ring Set (.020" OS)
41	34863	1	Piston & Pin Ass'y. (Std.) (Incl. 43)
41	34864	1	Piston & Pin Ass'y. (.010" OS) (Incl. 43)
41	34865	1	Piston & Pin Ass'y. (.020" OS) (Incl. 43)
42	34866A	1	Ring Set (Std.)
42	34867A	1	Ring Set (.010" OS)
42	34868A	1	Ring Set (.020" OS)
43	27888	2	Piston Pin Retaining Ring
45	32591C	1	Connecting Rod Ass'y. (Incl.46,47,49)
47	650662C	2	Connecting Rod Bolt
48	34034	2	Valve Lifter
49	34242	1	Oil Dipper
50	34143	1	Camshaft (MCR)
60	33273A	1	Blower Housing Extension
62	650760	1	Screw, 8-32 x 3/8"
63	28545	1	Grommet
65	650128	1	Screw, 10-24 x 1/2"
68	33356	1	Terminal
69	35262A	1	* Cylinder Cover Gasket
70	33367B	1	Cylinder Cover (Incl. 71, 75 & 80)
71	33368	1	Crankshaft Bushing
72	27642	2	Oil Pipe Plug
75	31950	1	Oil Seal
80	31845	1	Governor Shaft
81	30590A	1	Washer
82	30591	1	Governor Gear Ass'y. (Incl. 81)
83	30588A	1	Governor Spool
84	29193	1	Retaining Ring
86	650833	7	Screw, 1/4-20 x 1-3/16"
87	650832	1	Screw, 1/4-20 x 1-11/16"
89	32589	1	Flywheel Key
90	611091	1	Flywheel
92	650815	1	Lock Washer
93	8116	1	Flywheel Nut
100	35135	1	Solid State Ignition
101	27276	1	Spark Plug Cover
102	650872	2	Solid State Mounting Stud
103	650814	2	Screw, Torx T-15, 10-24 x 1"
108	29783	1	Crankshaft Pin

## Engine Parts List #1

Ref #	Part Number	Qty	Description
109	33245	1	Crankshaft Gear
110	35183	1	Ground Wire
119	36451	1	* Cylinder Head Gasket
120	36449	1	Cylinder Head
125	27878A	1	Exhaust Valve (Std.) (Incl. 151)
125	27880A	1	Exhaust Valve (1/32" OS) (Incl. 151)
126	34035	1	Intake Valve (Std.) (Incl. 151)
126	34036	1	Intake Valve (1/32" OS) (Incl. 151)
127	650691	9	Washer
128	650690	6	Belleville Washer
129	650727	3	Screw, 5/16-18 x 1-3/4"
130	650694A	6	Screw, 5/16-18 x 2"
131A	650713	3	Screw, 5/16-18 x 5/8"
133	650890	1	Lock Washer
134	30747	1	Shorting Clip
135	33636	1	Resistor Spark Plug (RJ17LM)
139	33369	1	Governor Gear Bracket
140	650836	2	Screw, 10-24 x 1/2"
149	27882	1	Valve Spring Cap
149A	35862	1	Valve Spring Cap
150	27881	2	Valve Spring
151	32581	2	Valve Spring Keeper
169	27896A	2	* Valve Cover Gasket
170	28423	1	Breather Body
171	28424	1	Breather Element
172	28425	1	Valve Cover
173	35350	1	Breather Tube
174	650128	2	Screw, 10-24 x 1/2"
178	29752	2	Nut & Lock Washer, 1/4-28
182	30088A	2	Screw, 1/4-28 x 1"
184	33263	1	* Carburetor To Intake Pipe Gasket
185	33877	1	Intake Pipe
207	33878	1	Throttle Link
223	650378	2	Screw, Torx T-30, 5/16-18 x 1-1/8"
224	27915A	1	* Intake Pipe Gasket
260	33375D	1	Blower Housing
261	650788	2	Screw, 5/16-18 x 3/4"
262	29747B	2	Screw, Torx T-40, 5/16-24 x 21/32"
264A	650713	1	Screw, 5/16-18 x 5/8"
265	33272B	1	Cylinder Head Cover
281	33013	1	Starter Bubble Cover
282	650760	1	Screw, 8-32 x 3/8"
285	36218	1	Starter Cup
286	35446	1	Starter Screen
287	29752	4	Nut & Lock Washer, 1/4-28
290	30705	1	Fuel Line
292	26460	2	Fuel Line Clamp
298	650665	2	Screw, 1/4-15 x 3/4"
300	34156A	1	Fuel Tank (Incl. 292 & 301)
301	35355	1	Fuel Cap
310	35941	1	Dipstick
311	27625	1	Oil Fill Plug (Incl. 312)
312	29673	2	"O" Ring
325	34246	1	Wire Clip
327	35392	1	Starter Plug
340	34155	1	Fuel Tank Bracket
341	34154	1	Fuel Tank Bracket
342	650561	1	Screw, 1/4-20 x 5/8"

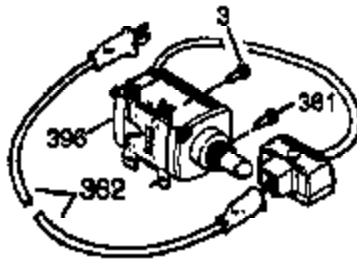
Ref #	Part Number	Qty	Description
370C	35274	1	Instruction Decal
370	36261	1	Instruction Decal
380	632242	1	Carburetor (Incl. 184)
390	590671	1	Rewind Starter (NOTE: This engine could have been built with 590704 starter. Refer to the design of the air intake louvers for part identification. Individual starter parts do not interchange.)
400	36452A	1	* Gasket Set (Incl. items marked PK i n notes) Incl. part #'s 27272A (1), 27896A (2), 27915A (1), 29673 (1), 33263 (1), 33629 (1), 34698A (1), 35262A (1), 35317 (1), 36451 (1)



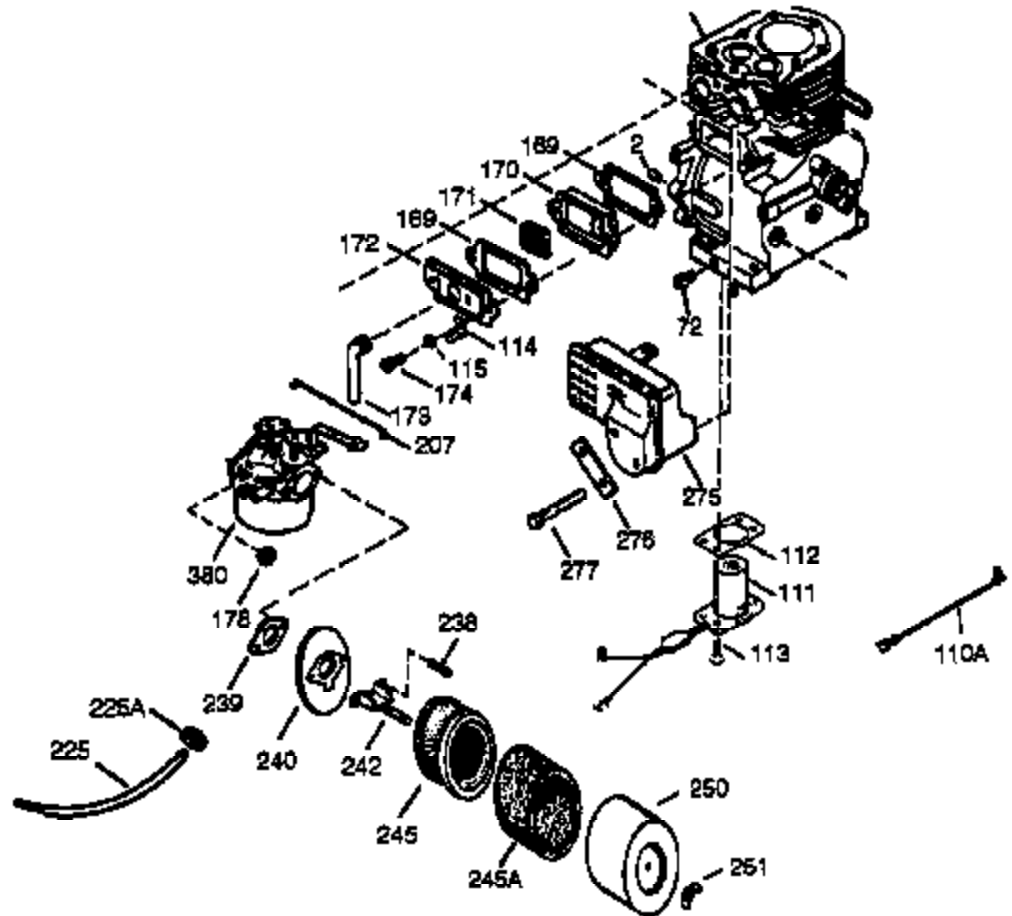
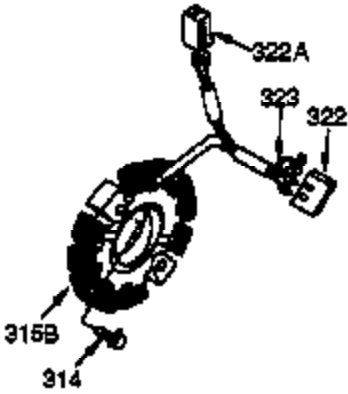
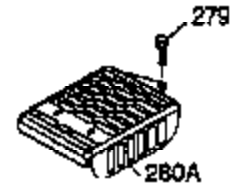
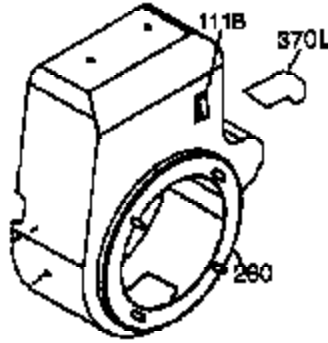
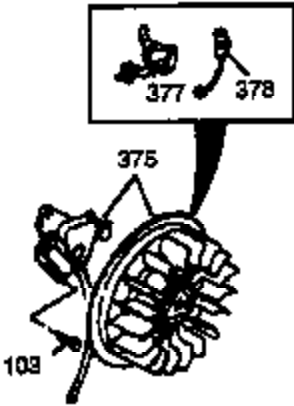
Ref #	Part Number	Qty	Description
94	33450	1	Lock Nut, 10-32
95	30886A	1	Extension Spring
96	30845A	1	R.P.M. Adjusting Bolt
108	29783	1	Crankshaft Pin
129	650727	3	Screw, 5/16-18 x 1-3/4"
131A	650713	3	Screw, 5/16-18 x 5/8"
238	28820	2	Screw, 10-32 x 1/2"
239	27272A	1	* Air Cleaner Gasket
240	33266	1	Air Cleaner Body
242	33267	1	Air Cleaner Bracket
245	33268	1	Air Cleaner Filter
250	33269A	1	Air Cleaner Cover
251	650513	1	Wing Nut, 1/4-20
290	30705	1	Fuel Line
298	650665	2	Screw, 1/4-15 x 3/4"
301	35355	1	Fuel Cap



OPTIONAL MUFFLER  
(QUIET)



OPTIONAL 110-120 VOLT  
STARTER MOTOR KIT



Ref #	Part Number	Qty	Description
	2 27652	2	Dowel Pin
	72 27642	2	Oil Pipe Plug
	90 611091	1	Flywheel
	100 35135	1	Solid State Ignition
	101 27276	1	Spark Plug Cover
	102 650872	2	Solid State Mounting Stud
	103 650814	2	Screw, Torx T-15, 10-24 x 1"
	108 29783	1	Crankshaft Pin
	129 650727	3	Screw, 5/16-18 x 1-3/4"
	131A 650713	3	Screw, 5/16-18 x 5/8"
	169 27896A	2	* Valve Cover Gasket
	170 28423	1	Breather Body
	171 28424	1	Breather Element
	172 28425	1	Valve Cover
	173 35350	1	Breather Tube
	174 650128	2	Screw, 10-24 x 1/2"
	178 29752	2	Nut & Lock Washer, 1/4-28
	207 33878	1	Throttle Link
	238 28820	2	Screw, 10-32 x 1/2"
	239 27272A	1	* Air Cleaner Gasket
	240 33266	1	Air Cleaner Body
	242 33267	1	Air Cleaner Bracket
	245 33268	1	Air Cleaner Filter
	250 33269A	1	Air Cleaner Cover
	251 650513	1	Wing Nut, 1/4-20
	260 33375D	1	Blower Housing
	380 632242	1	Carburetor (Incl. 184)