

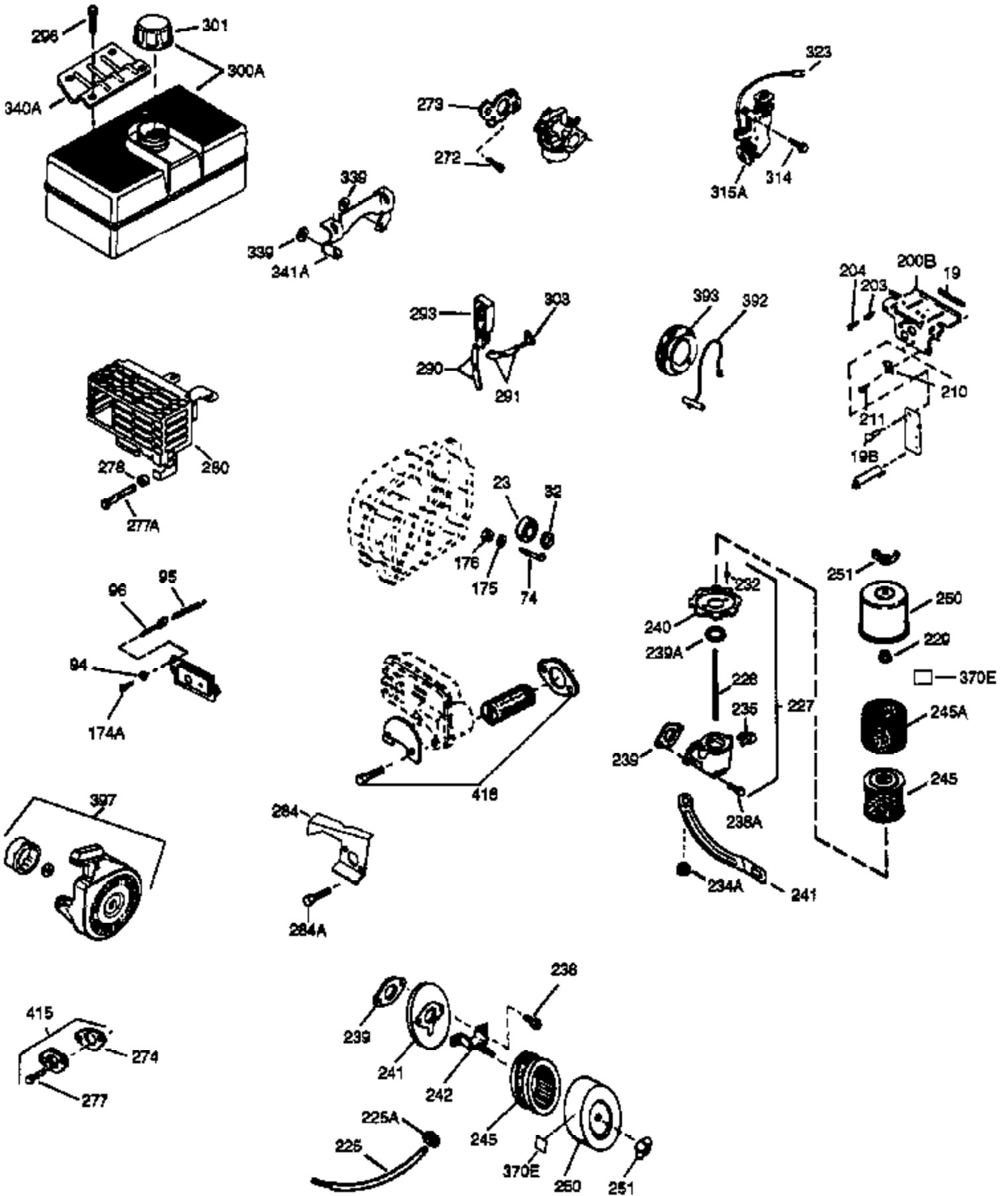
Engine Parts List #1

Ref #	Part Number	Qty	Description
	1 35371		Cylinder (Cl liner)(3-5/16")(Incl.2,2 0 & 72)
	2 27652		Pin, Dowel
	3 650820		Screw, 1/4-20 x 1/2"
	4 34171		Nipple, Pipe
	5 30969		Cap, Oil drain
	15A 30700		Yoke, Governor
	15 30699C		Rod Assy., Governor (Incl. 15A & 15B)
	15B 650494		Screw, 6-40 x 5/16"
	16 33454		Governor Lever Assy.
	17 29916		Clamp, Governor lever
	18 650548		Screw, 8-32 x 5/16"
	20 35319		Seal, Oil
	25 29536		Blower Housing Baffle (Without electric starter knockout) (Use as required)
	25 35256A		Blower Housing Baffle (With electric starter knockout) (Use as required)
	25 35326		Baffle, Blower housing
	26 650561		Screw, 1/4-20 x 5/8"
	30 36245		Crankshaft
	35 29826		Screw, 10-32 x 3/4"
	36 29918		Lockwasher, #8 E.T.
	37 29216		Locknut, 10-32
	37A 30322		Nut & Lockwasher, 8-32
	38 29642		Ring, Retaining
	40 34860A		Piston, Pin & Ring Set (Std.)(3-5/16")
	40 34861A		Piston, Pin & Ring Set (.010" OS)
	40 34862A		Piston, Pin & Ring Set (.020" OS)
	41 34863		Piston & Pin Ass'y. (Std.)(3-5/16")(I ncl.43)
	41 34864		Piston & Pin Ass'y. (.010" OS) (Incl. 43)
	41 34865		Piston & Pin Ass'y. (.020" OS) (Incl. 43)
	42 34866A		Ring Set (Std.) (3-5/16" Bore)
	42 34867A		Ring Set (.010" OS)
	42 34868A		Ring Set (.020" OS)
	43 27888		Ring, Piston Pin retaining
	45 35373A		Rod Assy., Connecting (Incl. 46, 47 & 49)
	46 650908		Bolt, Connecting rod
	47 650882		Connecting Rod Bolt (2 pcs. on early Specs.)
	48 34034		Lifter, Valve
	49 35374		Dipper, Oil
	50 35375		Camshaft (MCR)
	60 33273A		Extension, Blower housing
	61 34126		Bracket, Grommet mounting
	62 650760		Screw, 8-32 x 3/8"
	63 28545		Grommet, Plastic
	64 650802		Screw, 1/4-20 x 5/8"
	65 650128		Screw, 10-24 x 1/2"
	69 35262		* Gasket, Flange
	70 35376		Cover, Cylinder (Incl. 71, 75 & 80)
	71 35377		Bushing, Crankshaft
	75 35319		Seal, Oil
	80 31845		Shaft, Mechanical governor
	81 30590A		Washer, Flat
	82 35378		Gear Assy., Governor (Incl. 81)
	83 30588A		Spool, Governor
	84 29193		Ring, Retaining
	86 650833		Screw, 1/4-20 x 1-3/16 (Use as requir ed)
	87 650832		Screw, 1/4-20 x 1-11/16" (Use as requ ired)

Ref #	Part Number	Qty	Description
	89 32589		Key, Flywheel
	90 611091		Flywheel (w/ring gear)
	92 650880		Washer, Lock
	93 650881		Nut, 5/8-18
	100 35135		Solid State Assy.
	101 610118		Cover, Spark plug
	102 650872		Stud, Solid state mounting
	103 650814		Screw, Torx T-15, 10-24 x 1"
	108 29783		Pin, Crankshaft gear (Only serviceable when gear is pinned to crank.)
	109 33245		Gear, Crankshaft
	110 35253		Ground Wire
	119 34923A		* Gasket, Cylinder head
	120 34030A		Head, Cylinder
	125 27878A		Exhaust Valve (Std.) (Incl. 151)
	125 27880A		Exhaust Valve (1/32" OS) (Incl. 151)
	126 34035		Intake Valve (Std.) (Incl. 151)
	126 34036		Intake Valve (1/32" OS) (Incl. 151)
	127 650691		Washer (Do not use with No. 6021A scr ew.)
	128 650690		Washer, Belleville (Use as required)
	129 650727		Screw, 5/16-18 x 1-3/4 (Use as required)
	130 6021A		Screw, 5/16-18 x 1-1/2" (Use as required, but do not use No. 650691 washer.)
	130 650711		Screw, 5/16-18 x 1-5/8" (Use as required) (Can use 6021A but discard 650691 washer.)
	130 650694A		Screw, 5/16-18 x 2" (Use as required)
	131A 650713		Screw, 5/16-18 x 5/8"
	131 650737		Screw, 1/4-20 x 1/2" (Use as required)
	131 650738		Screw, 1/4-20 x 5/8 (Use as required)
	133 650890		Washer, Internal Lock
	135 35395		Resistor Spark Plug
	139 33369		Bracket, Governor gear
	140 650836		Screw, 10-24 x 1/2"
	149A 35862		Seal Assy., Intake valve
	150 27881		Spring, Valve
	151 32581		Cap, Lower valve spring
	169 27896A		* Gasket, Breather
	170 28423		Body, Breather
	171 28424		Element, Breather
	172 28425		Cover, Breather
	173 35350		Tube, Breather
	174 650128		Screw, 10-24 x 1/2"
	178 29752		Nut & Lockwasher, 1/4-28
	182 30088A		Screw, 1/4-28 x 1"
	183 34587		Bracket, Choke
	184 33263		* Gasket, Carburetor
	185 33877		Pipe, Intake
	186 34667		Link, Governor lever
	200 34664		Control Bracket (Incl. 19, 203, 204, 206 & 209)
	203 31342		Spring, Compression
	204 650549		Screw, 5-40 x 7/16"
	206 610973		Terminal Assy.
	207 33878		Link, Governor lever-to-throttle
	209 650821		Screw, 10-32 x 1/2"
	210 27793		Clip, Conduit
	211 28942		Screw, 10-32 x 3/8"

Ref #	Part Number	Qty	Description
219	34586		Rod, Choke
220	35438		Knob, Control
222	28820		Screw, 10-32 x 1/2"
222A			Pop Rivet (Can be purchased locally)
223	650378		Screw, Torx T-30, 5/16-18 x 1-1/8"
224	27915A		* Gasket, Intake pipe
260	35447		Blower Housing (For electric starter)
261	650788		Screw, 5/16-18 x 3/4"
262	29747B		Screw, 5/16-24 x 21/32"
265	33272B		Cover, Cylinder head
275C	35056		Muffler
275B	391026		Muffler (Incl. 284, 284A & 416) (This spark arrester muffler can be used on any model.)
276	31588		Plate, Muffler locking
276	35741		Plate, Muffler locking
277	650729		Screw, 5/16-18 x 3-3/16" (Use as required)
277	651002		Screw, 5/16-18 x 4-1/4" (Use as required)
281	33013		Cover, Starter bubble
282	650760		Screw, 8-32 x 7/16"
285	35287		Cup, Starter
286	35446		Screen, Starter
287	29752		Nut, 1/4-28
290	29774		Fuel Line (Braided 8-1/4")(21cm)(As required)
290	30962		Fuel Line (Braided 32")(80cm)(As required)
291	30705		Fuel Line (Braided 16")(40cm)(As required)
292	26460		Fuel Line Clamp (Use as required)
294	35791		Fuel Pump Repair Kit NOTE: 34385 and 33715 (WIP)pumps are replaced by 35813 and 35800 (WIP) pumps. The 33010 (3000 series) repair kit is still available. The 35791 repair kit is used with the 35813 and 35800 fuel pumps.
295	32961		Valve, Fuel shut-off
298	650665		Screw, 1/4-15 x 7/8"
300	34160A		Fuel Tank (Incl. 292 & 301) NOTE: These tanks were built with different size fuel inlet openings. Tanks with the 1-3/16" I.D. opening use fuel cap 34210. Tanks with the 1-1/2" I.D. opening use fuel cap 35355.
301A	410144B		Fuel Cap (White Plastic)(Standard) (Use as required) (1.5" I.D.)
301A	33032		Fuel Cap (Red Plastic) (Spurt Resistant, Low Profile) (Use as required) (1.5" I.D.)
301A	34210		Fuel Cap (Red Plastic) (Spurt Resistant, High Profile) (Use as required) (1.5" I.D.)
305	33893A		Oil Fill Tube
307	33590		"O" Ring
310	34011A		Dipstick (Incl. 307)
325A	29443		Clip, Fuel line
327	35392		Plug, Starter
336	650765		Screw, 10-32 x 1/2"
337	35057A		Cover, Carburetor (Incl. 329)
338A	31291		Plug, Cover
338	28942		Screw, Sems 10-32 x 3/8"
340	34154		Plate, Upper fuel tank mtg.
341	34155		Bracket, Lower fuel tank mtg.
342	650561		Screw, 1/4-20 x 5/8"
350	570682		Primer Assy.

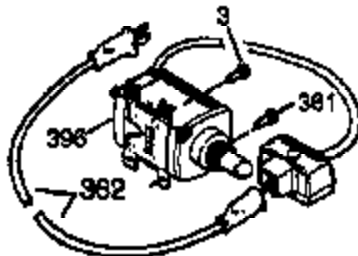
Ref #	Part Number	Qty	Description
351	32180C		Line, Primer
356	650168		Washer
364	33377		Bracket, Carburetor cover mtg.
365	650767		Screw, 8-32 x 27/64"
370	35274		Decal, Instruction
379	631021		Inlet Needle, Seat & Clip Assy.
380	632370		Carburetor (Incl. 184 & 379) (Refer to Division 5, Section A, page 200 for breakdown or Fiche18B, Grid E-13)
390	590630		Rewind Starter (Refer to Division 5, Section C, page 30 for breakdown or Fiche 18B, Grid G-1)
400	33279G		* Gasket Set (Incl. items marked *)
414	33323		Opt.Muffler Screen (Mini-Bike applica tion)
418	33700		Cover & Tube, Muffler (use as require d)
419	650578		Screw, 8-18 x 3/8" (use as required)
420	730225		SAE 30 4-Cycle Engine Oil (Quart)
421	730226		SAE 5W30 4-Cycle Engine Oil (Quart)
422	35824		Muffler Optional
1159	30312		Screw, 10-32 x 1/2"
1160	28820		Screw, 10-32 x 1/2"
1160	27070		Lockwasher
1185	33816		Hub & Screen Assy.



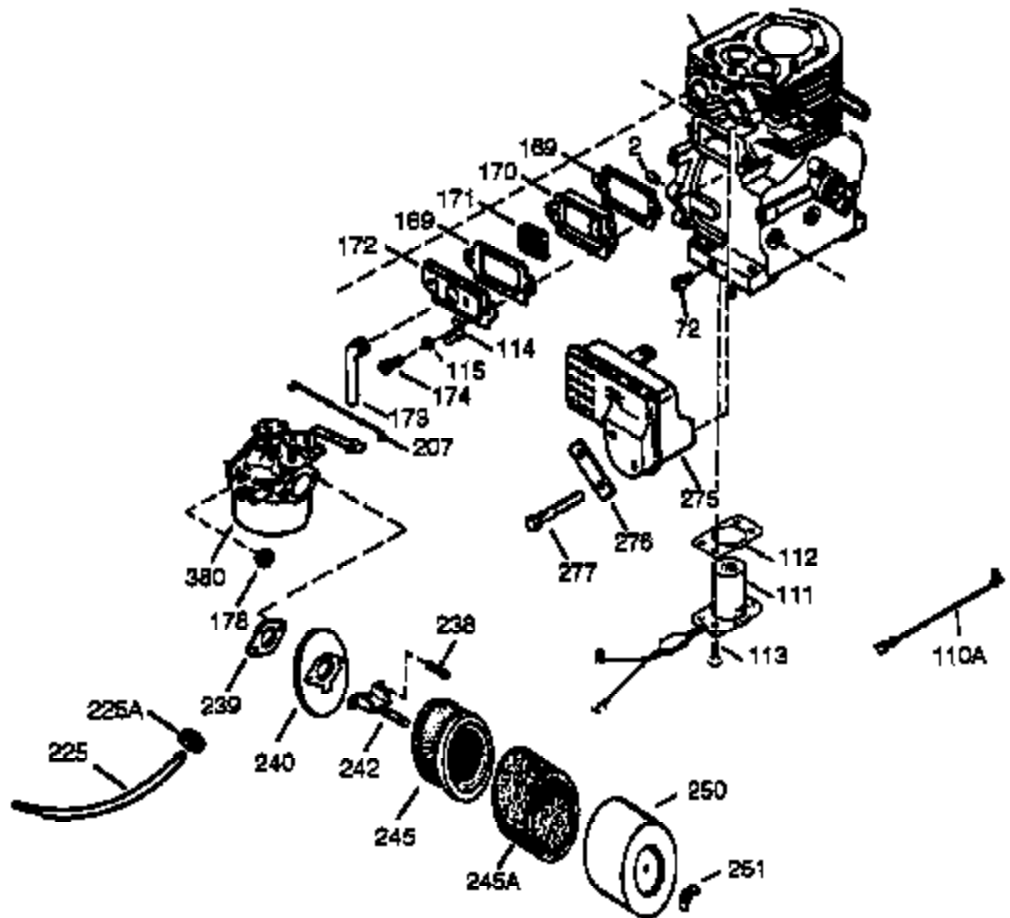
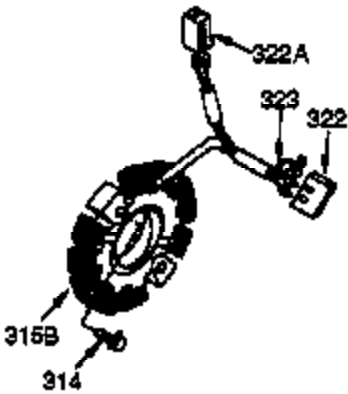
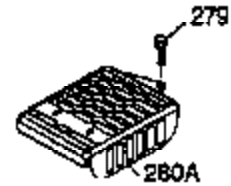
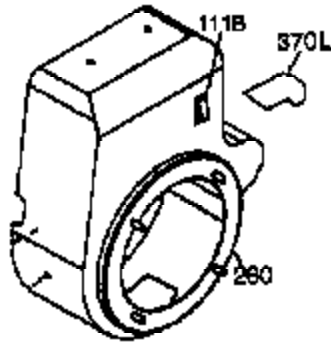
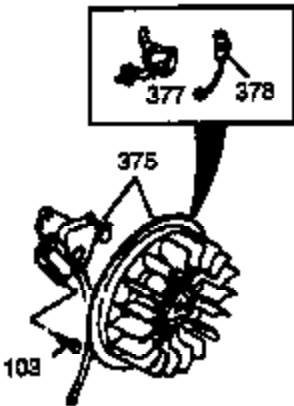
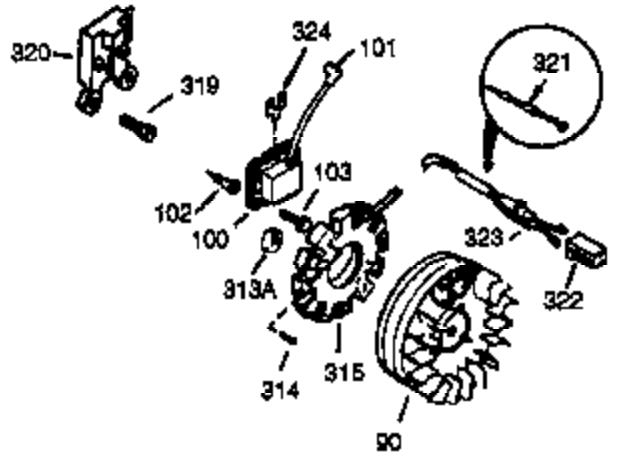
Ref #	Part Number	Qty	Description
37A	30322		Nut & Lockwasher, 8-32
64	650802		Screw, 1/4-20 x 5/8"
108	29783		Pin, Crankshaft gear (Only serviceable when gear is pinned to crank.)
129	650727		Screw, 5/16-18 x 1-3/4 (Use as required)
131A	650713		Screw, 5/16-18 x 5/8"
131	650737		Screw, 1/4-20 x 1/2" (Use as required)
131	650738		Screw, 1/4-20 x 5/8 (Use as required)
200B	730152		Control Bracket (Incl.1158-1171)(As required)
203	31342		Spring, Compression
204	650549		Screw, 5-40 x 7/16"
210	27793		Clip, Conduit
211	28942		Screw, 10-32 x 3/8"
222A			Pop Rivet (Can be purchased locally)
227	730127		Air Cleaner Ass'y. (Incl. 238, 239, 242, 246, 250) (Use as required)
274	35865		Gasket, Exhaust
275B	391026		Muffler (Incl. 284, 284A & 416) (This spark arrester muffler can be used on any model.)
277	650729		Screw, 5/16-18 x 3-3/16" (Use as required)
277	651002		Screw, 5/16-18 x 4-1/4" (Use as required)
290	29774		Fuel Line (Braided 8-1/4")(21cm)(As required)
290	30962		Fuel Line (Braided 32")(80cm)(As required)
291	30705		Fuel Line (Braided 16")(40cm)(As required)
293	33715		Impulse Fuel Pump NOTE: 34385 and 33715 (WIP)pumps are replaced by 35813 and 35800 (WIP) pumps. The 33010 (3000 series) repair kit is still available. The 35791 repair kit is used with the 35813 and 35800 fuel pumps.
298	650665		Screw, 1/4-15 x 7/8"
301A	410144B		Fuel Cap (White Plastic)(Standard) (Use as required) (1.5" I.D.)
301A	33032		Fuel Cap (Red Plastic) (Spurt Resistant, Low Profile) (Use as required) (1.5" I.D.)
301A	34210		Fuel Cap (Red Plastic) (Spurt Resistant, High Profile) (Use as required) (1.5" I.D.)
303	32958		Fitting, Fuel
337	35057A		Cover, Carburetor (Incl. 329)
338A	31291		Plug, Cover
379	631021		Inlet Needle, Seat & Clip Assy.
414	33323		Opt.Muffler Screen (Mini-Bike application)
415	730130		Kit, Exhaust adapter (Incl. 274 & 277)
418	33700		Cover & Tube, Muffler (use as required)
419	650578		Screw, 8-18 x 3/8" (use as required)
422	35824		Muffler Optional
1159	30312		Screw, 10-32 x 1/2"
1160	28820		Screw, 10-32 x 1/2"
1160	27070		Lockwasher
1185	33816		Hub & Screen Assy.



OPTIONAL MUFFLER
(QUIET)



OPTIONAL 110-120 VOLT
STARTER MOTOR KIT



Ref #	Part Number	Qty	Description
	2 27652		Pin, Dowel
	3 650820		Screw, 1/4-20 x 1/2"
	37A 30322		Nut & Lockwasher, 8-32
	64 650802		Screw, 1/4-20 x 5/8"
	90 611091		Flywheel (w/ring gear)
	100 35135		Solid State Assy.
	101 610118		Cover, Spark plug
	102 650872		Stud, Solid state mounting
	103 650814		Screw, Torx T-15, 10-24 x 1"
	108 29783		Pin, Crankshaft gear (Only serviceable when gear is pinned to crank.)
	129 650727		Screw, 5/16-18 x 1-3/4 (Use as required)
	131A 650713		Screw, 5/16-18 x 5/8"
	131 650737		Screw, 1/4-20 x 1/2" (Use as required)
	131 650738		Screw, 1/4-20 x 5/8 (Use as required)
	169 27896A		* Gasket, Breather
	170 28423		Body, Breather
	171 28424		Element, Breather
	172 28425		Cover, Breather
	173 35350		Tube, Breather
	174 650128		Screw, 10-24 x 1/2"
	178 29752		Nut & Lockwasher, 1/4-28
	207 33878		Link, Governor lever-to-throttle
	222A		Pop Rivet (Can be purchased locally)
	260 35447		Blower Housing (For electric starter)
	275B 391026		Muffler (Incl. 284, 284A & 416) (This spark arrester muffler can be used on any model.)
	276 31588		Plate, Muffler locking
	276 35741		Plate, Muffler locking
	277 650729		Screw, 5/16-18 x 3-3/16" (Use as required)
	277 651002		Screw, 5/16-18 x 4-1/4" (Use as required)
	301A 410144B		Fuel Cap (White Plastic)(Standard) (Use as required) (1.5" I.D.)
	301A 33032		Fuel Cap (Red Plastic) (Spurt Resistant, Low Profile) (Use as required) (1.5" I.D.)
	301A 34210		Fuel Cap (Red Plastic) (Spurt Resistant, High Profile) (Use as required) (1.5" I.D.)
	313A 33876		Gasket, Stator (Used only on Std. point ign.)
	337 35057A		Cover, Carburetor (Incl. 329)
	338A 31291		Plug, Cover
	377 30547A		Breaker Points (Use with Std. point ign.)
	379 631021		Inlet Needle, Seat & Clip Assy.
	380 632370		Carburetor (Incl. 184 & 379) (Refer to Division 5, Section A, page 200 for breakdown or Fiche18B, Grid E-13)
	414 33323		Opt.Muffler Screen (Mini-Bike application)
	418 33700		Cover & Tube, Muffler (use as required)
	419 650578		Screw, 8-18 x 3/8" (use as required)
	422 35824		Muffler Optional
	1159 30312		Screw, 10-32 x 1/2"
	1160 28820		Screw, 10-32 x 1/2"
	1160 27070		Lockwasher
	1185 33816		Hub & Screen Assy.