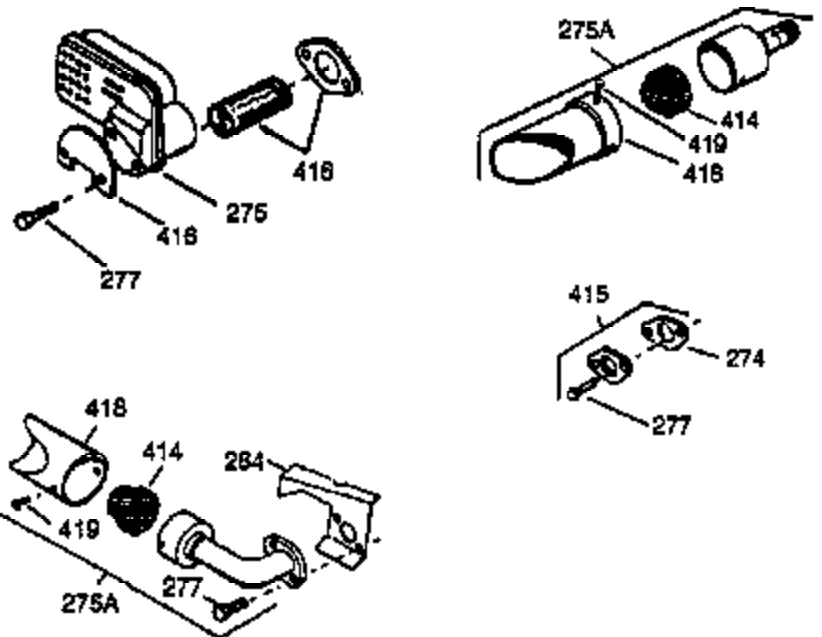


| Ref # | Part Number | Qty | Description  |
|-------|-------------|-----|--|
| 1     | 34096C      |     | Cylinder (Cl liner)(3-5/16")(Incl.2,20,41,43,72 & 119)                         |
| 2     | 27652       |     | Pin, Dowel   |
| 15B   | 650494      |     | Screw, 6-40 x 5/16"  |
| 15    | 30699C      |     | Rod Assy., Governor (Incl. 15A & 15B)  |
| 15A   | 30700       |     | Yoke, Governor   |
| 16    | 33454       |     | Governor Lever Assy.   |
| 17    | 29916       |     | Clamp, Governor lever  |
| 18    | 650548      |     | Screw, 8-32 x 5/16"  |
| 20    | 32630       |     | Seal, Oil  |
| 25    | 29536       |     | Blower Housing Baffle (Without electric starter knockout)<br>(Use as required) |
| 25    | 35256A      |     | Blower Housing Baffle (With electric starter knockout) (Use<br>as required)    |
| 26    | 650561      |     | Screw, 1/4-20 x 5/8"   |
| 30    | 33624A      |     | Crankshaft (Incl. 108 & 109)   |
| 35    | 29826       |     | Screw, 10-32 x 3/4"  |
| 36    | 29918       |     | Lockwasher, #8 E.T.  |
| 37    | 29216       |     | Locknut, 10-32   |
| 37A   | 30322       |     | Nut & Lockwasher, 8-32   |
| 38    | 29642       |     | Ring, Retaining  |
| 40    | 34543       |     | Piston, Pin & Ring Set (Std.) (3-3/16 ")                                       |
| 40    | 34544       |     | Piston, Pin & Ring Set (.010" OS)  |
| 40    | 34545       |     | Piston, Pin & Ring Set (.020" OS)  |
| 41    | 34031B      |     | Piston & Pin Ass'y. (Std.)(3-3/16")(I ncl.43)                                  |
| 41    | 34032B      |     | Piston & Pin Ass'y. (.010" OS) (Incl. 43)                                      |
| 41    | 34033B      |     | Piston & Pin Ass'y. (.020" OS) (Incl. 43)                                      |
| 42    | 34037       |     | Ring Set (Std.) (3-3/16" Bore)   |
| 42    | 34038       |     | Ring Set (.010" OS)  |
| 42    | 34039       |     | Ring Set (.020" OS)  |
| 43    | 27888       |     | Ring, Piston Pin retaining   |
| 45    | 32591C      |     | Rod Assy., Connecting (Incl. 46, 47 & 49)                                      |
| 46    | 650662C     |     | Bolt, Connecting rod (2 pieces)  |
| 47    | 650662C     |     | Bolt, Connecting rod (2 pieces)  |
| 48    | 34034       |     | Lifter, Valve  |
| 49    | 34242       |     | Dipper, Oil  |
| 50    | 34143       |     | Camshaft (MCR)   |
| 60    | 33273A      |     | Extension, Blower housing  |
| 62    | 650760      |     | Screw, 8-32 x 3/8"   |
| 63    | 28545       |     | Grommet, Plastic   |
| 65    | 650128      |     | Screw, 10-24 x 1/2"  |
| 69    | 35262       |     | * Gasket, Flange   |
| 70    | 33626B      |     | Cyl.Cover (Incl.71,75,80,179,180,220, 221)                                     |
| 72    | 27642       |     | Plug, Oil drain  |
| 75    | 33625       |     | Seal, Oil  |
| 80    | 31845       |     | Shaft, Mechanical governor   |
| 81    | 30590A      |     | Washer, Flat   |
| 82    | 30591       |     | Gear Assy., Governor (Incl. 81)  |
| 83    | 30588A      |     | Spool, Governor  |
| 84    | 29193       |     | Ring, Retaining  |
| 86    | 650833      |     | Screw, 1/4-20 x 1-3/16 (Use as requir ed)                                      |
| 87    | 650832      |     | Screw, 1/4-20 x 1-11/16" (Use as requ ired)                                    |
| 89    | 32589       |     | Key, Flywheel  |
| 92    | 650815      |     | Washer, Belleville   |
| 93    | 8116        |     | Nut, Hex   |
| 101   | 610118      |     | Cover, Spark plug  |
| 103   | 650516      |     | Screw, 1/4-20 x 1-1/8"   |

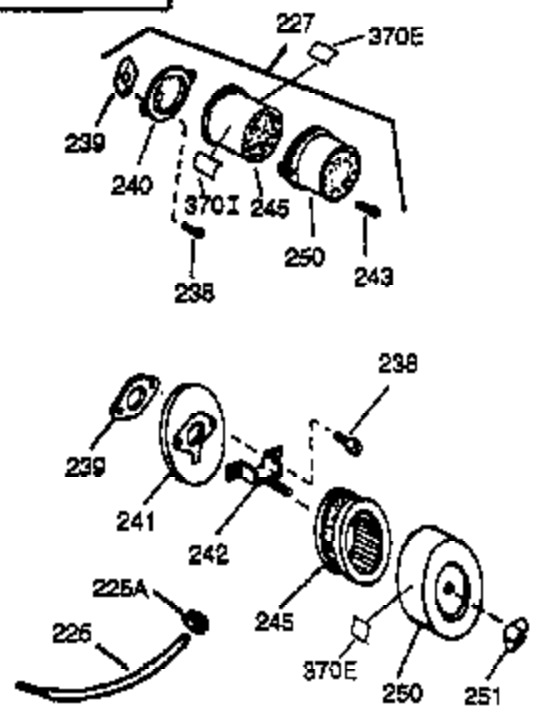
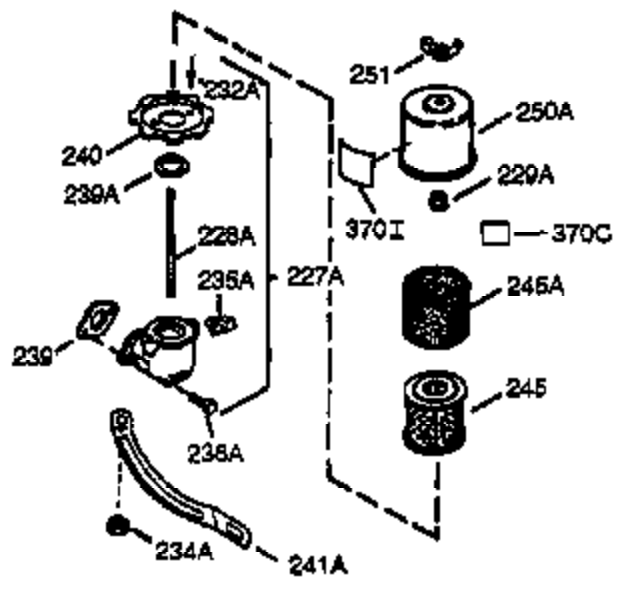
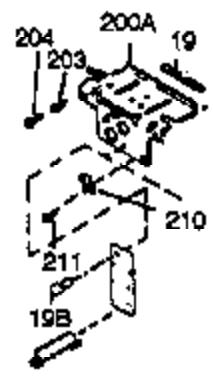
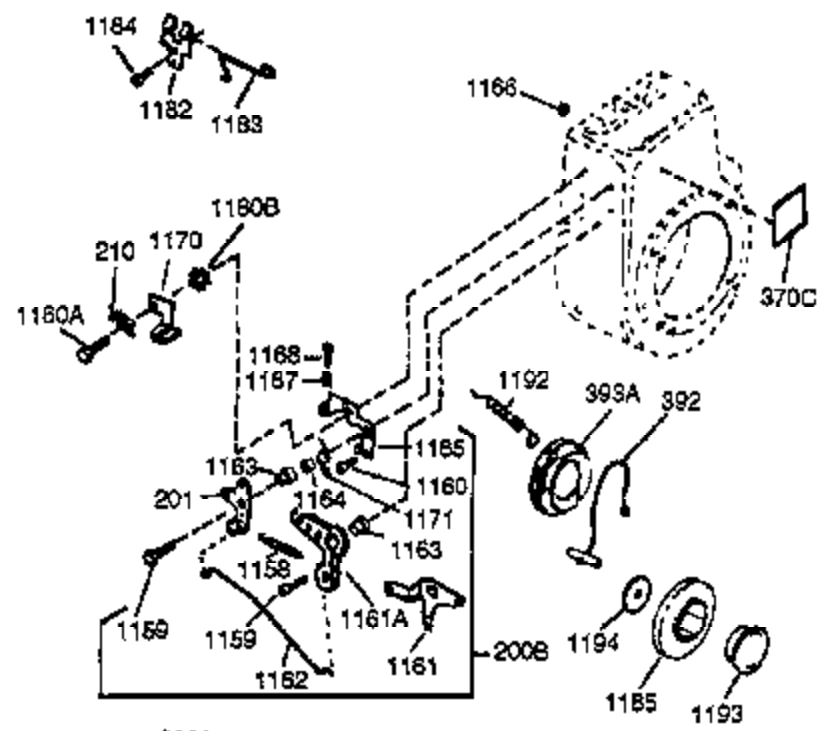
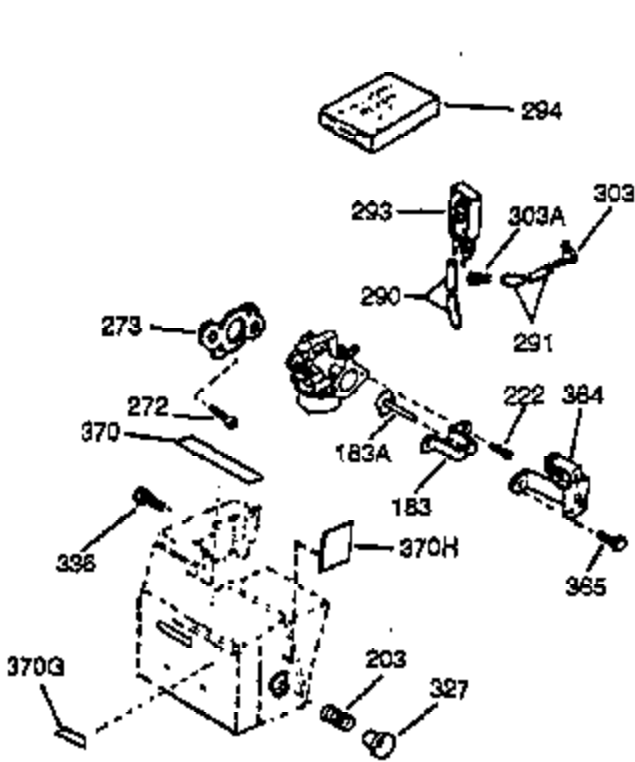
## Engine Parts List #1

| Ref # | Part Number | Qty | Description   |
|-------|-------------|-----|---|
| 108   | 29783       |     | Pin, Crankshaft gear (Only serviceable when gear is pinned to crank.)                 |
| 109   | 33245       |     | Gear, Crankshaft  |
| 110   | 30831       |     | Ground Wire (Incl. 156)   |
| 119   | 34041A      |     | * Gasket, Cylinder head   |
| 120   | 34030A      |     | Head, Cylinder  |
| 125   | 27878A      |     | Exhaust Valve (Std.) (Incl. 151)  |
| 125   | 27880A      |     | Exhaust Valve (1/32" OS) (Incl. 151)  |
| 126   | 34035       |     | Intake Valve (Std.) (Incl. 151)   |
| 126   | 34036       |     | Intake Valve (1/32" OS) (Incl. 151)   |
| 127   | 650691      |     | Washer (Do not use with No. 6021A scr ew.)  |
| 128   | 650690      |     | Washer, Belleville (Use as required)  |
| 129   | 650727      |     | Screw, 5/16-18 x 1-3/4 (Use as required)  |
| 130   | 6021A       |     | Screw, 5/16-18 x 1-1/2" (Use as required, but do not use No. 650691 washer.)          |
| 130   | 650711      |     | Screw, 5/16-18 x 1-5/8 " (Use as required) (Can use 6021A but discard 650691 washer.) |
| 130   | 650694A     |     | Screw, 5/16-18 x 2" (Use as required)   |
| 131   | 650737      |     | Screw, 1/4-20 x 1/2" (Use as required )   |
| 131   | 650738      |     | Screw, 1/4-20 x 5/8 (Use as required)   |
| 131A  | 650713      |     | Screw, 5/16-18 x 5/8"   |
| 133   | 650890      |     | Washer, Internal Lock   |
| 135   | 33636       |     | Resistor Spark Plug   |
| 139   | 33369       |     | Bracket, Governor gear  |
| 140   | 650836      |     | Screw, 10-24 x 1/2"   |
| 149   | 27882       |     | Cap, Upper valve spring   |
| 150   | 27881       |     | Spring, Valve   |
| 151   | 32581       |     | Cap, Lower valve spring   |
| 169   | 27896A      |     | * Gasket, Breather  |
| 170   | 28423       |     | Body, Breather  |
| 171   | 28424       |     | Element, Breather   |
| 172   | 28425       |     | Cover, Breather   |
| 173   | 35350       |     | Tube, Breather  |
| 174   | 650128      |     | Screw, 10-24 x 1/2"   |
| 182   | 650517      |     | Screw, 1/4-20 x 27/32"  |
| 184   | 33263       |     | * Gasket, Carburetor  |
| 186   | 33372       |     | Link, Governor lever-to-bellcrank   |
| 187A  | 30196       |     | Screw, 5/16-18 x 3/4"   |
| 187   | 34349A      |     | Flange, Carburetor mounting   |
| 207   | 34350       |     | Link, Governor lever-to-throttle  |
| 222A  |             |     | Pop Rivet (Can be purchased locally)  |
| 224   | 27915A      |     | * Gasket, Intake pipe   |
| 250B  | 33269A      |     | Cover, Air cleaner  |
| 260   | 33375D      |     | Blower Housing (For electric starter)   |
| 261   | 650788      |     | Screw, 5/16-18 x 3/4"   |
| 262   | 29747B      |     | Screw, 5/16-24 x 21/32"   |
| 265   | 33272B      |     | Cover, Cylinder head  |
| 276   | 35741       |     | Plate, Muffler locking  |
| 277   | 650729      |     | Screw, 5/16-18 x 3-3/16" (Use as required)  |
| 277   | 651002      |     | Screw, 5/16-18 x 4-1/4" (Use as required)   |
| 285A  | 33662       |     | Hub & Screen Assy.  |
| 287   | 29752       |     | Nut, 1/4-28   |
| 290   | 29774       |     | Fuel Line (Braided 8-1/4")(21cm)(As required)   |
| 290   | 30962       |     | Fuel Line (Braided 3/2")(80cm)(As required)   |
| 291   | 30705       |     | Fuel Line (Braided 1/2")(40cm)(As required)   |
| 292   | 26460       |     | Fuel Line Clamp (Use as required)   |

| Ref # | Part Number | Qty | Description  |
|-------|-------------|-----|--|
| 298   | 650665      |     | Screw, 1/4-15 x 7/8"   |
| 300   | 34156A      |     | Fuel Tank (Incl. 292 & 301) NOTE: These tanks were built with different size fuel inlet openings. Tanks with the 1-3/16" I.D. opening use fuel cap 34210. Tanks with the 1-1/2" I.D. opening use fuel cap 35355. |
| 301A  | 410144B     |     | Fuel Cap (White Plastic)(Standard) (Use as required) (1.5" I.D.)   |
| 301A  | 33032       |     | Fuel Cap (Red Plastic) (Spurt Resistant, Low Profile) (Use as required) (1.5" I.D.)  |
| 301A  | 34210       |     | Fuel Cap (Red Plastic) (Spurt Resistant, High Profile) (Use as required) (1.5" I.D.)   |
| 301A  | 35355       |     | Fuel Cap (Red Plastic)(1.75" I.D.)   |
| 306   | 29673       |     | * Gasket, Oil filler   |
| 310   | 31297       |     | Dipstick (Incl. 307)   |
| 310B  | 35941       |     | Dipstick (Incl. 306)   |
| 338A  | 31291       |     | Plug, Cover  |
| 340   | 34154       |     | Plate, Upper fuel tank mtg.  |
| 341   | 34155       |     | Bracket, Lower fuel tank mtg.  |
| 342   | 650561      |     | Screw, 1/4-20 x 5/8"   |
| 361   | 30063       |     | Screw, Torx T-30, 1/4-20 x 1/2"  |
| 370A  | 550223      |     | Decal, Name  |
| 370   | 34346       |     | Decal, Instruction   |
| 370   | 35274       |     | Decal, Instruction   |
| 379   | 631725      |     | Inlet Needle, Seat & Clip Assy.  |
| 380   | 632054      |     | Carburetor (Incl. 184 & 379) (Refer to Division 5, Section A, page 164 for breakdown or Fiche 18B, Grid F-6)   |
| 395   | 35763A      |     | Electric Starter Motor (12 Volt) (Refer to service number stamped on end cap of motor, or on decal, for identification. Refer to Division 5, Section D for breakdown or Fiche 18B, Grid G-6)                     |
| 400   | 33279G      |     | * Gasket Set (Incl. items marked *)  |
| 420   | 730225      |     | SAE 30 4-Cycle Engine Oil (Quart)  |
| 421   | 730226      |     | SAE 5W30 4-Cycle Engine Oil (Quart)  |
| 422   | 35824       |     | Muffler Optional   |



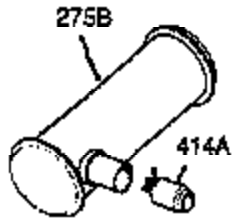
| Ref # | Part Number | Qty | Description  |
|-------|-------------|-----|--|
| 37A   | 30322       |     | Nut & Lockwasher, 8-32   |
| 62    | 650760      |     | Screw, 8-32 x 3/8"   |
| 63    | 28545       |     | Grommet, Plastic   |
| 68    | 33356       |     | Tab, Ground terminal   |
| 129   | 650727      |     | Screw, 5/16-18 x 1-3/4 (Use as required)   |
| 131A  | 650713      |     | Screw, 5/16-18 x 5/8"  |
| 131   | 650737      |     | Screw, 1/4-20 x 1/2" (Use as required)   |
| 131   | 650738      |     | Screw, 1/4-20 x 5/8 (Use as required)  |
| 187   | 34349A      |     | Flange, Carburetor mounting  |
| 187A  | 30196       |     | Screw, 5/16-18 x 3/4"  |
| 222A  |             |     | Pop Rivet (Can be purchased locally)   |
| 250B  | 33269A      |     | Cover, Air cleaner   |
| 274   | 35865       |     | Gasket, Exhaust  |
| 275A  | 33714       |     | Muffler (Incl. 284, 284A & 414)  |
| 277   | 650729      |     | Screw, 5/16-18 x 3-3/16" (Use as required)   |
| 277   | 651002      |     | Screw, 5/16-18 x 4-1/4" (Use as required)  |
| 284   | 34390       |     | Deflector  |
| 285A  | 33662       |     | Hub & Screen Assy.   |
| 290   | 29774       |     | Fuel Line (Braided 8-1/4")(21cm)(As required)  |
| 290   | 30962       |     | Fuel Line (Braided 32")(80cm)(As required)   |
| 292   | 26460       |     | Fuel Line Clamp (Use as required)  |
| 298   | 650665      |     | Screw, 1/4-15 x 7/8"   |
| 300   | 34156A      |     | Fuel Tank (Incl. 292 & 301) NOTE: These tanks were built with different size fuel inlet openings. Tanks with the 1-3/16" I.D. opening use fuel cap 34210. Tanks with the 1-1/2" I.D. opening use fuel cap 35355. |
| 301A  | 410144B     |     | Fuel Cap (White Plastic)(Standard) (Use as required) (1.5" I.D.)   |
| 301A  | 33032       |     | Fuel Cap (Red Plastic) (Spurt Resistant, Low Profile) (Use as required) (1.5" I.D.)  |
| 301A  | 34210       |     | Fuel Cap (Red Plastic) (Spurt Resistant, High Profile) (Use as required) (1.5" I.D.)   |
| 301A  | 35355       |     | Fuel Cap (Red Plastic)(1.75" I.D.)   |
| 306   | 29673       |     | * Gasket, Oil filler   |
| 310B  | 35941       |     | Dipstick (Incl. 306)   |
| 319   | 28820       |     | Screw, 10-32 x 1/2"  |
| 320   | 610938      |     | Regulator (7 Amp)  |
| 320A  | 32765       |     | Clamp, Blower housing extension  |
| 338A  | 31291       |     | Plug, Cover  |
| 341   | 34155       |     | Bracket, Lower fuel tank mtg.  |
| 342   | 650561      |     | Screw, 1/4-20 x 5/8"   |
| 414   | 33323       |     | Opt. Muffler Screen (Mini-Bike application)  |
| 415   | 730130      |     | Kit, Exhaust adapter (Incl. 274 & 277)   |
| 418   | 33700       |     | Cover & Tube, Muffler (use as required)  |
| 419   | 650578      |     | Screw, 8-18 x 3/8" (use as required)   |
| 421   | 730226      |     | SAE 5W30 4-Cycle Engine Oil (Quart)  |
| 422   | 35824       |     | Muffler Optional   |



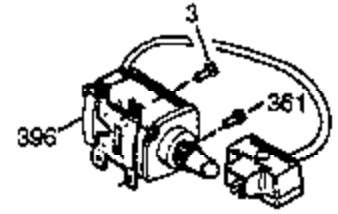
| Ref # | Part Number | Qty | Description   |
|-------|-------------|-----|---|
| 37A   | 30322       |     | Nut & Lockwasher, 8-32  |
| 129   | 650727      |     | Screw, 5/16-18 x 1-3/4 (Use as required)  |
| 131   | 650737      |     | Screw, 1/4-20 x 1/2" (Use as required)  |
| 131   | 650738      |     | Screw, 1/4-20 x 5/8 (Use as required)   |
| 131A  | 650713      |     | Screw, 5/16-18 x 5/8"   |
| 187   | 34349A      |     | Flange, Carburetor mounting   |
| 187A  | 30196       |     | Screw, 5/16-18 x 3/4"   |
| 200B  | 730152      |     | Control Bracket (Incl.1158-1171)(As req.)   |
| 201   | 30201A      |     | Lever, Speed control  |
| 222A  |             |     | Pop Rivet (Can be purchased locally)  |
| 227   | 730127      |     | Air Cleaner Ass'y. (Incl. 238, 239, 242, 246, 250) (Use as required)  |
| 238   | 28820       |     | Screw, 10-32 x 1/2"   |
| 239   | 27272A      |     | * Gasket, Air cleaner   |
| 241   | 33266       |     | Bracket, Air cleaner  |
| 242   | 33267       |     | Bracket, Air cleaner  |
| 245   | 33268       |     | Element, Air cleaner  |
| 250B  | 33269A      |     | Cover, Air cleaner  |
| 251   | 650513      |     | Nut, Wing 1/4-20  |
| 285A  | 33662       |     | Hub & Screen Assy.  |
| 290   | 29774       |     | Fuel Line (Braided 8-1/4")(21cm)(As required)   |
| 290   | 30962       |     | Fuel Line (Braided 32")(80cm)(As required)  |
| 291   | 30705       |     | Fuel Line (Braided 16")(40cm)(As required)  |
| 293   | 34385       |     | Impulse Fuel Pump NOTE: 34385 and 33715 (WIP)pumps are replaced by 35813 and 35800 (WIP) pumps. The 33010 (3000 series) repair kit is still available. The 35791 repair kit is used with the 35813 and 35800 fuel pumps.    |
| 293   | 33715       |     | Impulse Fuel Pump NOTE: 34385 and 33715 (WIP)pumps are replaced by 35813 and 35800 (WIP) pumps. The 33010 (3000 series) repair kit is still available. The 35791 repair kit is used with the 35813 and 35800 fuel pumps.    |
| 294   | 33010       |     | Fuel Pump Repair Kit NOTE: 34385 and 33715 (WIP)pumps are replaced by 35813 and 35800 (WIP) pumps. The 33010 (3000 series) repair kit is still available. The 35791 repair kit is used with the 35813 and 35800 fuel pumps. |
| 294   | 35791       |     | Fuel Pump Repair Kit NOTE: 34385 and 33715 (WIP)pumps are replaced by 35813 and 35800 (WIP) pumps. The 33010 (3000 series) repair kit is still available. The 35791 repair kit is used with the 35813 and 35800 fuel pumps. |
| 301A  | 410144B     |     | Fuel Cap (White Plastic)(Standard) (Use as required) (1.5" I.D.)  |
| 301A  | 33032       |     | Fuel Cap (Red Plastic) (Spurt Resistant, Low Profile) (Use as required) (1.5" I.D.)   |
| 301A  | 34210       |     | Fuel Cap (Red Plastic) (Spurt Resistant, High Profile) (Use as required) (1.5" I.D.)  |
| 301A  | 35355       |     | Fuel Cap (Red Plastic)(1.75" I.D.)  |
| 303   | 32958       |     | Fitting, Fuel   |
| 303   | 33713       |     | Fitting, Fuel line elbow  |
| 303A  | 34237       |     | Fitting, Fuel   |
| 306   | 29673       |     | * Gasket, Oil filler  |
| 310B  | 35941       |     | Dipstick (Incl. 306)  |
| 338A  | 31291       |     | Plug, Cover   |
| 370   | 34346       |     | Decal, Instruction  |
| 370   | 35274       |     | Decal, Instruction  |



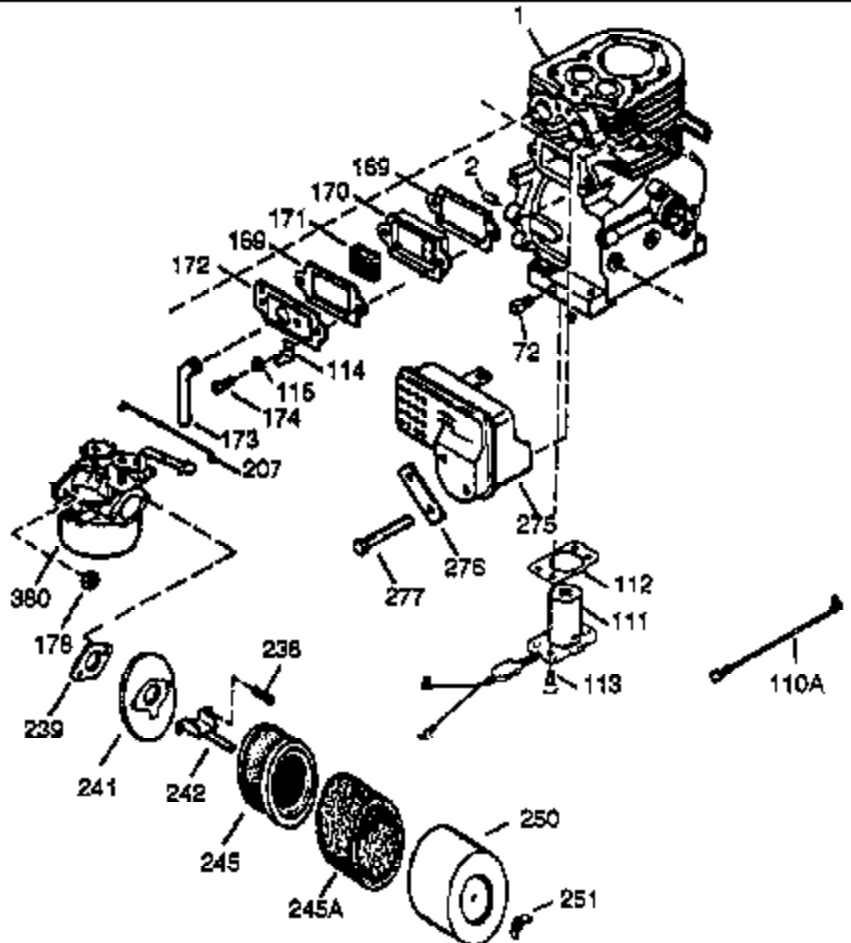
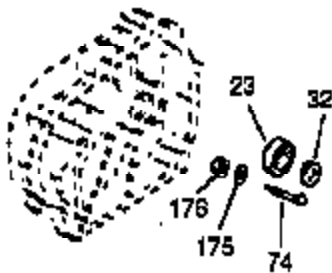
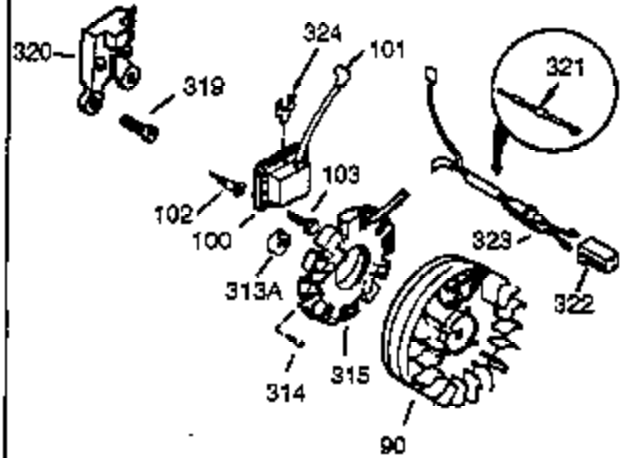
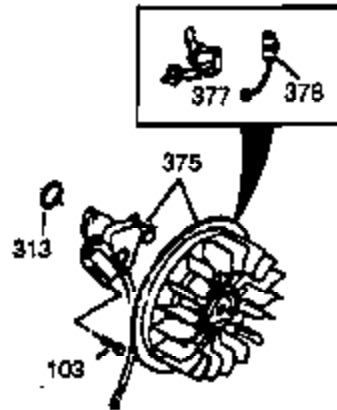
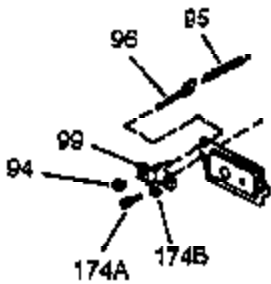
| Ref # | Part Number | Qty | Description                               |
|-------|-------------|-----|---|
| 421   | 730226      |     | SAE 5W30 4-Cycle Engine Oil (Quart)       |
| 422   | 35824       |     | Muffler Optional                          |
| 1158  | 33578       |     | Spring, Extension                         |
| 1159  | 30312       |     | Screw, 10-32 x 1/2"                       |
| 1160  | 650399      |     | Screw, 10-32 x 5/8"                       |
| 1160  | 28820       |     | Screw, 10-32 x 1/2"                       |
| 1160  | 27070       |     | Lockwasher                                |
| 1161  | 34351       |     | Lever, Bellcrank                          |
| 1162  | 33372       |     | Link, Governor lever-to-bellcrank         |
| 1163  | 29530       |     | Bushing, Bellcrank lever                  |
| 1163  | 29530       |     | Bushing, Bell crank lever                 |
| 1164  | 28562       |     | Bushing, R.P.M adjusting lever            |
| 1165  | 30199A      |     | Speed Adjusting Bracket (Incl. 167 & 168) |
| 1166  | 33450       |     | Nut, Lock                                 |
| 1167  | 32924       |     | Spring, Compression                       |
| 1168  | 650688      |     | Screw, 10-32 x 1"                         |
| 1170  | 34352       |     | Bracket, Idle adjustment                  |
| 1171  | 32977       |     | Spring, Torsion                           |
| 1185  | 33816       |     | Hub & Screen Assy.                        |



OPTIONAL MUFFLER  
(QUIET)



OPTIONAL 110-120 VOLT  
STARTER MOTOR KIT



| Ref # | Part Number  | Qty | Description   |
|-------|--------------|-----|---|
|       | 1 34096C     |     | Cylinder (CI liner)(3-5/16")(Incl.2,20,41,43,72 & 119)                                  |
|       | 2 27652      |     | Pin, Dowel  |
|       | 23 33627     |     | Bearing, Ball   |
|       | 32 33628     |     | Washer, Thrust  |
|       | 37A 30322    |     | Nut & Lockwasher, 8-32  |
|       | 72 27642     |     | Plug, Oil drain   |
|       | 74 31855     |     | Retainer, Bearing   |
|       | 101 610118   |     | Cover, Spark plug   |
|       | 103 650516   |     | Screw, 1/4-20 x 1-1/8"  |
|       | 129 650727   |     | Screw, 5/16-18 x 1-3/4 (Use as required)  |
|       | 131A 650713  |     | Screw, 5/16-18 x 5/8"   |
|       | 131 650737   |     | Screw, 1/4-20 x 1/2" (Use as required)  |
|       | 131 650738   |     | Screw, 1/4-20 x 5/8 (Use as required)   |
|       | 169 27896A   |     | * Gasket, Breather  |
|       | 170 28423    |     | Body, Breather  |
|       | 171 28424    |     | Element, Breather   |
|       | 172 28425    |     | Cover, Breather   |
|       | 173 35350    |     | Tube, Breather  |
|       | 174 650128   |     | Screw, 10-24 x 1/2"   |
|       | 175 650778   |     | Lockwasher  |
|       | 176 650580   |     | Nut, Lock   |
|       | 187 34349A   |     | Flange, Carburetor mounting   |
|       | 187A 30196   |     | Screw, 5/16-18 x 3/4"   |
|       | 207 34350    |     | Link, Governor lever-to-throttle  |
|       | 222A         |     | Pop Rivet (Can be purchased locally)  |
|       | 238 28820    |     | Screw, 10-32 x 1/2"   |
|       | 239 27272A   |     | * Gasket, Air cleaner   |
|       | 241 33266    |     | Bracket, Air cleaner  |
|       | 242 33267    |     | Bracket, Air cleaner  |
|       | 245 33268    |     | Element, Air cleaner  |
|       | 250B 33269A  |     | Cover, Air cleaner  |
|       | 251 650513   |     | Nut, Wing 1/4-20  |
|       | 275B 391026  |     | Muffler (Incl. 284, 284A & 416) (This spark arrester muffler can be used on any model.) |
|       | 276 35741    |     | Plate, Muffler locking  |
|       | 277 650729   |     | Screw, 5/16-18 x 3-3/16" (Use as required)  |
|       | 277 651002   |     | Screw, 5/16-18 x 4-1/4" (Use as required)   |
|       | 285A 33662   |     | Hub & Screen Assy.  |
|       | 301A 410144B |     | Fuel Cap (White Plastic)(Standard) (Use as required) (1.5" I.D.)                        |
|       | 301A 33032   |     | Fuel Cap (Red Plastic) (Spurt Resistant, Low Profile) (Use as required) (1.5" I.D.)     |
|       | 301A 34210   |     | Fuel Cap (Red Plastic) (Spurt Resistant, High Profile) (Use as required) (1.5" I.D.)    |
|       | 301A 35355   |     | Fuel Cap (Red Plastic)(1.75" I.D.)  |
|       | 306 29673    |     | * Gasket, Oil filler  |
|       | 310B 35941   |     | Dipstick (Incl. 306)  |
|       | 313A 33876   |     | Gasket, Stator (Used only on Std. point ign.)   |
|       | 319 28820    |     | Screw, 10-32 x 1/2"   |
|       | 320 610938   |     | Regulator (7 Amp)   |
|       | 338A 31291   |     | Plug, Cover   |
|       | 361 30063    |     | Screw, Torx T-30, 1/4-20 x 1/2"   |

| Ref # | Part Number | Qty | Description  |
|-------|-------------|-----|--|
| 375   | 610979      |     | Magneto (w/ring gear) (12 Volt, 7 Amp ) NOTE: The complete magneto is not available as an assembly. Themagneto number is shown for reference purpose only. Order component parts individually, as shown in parts list. (Refer to Division 5, Section B, page 36 for breakdown or Fiche 18B, Grid F-3 |
| 377   | 30547A      |     | Breaker Points (Use with Std. point i gn.)   |
| 378   | 610767A     |     | Condenser  |
| 380   | 632054      |     | Carburetor (Incl. 184 & 379) (Refer to Division 5, Section A, page 164 for breakdown or Fiche18B, Grid F-6)  |
| 421   | 730226      |     | SAE 5W30 4-Cycle Engine Oil (Quart)  |
| 422   | 35824       |     | Muffler Optional   |