

ILLUSTRATION SHOWS TYPICAL PARTS ONLY. ORDER BY PART NUMBER. PARTS NOT LISTED ARE SUPPLIED BY OEM.



Ref #	Part Number	Qty	Description
	1 33042		Cylinder (Incl. 2, 4, 30 & 47) (3-1/2" Bore)
	2 27652		Pin, Dowel
	4 31950		Seal, Oil
	5 31940		Intake Valve (Std.)
	5 31941		Intake Valve (1/32" OS) (Incl. 9)
	6 31942		Exhaust Valve (Std.)
	6 31943		Exhaust Valve (1/32" OS) (Incl. 9)
	7 650592		Key, Flywheel
	8 31944		Spring, Valve
	9A 31945		Cap, Lower valve spring (Std.)
	9A 31946		Cap, Lower valve spring (1/32" OS)
	9 31946		Cap, Lower valve spring (1/32" OS)
	9 31945		Cap, Lower valve spring (Std.)
	10 20810		Pin, Valve spring retainer
	11 33390B		Crankshaft (Incl. 12, 13, 78 & 79)
	12 29783		Pin, Crankshaft gear
	13 34692		Gear, Crankshaft
	14 34511		Piston, Pin & Ring Set (Std.) (3-1/2" Bore)
	14 34512		Piston, Pin & Ring Set (.010" OS)
	14 34513		Piston, Pin & Ring Set (.020" OS)
	14 34524		Piston, Pin & Ring Set (.030" OS)
	14 34525		Piston, Pin & Ring Set (.040" OS)
	14A 32238B		Piston & Pin Ass'y. (Std.)(Incl.16)(3 -1/2")
	14A 32239B		Piston & Pin Ass'y. (.010" OS) (Incl. 16)
	14A 32240B		Piston & Pin Ass'y. (.020" OS) (Incl. 16)
	14A 32621B		Piston & Pin Ass'y. (.030" OS) (Incl. 16)
	14A 32622B		Piston & Pin Ass'y. (.040" OS) (Incl. 16)
	15 32241		Ring Set (Std.) (3-1/2" Bore)
	15 32242		Ring Set (.010" OS)
	15 32243		Ring Set (.020" OS)
	15 32625		Ring Set (.030" OS)
	15 32626		Ring Set (.040" OS)
	15 32336		Re-Ringing Set, Piston
	16 31919		Ring, Piston pin retaining
	17 33093A		Connecting Rod Ass'y.(Std.)(Incl.18, 19 & 20)
	17 34383		Connecting Rod Assy.(.010" US)(Incl.1 8,19,20)
	17 34384		Connecting Rod Assy.(.020" US)(Incl.1 8,19,20)
	18 32077		Bolt, Connecting rod
	19 26073		Washer, Connecting rod
	20 28264		Nut Assy., Lock
	21 34693		Camshaft (MCR) (Helical)
	22 31939		Lifter, Valve
	23 32580A		Cover, Cylinder (Incl. 4, 28, 30, 34, & 43)
	23A 31956A		* Gasket, Cylinder cover
	24 33893A		Oil Fill Tube
	25A 33590		"O" Ring
	26 33984A		Dipstick (Incl. 25A)
	28 32426		Spacer, Governor rod
	29 650588		Screw, 1/4-20 x 2"
	31 31968		Link, Governor
	32 650451		Screw, 1/4-20 x 1"
	33 31964		Clamp, Governor lever
	34 29193		Ring, Retaining
	35 31963		Lever, Governor adjusting
	36 650518		Lockwasher
	37 650544		Screw, 10-24 x 7/8"
	38 7975		Nut, 10-24
	39 31965		Plate, Governor spring

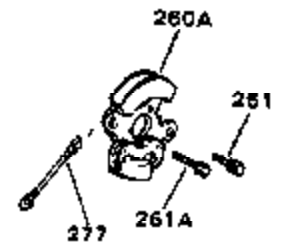
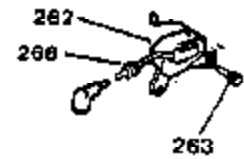
Ref #	Part Number	Qty	Description
40	30312		Screw, 10-32 x 1/2"
41	31967		Spring, Governor
42	30590A		Washer, Flat
43	32425		Rod Assy., Governor
44	31948		Spool, Governor
45	29193		Ring, Retaining
46	34691		Governor Gear Ass'y. (Helical)
47	31930		Shaft, Mechanical Governor
48	32246A		* Gasket, Cylinder head
49	33034		Head, Cylinder
51	650694A		Screw, 5/16-18 x 2" (Use as required)
51	650711		Screw, 5/16-18 x 1-5/8" (Use as required)
51	650628A		Screw, 5/16-18 x 2-3/8" (Use as required)
51	650695A		Screw, 5/16-18 x 2-1/4" (Use as required)
51	650714		Screw, 5/16-18 x 1-5/8" (Use as required)
51	650697A		Screw, 5/16-18 x 2-1/2" (Use as required)
51	650692		Screw, 5/16-18 x 1-3/4" (Use as required)
51	650603		Screw, 5/16-18 x 5/8" (Use as required)
53	33636		Resistor Spark Plug (RJ-8C)
53	34251		Resistor Spark Plug (RJ-17LM)
54	33035		Cover, Cylinder head
55	28537		Washer, Plain
57	650691		Washer, Flat (Use as required)
58	650690		Washer, Belleville (Use as required)
58	8274		Washer, Lock (Use as required)
59	650128		Screw, 10-24 x 1/2"
60	31976		Extension, Blower housing
63	410144B		Fuel Cap (White Plastic)(Std.)(As required)
63	34210		Fuel Cap (Red Plastic) (Spurt resistant, High profile) (Use as required)
67	650517		Screw, 1/4-20 x 27/32" (Use as required)
67	650561		Screw, 1/4-20 x 5/8" (Use as required)
67	30063		Screw, 1/4-20 x 1/2" (Use as required)
67	792028		Screw, 5/16-18 x 7/8" (Use as required)
71	26460		Clamp, Fuel line (Use as required)
72	29774		Fuel Line (Braided) (8.25") (Use as required)
72	30705		Fuel Line (Braided) (16") (Use as required)
72	30962		Fuel Line (Braided) (32") (Use as required)
72	30965		Fuel Line (Braided) (48") (Use as required)
73	31975		Baffle, Blower housing
74	650561		Screw, 1/4-20 x 5/8"
76	28545		Grommet, Plastic
77	650760		Screw, 8-32 x 3/8"
78	31932		Bearing, Tapered roller
79	31928		Cup, Bearing
80	32031		Spacer, Steel (.010" thick) NOTE: Determine the gap between the cover and the machined surface on the cylinder which can be from .001" up to .007" in which case no shim gaskets will be required. Use of gasket must be limited to a combined total of .010" thick. Steel spacers must be used as required

Ref #	Part Number	Qty	Description
81	31971		* Gasket, Shim (.004/.005 thick) NOTE: Determine the gap between the cover and the machined surface on the cylinder which can be from .001" up to .007" in which case no shim gaskets will be required. Use of gasket must be limited to a combined total of .010" thick. Steel spacers must be used as req
82	31972		* Gasket, Shim (.005/.007 thick) NOTE: Determine the gap between the cover and the machined surface on the cylinder which can be from .001" up to .007" in which case no shim gaskets will be required. Use of gasket must be limited to a combined total of .010" thick. Steel spacers must be used as req
82A	32599		"O" Ring
83	32577		Cover, Cylinder NOTE: Determine the gap between the cover and the machined surface on the cylinder which can be from .001" up to .007" in which case no shim gaskets will be required. Use of gasket must be limited to a combined total of .010" thick. Steel spacers must be used as required to eliminat
84A	650679		Lockwasher, 5/16" (Use as required)
84	792028		Screw, 5/16-18 x 7/8"
85	650666		Washer, Lock
86	650594		Nut, Flywheel, 3/4-16
87	33037		Blower Housing
91	8274		Washer, Lock
92	650595		Screw, 5/16-24 x 3/8"
95	8274		Washer, Lock
96	650595		Screw, 5/16-24 x 3/8"
98	31958		* Gasket, Breather
99	31957		Breather Assy.
100	35350		Tube, Breather
101	650128		Screw, 10-24 x 1/2"
102	28558		Washer, Wave
103	31966		Bushing, Control lever
104	31984A		Lever, Control
105	650597		Screw, 10-24 x 5/8"
106	650591		Screw, 10-24 x 2"
107	33099		Spring
112	33038		Plug, Button (Use as required)
115	27272		* Gasket, Air cleaner
120	650399		Screw, 10-32 x 5/8"
121	30767		Spacer, Air cleaner
126	650513		Nut, Wing
128	650713		Screw, 5/16-18 x 5/8" (Use as require d)
128	650429		Screw, 5/16-18 x 3/4" (Use as require d)
128	792028		Screw, 5/16-18 x 7/8" (Use as require d)
141	26073		Washer, Flat (Use as required)
141A	8274		Lockwasher, Split (Use as required)
145	33263		* Gasket, Carburetor
146	650451		Screw, 1/4-20 x 1"
147	34061		Baffle, Air
156	730201		Trigger Pin Kit (Use as required)
173	610118		Cover, Spark plug (Use as required)
177	8345		Washer, 1/4 plain (Use as required)
178	27070		Washer, Lock 1/4 E.T. (Use as require d)
178	650675		Washer, Flat 1/4 (Use as required)

Ref #	Part Number	Qty	Description
	184 27793		Clip, Conduit
	185 28942		Screw, 10-32 x 3/8"
	187 650713		Screw, 5/16-18 x 5/8"
	188 26073		Washer, Flat
	219 32154		Cap, Pipe
	220 32438		Nipple, Pipe
	249 32046		Rope Assy., Starter (Use as required)
	259 650399		Screw, 10-32 x 5/8"
	260 610965		Solid State Stator Plate Ass'y.
	266 610750		Grommet, Lead wire
	278 611000		Flywheel
	299 34346		Decal, Instruction
	300A 631021		Inlet Needle, Seat & Clip Assy.
	301 631975		Carburetor (Incl. 145) (Refer to Division 5, Section A, page 150 for breakdown)
	304 33237A		* Gasket Set (Incl. items marked *)

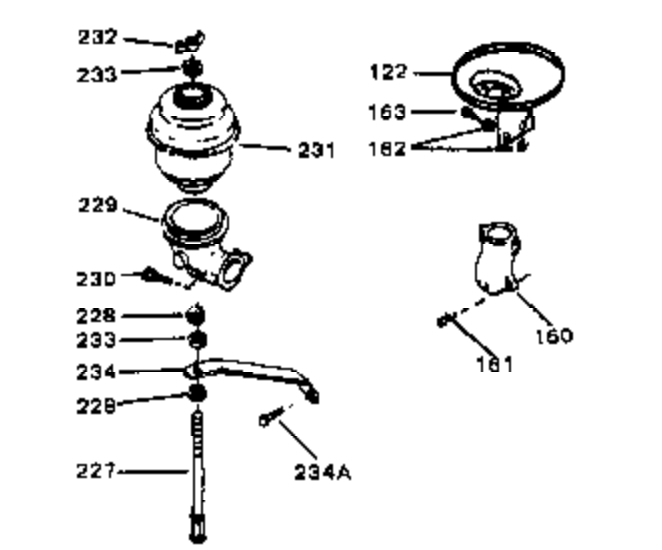
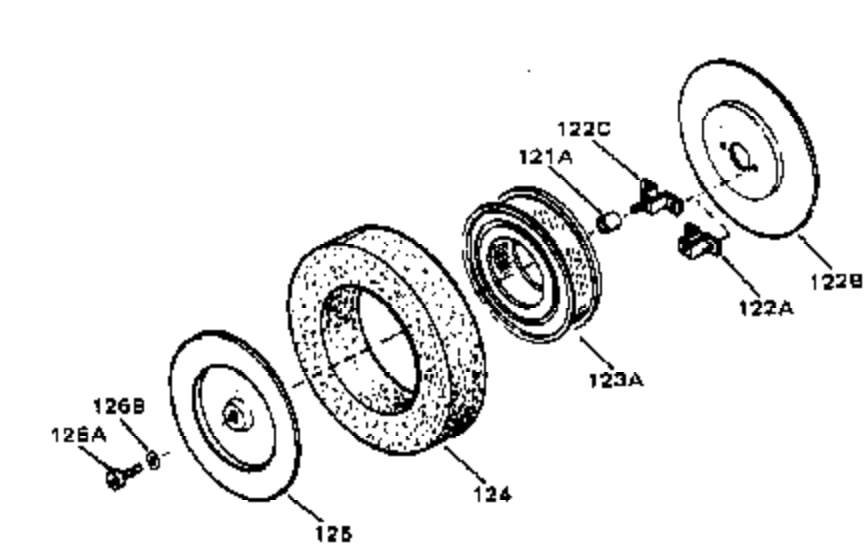
This illustration may not depict actual equipment and is for reference only!

VIEW 2 of 3



Ref #	Part Number	Qty	Description
165	32048		Hub, Starter
166	32049		Screen, Starter hub
167	650516		Screw, 1/4-20 x 1-1/8"
168	650598		Screw, 1/4-28 x 3/4"
169	8345		Washer, Flat
170	31891		Bracket, Starter air cleaner
171	32050		Cleaner, Starter air
178	27070		Washer, Lock 1/4 E.T. (Use as require d)
178	650675		Washer, Flat 1/4 (Use as required)
180	650701		Screw, 8-18 x 7/16" (Use as required)
222	792028		Screw, 5/16-18 x 7/8" (Use w/32817 st r.motor)
222	650781		Screw,5/16-18 x 11/16"(Use w/33835 st r.motor)
235	34276		Plate, Cover (Use as required to cover regulator mounting hole in blower housing)
236	650736		Screw, 10-16 x 3/8" (Use as required)
252	730134		Rewind Starter Kit (Incl. 165, 166, 167, 168, 169 & 291) (Use as required)
253	33018		Harness Assy., Adapter (Use as requir ed)
257B	610824		Flat Connector (Female terminals) (As req.)
266	610750		Grommet, Lead wire
275	730198		Starter Switch Kit(Incl. 287-298) (As req.)
302	590405A		Rewind Starter (Refer to Division 5, Section C, page 24 for breakdown)

ILLUSTRATION SHOWS TYPICAL PARTS ONLY. ORDER BY PART NUMBER. PARTS NOT LISTED ARE SUPPLIED BY OEM.





Ref #	Part Number	Qty	Description
41	31967		Spring, Governor
71	26460		Clamp, Fuel line (Use as required)
72	29774		Fuel Line (Braided) (8.25") (Use as required)
72	30705		Fuel Line (Braided) (16") (Use as required)
72	30962		Fuel Line (Braided) (32") (Use as required)
72	30965		Fuel Line (Braided) (48") (Use as required)
119	28534		Pipe Plug, 1/8-27 (Use as required)
119	9556		Plug, Pipe, 1/8-27 (Use as required)
122B	34071		Bracket, Air cleaner
123A	32008		Element, Air cleaner
124	32906		Element, Pre-Air cleaner
125	32904		Cover, Pre-air cleaner
172	31990		Bracket, Choke control
184	27793		Clip, Conduit
185	28942		Screw, 10-32 x 3/8"