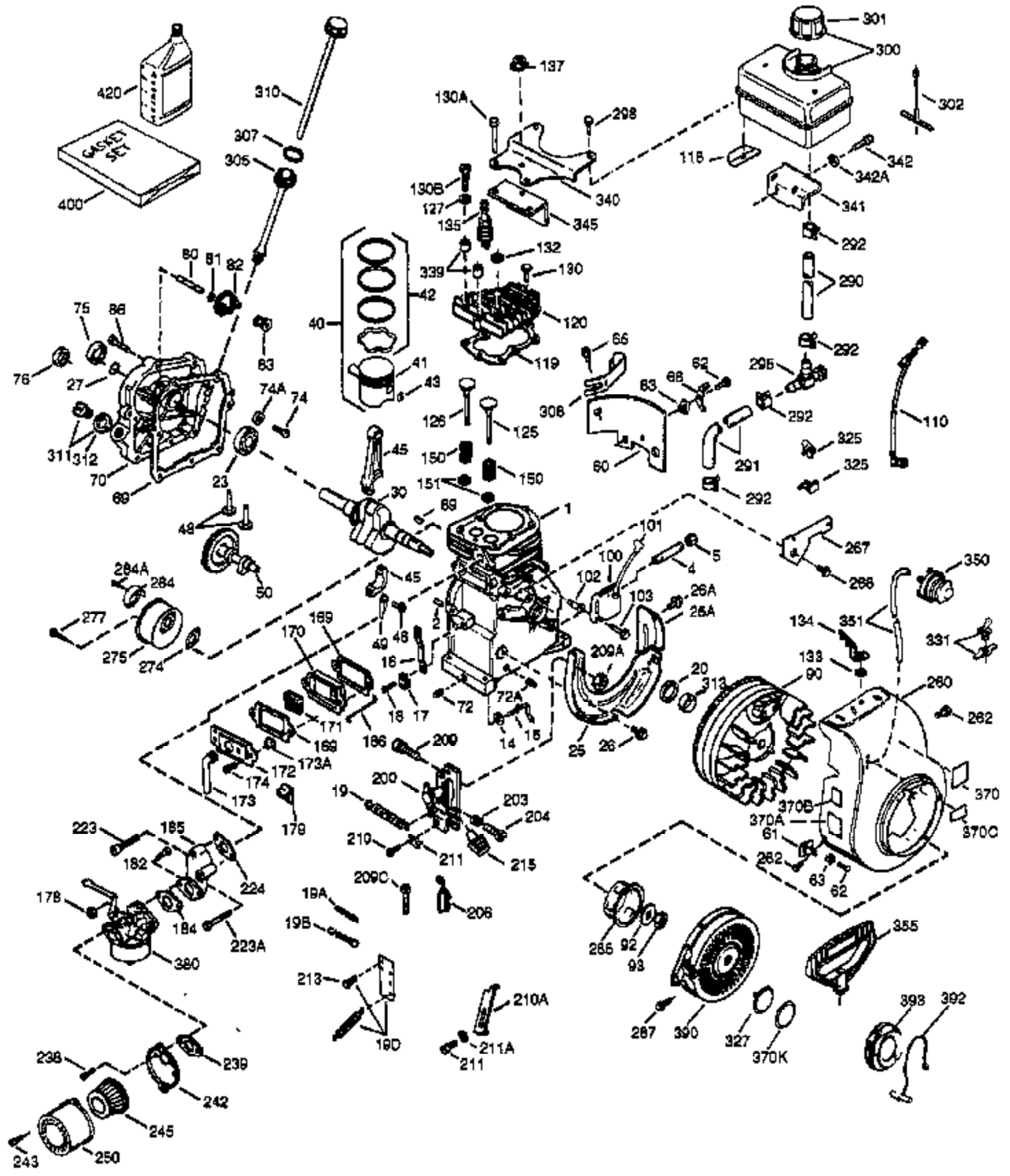


ILLUSTRATION SHOWS TYPICAL PARTS ONLY. ORDER BY PART NUMBER. PARTS NOT LISTED ARE SUPPLIED BY OEM.

VIEW 1 OF 2



Engine Parts List #1

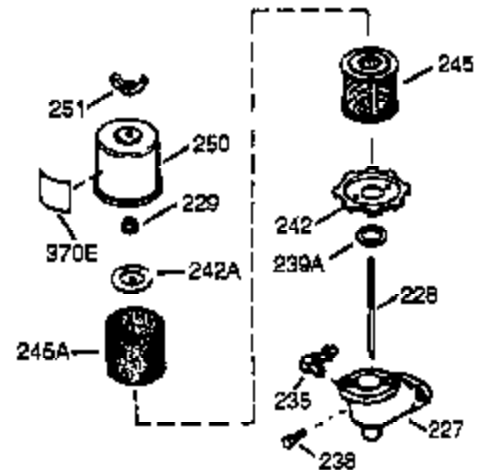
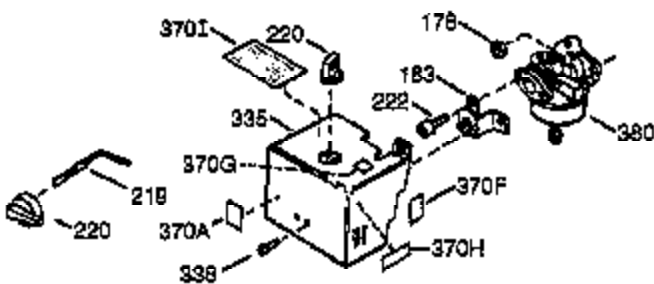
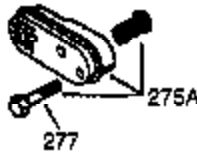
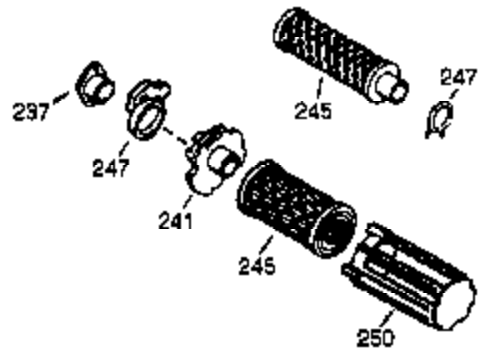
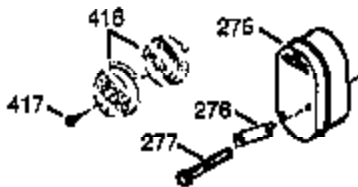
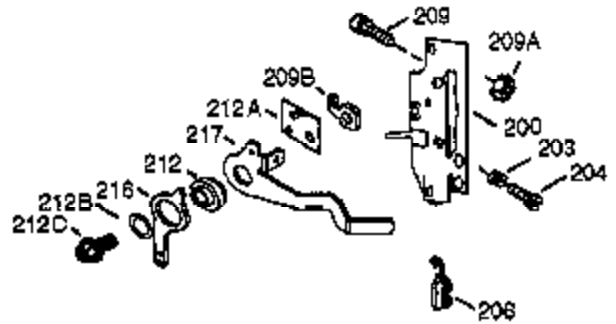
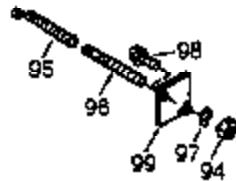
| Ref # | Part Number | Qty | Description |
|-------|-------------|-----|--|
| | 1 36560A | 1 | Cylinder (Incl. 2, 20, 72 & 125) |
| | 2 26727 | 2 | Dowel Pin |
| | 14 28277 | 1 | Washer |
| | 15 31334 | 1 | Governor Rod |
| | 16 31336 | 1 | Governor Lever |
| | 17 31335 | 1 | Governor Lever Clamp |
| | 18 651018 | 1 | Screw, T-15, 8-32 x 19/64" |
| | 19 34593 | 1 | Extension Spring |
| | 20 32600 | 1 | Oil Seal |
| | 25A 35883 | 1 | Baffle Extension |
| | 25 36552 | 1 | Blower Housing Baffle (Incl. 262) |
| | 26A 650926 | 1 | Screw, 8-32 x 21/64" |
| | 26 650802 | 2 | Screw, 1/4-20 x 5/8" |
| | 30 35032A | 1 | Crankshaft |
| | 40 40020 | 1 | Piston, Pin & Ring Set (Std.) |
| | 40 40021 | 1 | Piston, Pin & Ring Set (.010 OS) |
| | 41 40018 | 1 | Piston & Pin Ass'y. (Std.) (Incl. 43) |
| | 41 40019 | 1 | Piston & Pin Ass'y. (.010 OS)(Incl. 4 3) |
| | 42 40022 | 1 | Ring Set (Std.) |
| | 42 40023 | 1 | Ring Set (.010 OS) |
| | 43 20381 | 2 | Piston Pin Retaining Ring |
| | 45 30963B | 1 | Connecting Rod Ass'y. (Incl. 46 & 49) |
| | 46 32610A | 2 | Connecting Rod Bolt |
| | 48 27241 | 2 | Valve Lifter |
| | 49 28594 | 1 | Oil Dipper |
| | 50 32197A | 1 | Camshaft (MCR) |
| | 60 29745 | 1 | Blower Housing Extension |
| | 65 650128 | 1 | Screw, 10-24 x 1/2" |
| | 69 27677A | 1 | * Cylinder Cover Gasket |
| | 70 35863A | 1 | Cylinder Cover (Incl. 75 thru 83,311) |
| | 72 27642 | 2 | Oil Drain Plug |
| | 75 26208 | 1 | Oil Seal |
| | 80 30574A | 1 | Governor Shaft |
| | 81 30590A | 1 | Washer |
| | 82 30591 | 1 | Governor Gear Ass'y. (Incl. 81) |
| | 83 30588A | 1 | Governor Spool |
| | 86 650488 | 7 | Screw, 1/4-20 x 1-1/4" |
| | 89 610961 | 1 | Flywheel Key |
| | 90 611195 | 1 | Flywheel |
| | 92 650815 | 1 | Belleville Washer |
| | 93 650816 | 1 | Flywheel Nut |
| | 100 34443C | 1 | Solid State Ignition |
| | 102 651024 | 1 | Solid State Mounting Stud |
| | 103 651007 | 2 | Screw, T-15, 10-24 x 15/16" |
| | 110 35182 | 1 | Ground Wire |
| | 119 36437 | 1 | * Cylinder Head Gasket |
| | 120 36438 | 1 | Cylinder Head (Incl. 119 & 130) |
| | 125 36471 | 1 | Exhaust Valve (Std.) (Incl. 151) |
| | 125 36472 | 1 | Exhaust Valve (1/32" OS) (Incl. 151) |
| | 126 29314C | 1 | Intake Valve (Std.) (Incl. 151) |
| | 126 29315C | 1 | Intake Valve (1/32" OS) (Incl. 151) |
| | 130 650694A | 7 | Screw, 5/16-18 x 2" |
| | 130A 6021A | 1 | Screw, 5/16-18 x 1-1/2" |
| | 132 650708 | 1 | Washer |
| | 135 33636 | 1 | Resistor Spark Plug (RJ17LM) |
| | 150 31672 | 2 | Valve Spring |
| | 151 31673 | 2 | Valve Spring Cap |
| | 151A 40016A | 1 | Valve Seal |

Engine Parts List #1

| Ref # | Part Number | Qty | Description |
|-------|-------------|-----|--|
| 169 | 27234A | 2 | * Valve Cover Gasket |
| 170 | 27666 | 1 | Breather Body |
| 171 | 31410 | 1 | Breather Element |
| 172 | 34146 | 1 | Valve Cover |
| 173 | 32447 | 1 | Breather Tube (3.53") |
| 173A | 32446 | 1 | Breather Tube Grommet |
| 174 | 650783 | 2 | Screw, 10-24 x 3/4" |
| 178 | 29752 | 2 | Nut & Lock Washer, 1/4-28 |
| 179 | 30593 | 1 | Retainer Clip |
| 181 | 6201 | 2 | Screw, 1/4-28 x 7/8" |
| 184 | 26756 | 1 | * Carburetor To Intake Pipe Gasket |
| 185 | 36703 | 1 | Intake Pipe (Incl. 182,184,224) |
| 186 | 31341 | 1 | Governor Link |
| 200 | 36677 | 1 | Control Bracket (Incl. 203 thru 209A) |
| 203 | 31342 | 1 | Compression Spring |
| 204 | 651029 | 1 | Screw, T-10, 5-40 x 7/16" |
| 206 | 610973 | 1 | Terminal |
| 215 | 32410 | 1 | Control Knob (Red) |
| 223 | 650451 | 2 | Screw, 1/4-20 x 1" |
| 224 | 26754A | 1 | * Intake Pipe Gasket |
| 238 | 650932 | 2 | Screw, 10-32 x 49/64" |
| 239 | 34338 | 1 | * Air Cleaner Gasket |
| 245 | 35066 | 1 | Air Filter (Conical) |
| 250 | 35986 | 1 | Air Cleaner Cover |
| 260 | 35825 | 1 | Blower Housing |
| 262 | 650737 | 1 | Screw, 1/4-20 x 1/2" |
| 275 | 40000A | 1 | Muffler (W/Catalyst) |
| 277 | 650988 | 2 | Screw, 1/4-20 x 2-5/16" |
| 285 | 36467A | 1 | Starter Cup |
| 287 | 650926 | 2 | Screw, 8-32 x 21/64" |
| 290 | 29774 | 1 | Fuel Line |
| 292 | 26460 | 2 | Fuel Line Clamp |
| 298 | 650665 | 2 | Screw, 1/4-15 x 7/8" |
| 300 | 35591 | 1 | Fuel Tank (Incl. 292 & 301) |
| 301 | 37656 | 1 | Fuel Cap |
| 311 | 27625 | 1 | Oil Drain Plug |
| 312 | 29673 | 1 | * Oil Drain Plug Gasket |
| 313 | 34080 | 1 | Spacer |
| 339 | 28212 | 2 | Spacer |
| 340 | 35926 | 1 | Fuel Tank Bracket |
| 342 | 650751 | 1 | Screw, 1/4-20 x 7/16" |
| 345 | 32664 | 1 | Baffle Heat |
| 370C | 37199 | 1 | Primer Decal |
| 370K | 36695 | 1 | Starter Decal |
| 370A | 36261 | 1 | Lubrication Decal |
| 370B | 35703 | 1 | Control Decal |
| 380 | 640172 | 1 | Carburetor (Incl. 184) |
| 390 | 590732A | 1 | Recoil Starter |
| 400 | 36439 | 1 | * Gasket Set (Incl. items marked PK i n notes) |
| 420 | 730225A | 1 | SAE 30 4-Cycle Engine Oil (Quart) |

ILLUSTRATION SHOWS TYPICAL PARTS ONLY. ORDER BY PART NUMBER. PARTS NOT LISTED ARE SUPPLIED BY OEM.

VIEW 2 OF 2



OPTIONAL 110 - 120 VOLT
STARTER MOTOR KIT



396

Engine Parts List #2

| Ref # | Part Number | Qty | Description |
|-------|-------------|-----|--|
| 16 | 31336 | 1 | Governor Lever |
| 17 | 31335 | 1 | Governor Lever Clamp |
| 18 | 651018 | 1 | Screw, T-15, 8-32 x 19/64" |
| 151A | 40016A | 1 | Valve Seal |
| 178 | 29752 | 2 | Nut & Lock Washer, 1/4-28 |
| 181 | 6201 | 2 | Screw, 1/4-28 x 7/8" |
| 200 | 36677 | 1 | Control Bracket (Incl. 203 thru 209A) |
| 203 | 31342 | 1 | Compression Spring |
| 204 | 651029 | 1 | Screw, T-10, 5-40 x 7/16" |
| 206 | 610973 | 1 | Terminal |
| 238 | 650932 | 2 | Screw, 10-32 x 49/64" |
| 241 | 35797 | 1 | Air Cleaner Collar |
| 245 | 35066 | 1 | Air Filter (Conical) |
| 250 | 35986 | 1 | Air Cleaner Cover |
| 275 | 40000A | 1 | Muffler (W/Catalyst) |
| 277 | 650988 | 2 | Screw, 1/4-20 x 2-5/16" |
| 370A | 36261 | 1 | Lubrication Decal |
| 380 | 640172 | 1 | Carburetor (Incl. 184) |
| 416 | 36085 | 1 | Spark Arrestor Kit (Incl. 417)(Optional) |
| 417 | 650821 | 1 | Screw, 10-32 x 1/2" (Optional) |