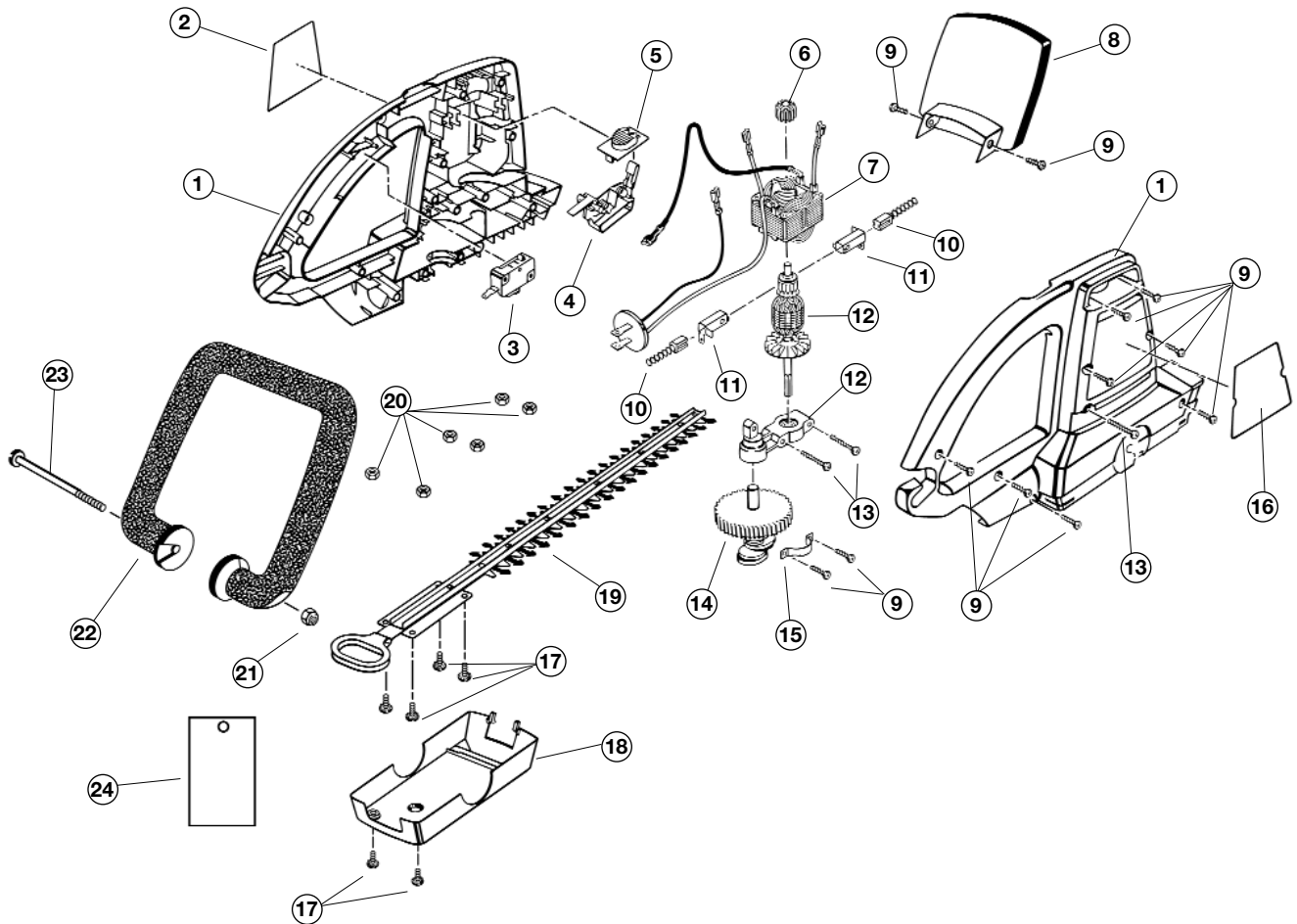


**REPLACEMENT PARTS - MODEL HT920Dr  
DUAL ACTION HEDGE TRIMMER**

(Serial Number 80001-9815 and greater)



Item	Part No.	Description	Item	Part No.	Description
1	182853	Housing Assembly	13	182864	Screw (8-10 X 1-1/4" Pan Hd.)
2	182854	Logo Plate (HT816r)	14	182865	Gear Assembly
3	182855	Switch	15	182866	Bearing Strap
4	182856	Switch Trigger Assembly	16	182867	Data Plate
5	182857	Lock-On Button	17	181827	Screw (8-32 X 1/2" Pan Hd. with Lock Patch)
6	182858	Heat Sink with Bearing	18	180440	Blade Cover
7	182859	Field and Disc Assembly	19	182622	20 inch Blade Assembly
8	180436	Blade Guard	20	181843	Hex Nut (8-32)
9	181345	Screw (8-10 X 3/4" Pan Hd.)	21	180050	Hex Nut (1/4-20)
10	182860	Brush Assembly	22	180445	Front Handle
11	182862	Armature	23	180048	Screw (1/4-20 X 5" Rd. Hd.)
12	182863	Bearing Plate with Bearings	24	182645	Inspection Tag
			*	182556	Owner's Manual