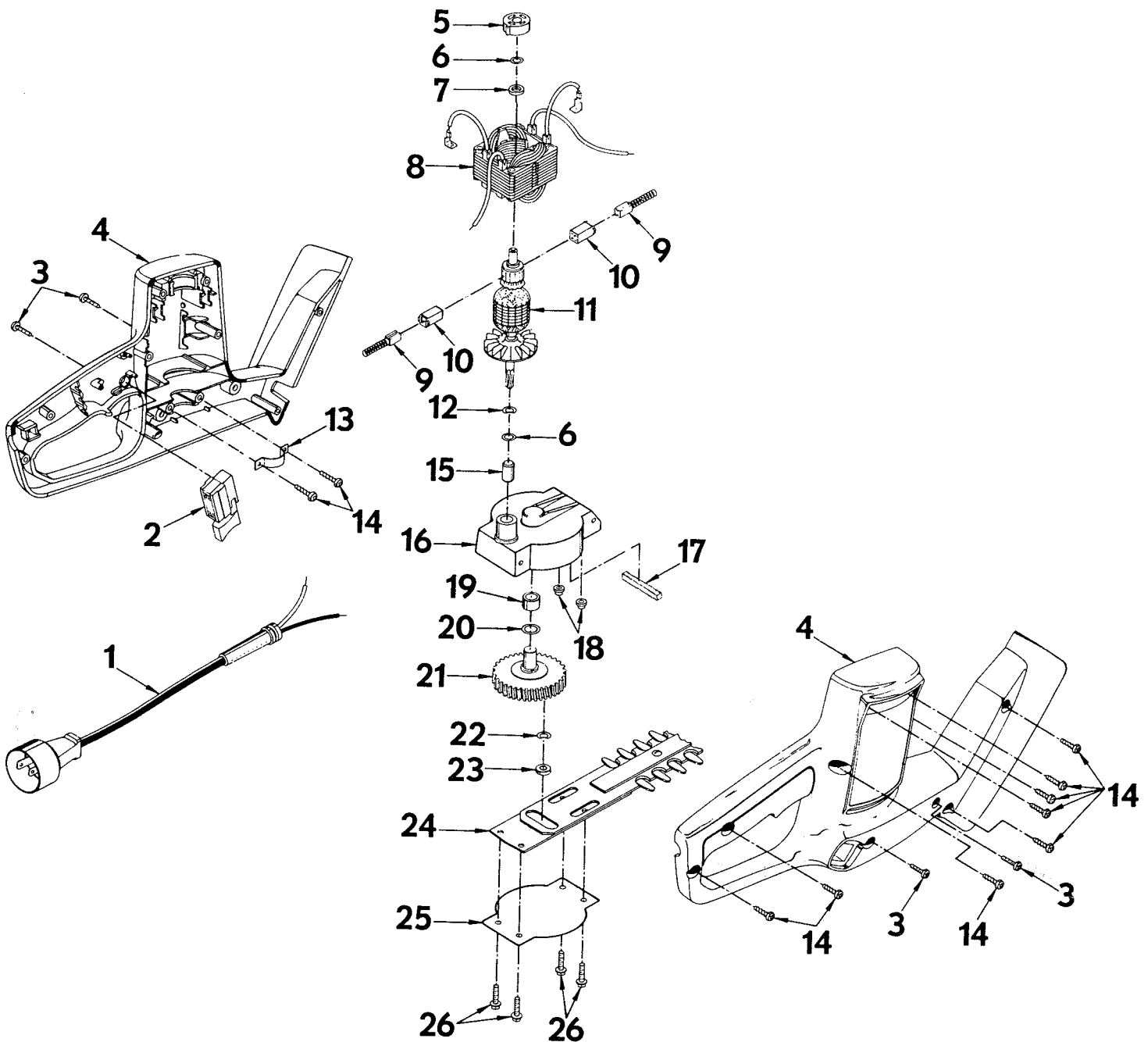


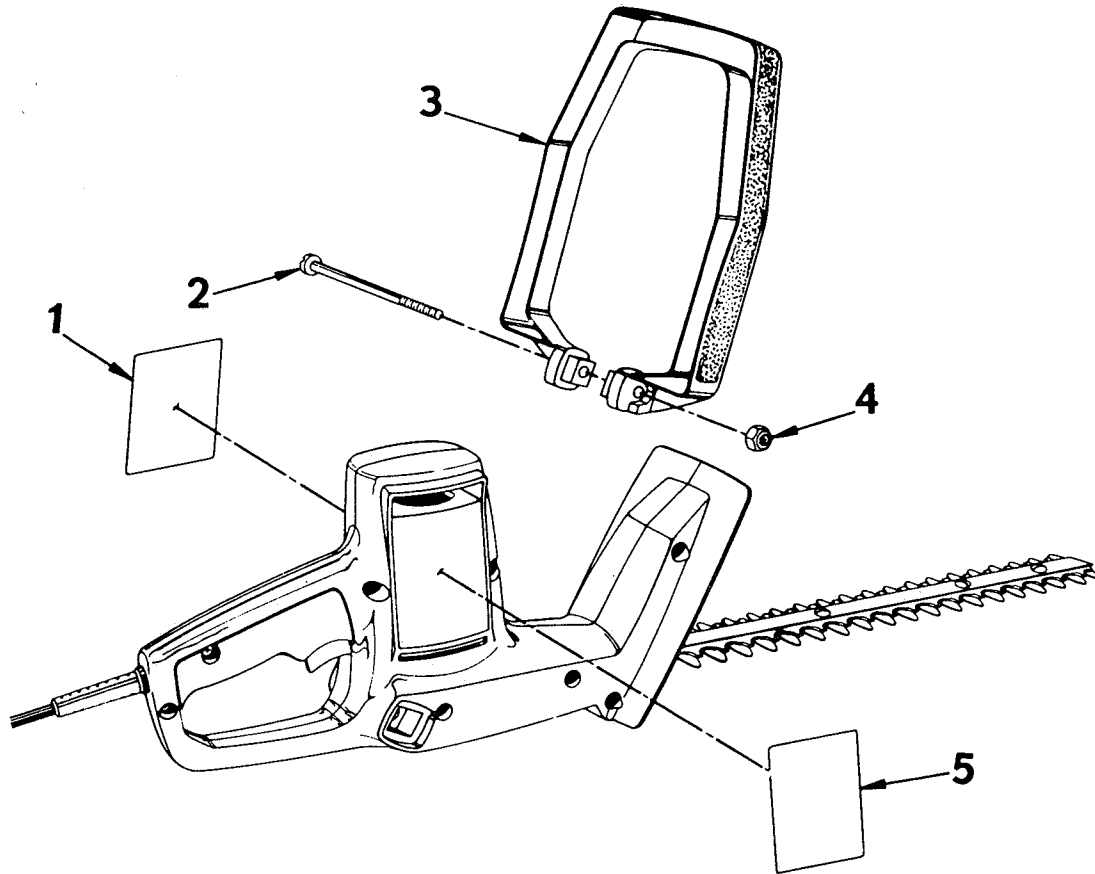
RYOBI/IDC HT614, HT616, HT618, HT622



Item	Part No.	Description
1	180157	Cord Assembly
2	180158	Switch
3	180159	Screw (#10-32 x 1/2" Pan HD.)
4	180160	Housing Assembly
5	180161	Sleeve Bearing
6	180162	Washer
7	180163	Washer
8	180164	Field (Model HT614, HT616)
8	180165	Field (Model HT618, HT622)
9	180166	Brush Assembly
10	180167	Brush Tube
11	180168	Armature
12	180169	Spring Washer
13	180170	Bearing Strap
14	180171	Screw (#8-19 x 5/8" Pan HD.)
15	180172	Sleeve Bearing

Item	Part No.	Description
16	180173	Gear Housing w/Bearings (includes items 15 and 19)
17	180174	Blade Seal
18	180175	Spacer
19	180176	Sleeve Bearing
20	180177	Washer
21	180178	Clutch
22	180179	Spring Washer
23	180180	Washer
24	180181	Blade Assembly (Model HT614 -14")
24	180182	Blade Assembly (Model HT616 -16")
24	180183	Blade Assembly (Model HT618 -18")
24	180184	Blade Assembly (Model HT622 -22")
25	180185	Grease Cover
26	180186	Screw (#10-32 x 1/2" Washer Head)
*	180052	Owner's Manual (not shown)

RYOBI/IDC HT614, HT616, HT618, HT622



Item	Part No.	Description
1	180047	Logo Plate (Model HT614)
1	180187	Logo Plate (Model HT616)
1	180188	Logo Plate (Model HT618)
1	180189	Logo Plate (Model HT622)
2	180048	Screw (1/4-20 x 4-1/4" RD.HD.)
3	180049	Front Handle

Item	Part No.	Description
4	180050	Hex Nut (1/4-20)
5	180051	Data Plate (Model HT614)
5	180190	Data Plate (Model HT616)
5	180191	Data Plate (Model HT618)
5	180192	Data Plate (Model HT622)
6	180193	Hang Tag (not shown)