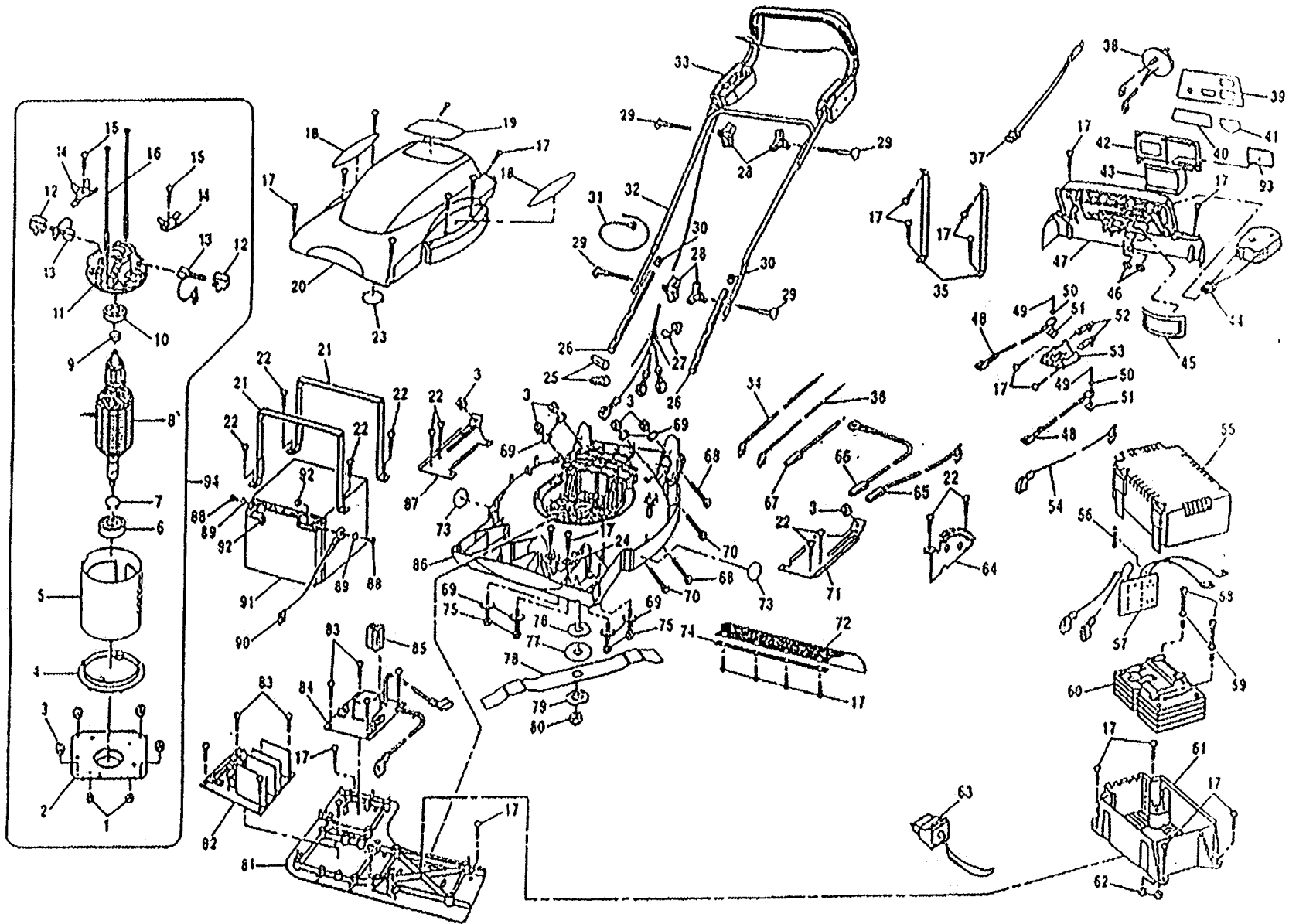


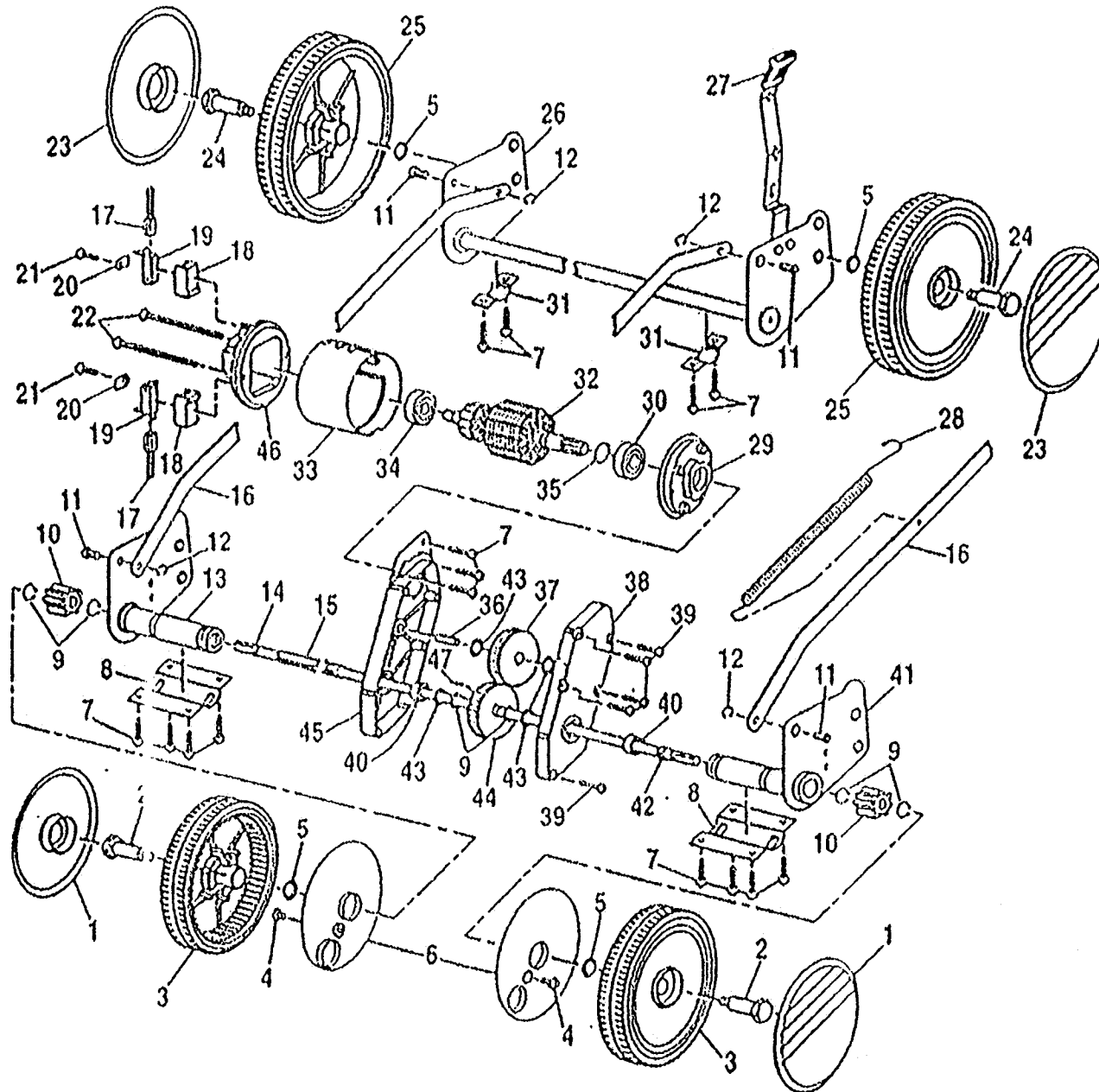
MODEL BMP2418 - Section A



MODEL BMP2418 - Section A

Item	Part No.	Description	Item	Part No.	Description
1	180570	Hex Lock Nut (#10-32)	48	181261	White Lead
2	180710	Bottom End Cap	49	180632	SCREW (#10-32 x 1/4 in Pan Head)
3	180582	Hex Nut (#1/4-20)	50	180633	Washer
4	180572	Insulator	51	180635	Square Nut (#10-32)
5	180573	Field	52	180667	Fuse Terminal
6	181196	Ball Bearing (NTN #6203LLU1E)	53	180668	Receptacle Holder
7	180654	Retaining Ring	54	181262	Black Lead
8	180955	Armature (includes nos. 6, 7, and 9)	55	180619	Transformer Cover
9	180963	Bushing	56	180649	Fuse
10	180957	Sleeve Bearing	57	180660	Rectifier/Fuse Board
11	181197	Top End Cap (includes no. 10)	58	180581	Screw (#6-32 x 1-1/2 in Pan Head)
12	180656	Brush Tube	59	180700	Washer
13	180599	Brush Assembly	60	180652	Transformer (120V)
14	180600	Brush Terminal	61	180618	Transformer Base
15	180646	Screw (#8-16 x 5/8 in Pan Head)	62	180580	Hex Nut (#6-32)
16	180650	Screw (#10-32 x 5-19/64 in Pan Head)	63	180666R	Ignition Key/Circuit Breaker
17	181198	Screw (#8-18 x 3/4 in Pan Head)	64	180585	Height Adjustment Bracket
18	180604	Turf Injector Label	65	181263	Red Lead
19	181248	Cover Label	66	181264	Red Lead
20	181249	Motor Cover	67	181265	Brown Lead
21	181250	Battery Strap w/Pad	68	180576	Bolt (#1/4-20 x 2 in Hex Head)
22	180648	Screw (#10-14 X 3/4 in Pan Head)	69	180642	Washer
23	181251	Motor Pad	70	180577	Bolt (#1/4-20 x 1-5/8 in Hex Head)
24	181252	Washer	71	180639	Left Deck Bracket
25	181253	Wire Nut	72	180606	Rear Deflector
26	180583	Handle Mounting Tube	73	181178	Danger Label
27	181254	Strain Relief	74	180597	Deflector Retainer
28	180638	Knob	75	180461	Bolt (#1/4-20 x 5/8 in Hex Head)
29	180607	Shoulder Bolt (#5/16-18 x 2 in Curved Head)	76	180946	Shaft Washer
30	-180616	End Cap (Handle Mounting Tube)	77	180947	Spacer
31	181229	Tie Wrap	78	180495R	18 in Turf Injector Blade
32	180584	Lower Handle	79	180948	Blade Washer
33	181255	Upper Handle Assembly	80	180949	Blade Nut (#1/2-20)
34	181256	Blue Lead	81	181266	Board Plate
35	180593	Control Panel Bracket	82	180657	Charger Module
36	181257	Brown Lead	83	180781	Screw (#6-19 x 5/8 in Pan Head)
37	181258	LED	84	181177	Power Module
38	180624	Disc Assembly w/Terminals	85	181176	Terminal Housing
39	-181259	Control Panel Label	86	181267	Mower Deck
40	181209	Data Plate	87	180640	Right Deck Bracket
41	180626	Danger Label	88	180664	Hex Bolt (M5 x 10)
42	180627	Door Holder	89	180663	Washer
43	180628	Recharging Port Door	90	181268	Black Lead
44	181260	Battery Gauge (includes no. 45)	91	181216	Battery Assembly
45	180631	Battery Gauge Holder	92	180665	Hex Nut (M5)
46	180630	Push Nut (1/4 in)	93	181269	Access Door Label
47	180622	Control Panel	94	180495	Motor Assembly ((includes nos. 76, 77, 79, and 80)

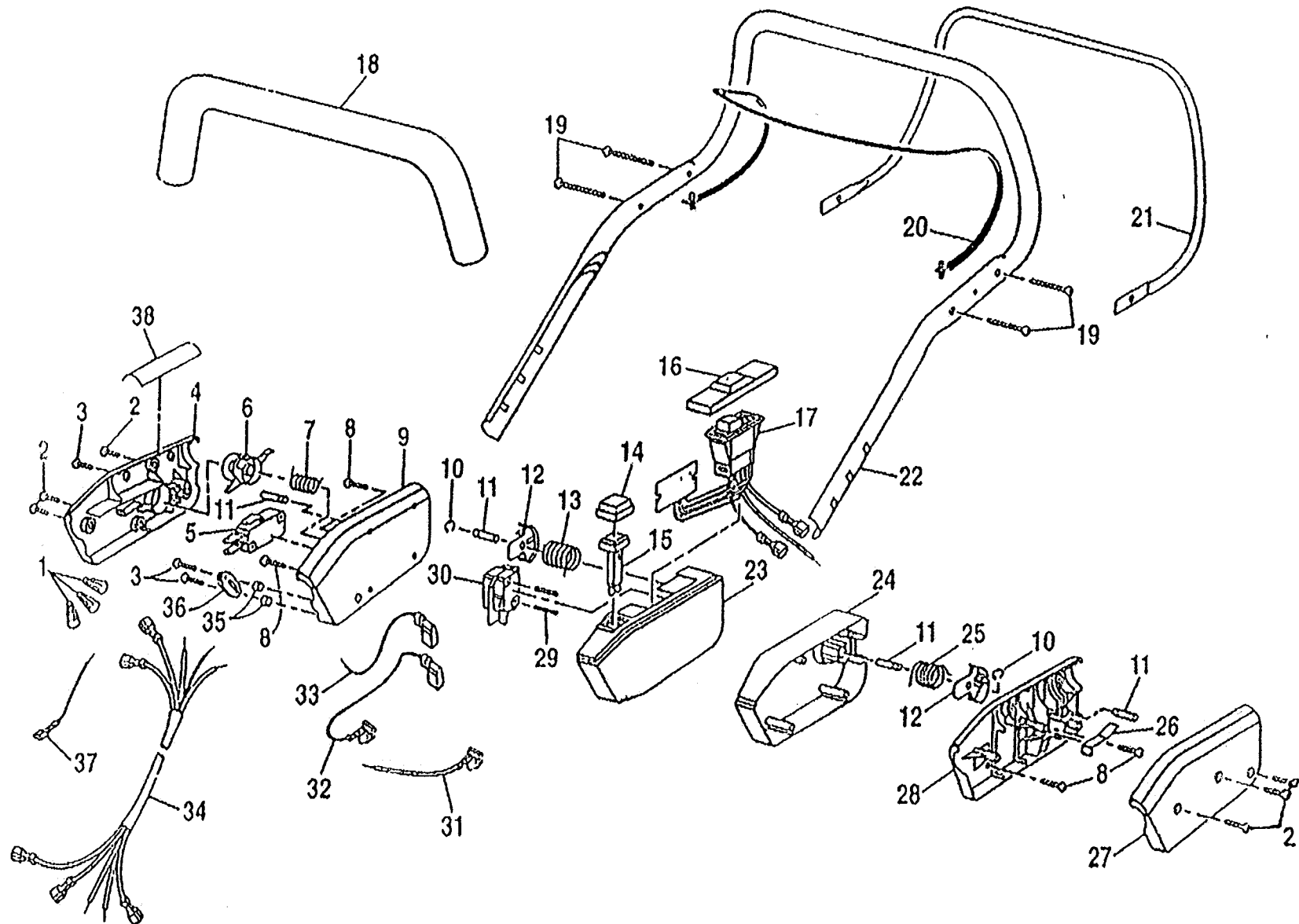
MODEL BMP2418 - Section B



MODEL BMP2418 - Section B

Item	Part No.	Description	Item	Part No.	Description
1	181270	7 in Hub Cap	44	181305	Gear
2	181271	Shoulder Bolt (#3/8-16 x 1 in)	45	181306	Transmission Support Housing
3	181272	7 in Wheel (includes no. 1)	46	181307	End Cover
4	181273	Screw (#10-32 x 3/8 in Pan Head)	47	181308	Woodruff Key
5	180575	Spring Washer	48	181309	Drive Motor Assembly (not shown-includes nos. 17, 18, 19, 20, 21, 22, 29, 32, 33, and 46)
6	181274	Dust Cover	49	181310	Drive Assembly (not shown-includes nos. 9, 10, 13, 14, 15, 36, 37, 38, 39, 40, 41, 42, 43, 44, 45, and 47)
7	181198	Screw (#8-18 x 3/4 in Pan Head)			
8	181275	Clamp			
9	181276	Retaining Ring			
10	181277	Gear			
11	181186	Pin			
12	180579	Retaining Ring			
13	181278	Right Pivot Assembly			
14	181279	Drive Shaft			
15	181280	Right Drive Shaft Cover			
16	181281	Height Adjustment Arm			
17	181282	Brush Assembly			
18	181283	Brush Tube Holder			
19	181284	Brush Tube			
20	181285	Brush Tube Clamp			
21	181286	Screw (#8-16 x 1/2 in Pan Head)			
22	181287	Screw (#8-10 x 2-5/8 in Pan Head Spl)			
23	181288	8 in Hub Cap			
24	181188	Shoulder Bolt (#3/8-16 x 1-7/16 in)			
25	181289	8 in Wheel (includes no. 23)			
26	181290	Rear Axle Assembly w/Lever			
27	180603	Height Adjustment Handle Knob			
28	180587	Spring			
29	181292	End Cover (output side)			
30	181293	Ball Bearing			
31	180596	Axle Strap			
32	181294	Armature (includes nos. 30, 34, and 35)			
33	181295	Field Assembly			
34	181296	Ball Bearing			
35	181297	Retaining Ring			
36	181298	Dowel Pin			
37	181299	Gear w/ Bearing			
38	181300	Transmission Cover Housing			
39	180647	Screw (#8-16 x 3/4 in Pan Head)			
40	181301	Drive Shaft Bushing			
41	181302	Left Pivot Assembly			
42	181303	Left Drive Shaft Cover			
43	181304	Washer			

MODEL BMP2418 - Section C



MODEL BMP2418 - Section C

1	181253	Wire Nut
2	181781	Screw (#6-19 x 5/8 in Pan Head)
3	181311	Screw (#6-19 x 5/8 in Pan Head)
4	180782	Right Housing Cover
5	181312	Switch
6	180783	Actuator Button
7	180784	Compression Spring
8	181198	Screw (#8-18 x 3/4 in Pan Head)
9	181313	Right Housing Support
10	180579	Retaining Ring
11	180785	Pin
12	181314	Bail Tip
13	181315	Right Torsion Spring
14	181316	Dust Cover
15	181317	Circuit Breaker
16	181318	Glamor Cap
17	181319	Variable Speed Switch
18	180790	Foam
19	181320	Screw (#8-16 x 1-1/2 in Pan Head)
20	181321	Speed Bail
21	180791	Actuator Bail
22	180789	Upper Handle
23	181322	Right Speed Control Housing
24	181323	Left Speed Control Housing
25	181324	Left Torsion Spring
26	180793	Spring
27	180792	Left Housing Cover
28	181325	Left Housing Support
29	181326	Pin
30	181327	Switch
31	181328	Blue Lead
32	181329	Black Lead
33	181330	Black Lead
34	181331	Cord Harness
35	181331	Spacer
36	180795	Cord Clamp
37	181333	Black Lead
38	181334	Label