

MODEL BMM2400

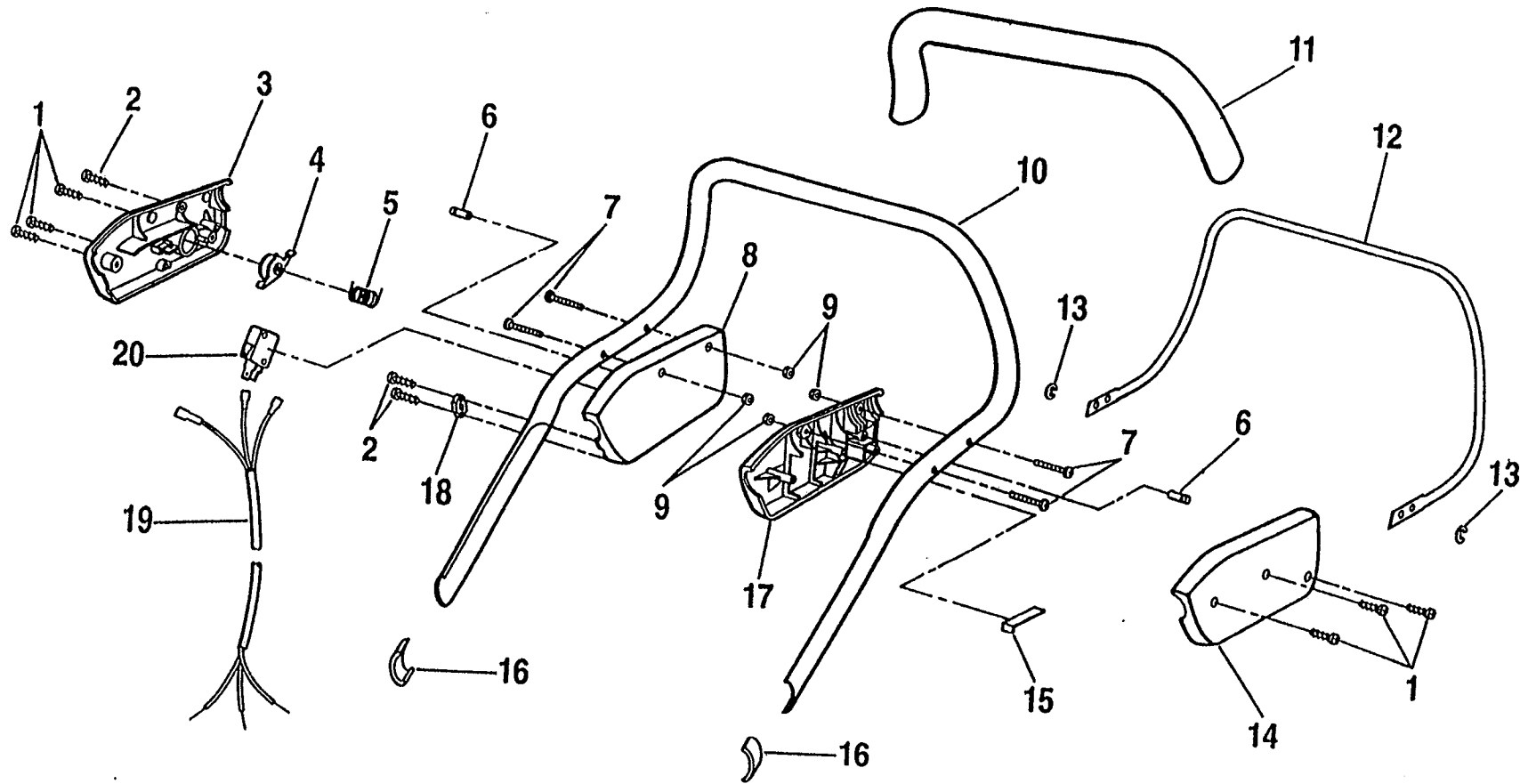
Serial No. Breaks:

- A) 70000-1 to 719260
- B) 719261 to 719763
- C) 719764 to 741079
- D) 741080 and greater

Item	Part No.	Description	Item	Part No.	Description
1	180570	Hex Lock Nut (10-32)	27	180643	Strain Relief
2	180710	End Cap (BOTTOM)	28	180638	Knob
3	180582	Hex Nut (1/4-20)	28A	180621	Washer (Lower Knobs Only)
4	180572	Insulator	29	180607	Shoulder Bolt
5	180573	Field	30	180616	End Cap (Handle Mounting Tube)
6	181196	Ball Bearing (NTN 6203LLU/1E)	31A	181229	Wire Clamp
7	180654	Retaining Ring	31BCD	181229	Tie Wrap
8AB	180574	Armature (includes nos. 6, 7, 9, and 10)	32	180584	Lower Handle
8CD	180955	Armature (includes nos. 6, 7, and 9)	32A	180617	End Cap (not required anymore)
9AB	180653	Ball Bearing (NTN 6001ZZC3/1E)	33	180620	Upper Handle
9CD	180963	Bushing	34BCD	181291	Terminal Housing
10CD	180957	Sleeve Bearing	35	180593	Control Panel Bracket
11AB	180598	End Cap	36ABC	180647	Screw (8-16 X 3/4 in pan head)
11CD	181197	End Cap (includes #10)	36D	181198	Screw (8-18 X 3/4 in same as nos. 17 and 83)
12	180656	Brush Tube	37	180623	LED
13	180599	Brush Assembly	38	180624	Disc Assembly
14	180600	Brush Terminal	39	180625	Control Panel Label
15ABC	180651	Screw (1-10 X 1/2 in Pan Head)	40ABC	180615	Data Plate
15D	180646	Screw (8-16 X 5/8 in Pan Head)	40D	181209	Data Plate
16	180650	Screw (10-32 X 5 19/64 in Pan Head)	41	180626	Danger Label
17ABC	180701	Screw (8-18 X 1 in Pan Head)	42	180627	Door Holder
17D	181198	Screw (8-18 X 3/4 - same as nos. 36 and 83)	43	180628	Recharging Port Door
18	180604	Turf Injector Label	44	180629	Battery Gauge (includes #45)
19	180611	Cover Label	45	180631	Battery Gauge Holder
20	180592	Motor Cover	46	180630	Push Nut (1/4 IN.)
21ABC	180686	Battery Strap w/Pad	47	180622	Control Panel
21D	181250	Battery Strap w/Pad	48	181231	White Lead
22	180648	Screw (10-14 X 3/4 in Pan Head)	49	180632	Screw (10-32 X 1/4 in Pan Head)
23	180645	Screw (6-19 X 3/4 in Pan Head)	50	180633	Washer
24	180657	Charger Module	51	180635	Square Nut
24A	180659	Charger Lead (also required)	52	180667	Fuse Terminal
25	181201	Wire Nut	53	180668	Receptacle Holder
26	180583	Handle Mounting Tube	54	180644	Black Lead
			55	180619	Transformer Cover
			56	180649	Fuse
			57	180660	Rectifier/Fuse Board

MODEL BMM2400

Item	Part No.	Description	Item	Part No.	Description
58	180581	Screw (6-32 X 1 1/2 in Pan Head)	86D	181341	Front Axle Assembly
59	181335	Washer	87A	180595	Rear Axle Assembly (includes no. 75)
60	180652	Transformer	87BCD	181342	Rear Axle Assembly (includes no. 75)
61	180618	Transformer Base	88A	180605	Blade Nut (9/16-18)
62	180580	Hex Nut (6-32)	88BCD	180949	Blade Nut (1/2-20)
63	180666R	Ignition Key/Circuit Breaker	89A	180590	Blade Washer
64	180585	Height Adjustment Bracket	89BCD	180948	Blade Washer
65	180637	Red Lead	90	180495R	18 in Turf Injector Blade
66ABC	180636	Red Lead	91A	180588	Spacer
66D	181336	Red Lead	91BCD	180947	Spacer
67	180658	Power Module	92A	180589	Shaft Washer
68	180576	Bolt (1/4-20 x 2 in hex)	92BCD	180946	Shaft Washer
69	180642	Washer	93ABC	180591	Mower Deck
70	180577	Bolt (1/4-20 x 1 5/8 in hex)	93D	181241	Mower Deck
71	180639	Left Deck Bracket	94	180640	Right Deck Bracket
72	180606	Rear Deflector	95	160664	Hex Bolt (M5 x 10)
73	180641	Bolt (1/4-20 X 5/8 in hex)	96	180663	Washer
74	180597	Deflector Retainer	97	180662	Black Lead
75	180603	Height Adjustment Handle Knob	98	181216	Battery Assembly
76	180575	Spring Washer	99	180665	Hex Nut (M5)
77A	180612	Shoulder Bolt (3/8-16 x 1 5/8 in)	100A	180608	7 in Wheel
77BCD	181188	Shoulder Bolt (3/8-16 x 1 7/16 in)	100BC	181343	7 in Wheel (same as 78BC)
78A	-----	Hub Cap (Obsolated)	100D	181190	7 in Wheel (includes no. 78)
78BC	181337	Hub Cap	101A	-----	Hub Cap (same as no. 78)
78D	181189	7 in Hub Cap	101BC	181337	Hub Cap (same as no. 78)
79A	180609	8 in Wheel	101D	181344	8 in Hub Cap
79BC	181338	8 in Wheel (includes no. 78)	102E	181178	Danger Label
79D	181339	8 in Wheel (includes no. 101)	103E	181269	Access Door Label
80	180579	Retaining Ring	104	180945	Motor Assembly (includes 88, 89, 91, and 92)
81	181281	Height Adjustment Arm			
82	180596	Axle Strap			
83ABC	180646	Screw (8-16 x 5/8 in pan head)			
83D	181198	Screw (8-18 x 3/4 in same as nos. 17 and 36)			
84ABC	180613	Pin			
84D	181186	Pin			
85	180587	Spring			
86A	180594	Front Axle Assembly			
86BC	181340	Front Axle Assembly			



Item	Part No.	Description	Item	Part No.	Description
1	180781	Screw (#6-19 X 5/8" Pan Hd.)	11	180790	Foam Grip
2	180645	Screw (#6-19 X 3/4" Pan Hd.)	12	180791	Actuator
3	180782	Right Housing Cover	13	180579	Retainer Clip
4	180783	Actuator Button	14	180792	Left Housing Cover
5	180784	Spring	15	180793	Spring
6	180785	Pin	16	180617	End Cap
7	180786	Screw (#8-32 X 1" Pan Hd.)	17	180794	Left Housing Support
8	180787	Right Housing Support	18	180795	Cord Clamp
9	180788	Hex Nut (#8-32)	19	180796	Cord Harness
10	180789	Upper Handle	20	180797	Switch