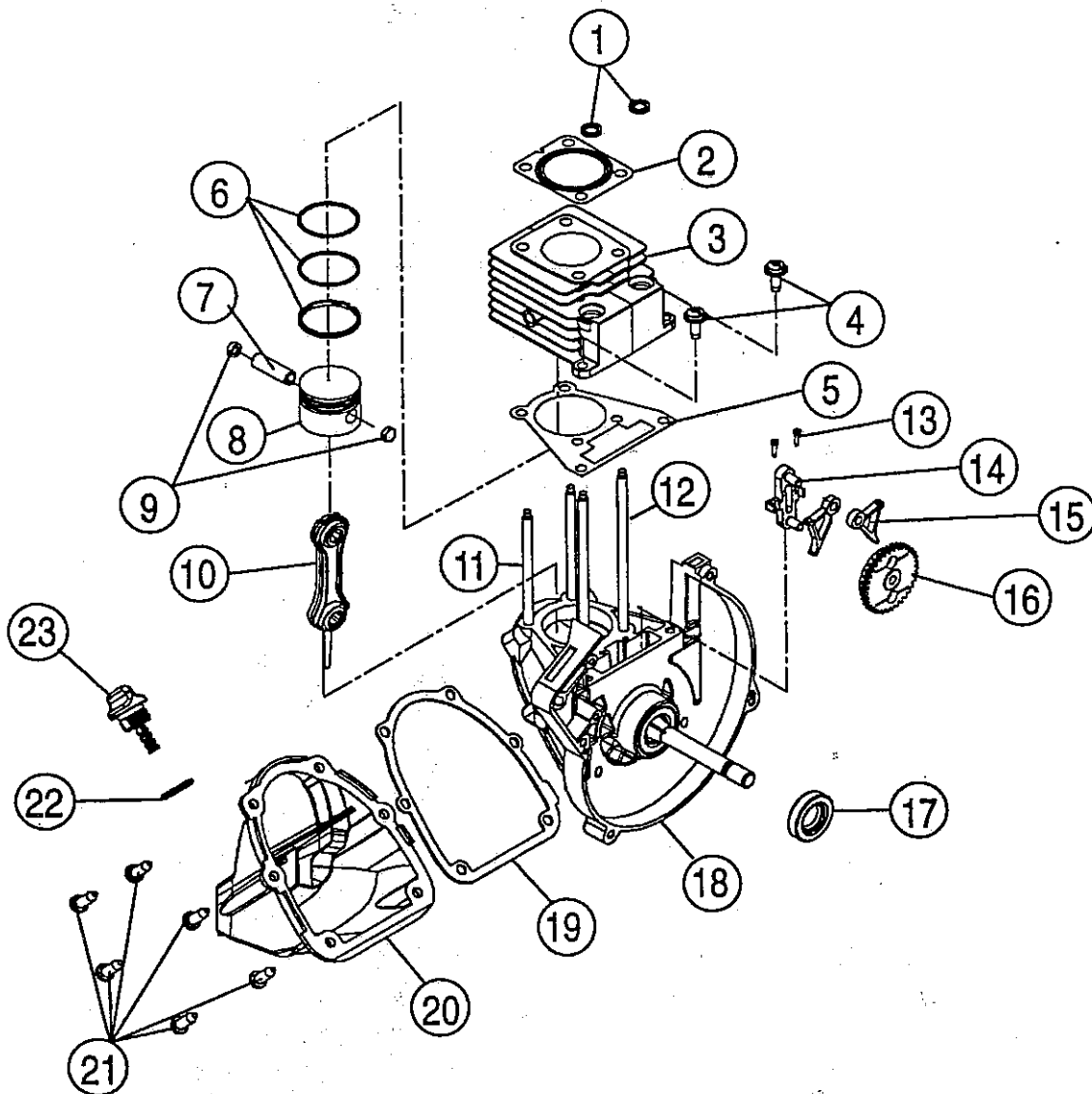


CYLINDER & FOR PINK CASE ASSEMBLY MODEL 606-561-4983
 (Serial no. 403026296 and greater)



Item	Part No.	Description
1	181000	O-Ring, Push Rod Tube
2	181001	Gasket, Cylinder Head
3	181002	Cylinder
4	181003	Screw, M5 X 18.7mm
5	181004	Gasket, Cylinder
6	181005	Piston Ring Set
7	181006	Pin, Wrist
8	181007	Piston
9	181008	Button, Wrist Pin
10	181009	Rod, Connecting
11	181010	Cylinder Stud (83.5mm)
12	181011	Cylinder Stud (115.5mm)
13	181012	Screw, Cam Bracket
14	181013	Bracket, Cam

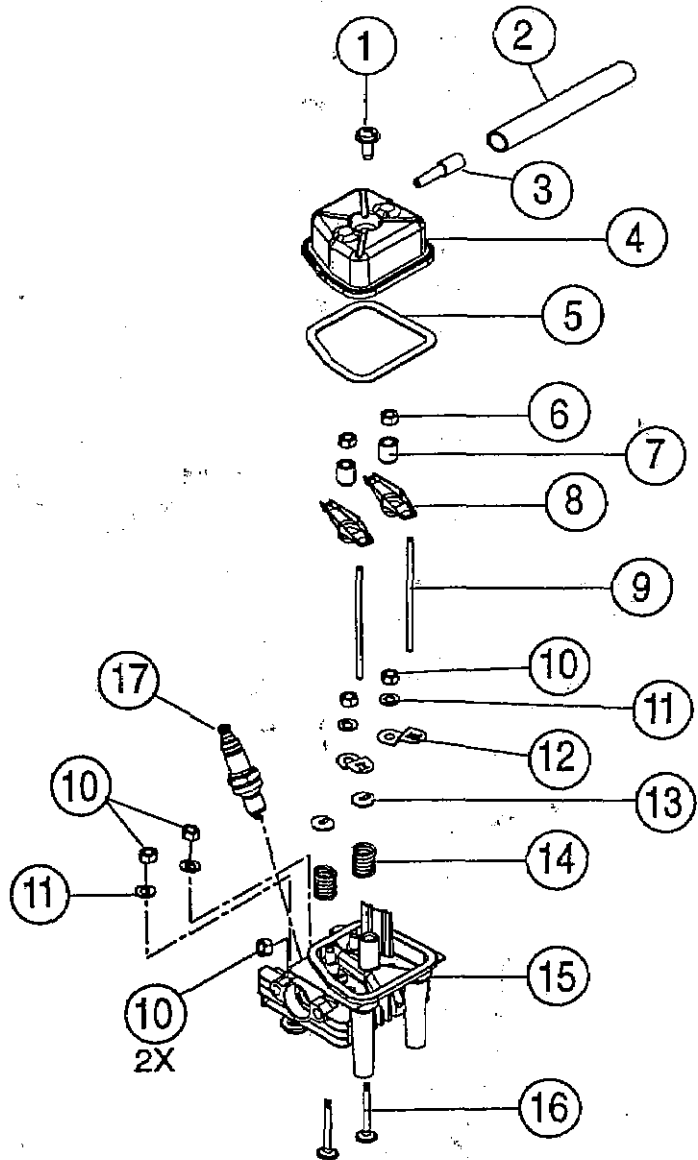
Item	Part No.	Description
15	181014	Follower, Cam
16	181015	Cam Gear
17	181016	Seal
18	181017	Crankcase W/Power Shaft (includes items 11, 12 & 17)
19	181018	Gasket, Oil Pan
20	181019	Pan, Oil
21	181020	Screw, M5 X 15.8mm (6 required)
22	181021	O-Ring
23	181022	Plug, Oil Fill (includes item 22)
*	181023	Piston and Rod Assembly (items 6-10)
*	181024	Engine Gasket Kit

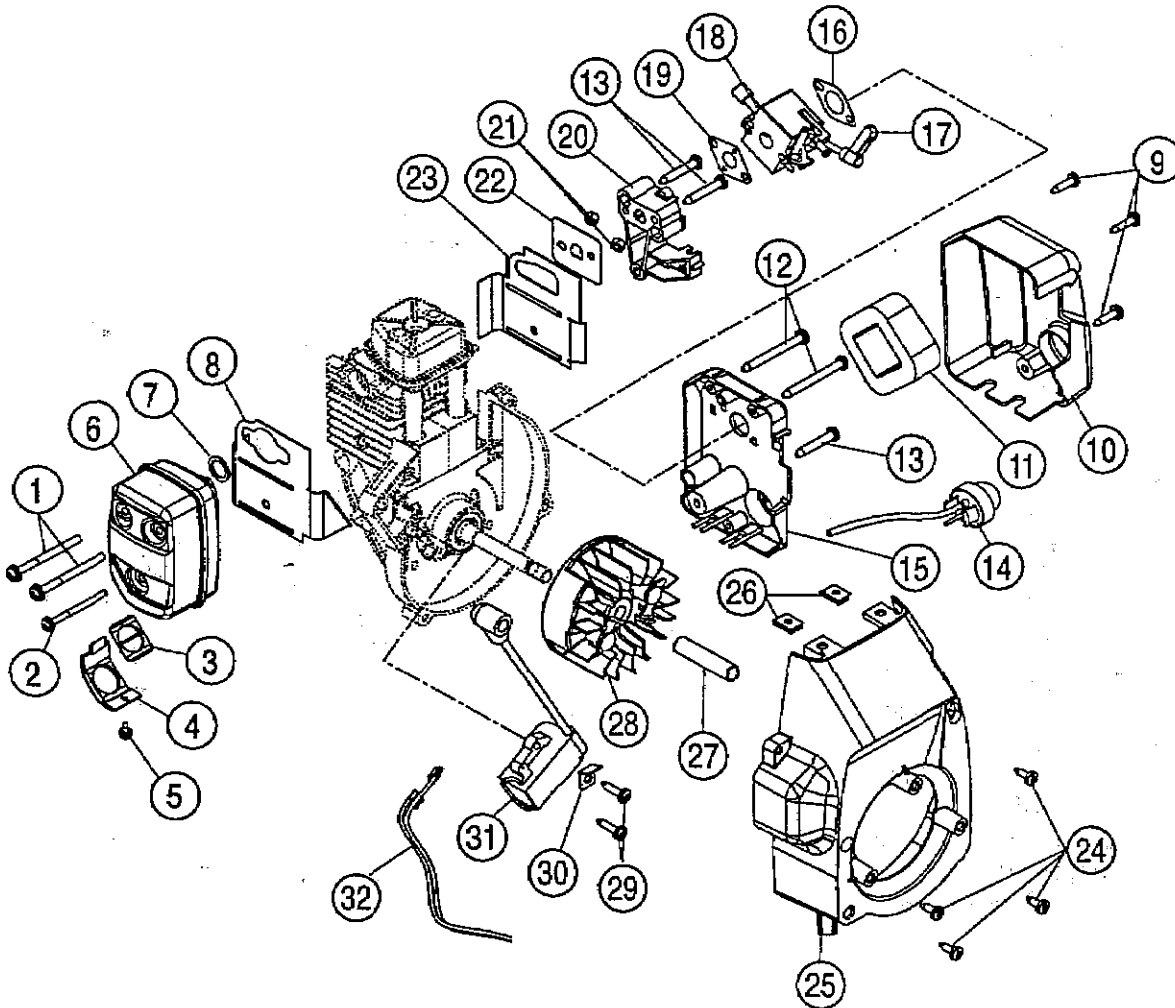
* not shown

CYLINDER HEAD ASSEMBLY - MODEL 970r

(Serial no. 403026296 and greater)

Item	Part No.	Description
1	181025	Screw, Valve Cover
2	181026	Hose, Breather
3	181027	Breather Assembly
4	181028	Cover, Valve
5	181029	Gasket, Valve Cover
6	181030	Nut, Rocker Adjusting
7	181031	Pivot, Rocker Arm
8	181032	Arm, Rocker
9	181033	Rod, Push
10	181034	Nut, Hex 5M
11	181035	Washer
12	181036	Guide, Push Rod
13	181037	Retainer, Valve Spring
14	181038	Spring, Valve
15	181039	Head, Cylinder
16	181040	Valve
17	180852	Spark Plug
*	181041	Cylinder Head Assembly (items 13-16)
*	181042	Short Block Assembly (all items from pages 2 & 3)
*		not shown



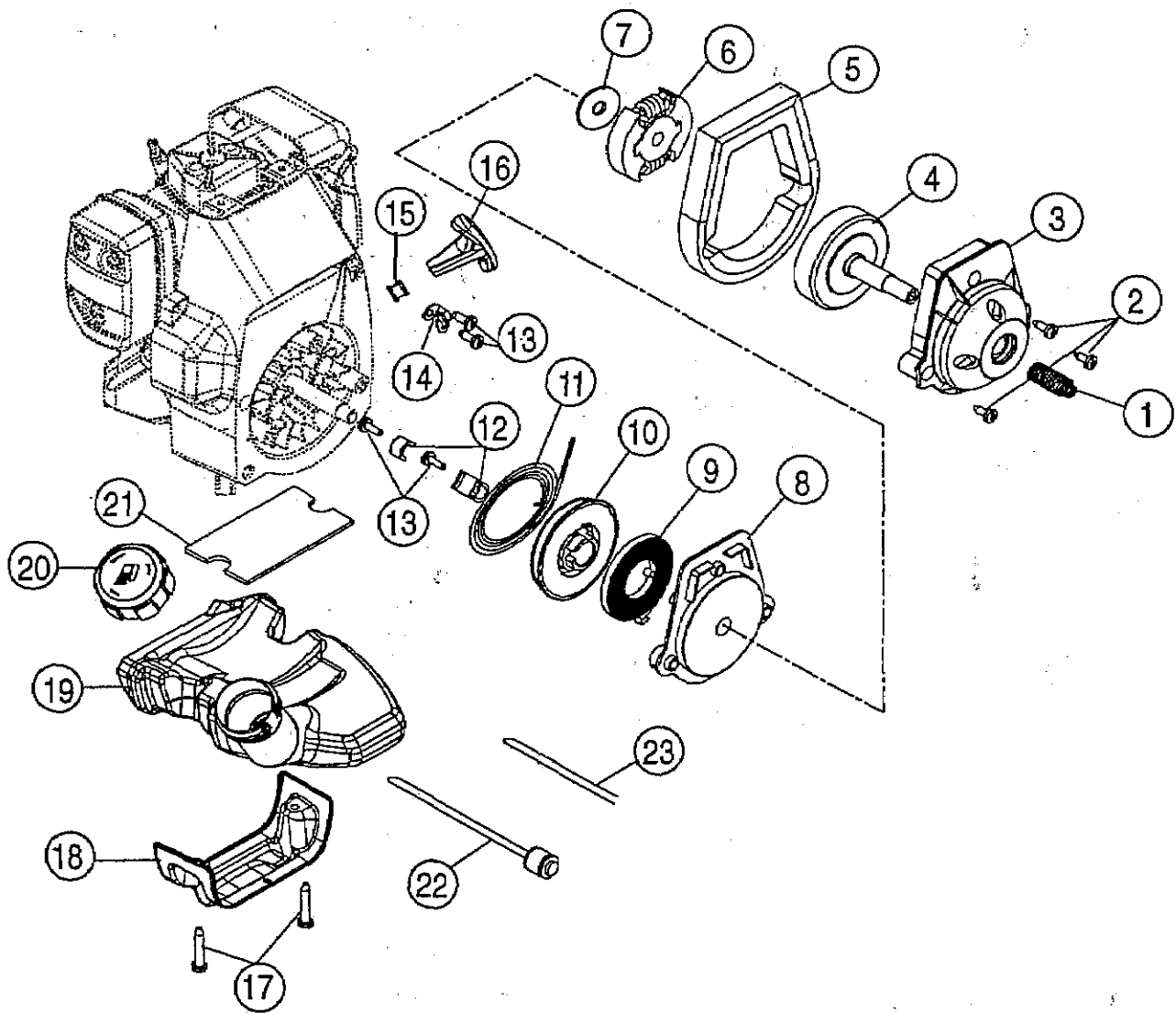


Item	Part No.	Description
1	181043	Screw, Muffler Mounting
2	181044	Screw, Muffler Mounting
3	180890	Screen, Spark Arrestor
4	181045	Cover, Screen
5	181046	Screw, Screen Cover
6	181047	Muffler (includes items 1-5 & 7)
7	181048	Gasket, Muffler
8	181049	Baffle, Muffler
9	181050	Screw, Air Filter Cover
10	181051	Cover, Air Filter
11	180350	Filter, Air
12	181052	Screw, Air Filter Base (52.5mm)
13	181053	Screw, M5 X 29mm
14	181054	Primer and Line Assembly
15	181055	Base, Air Filter
16	181056	Gasket
17	181057	Lever, Choke
18	181058	Carburetor W/Choke Lever
19	181059	Gasket

Item	Part No.	Description
20	181060	Insulator, Carb Mount
21	181034	Nut, Hex 5M
22	181061	Gasket, Intake
23	181062	Baffle, Intake
24	181003	Screw, M5 X 18.7mm
25	181063	Housing, Fan
26	181064	Nut, Tinnerman
27	181065	Spacer
28	153624	Flywheel
29	181066	Screw, Module
30	611063	Tab, Ground
31	181067	Module, Ignition
32	181094	Lead, Wire 18" (2 required)
*	610676	Key, Flywheel
*	180142	Flywheel Starter Pawl Repair Kit
*	181068	O.E.M. Carburetor Repair Kit
*	181069	Gasket-Diaphragm Repair Kit
*		not shown

MODEL 970r

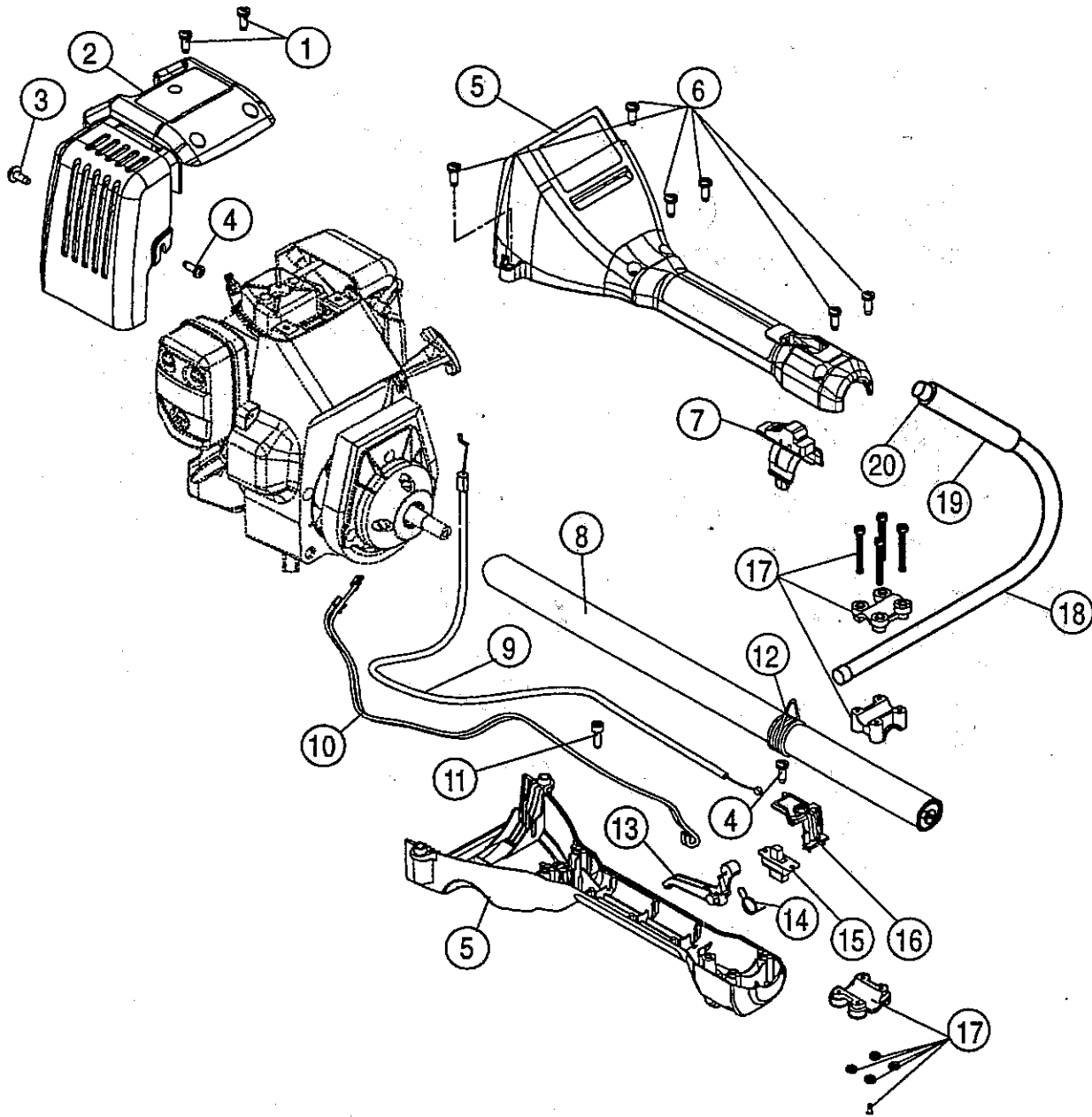
(Serial no. 403026296 and greater)



Item	Part No.	Description
1	612468	Spring, Compression (970r and 990r only)
2	181070	Screw, M5 X 32mm
3	181071	Housing, Clutch
4	180232	Drum, Clutch
*	181102	Clutch Housing Assembly W/Drum (items 3 & 4)
5	181072	Isolator
6	181073	Clutch
7	181074	Washer, Clutch
*	181087	Starter Module Assembly (items 8-13, 15 & 16)
8	181075	Housing, Starter
9	613102	Spring, Starter
10	180535	Pulley, Starter
11	613103	Rope, Starter

Item	Part No.	Description
12	181076	Retainer, Starter Pulley
13	181077	Screw, M4 X 12.7mm
14	181078	Retainer, Rope Guide
15	611061	Guide, Rope
16	181079	Handle, Starter
17	181080	Screw, Fuel Tank Bracket
18	181081	Bracket, Fuel Tank
19	181082	Tank, Fuel (includes items 20, 22 & 23)
20	181083	Cap, Fuel
21	181084	Pad, Fuel Tank
22	181085	Fuel Line Assembly W/Filter
23	181086	Line, Fuel Return

* not shown



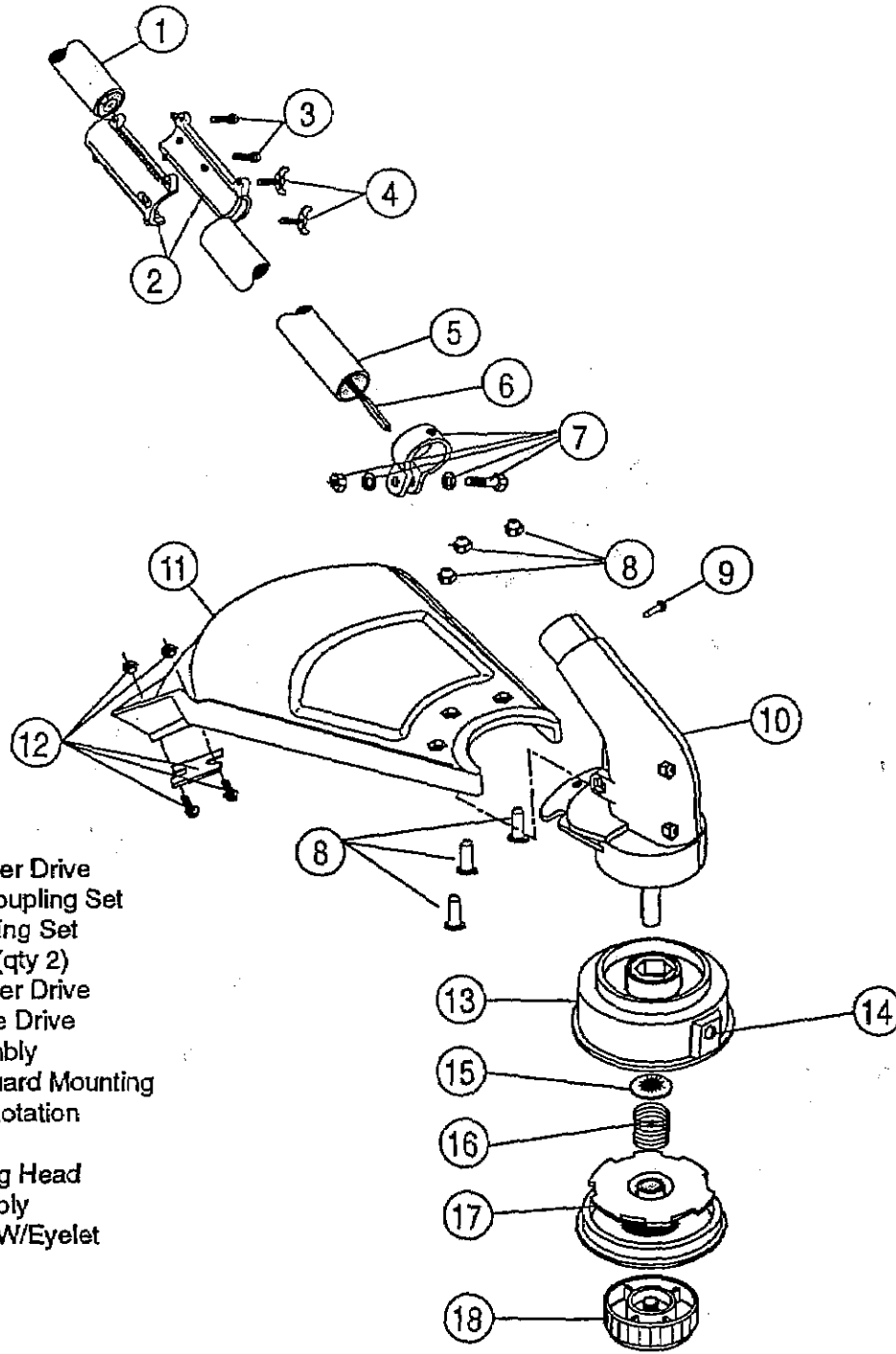
Item	Part No.	Description
1	181020	Screw, M5 X 15.8mm
2	181088	Cover, Engine
3	181089	Screw, M5 X 15.78mm SEMS
4	181104	Screw, Engine Cover
5	181090	Handle, Assembly
6	181070	Screw, M5 X 32mm
7	181091	Slide, Switch
8	181092	Housing, Upper Drive (970r and 990r only)
8	181105	Housing, Upper Drive (960r only)
9	181093	Cable, Throttle
10	181094	Lead, Wire 18" (2 required)

Item	Part No.	Description
11	181095	Screw, Anti-Rotation
12	610327	Clip, Shoulder Strap
13	181096	Trigger
14	610314	Spring
15	181097	Switch
16	181098	Retainer, Switch & Trigger
17	683295	Handle Bracket Assembly
18	181099	J-Handle Assembly (items 19 & 20)
19	612831	Grip
20	612021	Tube Closure
*	181103	Decal Kit

* not shown

LOWER BOOM & CUTTING HEAD ASSEMBLY - MODEL 970r

(Serial no. 403026296 and greater)



Item	Part No.	Description
1	181092	Housing, Upper Drive
2	683605	Split Boom Coupling Set
3	683606	Screw, Coupling Set
4	683607	Screw, Wing (qty 2)
5	180689	Housing, Lower Drive
6	683608	Shaft, Flexible Drive
7	153597	Clamp Assembly
8	180547	Hardware, Guard Mounting
9	145569	Screw, Anti-Rotation
10	180549	Gearbox
11	180548	Guard, Cutting Head
12	180553	Blade Assembly
13	153619	Spool, Outer W/Eyelet
14	145566	Eyelet
15	610660	Retainer
16	610317	Spring
17	153600	Reel, Inner
18	153066	Bump Head Knob Assembly

Optional Accessories

- * 610375 Monofil Cutting Line (50 ft)
- * 153577 Spool and Line (30 ft) Assembly
- * 682075 Shoulder Strap Assembly
- * 181100 Oil, SAE 30 100ml Bottle
- * 181101 Spout, Oil Fill

* not shown