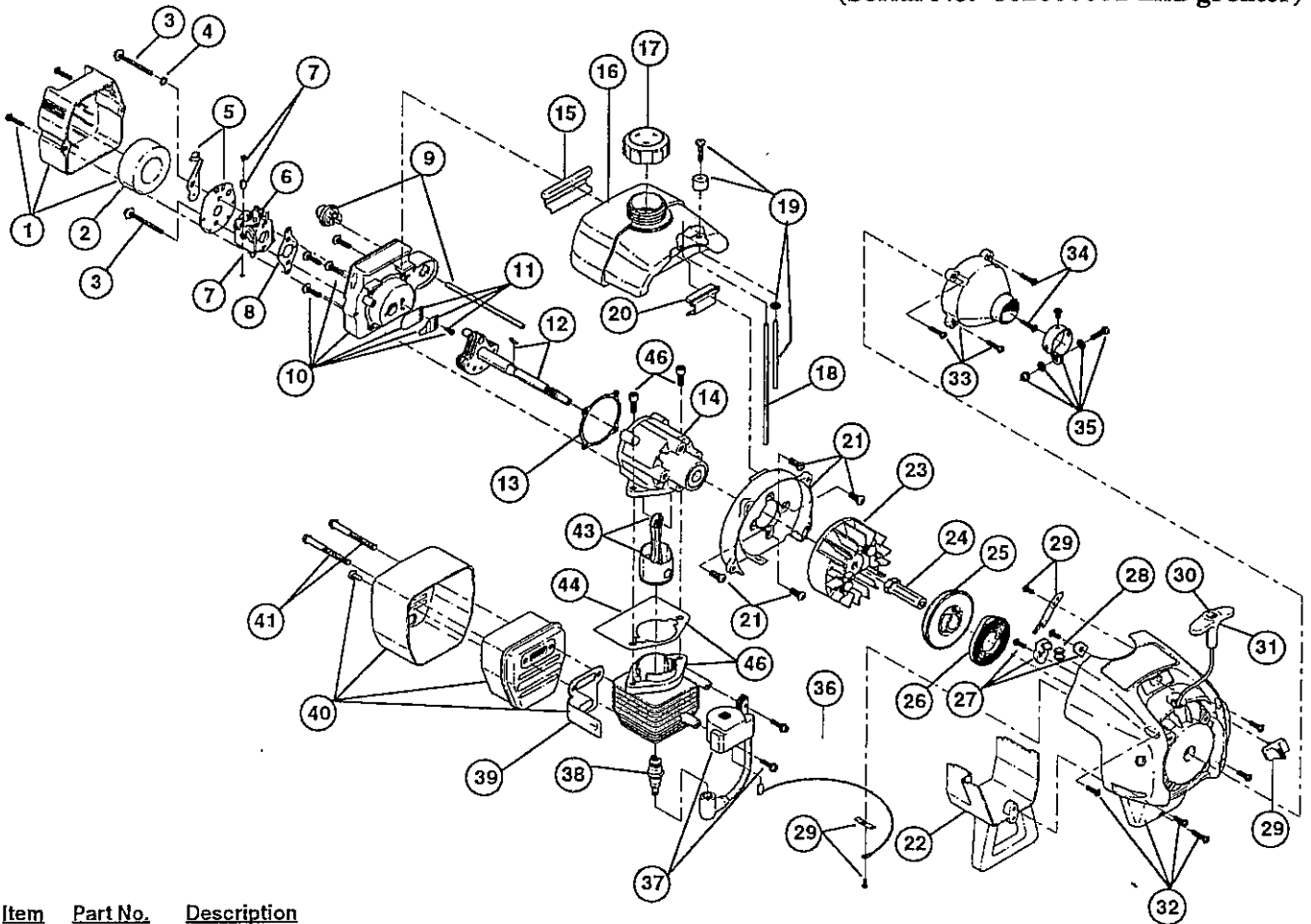


ENGINE PARTS - MODEL 766r

(Serial No. 602000001 and greater)

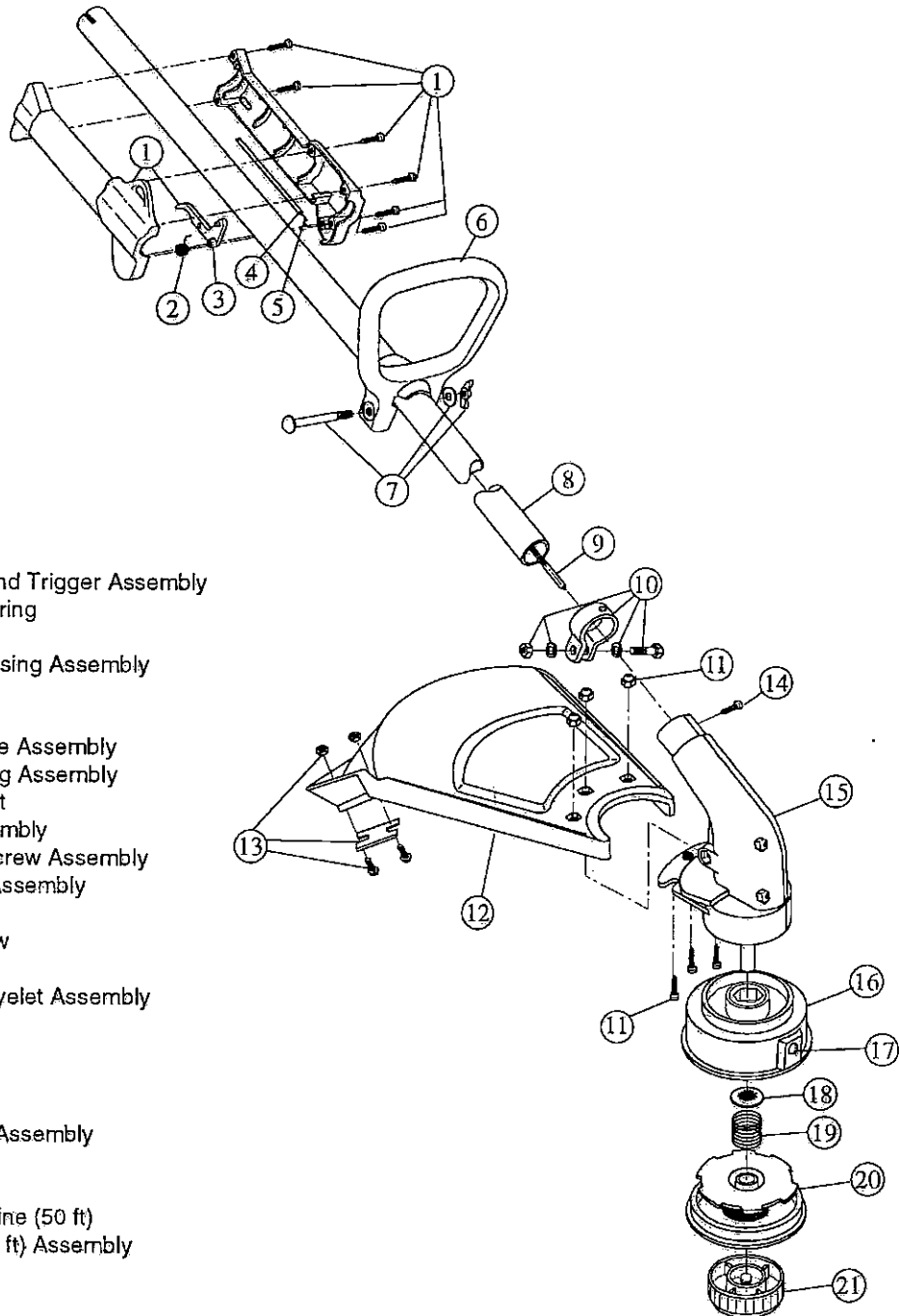


Item	Part No.	Description
1	180349	Carburetor/Air Cleaner Cover Assembly (includes item 2)
2	180350	Air Cleaner Filter
3	180351	Carburetor Mounting Screw Assembly
4	180352	Wavey Washer
5	180353	Choke Lever and Plate
6	180985	Carburetor Assembly W/Limiter Caps
7	682048	Throttle Adjustment Assembly (Walbro)
7	180092	Throttle Adjustment Assembly (Zama)
8	610675	Carburetor Gasket (10 pack)
9	181558	Primer and Hose Assembly
10	180354	Carb Mount Assembly
11	147573	Reed Assembly
12	180002	Power Shaft Assembly
13	612115	Carburetor Mount Gasket (10 pack)
14	180009	Crank Case Service Assembly (includes 12)
15	612134	Rear Mounting Pad
16	181438	Fuel Tank Assembly (includes 17-19)
17	181559	Fuel Cap Assembly
18	181168	Fuel Return Line
19	682039	Fuel Line Assembly
20	145308	Front Mounting Pad
21	153520	Shroud Assembly
22	153403	Shroud Extension and Stand
23	180929	Flywheel Assembly
24	610303	Square Drive Nut
25	181597	Recoil Pulley Assembly
26	613102	Recoil Spring
27	181441	Pulley Retainer Assembly
28	611061	Rope Guide
29	181442	Switch Assembly
30	610300	Pull Handle
31	613103	Rope
32	181443	Starter Housing Assembly

Item	Part No.	Description
33	180098	Clutch Cover Assembly
34	181345	Clutch Cover Screw
35	153597	Upper Clamp Assembly
36	180036	Wire Lead
37	683390	Module Assembly
38	610311	Spark Plug
39	180980	Exhaust Gasket
40	180119	Muffler Assembly (includes 41)
41	147575	Muffler Mounting Bolt Assembly
42	180063	Cylinder Assembly
43	147012	Piston and Rod Assembly
44	610674	Cylinder Gasket (10 pack)
*	180034	Engine Hardware Kit
*	180011	Engine Gasket Kit
*	180602	O.E.M. Carburetor Repair Kit (Walbro)
*	180090	O.E.M. Carburetor Repair Kit (Zama)
*	181069	Gasket Diaphragm Repair Kit (Walbro)
*	180091	Gasket Diaphragm Repair Kit (Zama)
*	180530	Piston Ring
*	180027	Short Block Assembly (items 12, 14, 38, 42-44)
*	610676	Flywheel Key (10 pack)
*	147544	Starter Housing Screw Set
*	180986	Carburetor Limiter Cap Set (Walbro)
*	181562	Carburetor Limiter Cap Set (Zama)
*	610309	Crankcase Seal
*		not shown

BOOM AND TRIMMER PARTS - MODEL 766r

(Serial No. 602000001 and greater)



Item	Part No.	Description
1	180981	Throttle Housing and Trigger Assembly
2	610314	Throttle Trigger Spring
3	180975	Throttle Trigger
4	181554	Throttle Cable Housing Assembly
5	180127	Throttle Cable
6	145819	D-Handle
7	153523	D-Handle Hardware Assembly
8	181590	Drive Shaft Housing Assembly
9	682064	Flexible Drive Shaft
10	153597	Lower Clamp Assembly
11	180547	Guard Mounting Screw Assembly
12	180548	Guard and Blade Assembly
13	180553	Blade Assembly
14	145569	Anti-Rotation Screw
15	180549	Gearbox Assembly
16	153619	Outer Spool and Eyelet Assembly
17	145569	Eyelet
18	610660	Retainer (10 pack)
19	610317	Spring
20	153600	Inner Reel
21	153066	Bump Head Knob Assembly

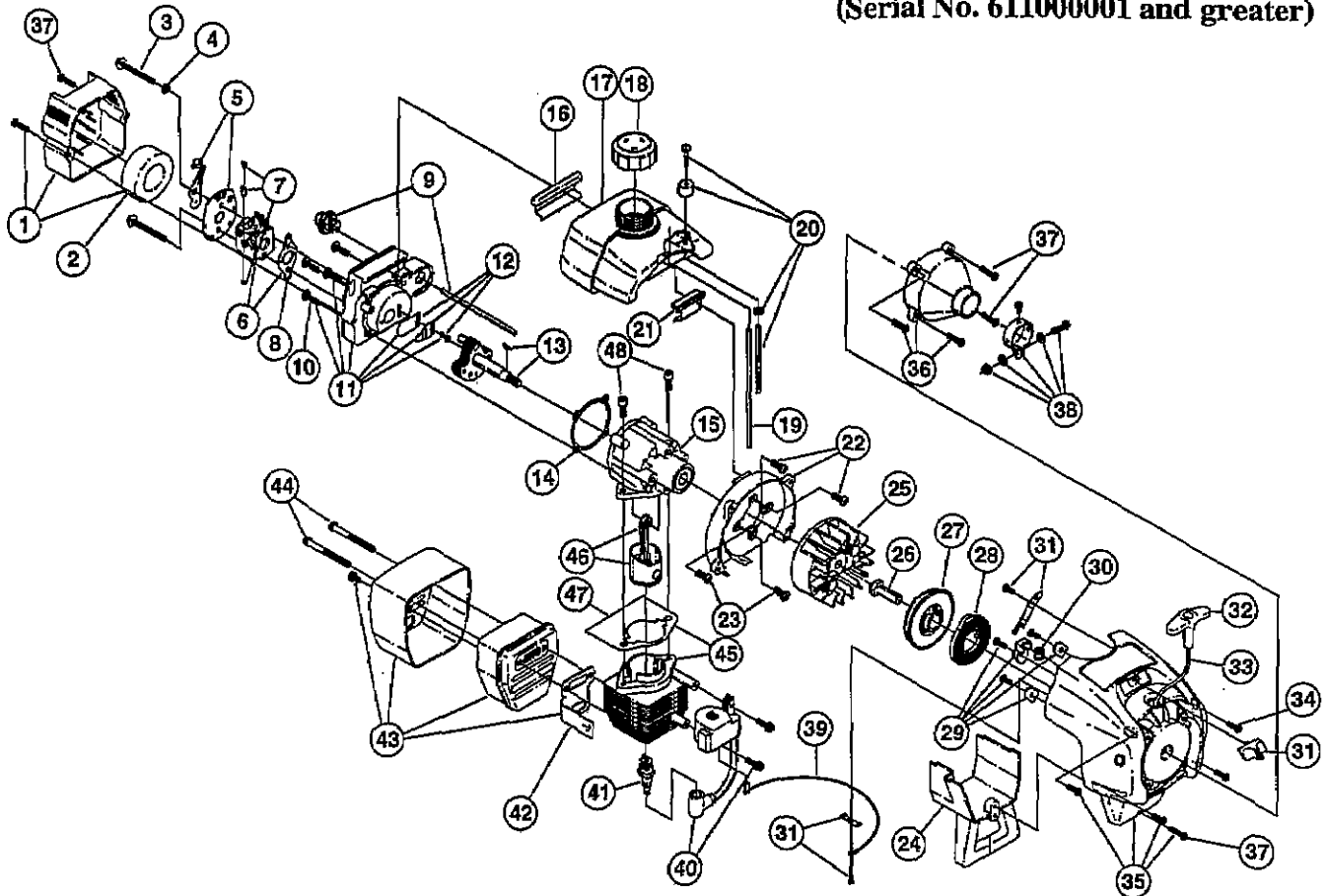
Optional Accessories

- * 610375 Monofil Cutting Line (50 ft)
- * 153577 Spool and Line (25 ft) Assembly

* not shown

ENGINE PARTS - MODEL 766r

(Serial No. 611000001 and greater)

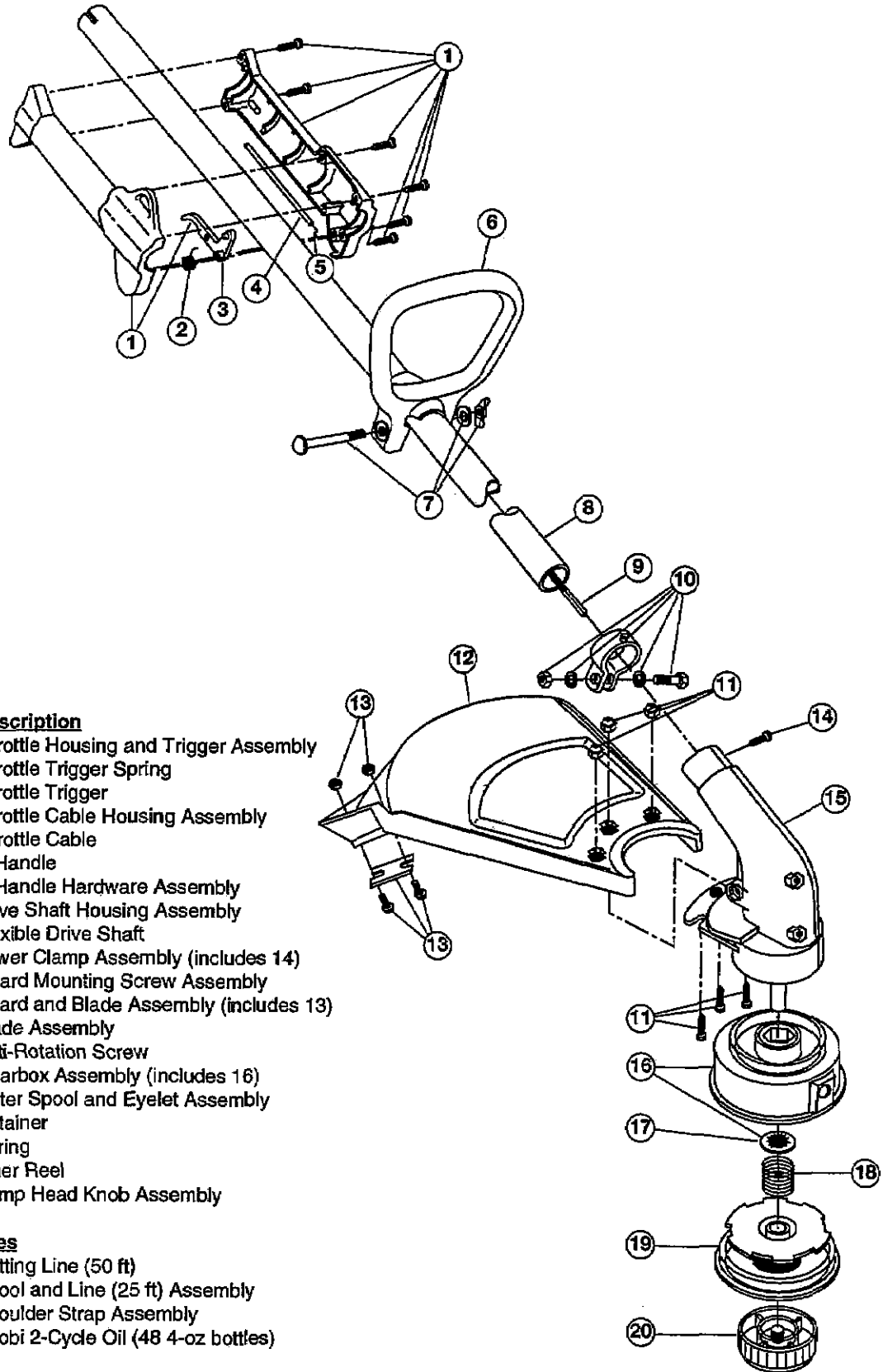


Item	Part No.	Description
1	180349	Carburetor/Air Cleaner Cover Assembly
2	180350	Air Cleaner Filter
3	180351	Carburetor Mounting Screw Assembly
4	180352	Wavey Washer
5	180353	Choke Lever and Plate
6	181621	Carburetor Assembly W/Limiter Caps
7	682048	Throttle Adjustment Assembly (Walbro)
7	180092	Throttle Adjustment Assembly (Zama)
8	610675	Carburetor Gasket
9	181558	Primer and Hose Assembly
10	181558	Carb Mount Screw
11	180354	Carb Mount Assembly (includes 14)
12	684451	Reed Assembly
13	180002	Power Shaft Assembly
14	612115	Carburetor Mount Gasket
15	180009	Crank Case Service Assembly (includes 13)
16	612134	Rear Mounting Pad
17	181438	Fuel Tank Assembly (includes 18-20)
18	181559	Fuel Cap Assembly
19	181168	Fuel Return Line
20	682039	Fuel Line Assembly
21	145308	Front Mounting Pad
22	153520	Shroud Assembly
23	181861	Shroud Screw
24	153403	Shroud Extension and Stand
25	180929	Flywheel Assembly
26	610303	Square Drive Nut
27	181597	Recoil Pulley Assembly
28	613102	Recoil Spring
29	181441	Pulley Retainer Assembly
30	611061	Rope Guide
31	181442	Switch Assembly (Includes 36)
32	181079	Pull Handle
33	613103	Rope

Item	Part No.	Description
34	181862	Housing Screw
35	181443	Starter Housing Assembly (includes 27-35 & 39)
36	180098	Clutch Cover Assembly
37	181345	Cover Screw
38	153597	Upper Clamp Assembly
39	180036	Wire Lead
40	683390	Module Assembly
41	610311	Spark Plug
42	180980	Exhaust Gasket
43	180119	Muffler Assembly (includes 44)
44	147575	Muffler Mounting Bolt Assembly
45	181622	Cylinder Assembly (includes 48)
46	684449	Piston and Rod Assembly
47	610674	Cylinder Gasket
48	181870	Cylinder Bolt
*	180011	Engine Gasket Kit
*	180602	O.E.M. Carburetor Repair Kit (Walbro)
*	180090	O.E.M. Carburetor Repair Kit (Zama)
*	181069	Gasket Diaphragm Repair Kit (Walbro)
*	180091	Gasket Diaphragm Repair Kit (Zama)
*	180530	Piston Ring
*	181670	Short Block Assembly (items 13, 15, 41, 45-48)
*	610676	Flywheel Key
*	181501	Starter Housing Screw Set
*	180986	Carburetor Limiter Cap Set (Walbro)
*	181562	Carburetor Limiter Cap Set (Zama)
*	610309	Crankcase Seal
*		not shown

BOOM AND TRIMMER PARTS - MODEL 766r

(Serial No. 611000001 and greater)



Item	Part No.	Description
1	181557	Throttle Housing and Trigger Assembly
2	610314	Throttle Trigger Spring
3	181556	Throttle Trigger
4	181554	Throttle Cable Housing Assembly
5	180127	Throttle Cable
6	145819	D-Handle
7	181587	D-Handle Hardware Assembly
8	181590	Drive Shaft Housing Assembly
9	682064	Flexible Drive Shaft
10	153597	Lower Clamp Assembly (includes 14)
11	180547	Guard Mounting Screw Assembly
12	180548	Guard and Blade Assembly (includes 13)
13	180553	Blade Assembly
14	145569	Anti-Rotation Screw
15	180549	Gearbox Assembly (includes 16)
16	153619	Outer Spool and Eyelet Assembly
17	610660	Retainer
18	610317	Spring
19	610318	Inner Reel
20	153066	Bump Head Knob Assembly

Optional Accessories

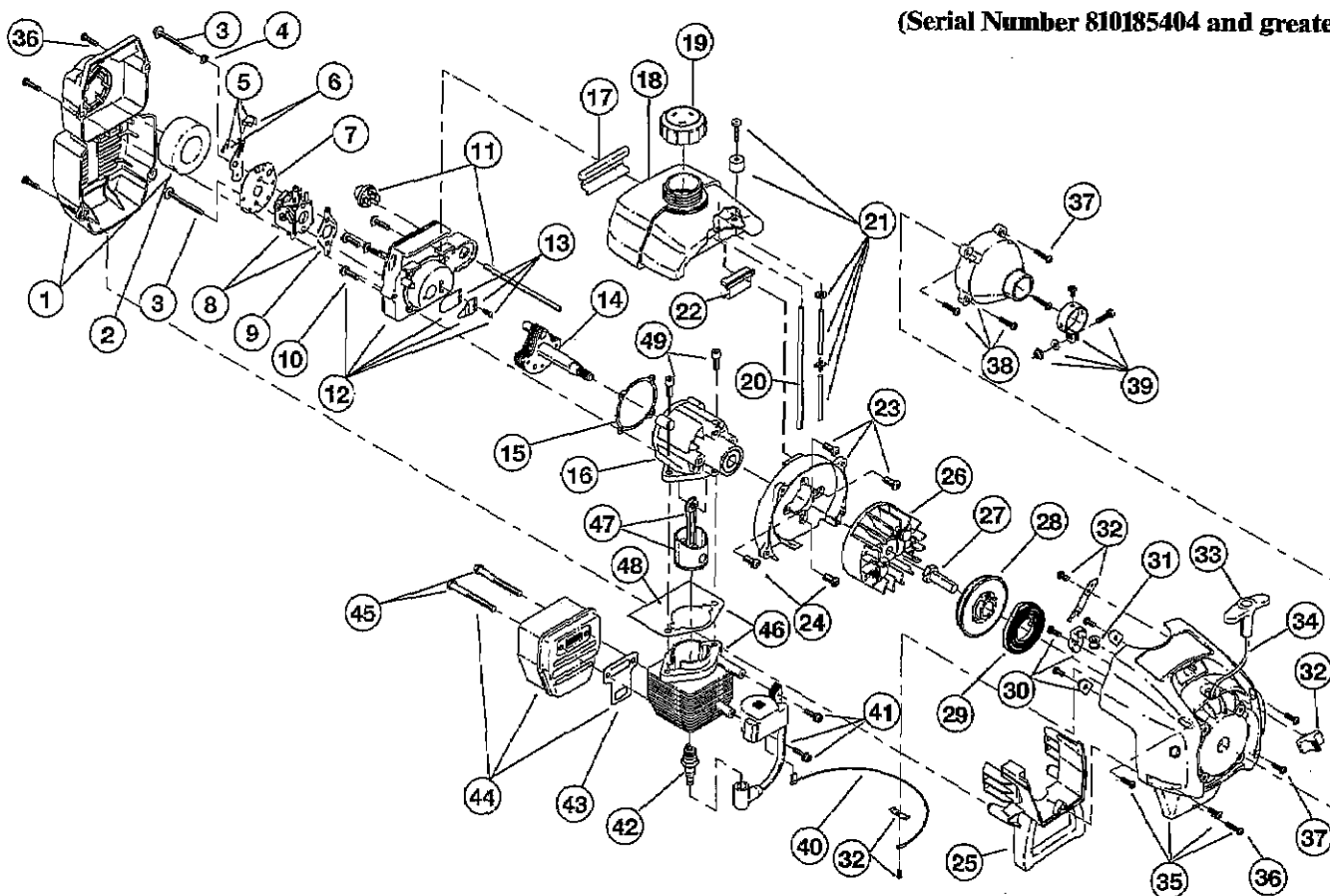
- * 610375 Cutting Line (50 ft)
- * 153577 Spool and Line (25 ft) Assembly
- * 682075 Shoulder Strap Assembly
- * 147541 Ryobi 2-Cycle Oil (48 4-oz bottles)

* not shown

ENGINE PARTS - MODEL 766r

2-CYCLE GAS TRIMMER

(Serial Number 810185404 and greater)



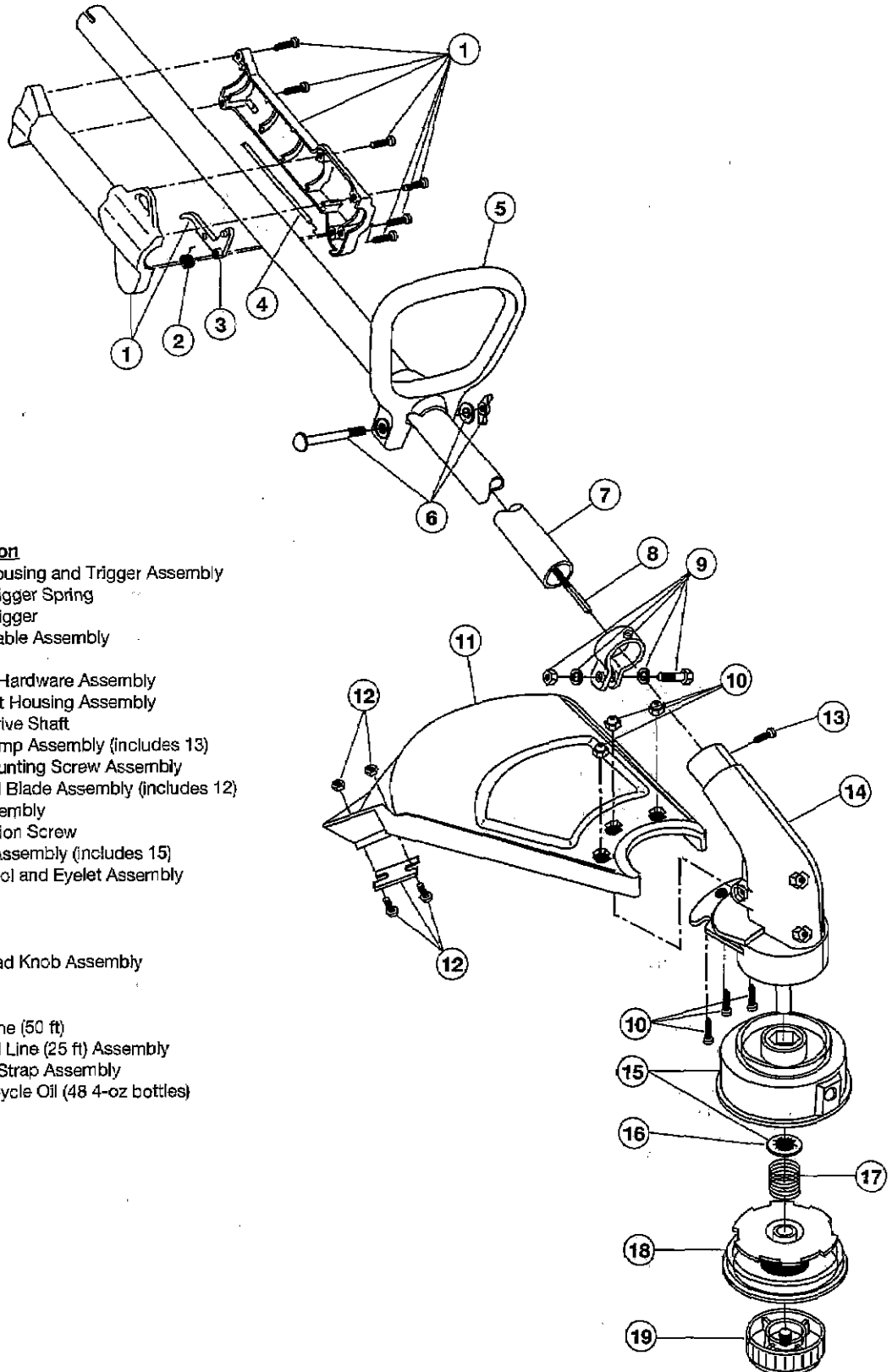
Item	Part No.	Description	Item	Part No.	Description
1	182059	Air Cleaner/ Muffler Cover Assembly (includes 2 & 36)	30	181441	Pulley Retainer Assembly
2	180350	Air Cleaner Filter	31	611061	Rope Guide
3	180351	Carburetor Mounting Screw Assembly	32	181442	Switch Assembly (includes 40)
4	180226	Wavey Washer	33	181079	Pull Handle
5	182061	Choke Lever Assembly (includes 6)	34	613103	Rope
6	182070	Choke Knob and Screw	35	181443	Starter Housing Assembly (includes 28-35 & 40)
7	182060	Choke Lever and Plate (includes 5)	36	181862	Housing Screw
8	182062	Carburetor Assembly w/Limiter Caps (includes 9 & 21)	37	181345	Cover Screw
9	610675	Carburetor Gasket	38	180098	Clutch Cover Assembly
10	181860	Carb Mount Screw	39	153597	Upper Clamp Assembly
11	181558	Primer and Hose Assembly	40	180036	Wire Lead
12	180354	Carb Mount Assembly (includes 15)	41	181937	Module Assembly
13	684451	Reed Assembly	42	610311	Spark Plug
14	181866	Power Shaft Assembly	43	182065	Exhaust Gasket
15	612115	Carburetor Mount Gasket	44	182066	Muffler Assembly (includes 43 & 45)
16	181865	Crank Case Service Assembly (includes 10, 14 & 24)	45	147575	Muffler Mounting Bolt Assembly
17	612134	Rear Mounting Pad	46	181622	Cylinder Assembly (includes 48 & 49)
18	181438	Fuel Tank Assembly (includes 19-21)	47	684449	Piston and Rod Assembly
19	181559	Fuel Cap Assembly	48	610674	Cylinder Gasket
20	181168	Fuel Return Line	49	181870	Cylinder Bolt
21	682039	Fuel Line Assembly	*	182067	Engine Gasket Kit
22	145308	Front Mounting Pad	*	180602	O.E.M. Carburetor Repair Kit (Walbro)
23	153520	Shroud Assembly	*	180090	O.E.M. Carburetor Repair Kit (Zama)
24	181361	Shroud Screw	*	181069	Gasket Diaphragm Repair Kit (Walbro)
25	182064	Shroud Extension and Stand	*	180091	Gasket Diaphragm Repair Kit (Zama)
26	181867	Flywheel Assembly	*	180530	Piston Ring
27	610303	Square Drive Nut	*	181863	Short Block Assembly (includes 10, 14, 16, 24, 42, 46-49)
28	181597	Recoil Pulley Assembly	*	181501	Starter Housing Screw Set
29	613102	Recoil Spring	*	610309	Crankcase Seal
			*	180030	Spark Arrestor Kit

* not shown

BOOM AND TRIMMER PARTS - MODEL 766r

2-CYCLE GAS TRIMMER

(Serial Number 810185404 and greater)



Item	Part No.	Description
1	181567	Throttle Housing and Trigger Assembly
2	610314	Throttle Trigger Spring
3	181566	Throttle Trigger
4	182068	Throttle Cable Assembly
5	145819	D-Handle
6	181587	D-Handle Hardware Assembly
7	181590	Drive Shaft Housing Assembly
8	682064	Flexible Drive Shaft
9	153597	Lower Clamp Assembly (includes 13)
10	180547	Guard Mounting Screw Assembly
11	180548	Guard and Blade Assembly (includes 12)
12	180553	Blade Assembly
13	145569	Anti-Rotation Screw
14	180549	Gearbox Assembly (includes 15)
15	153619	Outer Spool and Eyelet Assembly
16	610660	Retainer
17	610317	Spring
18	610318	Inner Reel
19	153066	Bump Head Knob Assembly

Optional Accessories

- * 610375 Cutting Line (50 ft)
- * 153577 Spool and Line (25 ft) Assembly
- * 682075 Shoulder Strap Assembly
- * 147541 Ryobi 2-Cycle Oil (48 4-oz bottles)

* not shown