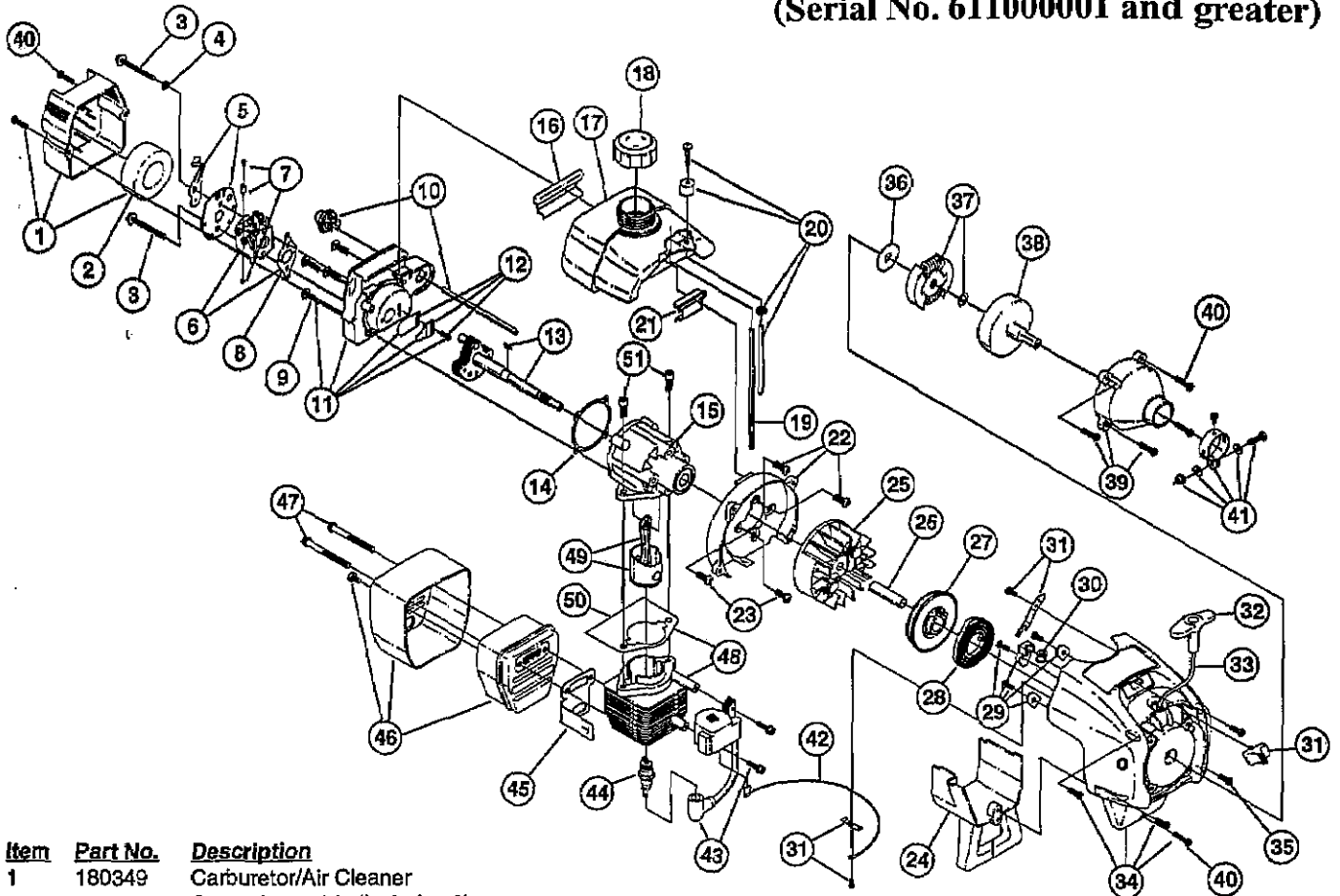


ENGINE PARTS - MODEL 705r
(Serial No. 61100001 and greater)

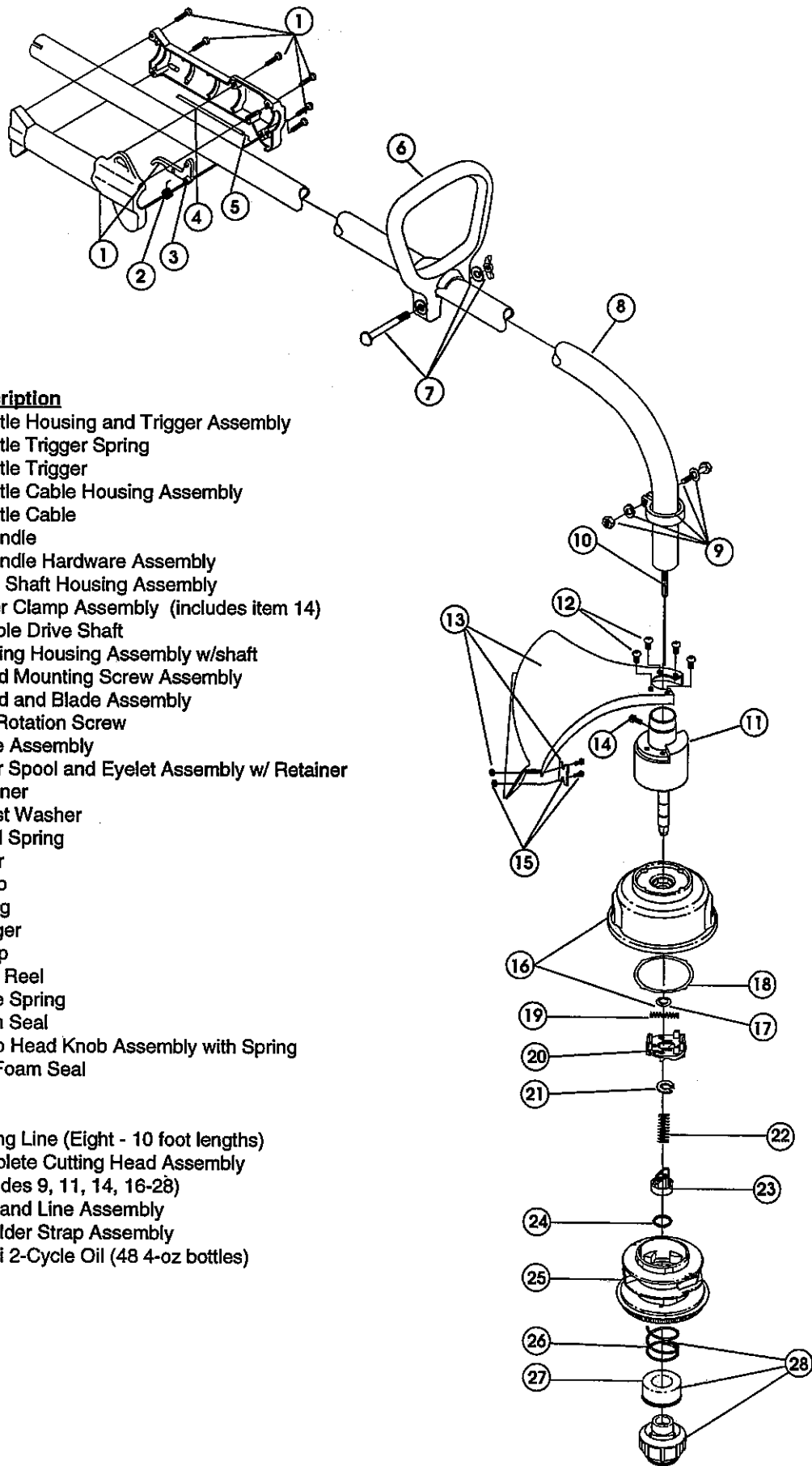


Item	Part No.	Description
1	180349	Carburetor/Air Cleaner Cover Assembly (includes 2)
2	180350	Air Cleaner Filter
3	180351	Carburetor Mounting Screw Assembly
4	180352	Wavey Washer
5	180353	Choke Lever and Plate
6	181621	Carburetor Assembly W/Limiter Caps (includes 20)
7	682048	Throttle Adjustment Assembly (Walbro)
7	180092	Throttle Adjustment Assembly (Zama)
8	610675	Carburetor Gasket
9	181860	Carb Mount Screw
10	181558	Primer and Hose Assembly
11	180354	Carb Mount Assembly
12	684451	Reed Assembly
13	181498	Power Shaft Assembly
14	612115	Carburetor Mount Gasket
15	180026	Crank Case Service Assembly (includes 13)
16	612134	Rear Mounting Pad
17	181438	Fuel Tank Assembly (includes 18-20)
18	181559	Fuel Cap Assembly
19	181168	Fuel Return Line
20	682039	Fuel Line Assembly
21	145306	Front Mounting Pad
22	153520	Shroud Assembly
23	181861	Shroud Screw
24	153403	Shroud Extension and Stand
25	180929	Flywheel Assembly
26	181065	Spacer
27	181597	Recoil Pulley Assembly
28	613102	Recoil Spring
29	181441	Pulley Retainer Assembly
30	611061	Rope Guide
31	181442	Switch Assembly (includes 42)
32	181079	Pull Handle
33	613103	Rope
34	181443	Starter Housing Assembly (includes 27-34 & 42)

Item	Part No.	Description
35	181862	Housing Screw
36	181074	Clutch Washer
37	181445	Clutch Rotor Assembly
38	153592	Clutch Drum Assembly
39	180098	Clutch Cover Assembly
40	181345	Cover Screw
41	153597	Upper Clamp Assembly
42	180036	Wire Lead
43	683390	Module Assembly
44	610311	Spark Plug
45	180980	Exhaust Gasket
46	180119	Muffler Assembly (includes 45 & 46)
47	147575	Muffler Mounting Bolt Assembly
48	181622	Cylinder Assembly (includes 51)
49	684449	Piston and Rod Assembly
50	610674	Cylinder Gasket
51	181870	Cylinder Bolt
*	180011	Engine Gasket Kit
*	180602	O.E.M. Carburetor Repair Kit (Walbro)
*	180090	O.E.M. Carburetor Repair Kit (Zama)
*	181069	Gasket Diaphragm Repair Kit (Walbro)
*	180091	Gasket Diaphragm Repair Kit (Zama)
*	180530	Piston Ring
*	181623	Short Block Assembly (includes 13, 15, 44, 48-51)
*	610676	Flywheel Key
*	181501	Starter Housing Screw Set
*	180986	Carburetor Limiter Cap Set (Walbro)
*	181562	Carburetor Limiter Cap Set (Zama)
*	610309	Crankcase Seal
*	181599	Clutch Springs (Qty. 2)

BOOM & TRIMMER PARTS - MODEL 705r

(Serial No. 61100001 and greater)



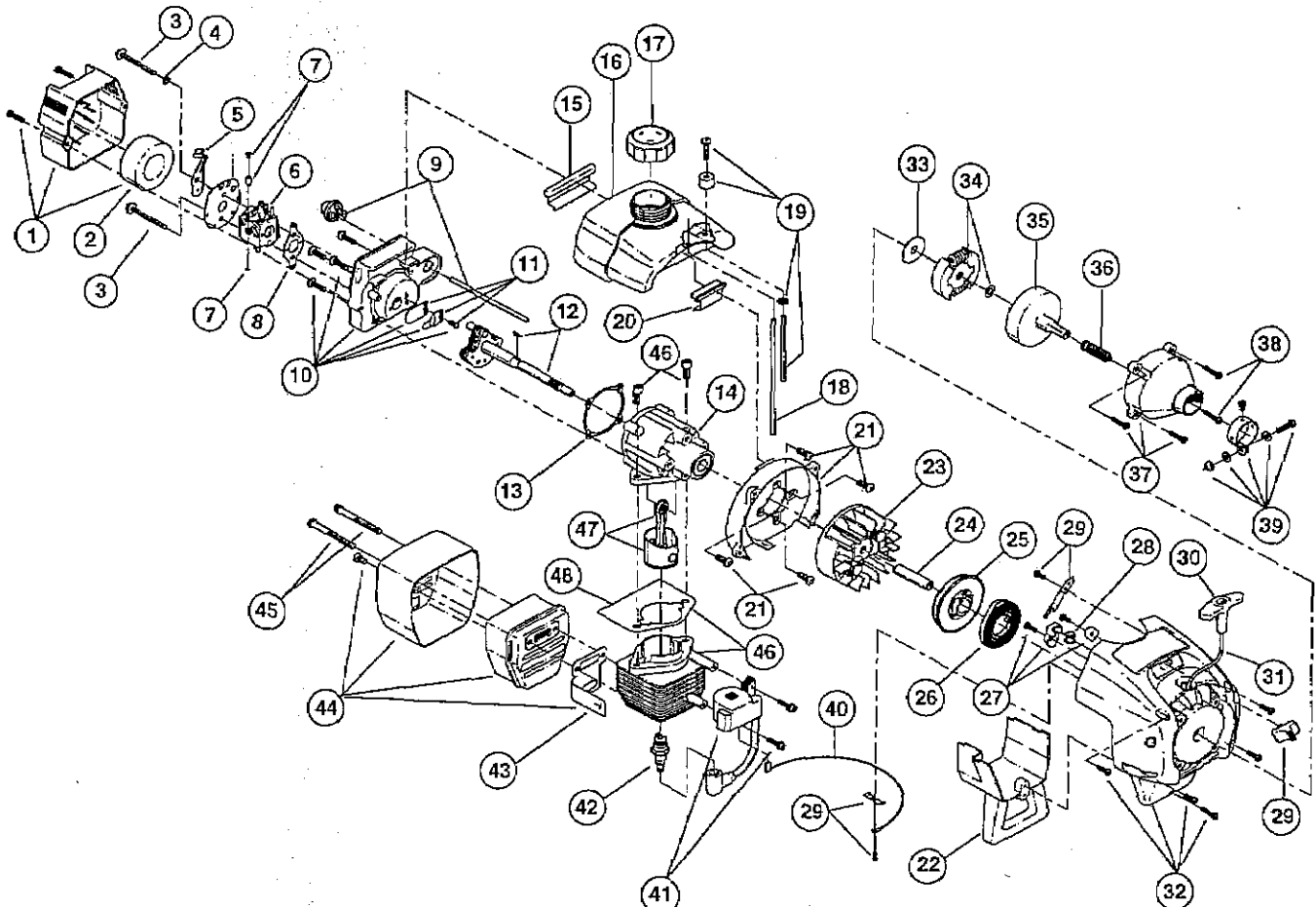
Item	Part No.	Description
1	181557	Throttle Housing and Trigger Assembly
2	610314	Throttle Trigger Spring
3	181556	Throttle Trigger
4	181554	Throttle Cable Housing Assembly
5	180127	Throttle Cable
6	145819	D-Handle
7	181587	D-Handle Hardware Assembly
8	181555	Drive Shaft Housing Assembly
9	153597	Lower Clamp Assembly (includes item 14)
10	181608	Flexible Drive Shaft
11	181857	Bushing Housing Assembly w/shaft
12	181858	Guard Mounting Screw Assembly
13	683274	Guard and Blade Assembly
14	145569	Anti-Rotation Screw
15	682061	Blade Assembly
16	181457	Outer Spool and Eyelet Assembly w/ Retainer
17	181458	Retainer
18	181561	Thrust Washer
19	181459	Small Spring
20	181461	Slider
21	181532	E-Clip
22	181531	Spring
23	181462	Plunger
24	181463	C-Clip
25	181464	Inner Reel
26	181465	Large Spring
27	181467	Foam Seal
28	181468	Bump Head Knob Assembly with Spring and Foam Seal

Optional Accessories

- * 181472 Cutting Line (Eight - 10 foot lengths)
- * 181469 Complete Cutting Head Assembly (includes 9, 11, 14, 16-28)
- * 181460 Reel and Line Assembly
- * 682075 Shoulder Strap Assembly
- * 147541 Ryobi 2-Cycle Oil (48 4-oz bottles)
- * not shown

ENGINE PARTS - MODEL 705/725r

(Serial no. 512000001 and greater)

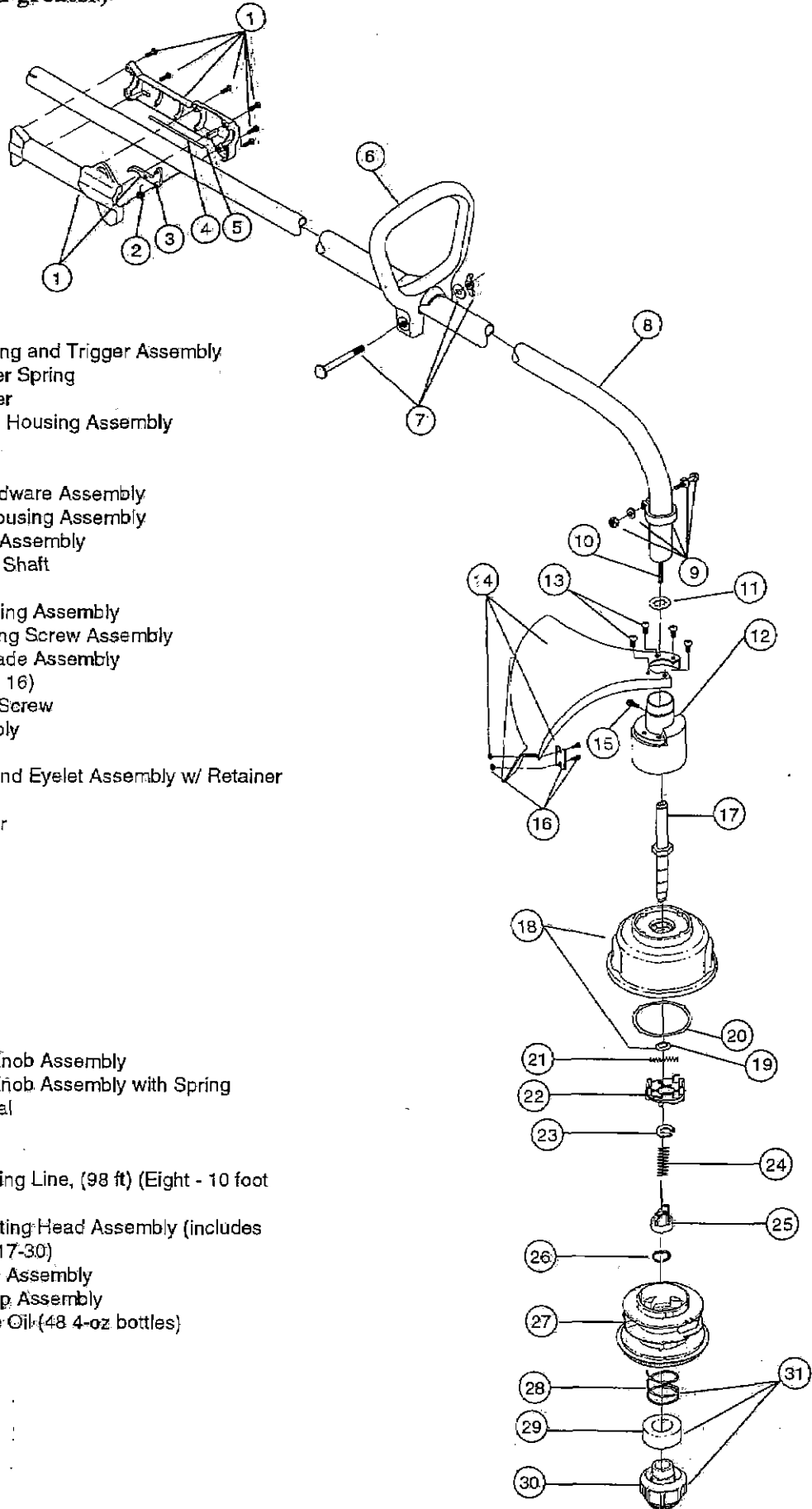


Item	Part No.	Description
1	180349	Carburetor/Air Cleaner Cover Assembly (includes item 2)
2	180350	Air Cleaner Filter
3	180351	Carburetor Mounting Screw Assembly
4	180352	Wavey Washer
5	180353	Choke Lever and Plate
6	180985	Carburetor Assembly W/Limiter Caps
7	682048	Throttle Adjustment Assembly (Walbro)
7	180092	Throttle Adjustment Assembly (Zama)
8	610675	Carburetor Gasket (10 pack)
9	181558	Primer and Hose Assembly
10	180354	Carb Mount Assembly
11	147573	Reed Assembly
12	180022	Power Shaft Assembly
13	612115	Carburetor Mount Gasket (10 pack)
14	180026	Crank Case Service Assembly (includes 12)
15	612134	Rear Mounting Pad
16	181438	Fuel Tank Assembly (includes 17-19)
17	181559	Fuel Cap Assembly
18	181168	Fuel Return Line
19	682039	Fuel Line Assembly
20	145308	Front Mounting Pad
21	153520	Shroud Assembly
22	683078	Shroud Extension and Stand
23	180929	Flywheel Assembly
24	181055	Spacer
25	180535	Recoil Pulley Assembly
26	613102	Recoil Spring
27	181441	Pulley Retainer Assembly
28	611061	Rope Guide
29	181442	Switch Assembly
30	610300	Pull Handle
31	613103	Rope
32	181443	Starter Housing Assembly

Item	Part No.	Description
33	181074	Clutch Washer
34	181445	Clutch Rotor Assembly
35	153592	Clutch Drum Assembly
36	612468	Spring (Model 725r only)
37	683601	Clutch Cover Assembly
38	181345	Clutch Cover Screw
39	153597	Upper Clamp Assembly
40	180036	Wire Lead
41	683390	Module Assembly
42	610311	Spark Plug
43	180960	Exhaust Gasket
44	180119	Muffler Assembly (includes 45)
45	147575	Muffler Mounting Bolt Assembly
46	180063	Cylinder Assembly
47	147012	Piston and Rod Assembly
48	610674	Cylinder Gasket (10 pack)
*	180034	Engine Hardware Kit
*	180011	Engine Gasket Kit
*	153308	O.E.M. Carburetor Repair Kit (Walbro)
*	180090	O.E.M. Carburetor Repair Kit (Zama)
*	153309	Gasket Diaphragm Repair Kit (Walbro)
*	180091	Gasket Diaphragm Repair Kit (Zama)
*	180530	Piston Ring
*	180027	Short Block Assembly (items 12, 14, 42, 46-48)
*	610676	Flywheel Key (10 pack)
*	147544	Starter Housing Screw Set
*	180986	Carburetor Limiter Cap Set (Walbro)
*	181562	Carburetor Limiter Cap Set (Zama)
*	610309	Crankcase Seal
*		not shown

BOOM & TRIMMER PARTS - MODEL 705r

(Serial no. 512000001 and greater)



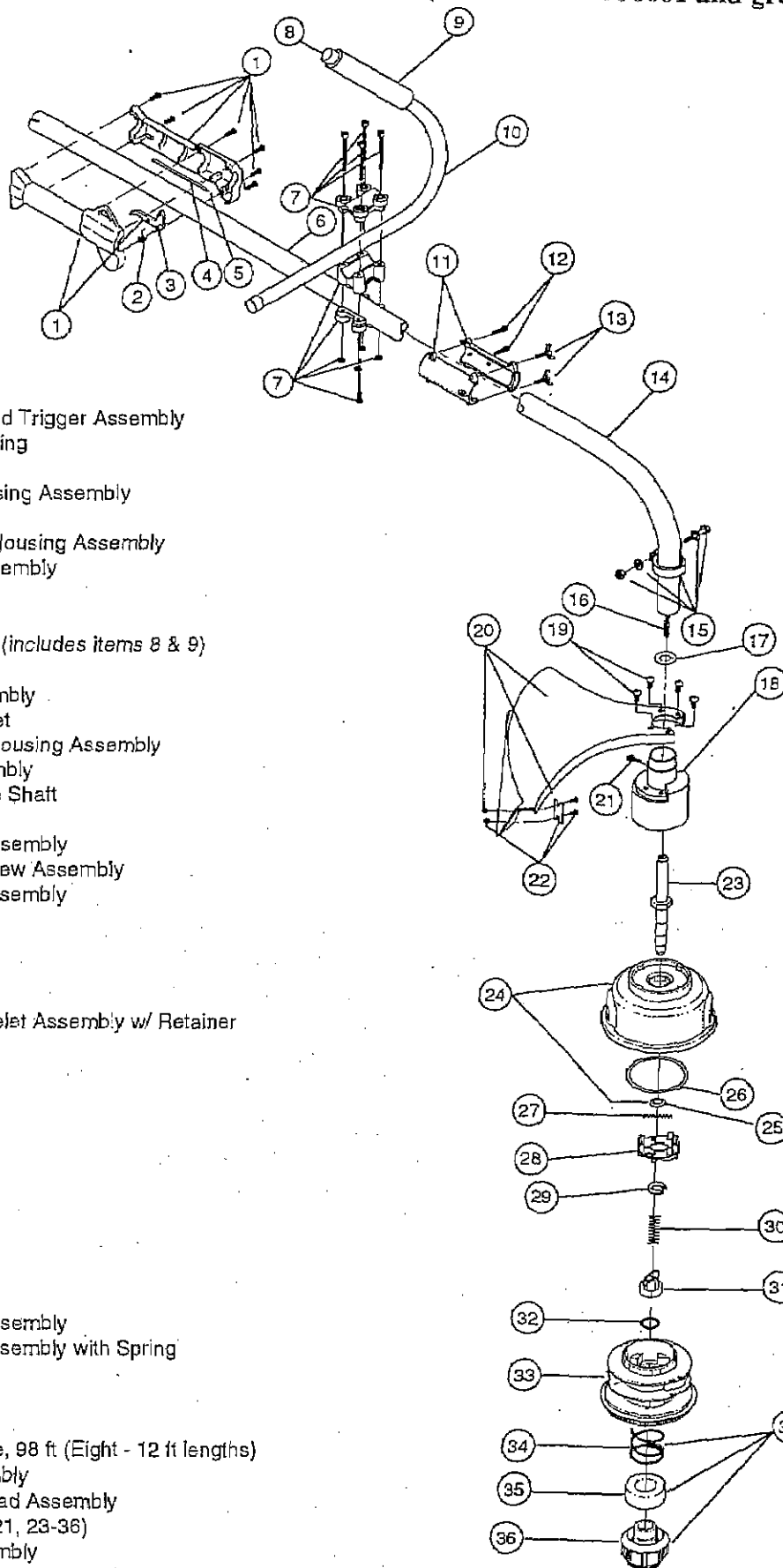
Item	Part No.	Description
1	181557	Throttle Housing and Trigger Assembly
2	610314	Throttle Trigger Spring
3	181556	Throttle Trigger
4	181554	Throttle Cable Housing Assembly
5	180127	Throttle Cable
6	145819	D-Handle
7	153523	D-Handle Hardware Assembly
8	181555	Drive Shaft Housing Assembly
9	153597	Lower Clamp Assembly
10	181550	Flexible Drive Shaft
11	181580	Palmnut
12	153312	Bushing Housing Assembly
13	180531	Guard Mounting Screw Assembly
14	683274	Guard and Blade Assembly (includes item 16)
15	145569	Anti-Rotation Screw
16	682061	Blade Assembly
17	181456	Spool Shaft
18	181457	Outer Spool and Eyelet Assembly w/ Retainer
19	181458	Retainer
20	181561	Thrust Washer
21	181459	Small Spring
22	181461	Slider
23	181532	E-Clip
24	181531	Spring
25	181462	Plunger
26	181463	C-Clip
27	181464	Inner Reel
28	181465	Large Spring
29	181467	Foam Seal
30	181466	Bump Head Knob Assembly
31	181468	Bump Head Knob Assembly with Spring and Foam Seal

Optional Accessories

- * 181472 Monofil Cutting Line, (98 ft) (Eight - 10 foot lengths)
- * 181469 Complete Cutting Head Assembly (includes 9, 11-12, 15, 17-30)
- * 181460 Reel and Line Assembly
- * 682075 Shoulder Strap Assembly
- * 147541 Ryobi 2-Cycle Oil (48 4-oz bottles)
- * not shown

BOOM & TRIMMER PARTS - MODEL 725r

(Serial no. 512000001 and greater)



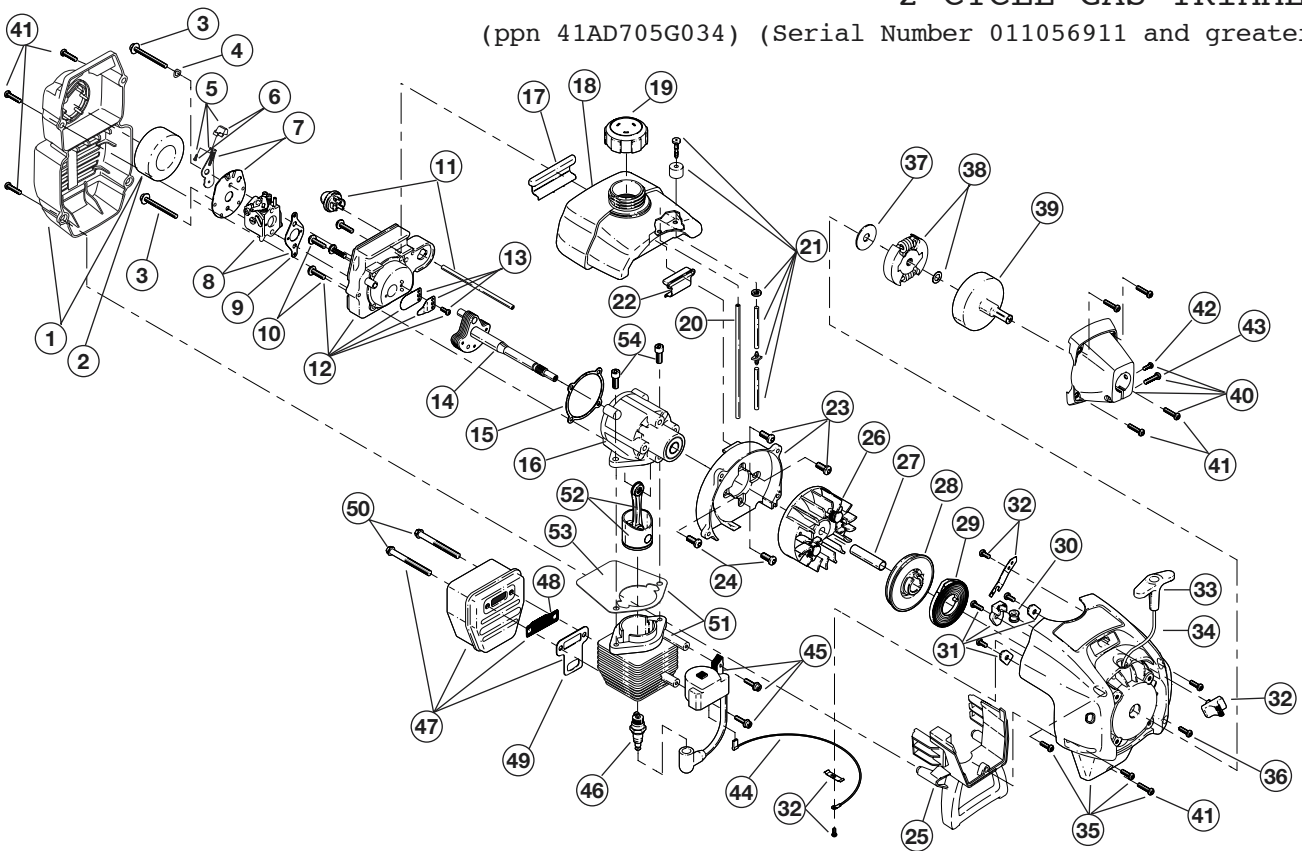
Item	Part No.	Description
1	181557	Throttle Housing and Trigger Assembly
2	610314	Throttle Trigger Spring
3	181556	Throttle Trigger
4	181554	Throttle Cable Housing Assembly
5	180127	Throttle Cable
6	180339	Upper Drive Shaft Housing Assembly
7	683295	Handle Bracket Assembly
8	612021	Tube Closure
9	612831	Grip
10	180687	J-Handle Assembly (includes items 8 & 9)
11	683605	Split Boom Coupler
12	683606	Coupling Bolt Assembly
13	683607	Adjustment Knob Set
14	180340	Lower Drive Shaft Housing Assembly
15	153597	Lower Clamp Assembly
16	683608	Lower Flexible Drive Shaft
17	181560	Pinnut
18	153312	Bushing Housing Assembly
19	180531	Guard Mounting Screw Assembly
20	683274	Guard and Blade Assembly (includes item 22)
21	145569	Anti-Rotation Screw
22	682061	Blade Assembly
23	181456	Spool Shaft
24	181457	Outer Spool and Eyelet Assembly w/ Retainer
25	181458	Retainer
26	181561	Thrust Washer
27	181459	Small Spring
28	181461	Slider
29	181532	E-Clip
30	181531	Spring
31	181462	Plunger
32	181463	C-Clip
33	181464	Inner Reel
34	181465	Large Spring
35	181467	Foam Seal
36	181466	Bump Head Knob Assembly
37	181468	Bump Head Knob Assembly with Spring and Foam Seal

Optional Accessories

- * 181472 Monofil Cutting Line, 98 ft (Eight - 12 ft lengths)
- * 181460 Reel and Line Assembly
- * 181469 Complete Cutting Head Assembly
(includes 15, 17-18, 21, 23-36)
- * 682075 Shoulder Strap Assembly
- * 147541 Ryobi 2-Cycle Oil (48 4-oz bottles)

ENGINE PARTS - MODEL 705r
2-CYCLE GAS TRIMMER

(ppn 41AD705G034) (Serial Number 011056911 and greater)

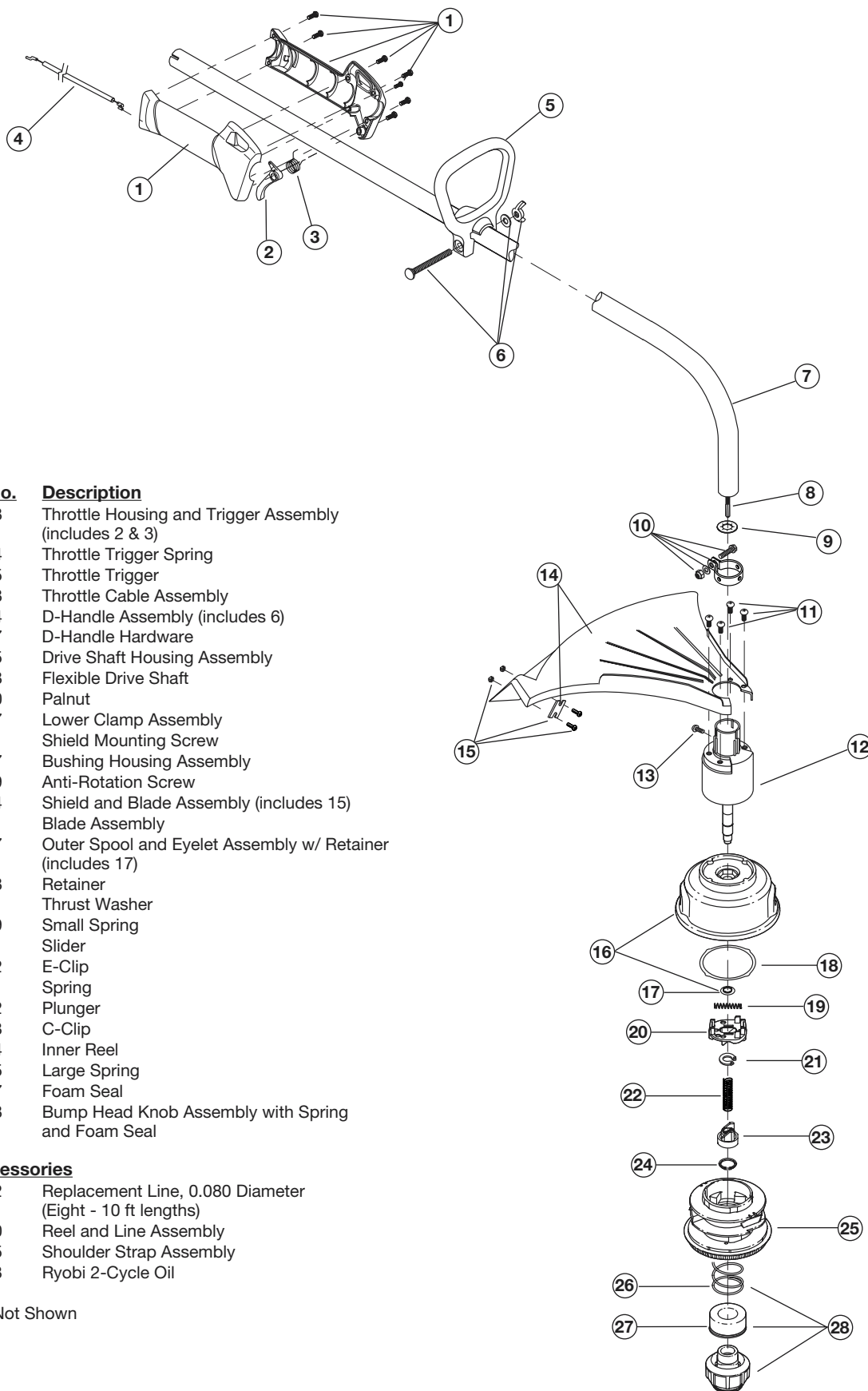


Item	Part No.	Description	Item	Part No.	Description
1	182059	Air Cleaner/Muffler Cover Assembly (includes 2 & 41)	34	613103	Rope
2	180350	Air Cleaner Filter	35	181443	Starter Housing Assembly (includes 28-34 & 44)
3	180351	Carburetor Mounting Screw Assembly	36	181862	Housing Screw
4	180352	Wavey Washer	37	182368	Clutch Washer
5	182061	Choke Lever Assembly (includes 6)	38	181445	Clutch Rotor Assembly
6	182070	Choke Knob and Screw	39	153592	Clutch Drum Assembly
7	182060	Choke Lever and Plate (includes 5)	40	182797	Clutch Cover Assembly (includes 41-43)
8	182062	Carburetor Assembly W/Limiter Caps (includes 9 & 21)	41	181345	Cover Screw
9	610675	Carburetor Gasket	42	181345	Anti-Rotation Screw
10	181860	Carb Mount Screw	43	182519	Clamping Screw
11	181558	Primer and Hose Assembly	44	180036	Wire Lead
12	182063	Carb Mount Assembly (includes 10)	45	181937	Module Assembly
13	684451	Reed Assembly	46	610311	Spark Plug
14	182790	Power Shaft Assembly	47	182066	Muffler Assembly (includes 48-50)
15	612115	Carburetor Mount Gasket	48	182747	Spark Arrestor Screen
16	182807	Crank Case Service Assembly (includes 10, 14 & 24)	49	182065	Exhaust Gasket
17	612134	Rear Mounting Pad	50	147575	Muffler Mounting Bolt Assembly
18	181438	Fuel Tank Assembly (includes 19-21)	51	181622	Cylinder Assembly (includes 53)
19	181559	Fuel Cap Assembly	52	684449	Piston and Rod Assembly
20	181168	Fuel Return Line	53	610674	Cylinder Gasket
21	682039	Fuel Line Assembly	54	181870	Cylinder Bolt
22	145308	Front Mounting Pad	*	180011	Engine Gasket Kit
23	153520	Shroud Assembly	*	180602	O.E.M. Carburetor Repair Kit (Walbro)
24	181861	Shroud Screw	*	180090	O.E.M. Carburetor Repair Kit (Zama)
25	182064	Shroud Extension and Stand	*	181873	Gasket Diaphragm Repair Kit (Walbro)
26	181867	Flywheel Assembly	*	180091	Gasket Diaphragm Repair Kit (Zama)
27	181065	Spacer	*	180530	Piston Ring
28	181597	Recoil Pulley Assembly	*	182792	Short Block Assembly (includes 10, 14, 16, 24, 46, 51-54)
29	613102	Recoil Spring	*	181501	Starter Housing Screw Set
30	611061	Rope Guide	*	610309	Crankcase Seal
31	181441	Pulley Retainer Assembly	*	181599	Clutch Springs (Qty. 2)
32	181442	Switch Assembly (includes 44)			
33	181079	Pull Handle	*		Items Not Shown

BOOM AND TRIMMER PARTS - MODEL 705r

2-CYCLE GAS TRIMMER

(Serial Number 011056911 and greater)

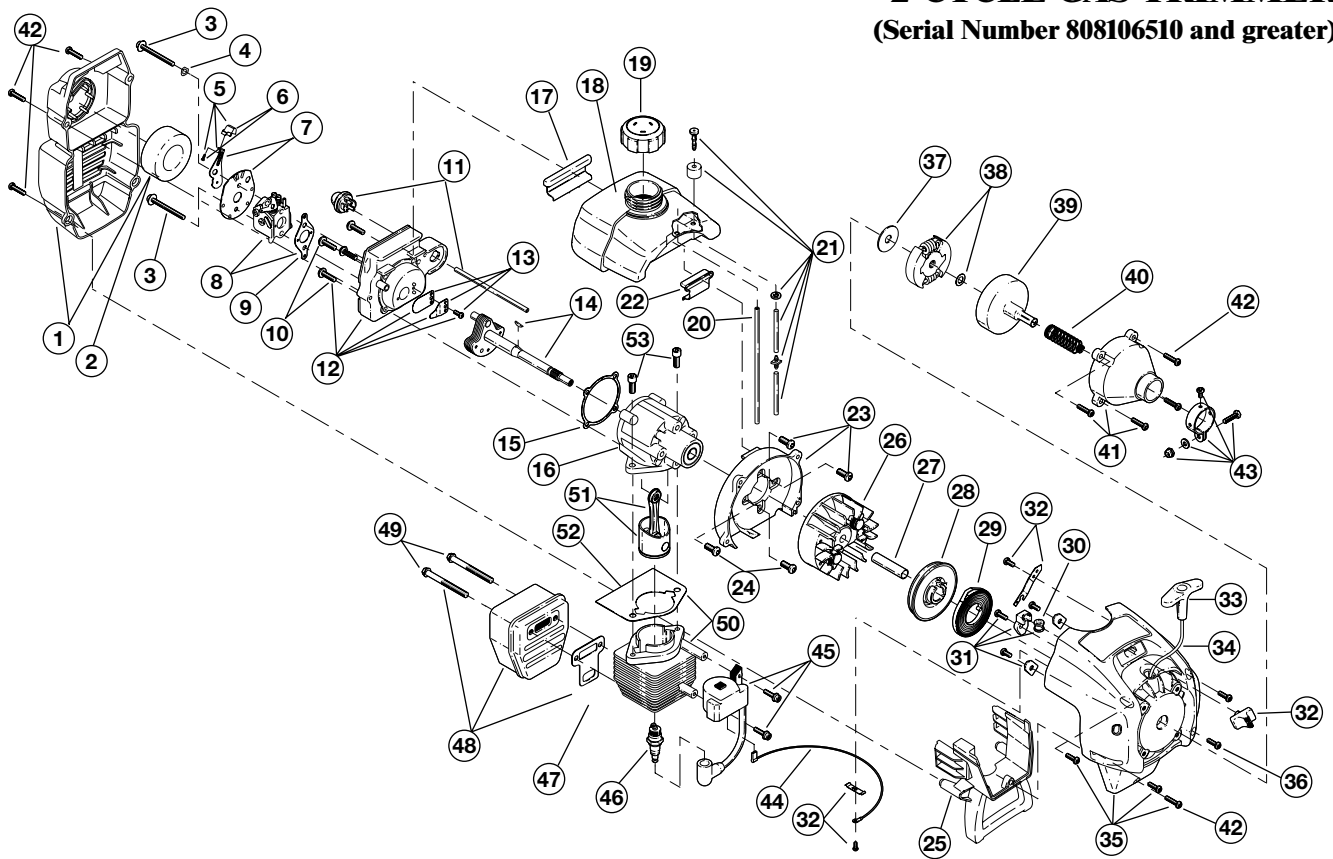


Item	Part No.	Description
1	182808	Throttle Housing and Trigger Assembly (includes 2 & 3)
2	610314	Throttle Trigger Spring
3	182385	Throttle Trigger
4	182068	Throttle Cable Assembly
5	153064	D-Handle Assembly (includes 6)
6	181587	D-Handle Hardware
7	181555	Drive Shaft Housing Assembly
8	181608	Flexible Drive Shaft
9	181560	Pinnut
10	153597	Lower Clamp Assembly
11	180531	Shield Mounting Screw
12	181857	Bushing Housing Assembly
13	145569	Anti-Rotation Screw
14	683274	Shield and Blade Assembly (includes 15)
15	682061	Blade Assembly
16	181457	Outer Spool and Eyelet Assembly w/ Retainer (includes 17)
17	181458	Retainer
18	181561	Thrust Washer
19	181459	Small Spring
20	181461	Slider
21	181532	E-Clip
22	181531	Spring
23	181462	Plunger
24	181463	C-Clip
25	181464	Inner Reel
26	181465	Large Spring
27	181467	Foam Seal
28	181468	Bump Head Knob Assembly with Spring and Foam Seal

Optional Accessories

- * 181472 Replacement Line, 0.080 Diameter (Eight - 10 ft lengths)
- * 181460 Reel and Line Assembly
- * 682075 Shoulder Strap Assembly
- * 147543 Ryobi 2-Cycle Oil
- * Items Not Shown

ENGINE PARTS - MODEL 725r
2-CYCLE GAS TRIMMER
 (Serial Number 808106510 and greater)

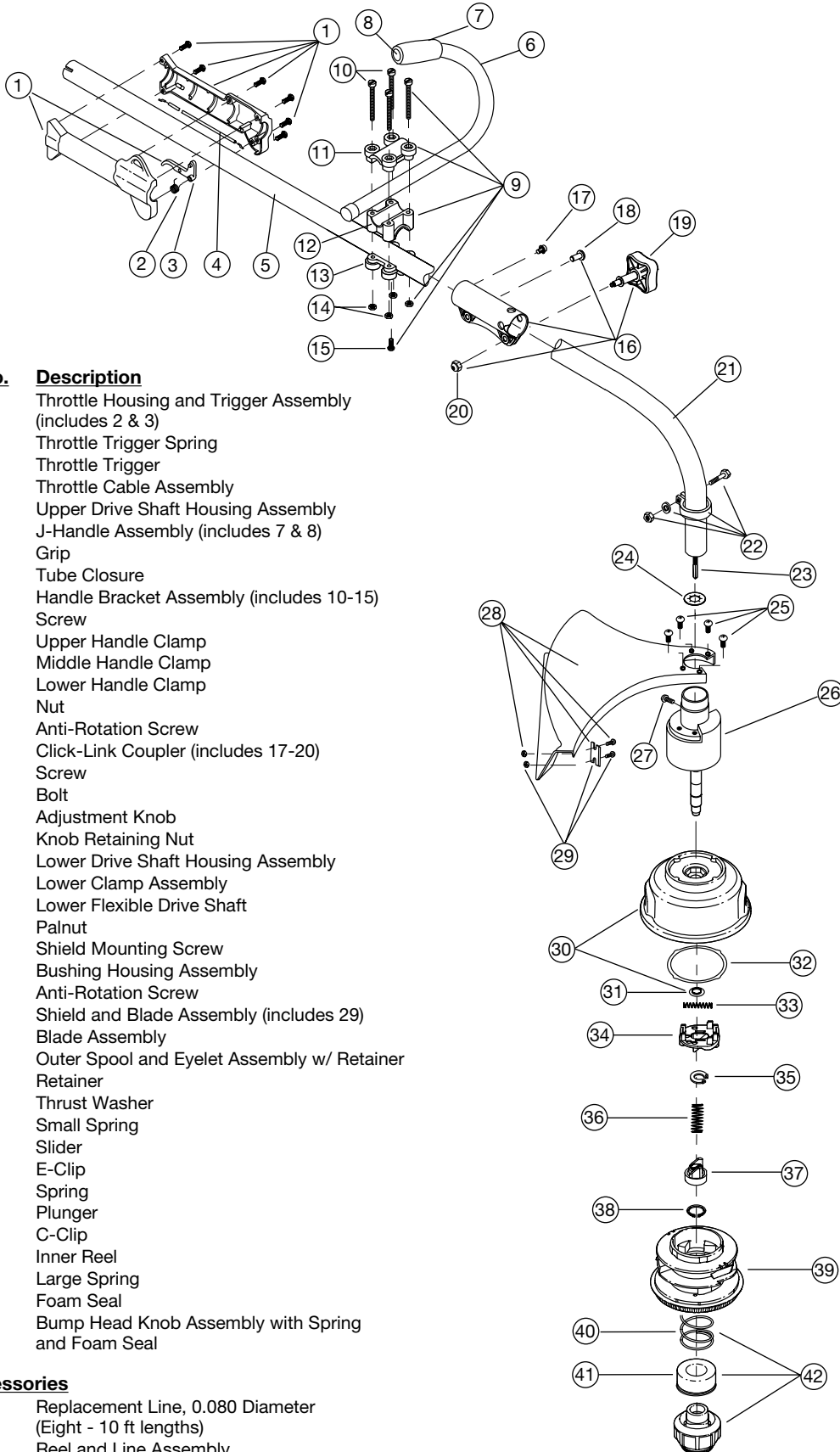


Item	Part No.	Description	Item	Part No.	Description
1	182059	Air Cleaner/Muffler Cover Assembly (includes 2 & 42)	34	613103	Rope
2	180350	Air Cleaner Filter	35	181443	Starter Housing Assembly (includes 28-34 & 44)
3	180351	Carburetor Mounting Screw Assembly	36	181862	Housing Screw
4	180352	Wavey Washer	37	181074	Clutch Washer
5	182061	Choke Lever Assembly (includes 6)	38	181445	Clutch Rotor Assembly
6	182070	Choke Knob and Screw	39	153592	Clutch Drum Assembly
7	182060	Choke Lever and Plate (includes 5)	40	612468	Spring
8	182062	Carburetor Assembly W/Limiter Caps (includes 9 & 21)	41	180098	Clutch Cover Assembly
9	610675	Carburetor Gasket	42	181345	Cover Screw
10	181860	Carb Mount Screw	43	153597	Upper Clamp Assembly
11	181558	Primer and Hose Assembly	44	180036	Wire Lead
12	182063	Carb Mount Assembly (includes 10)	45	181937	Module Assembly
13	684451	Reed Assembly	46	610311	Spark Plug
14	181498	Power Shaft Assembly	47	182065	Exhaust Gasket
15	612115	Carburetor Mount Gasket	48	182066	Muffler Assembly (includes 49)
16	180026	Crank Case Service Assembly (includes 10, 14 & 24)	49	147575	Muffler Mounting Bolt Assembly
17	612134	Rear Mounting Pad	50	181622	Cylinder Assembly (includes 53)
18	181438	Fuel Tank Assembly (includes 19-21)	51	684449	Piston and Rod Assembly
19	181559	Fuel Cap Assembly	52	610674	Cylinder Gasket
20	181168	Fuel Return Line	53	181870	Cylinder Bolt
21	682039	Fuel Line Assembly	*	180011	Engine Gasket Kit
22	145308	Front Mounting Pad	*	180602	O.E.M. Carburetor Repair Kit (Walbro)
23	153520	Shroud Assembly	*	180090	O.E.M. Carburetor Repair Kit (Zama)
24	181861	Shroud Screw	*	181873	Gasket Diaphragm Repair Kit (Walbro)
25	182064	Shroud Extension and Stand	*	180091	Gasket Diaphragm Repair Kit (Zama)
26	180929	Flywheel Assembly	*	180530	Piston Ring
27	181065	Spacer	*	181623	Short Block Assembly (includes 10, 14, 16, 24, 46, 50-53)
28	181597	Recoil Pulley Assembly	*	610676	Flywheel Key
29	613102	Recoil Spring	*	181501	Starter Housing Screw Set
30	611061	Rope Guide	*	610309	Crankcase Seal
31	181441	Pulley Retainer Assembly	*	181599	Clutch Springs (Qty. 2)
32	181442	Switch Assembly (includes 44)	*		Items Not Shown
33	181079	Pull Handle			

BOOM AND TRIMMER PARTS - MODEL 725r

2-CYCLE GAS TRIMMER

(Serial Number 808106510 and greater)

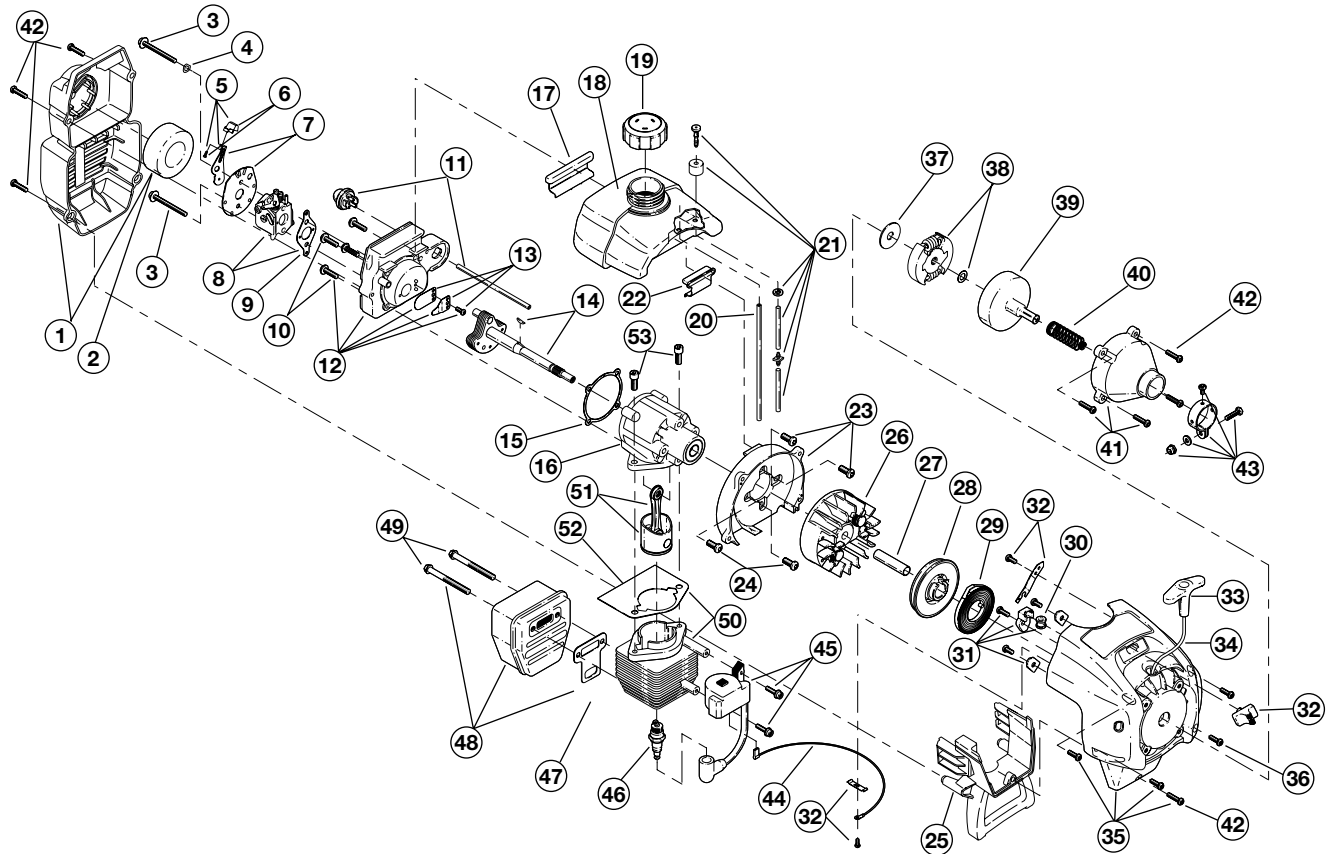


Item	Part No.	Description
1	182069	Throttle Housing and Trigger Assembly (includes 2 & 3)
2	610314	Throttle Trigger Spring
3	181556	Throttle Trigger
4	182068	Throttle Cable Assembly
5	180339	Upper Drive Shaft Housing Assembly
6	180687	J-Handle Assembly (includes 7 & 8)
7	612831	Grip
8	612021	Tube Closure
9	683295	Handle Bracket Assembly (includes 10-15)
10	181811	Screw
11	181812	Upper Handle Clamp
12	181813	Middle Handle Clamp
13	181814	Lower Handle Clamp
14	181815	Nut
15	145569	Anti-Rotation Screw
16	181616	Click-Link Coupler (includes 17-20)
17	182057	Screw
18	181617	Bolt
19	181618	Adjustment Knob
20	181886	Knob Retaining Nut
21	180340	Lower Drive Shaft Housing Assembly
22	153597	Lower Clamp Assembly
23	683608	Lower Flexible Drive Shaft
24	181560	Palnut
25	180531	Shield Mounting Screw
26	181857	Bushing Housing Assembly
27	145569	Anti-Rotation Screw
28	683274	Shield and Blade Assembly (includes 29)
29	682061	Blade Assembly
30	181457	Outer Spool and Eyelet Assembly w/ Retainer
31	181458	Retainer
32	181561	Thrust Washer
33	181459	Small Spring
34	181461	Slider
35	181532	E-Clip
36	181531	Spring
37	181462	Plunger
38	181463	C-Clip
39	181464	Inner Reel
40	181465	Large Spring
41	181467	Foam Seal
42	181468	Bump Head Knob Assembly with Spring and Foam Seal

Optional Accessories

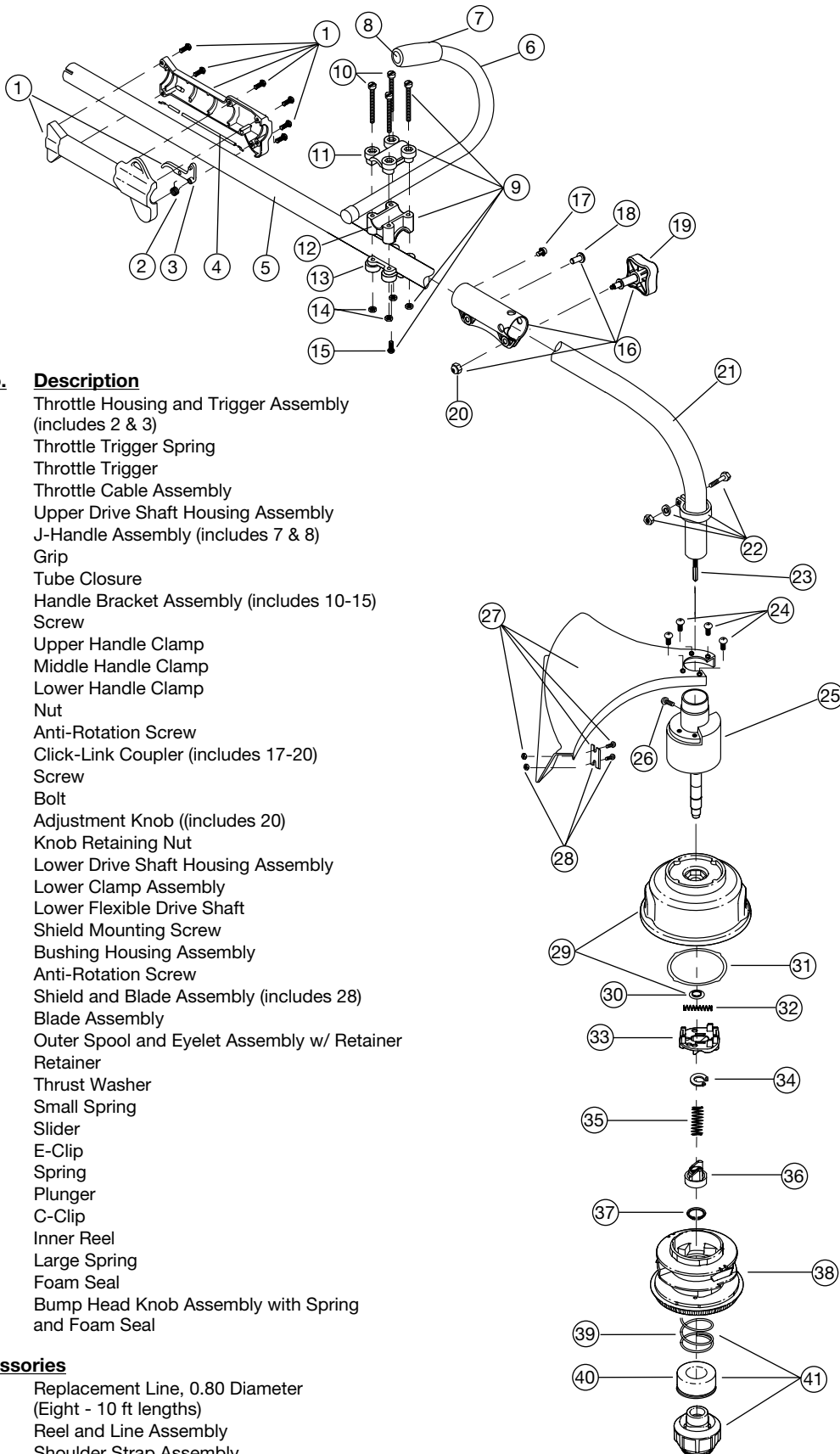
- * 181472 Replacement Line, 0.080 Diameter (Eight - 10 ft lengths)
- * 181460 Reel and Line Assembly
- * 682075 Shoulder Strap Assembly
- * 147543 Ryobi 2-Cycle Oil
- * Items Not Shown

ENGINE PARTS - MODEL 725rE
2-CYCLE GAS TRIMMER with EDGER ADD-ON
 (Serial Number 909019670 and greater)



Item	Part No.	Description	Item	Part No.	Description
1	182059	Air Cleaner/Muffler Cover Assembly (includes 2 & 42)	34	613103	Rope
2	180350	Air Cleaner Filter	35	181443	Starter Housing Assembly (includes 28-34 & 44)
3	180351	Carburetor Mounting Screw Assembly	36	181862	Housing Screw
4	180226	Wavy Washer	37	181074	Clutch Washer
5	182061	Choke Lever Assembly (includes 6)	38	181445	Clutch Rotor Assembly
6	182070	Choke Knob and Screw	39	153592	Clutch Drum Assembly
7	182060	Choke Lever and Plate (includes 5)	40	612468	Spring
8	182062	Carburetor Assembly W/Limiter Caps (includes 21)	41	180098	Clutch Cover Assembly
9	610675	Carburetor Gasket	42	181345	Cover Screw
10	181860	Carb Mount Screw	43	153597	Upper Clamp Assembly
11	181558	Primer and Hose Assembly	44	180036	Wire Lead
12	182063	Carb Mount Assembly (includes 10 & 15)	45	181937	Module Assembly
13	684451	Reed Assembly	46	610311	Spark Plug
14	181498	Power Shaft Assembly	47	182065	Exhaust Gasket
15	612115	Carburetor Mount Gasket	48	182066	Muffler Assembly (includes 47 & 49)
16	180026	Crank Case Service Assembly (includes 10, 14 & 24)	49	147575	Muffler Mounting Bolt Assembly
17	612134	Rear Mounting Pad	50	181622	Cylinder Assembly (includes 53)
18	181438	Fuel Tank Assembly (includes 19-21)	51	684449	Piston and Rod Assembly
19	181559	Fuel Cap Assembly	52	610674	Cylinder Gasket
20	181168	Fuel Return Line	53	181870	Cylinder Bolt
21	682039	Fuel Line Assembly	*	182067	Engine Gasket Kit
22	145308	Front Mounting Pad	*	180602	O.E.M. Carburetor Repair Kit (Walbro)
23	153520	Shroud Assembly	*	180090	O.E.M. Carburetor Repair Kit (Zama)
24	181861	Shroud Screw	*	181069	Gasket Diaphragm Repair Kit (Walbro)
25	182064	Shroud Extension and Stand	*	180091	Gasket Diaphragm Repair Kit (Zama)
26	180929	Flywheel Assembly	*	180530	Piston Ring
27	181065	Spacer	*	181623	Short Block Assembly (includes 10, 14, 16, 24, 46, 50-53)
28	181597	Recoil Pulley Assembly	*	610676	Flywheel Key
29	613102	Recoil Spring	*	181501	Starter Housing Screw Set
30	611061	Rope Guide	*	610309	Crankcase Seal
31	181441	Pulley Retainer Assembly	*	181599	Clutch Springs (Qty. 2)
32	181442	Switch Assembly (includes 44)	*		Items Not Shown
33	181079	Pull Handle			

BOOM AND TRIMMER PARTS - MODEL 725rE
2-CYCLE GAS TRIMMER with EDGER ADD-ON
 (Serial Number 909019670 and greater)

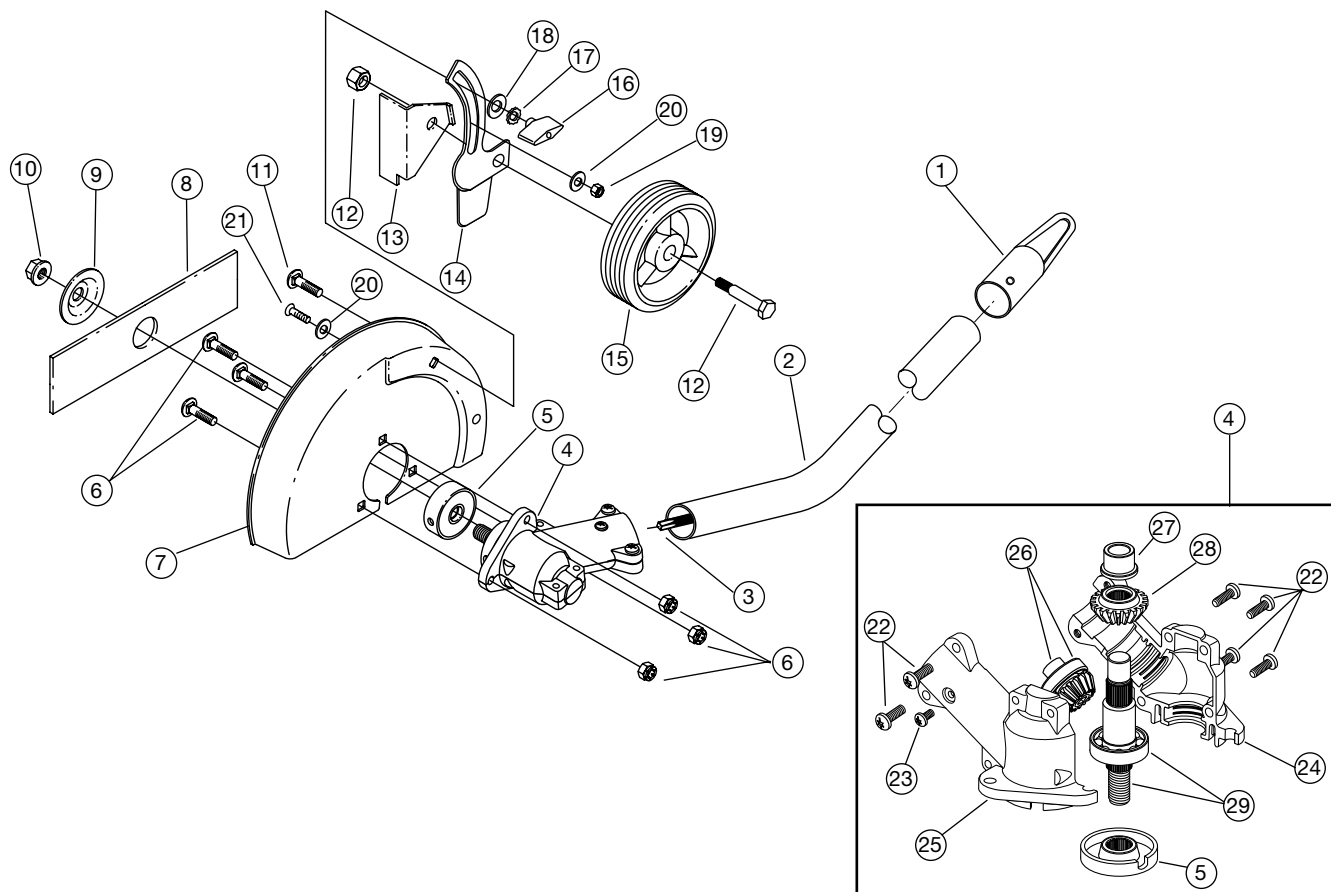


Item	Part No.	Description
1	182069	Throttle Housing and Trigger Assembly (includes 2 & 3)
2	610314	Throttle Trigger Spring
3	181556	Throttle Trigger
4	182068	Throttle Cable Assembly
5	180339	Upper Drive Shaft Housing Assembly
6	180687	J-Handle Assembly (includes 7 & 8)
7	612831	Grip
8	612021	Tube Closure
9	683295	Handle Bracket Assembly (includes 10-15)
10	181811	Screw
11	181812	Upper Handle Clamp
12	181813	Middle Handle Clamp
13	181814	Lower Handle Clamp
14	181815	Nut
15	145569	Anti-Rotation Screw
16	181616	Click-Link Coupler (includes 17-20)
17	182057	Screw
18	181617	Bolt
19	181618	Adjustment Knob ((includes 20)
20	181886	Knob Retaining Nut
21	180340	Lower Drive Shaft Housing Assembly
22	153597	Lower Clamp Assembly
23	683608	Lower Flexible Drive Shaft
24	180531	Shield Mounting Screw
25	181857	Bushing Housing Assembly
26	145569	Anti-Rotation Screw
27	683274	Shield and Blade Assembly (includes 28)
28	682061	Blade Assembly
29	181457	Outer Spool and Eyelet Assembly w/ Retainer
30	181458	Retainer
31	181561	Thrust Washer
32	181459	Small Spring
33	181461	Slider
34	181532	E-Clip
35	181531	Spring
36	181462	Plunger
37	181463	C-Clip
38	181464	Inner Reel
39	181465	Large Spring
40	181467	Foam Seal
41	181468	Bump Head Knob Assembly with Spring and Foam Seal

Optional Accessories

- * 181472 Replacement Line, 0.80 Diameter (Eight - 10 ft lengths)
- * 181460 Reel and Line Assembly
- * 682075 Shoulder Strap Assembly
- * 147543 Ryobi 2-Cycle Oil
- * Items Not Shown

EDGER PARTS - MODEL 725rE
2-CYCLE GAS TRIMMER with EDGER ADD-ON
 (Serial Number 909019670 and greater)



Item	Part No.	Description
1	612605	Hanger
2	180915	Drive Shaft Housing Assembly
3	181570	Drive Shaft Assembly
4	182193	Gearbox Assembly
5	182196	Blade Driver
6	182200	Shield Mount Screw Assembly
7	182256	Blade Shield
8	613223	Edger Blade
9	147490	Retaining Washer
10	147491	Lock Nut
11	182213	Shoulder Bolt
12	181591	Wheel Mounting Hardware
13	181592	Deflector
14	181593	Guide Bracket
15	181242	Wheel
16	182214	Adjustment Knob
17	182215	Lock Washer

Item	Part No.	Description
18	182216	Washer
19	182237	Locknut
20	182236	Washer
21	181858	Screw
22	182195	Gearbox Mounting Hardware
23	145569	Anti-Rotation Screw
*	613226	Locking Rod
*	180014	Blade Retainer Kit (includes 9 & 10)

* Items Not Shown

2 Piece Gearbox Assembly Parts - Item 4

24	182191	Left Housing
25	182192	Right Housing
26	182194	Pinion Gear Assembly
27	182199	Output Shaft Bushing
28	182198	Output Shaft Gear
29	182197	Output Shaft Assembly (includes 27 & 28)