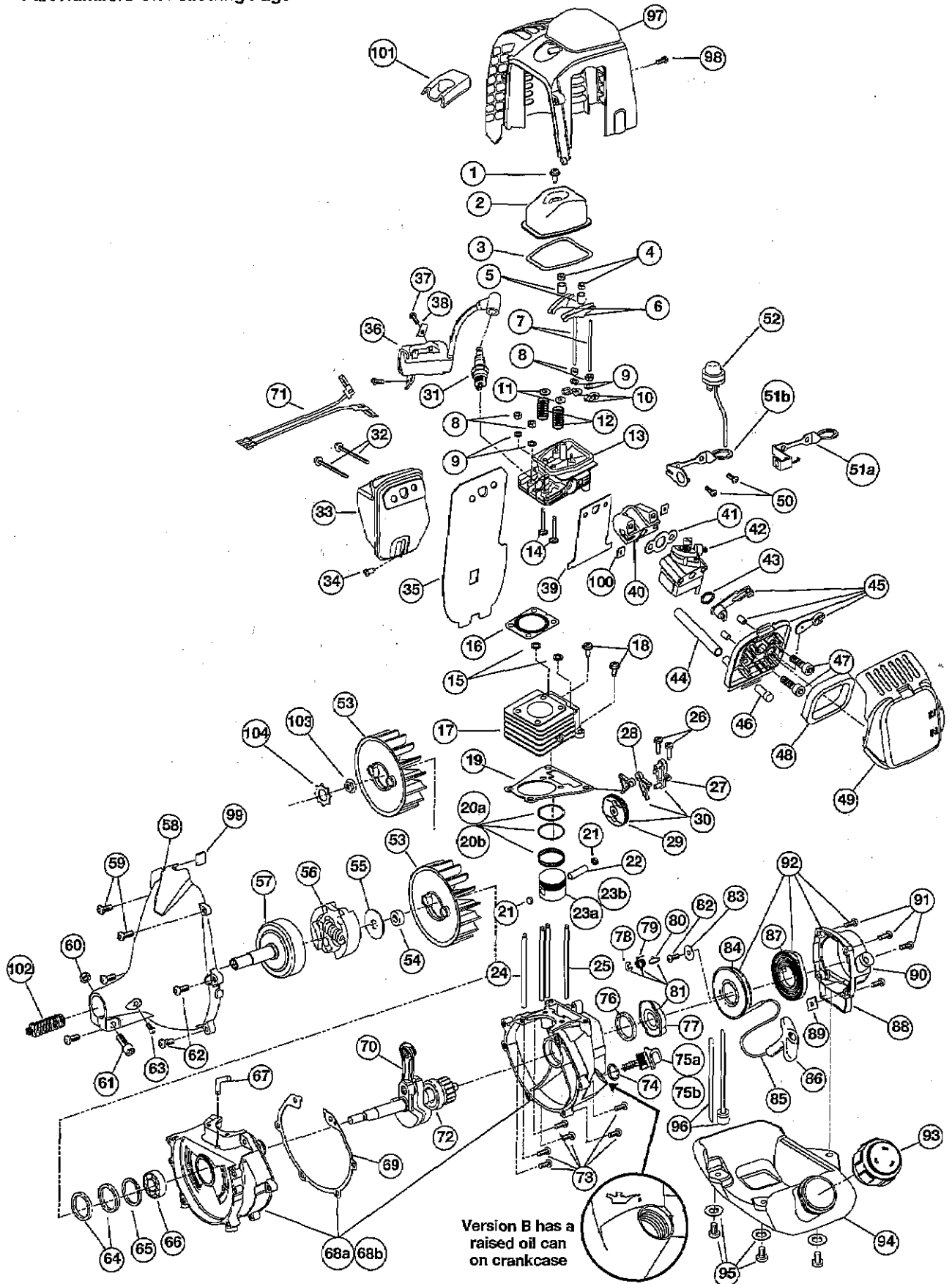


ENGINE PARTS - MODEL 1090r

4-CYCLE GAS TRIMMER

(Serial Number 81000001 and greater)

Part Numbers On Following Page



ENGINE PARTS - MODEL 1090r

4-CYCLE GAS TRIMMER

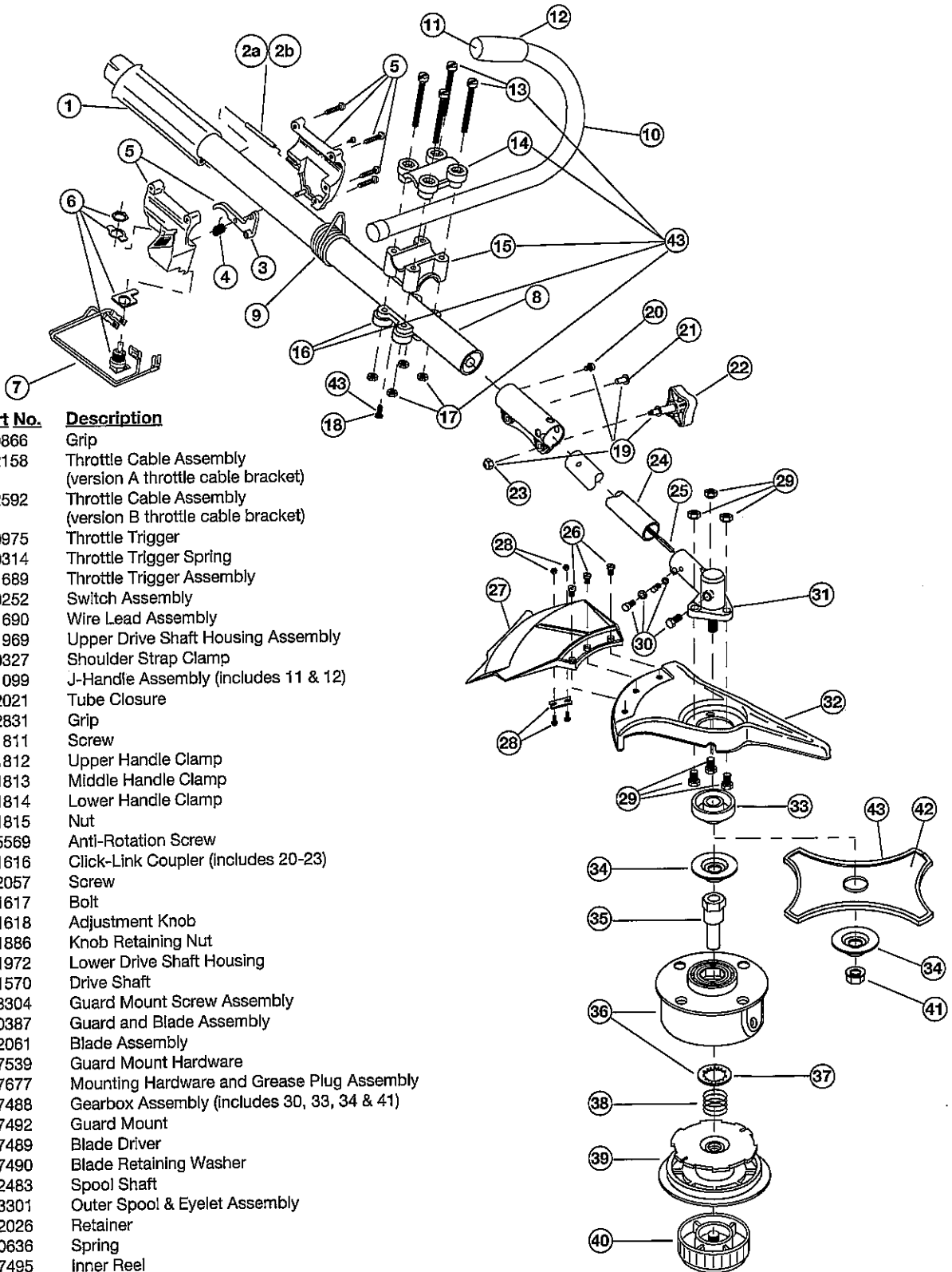
(Serial Number 81000001 and greater)

<u>Item</u>	<u>Part No.</u>	<u>Description</u>	<u>Item</u>	<u>Part No.</u>	<u>Description</u>
1	181025	Valve Cover Screw	58	182114	Front Housing
2	182098	Valve Cover	59	181764	Screw
3	182099	Valve Cover Gasket	60	181761	Nut
4	181030	Rocker Adjustment Nut	61	181760	Engine Bolt
5	182101	Rocker Arm Pivot	62	181003	Screw
6	182100	Rocker Arm	63	182188	Anti-Rotation Screw
7	181033	Push Rod	64	182127	Oil Seal
8	181034	Hex Nut	65	182128	Snap Ring
9	181035	Washer	66	182134	Bearing
10	182102	Push Rod Guide	67	182135	90° Elbow
11	182103	Valve Spring Retainer	68a	182140	Crankcase (version A) (includes 73)
12	181038	Valve Spring	68b	182593	Crankcase (version B) (includes 73)
13	182306	Cylinder Head with Valve Seal (includes 10-14)	69	182136	Crankcase Gasket
14	181040	Valve	70	182139	Crankshaft
15	181000	O-Ring	71	182126	Lead Wire
16	181001	Cylinder Head Gasket	72	182138	Bearing
17	182132	Cylinder	73	182147	Screw
18	181003	Screw (M5 x 18.7mm)	74	181021	O-Ring
19	181004	Cylinder Gasket	75a	181022	Oil Cap Dipstick (version A crankcase) (includes 74)
20a	181005	Piston Ring Set (1 Piece Oil Ring)	75b	182289	Oil Cap Dipstick (version B crankcase) (includes 74)
20b	182295	Piston Ring Set (3 Piece Oil Ring)	76	182142	Oil Seal
21	181008	Wrist Pin Button	77	182187	Pulley with Nut
22	181006	Wrist Pin	78	181747	Retaining Ring
23	181007	Piston (1 Piece Oil Ring)	79	181746	Spring
23	182300	Piston (3 Piece Oil Ring)	80	181745	Ratchet
24	181010	Cylinder Stud (83.5mm)	81	182118	Pulley Assembly (includes 77-88)
25	181011	Cylinder Stud (115.5mm)	82	181740	Screw
26	181012	Cam Bracket Screw	83	181741	Washer
27	181013	Cam Bracket	84	181738	Recoil Pulley
28	182123	Cam Follower (Chromed)	85	181742	Rope
29	182124	Cam Gear	86	181079	Pull Handle
30	182125	Cam Bracket Assembly (includes 26-29)	87	181739	Recoil Spring
31	180852	Spark Plug	88	182120	Recoil Case
32	182105	Muffler Mounting Screw	89	182121	Square Nut
33	182106	Muffler	90	182122	Rope Guide
34	181020	Screw	91	182143	Screw
35	182107	Muffler Gasket	92	182117	Recoil Case Assembly (includes 82-91)
36	182108	Module	93	181083	Fuel Cap
37	181066	Screw	94	182130	Fuel Tank
38	611063	Ground Tab	95	182144	Screw with Washer
39	182131	Insulator Gasket	96	182129	Fuel Line Assembly
40	182109	Insulator	97	182145	Engine Cover
41	181709	Carburetor Gasket	98	182146	Screw
42	182110	Carburetor	99	182157	Wire Grommet
43	181751	O-Ring, Carburetor	100	182159	Nut
44	182096	Breather Hose	101	182293	Spark Plug Cover
45	182111	Air Cleaner Assembly	102	612468	Spring
46	182097	Breather assembly	103	182261	Nut (version A flywheel mounting)
47	182133	Screw	104	182591	Lock Washer (version A flywheel mounting)
48	182116	Air Filter	*	182595	Crankcase Assembly (includes 24, 25 & 64-76)
49	182115	Air Cleaner Cover	*	182594	Short Block Assembly (includes 1-30, & 64-76)
50	182105	Screw	*	182307	Valve Stem Seal
51a	182112	Throttle Cable Bracket (version A)	*	182153	Spark Arrestor Screen
51b	182589	Throttle Cable Bracket (version B)	*	182156	AC-10 Carburetor Repair Kit
52	181054	Primer and Line Assembly			
53	182113	Flywheel			
54	181731	Spacer (version B flywheel mounting)			
55	182590	Clutch Washer			
56	181730	Clutch			
57	180232	Clutch Drum			
			*		Parts not shown

BOOM AND TRIMMER PARTS - MODEL 1090r

4-CYCLE GAS TRIMMER

(Serial Number 81000001 and greater)



Item	Part No.	Description
1	180866	Grip
2a	182158	Throttle Cable Assembly (version A throttle cable bracket)
2b	182592	Throttle Cable Assembly (version B throttle cable bracket)
3	180975	Throttle Trigger
4	610314	Throttle Trigger Spring
5	181689	Throttle Trigger Assembly
6	180252	Switch Assembly
7	181690	Wire Lead Assembly
8	181969	Upper Drive Shaft Housing Assembly
9	610327	Shoulder Strap Clamp
10	181099	J-Handle Assembly (includes 11 & 12)
11	612021	Tube Closure
12	612831	Grip
13	181811	Screw
14	181812	Upper Handle Clamp
15	181813	Middle Handle Clamp
16	181814	Lower Handle Clamp
17	181815	Nut
18	145569	Anti-Rotation Screw
19	181616	Click-Link Coupler (includes 20-23)
20	182057	Screw
21	181617	Bolt
22	181618	Adjustment Knob
23	181886	Knob Retaining Nut
24	181972	Lower Drive Shaft Housing
25	181570	Drive Shaft
26	683304	Guard Mount Screw Assembly
27	180387	Guard and Blade Assembly
28	682061	Blade Assembly
29	147539	Guard Mount Hardware
30	147677	Mounting Hardware and Grease Plug Assembly
31	147488	Gearbox Assembly (includes 30, 33, 34 & 41)
32	147492	Guard Mount
33	147489	Blade Driver
34	147490	Blade Retaining Washer
35	612483	Spool Shaft
36	683301	Outer Spool & Eyelet Assembly
37	612026	Retainer
38	610636	Spring
39	147495	Inner Reel
40	180814	Bump Head Knob Assembly
41	181699	Lock Nut
42	145873	Blade (includes 43)
43	613231	Blade Cover
44	683295	Handle Bracket Assembly (items 13 thru 18)
*	613226	Locking Rod Tool
*	682075	Shoulder Harness Assembly

Optional Accessories

- * 147345 Reel and Line Assembly
- * 180014 Blade Retaining Kit (items 34 & 41)