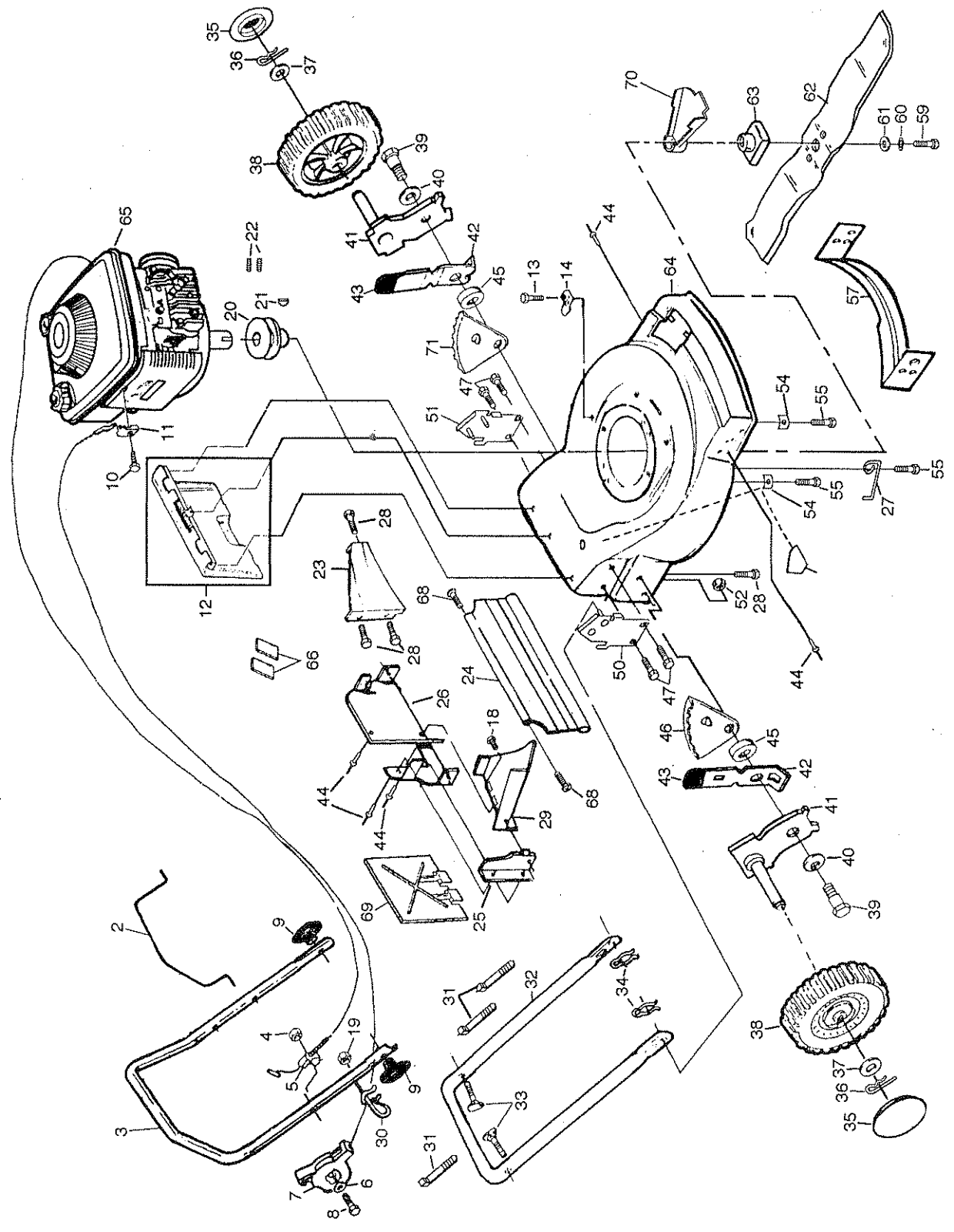


REPAIR PARTS

22" REAR BAGGER ROTARY LAWN MOWER - - MODEL NO. WE966RB



# REPAIR PARTS

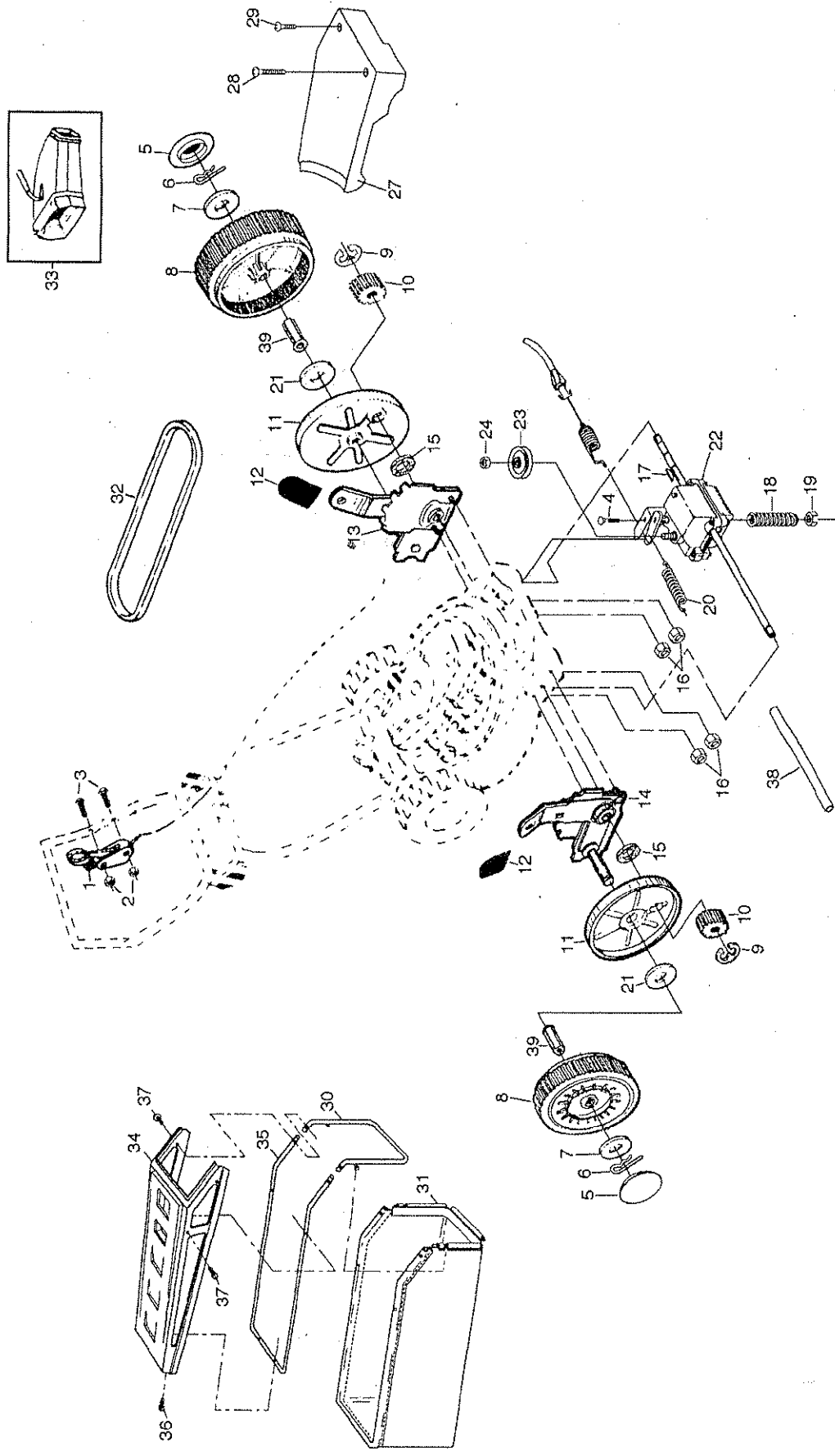
## 22" REAR BAGGER ROTARY LAWN MOWER - - MODEL NO. WE966RB

KEY NO.	PART NO.	DESCRIPTION	KEY NO.	PART NO.	DESCRIPTION
2	851660	Control Bar	36	85179	Retainer Clip
3	851708X479	Upper Handle	37	52160	Washer
4	63601	Locknut	38	701574	Wheel & Tire Assembly
5	130861	Engine Zone Control Cable	39	84921	Shoulder Bolt
6	85723	Washer	40	62335	Belleville Washer
7	700417	Throttle Control	41	85021X004	Axle Arm
8	86055	Machine Screw 1/4-20 x 2-1/4	42	700331X004	Selector Spring
9	136376	Handle Knob	43	87877	Selector Knob
10	83816	Screw #10 x 5/8	44	128415	Pop Rivet
11	213146	* Cable Clamp (Engine)	45	84920	Spacer
12	130452	Rear Door Kit	46	700377	Wheel Adjusting Bracket R.R.
13	750097	Hex Washer Head Screw #10-24 x 1/2	47	55187	Self-tapping Screw 5/16-18 x 3/4
14	87930	Housing Cable Guide	50	701921X419	Handle Bracket (Right)
17	107339X	Danger Decal	51	701923X419	Handle Bracket (Left)
18	86344	Screw	52	751592	Locknut 3/8-16
19	73510400	Keps Locknut 1/4-20	54	851201X004	Engine Washer
20	84596	Engine Pulley w/Setscrew	55	850998	Hex Head Thread Rolling Screw 3/8-16 x 1
21	87677	Hi Pro Key #505	57	132255X479	Front Baffle
22	59708	Set Screw 1/4-20 x 5/16	59	851084	Hex Head Machine Screw 3/8-24 x 1-3/8 Gr. 8
23	133040X479	Baffle, Rear	60	850263	Helical Lock Washer
24	128796	Rear Skirt	61	851074	Hardened Washer
25	700365X479	Side Baffle	62	134768	Blade 22"
26	700361X479	Back Plate	63	851514	Blade Adapter
27	135030	Retainer, Debris Shield	64	700956	Lawn Mower Housing Kit (Includes Key No. 17)
28	54583	Screw Hex Head 1/4-20 x 1/2	65	-- -- -- --	* Engine - Briggs & Stratton Model No. 124802
29	133190X479	Discharge Baffle	66	129925	Strip Seal
30	132001	Rope Guide	68	88652	Screw, Hinge
31	66426	Wire Tie	69	133170X479	Plate, Mulcher
32	132813X479	Lower Handle	70	134612	Shield, Debris
33	131959	Handle Bolt	71	700376	Wheel Adjusting Bracket L.R.
34	51793	Hairpin Cotter	--	700963	Operator's Manual
35	77400	Hubcap	--	702567	Repair Parts Manual

\* These parts must be purchased through an authorized Briggs & Stratton dealer.

REPAIR PARTS

22" REAR BAGGER ROTARY LAWN MOWER - - MODEL NO. WE966RB



**REPAIR PARTS**

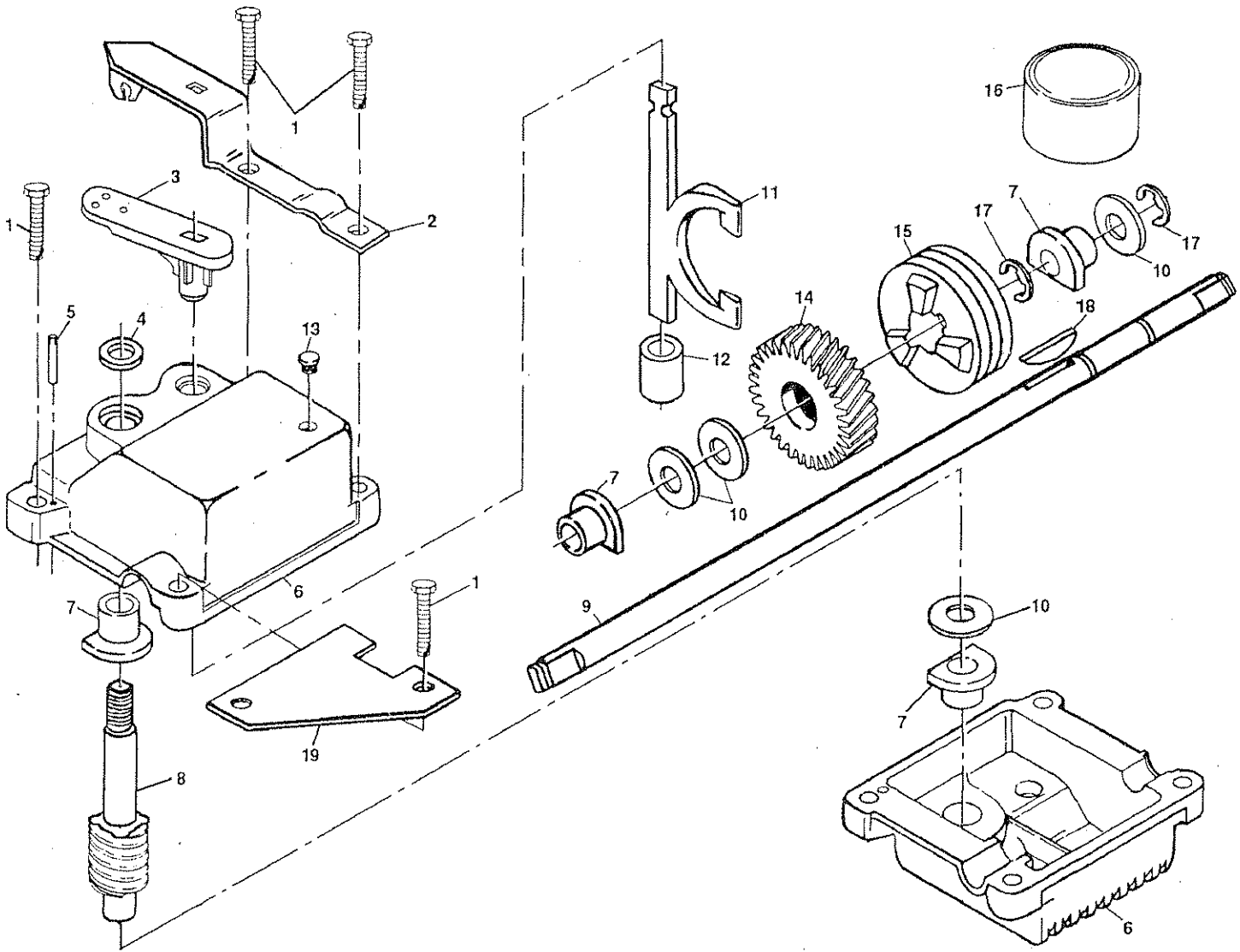
**22" REAR BAGGER ROTARY LAWN MOWER - - MODEL NO. WE966RB**

KEY NO.	PART NO.	DESCRIPTION	KEY NO.	PART NO.	DESCRIPTION
1	700615	Drive Control	20	75192	Spring
2	74189	Locknut #10-24	21	67725	Washer 1/2 x 1-1/2 x .134
3	750029	Pan Head Machine Screw #10-24 x 2	22	702511	Gear Case Assembly
4	700875	Carriage Bolt 1/4-20 x 2	23	137052	Drive Pulley
5	77400	Hubcap	24	132010	Locknut
6	85179	Retainer Clip	27	137081	Drive Cover
7	52160	Washer	28	87866	Pan Head Tapping Screw #10-24 x 2-3/4
8	701575	Wheel & Tire Assembly	29	136797	Pan Head Tapping Screw #10-24 x 1-3/4
9	12000057	E-ring	- 30	851735	Catcher Frame
10	137054	Pinion	- 31	134892	Grass Catcher
11	88080	Dust Cover	32	137078	V-Belt
12	87877	Selector Knob	33	--- ---	MA36 Clipping Deflector (Not Included with Lawn Mower)
13	700339	Wheel Adjuster Assembly (Left)	34	851739	Catcher Top
14	700340	Wheel Adjuster Assembly (Right)	- 35	851658	Tube Catcher
15	88118	Felt Washer	- 36	131029	Screw, Hex Washer #10-24 x .600
16	63601	Locknut	- 37	750634	Screw, Threads Roll #10-24 x 1/2
17	850848	Hi-Pro Key	38	86012	Drive Shaft Cover
18	137090	Spring	39	88446	Wheel Bushing
19	68038	Locknut 1/4-20	--	700513	Drive Cover Decal

# REPAIR PARTS

22" POWER PROPELLED LAWN MOWER - - MODEL NO. WE966RB

GEAR CASE ASSEMBLY PART NUMBER 702511



KEY NO.	PART NO.	DESCRIPTION
1	17490416	Screw, Tapping 1/4-20 x 1-1/4
2	137055	Bracket, Adjusting
3	137053	Shifter
4	57072	Seal
5	57388	Pin, Grooved 1/8 x 1/2
6	48281	Gear Case Halves, Upper and Lower (Includes Key #4, 5 and 7)
7	77881	Bearing
8	137051	Shaft, Worm
9	137074	Drive Shaft

KEY NO.	PART NO.	DESCRIPTION
10	57079	Washer, Hardened
11	131484	Yoke, Clutch
12	700343	Bushing
13	86447	Plug
14	137050	Gear, Helical
15	750436X	Jaw, Clutch
16	750355	Grease
17	12000003	E-Ring
18	850848	Key, Hi-Pro
19	81585X004	Spring Bracket

NOTE: All component dimensions given in U.S. inches  
1 inch = 25.4 mm

NOTE: To reseal housing halves use Loctite No. 515