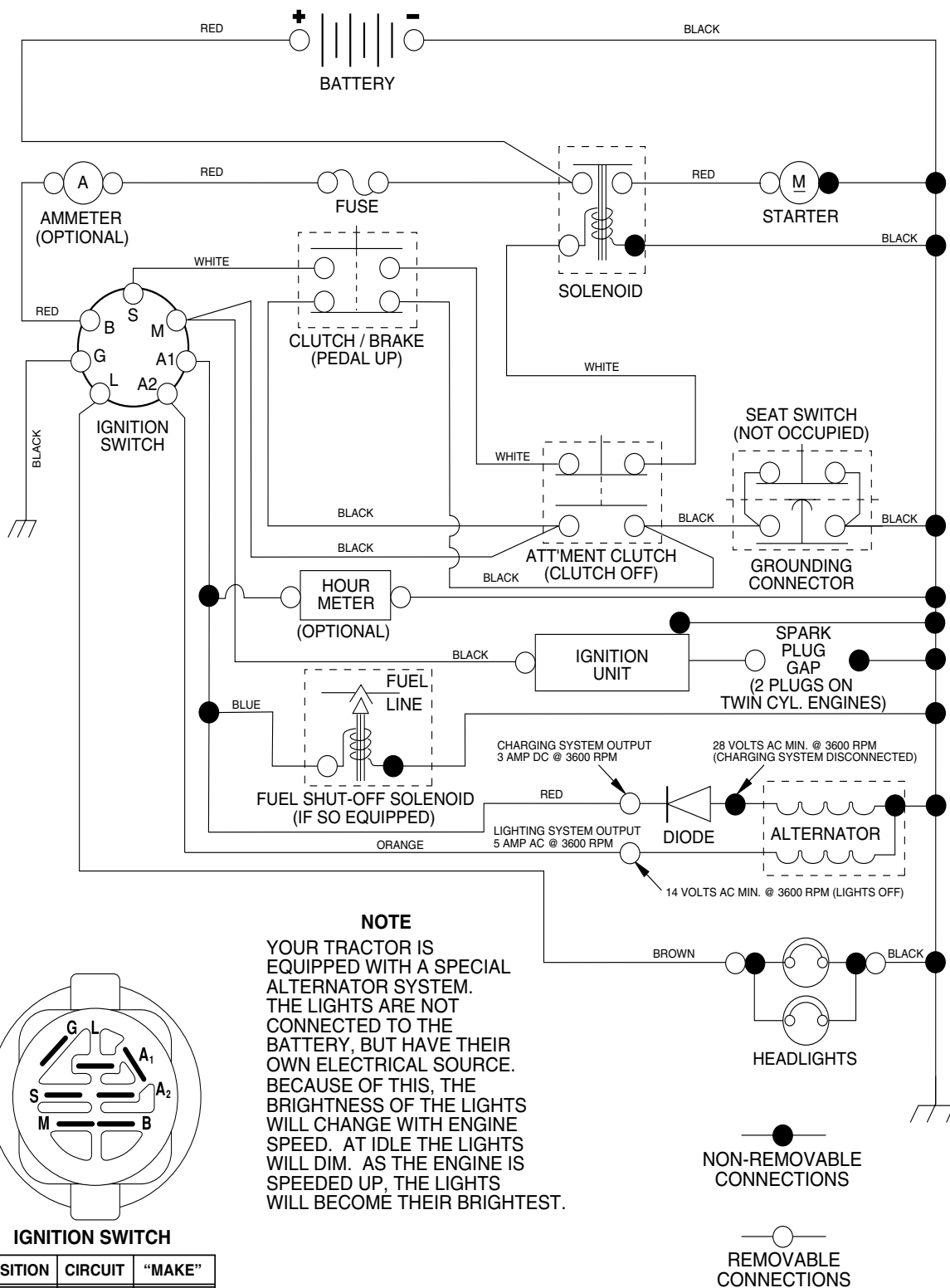
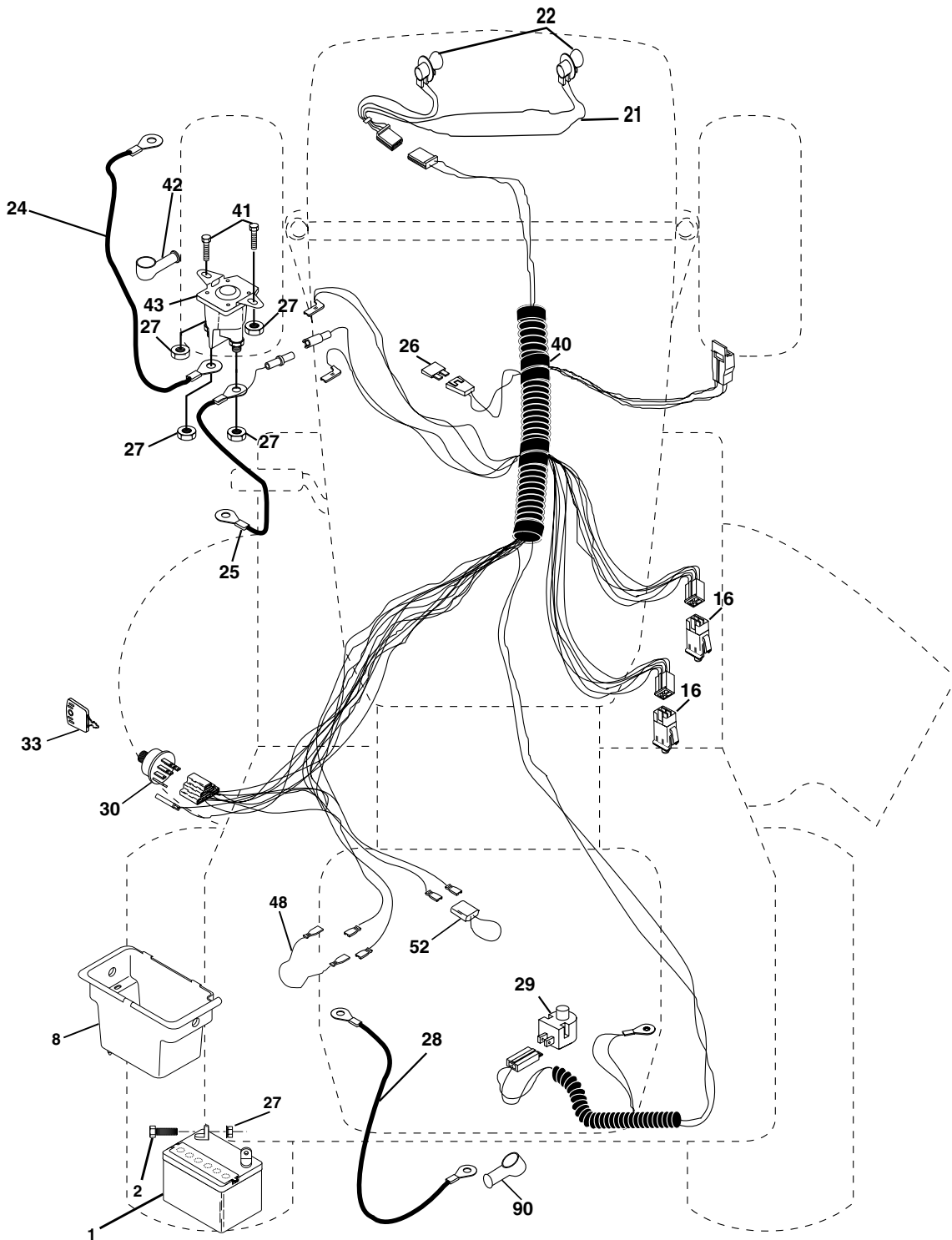


**TRACTOR -- MODEL NUMBER WA15542A, PRODUCT NUMBER 954 56 94-17  
SCHEMATIC**



# REPAIR PARTS

TRACTOR -- MODEL NUMBER WA15542A, PRODUCT NUMBER 954 56 94-17  
ELECTRICAL

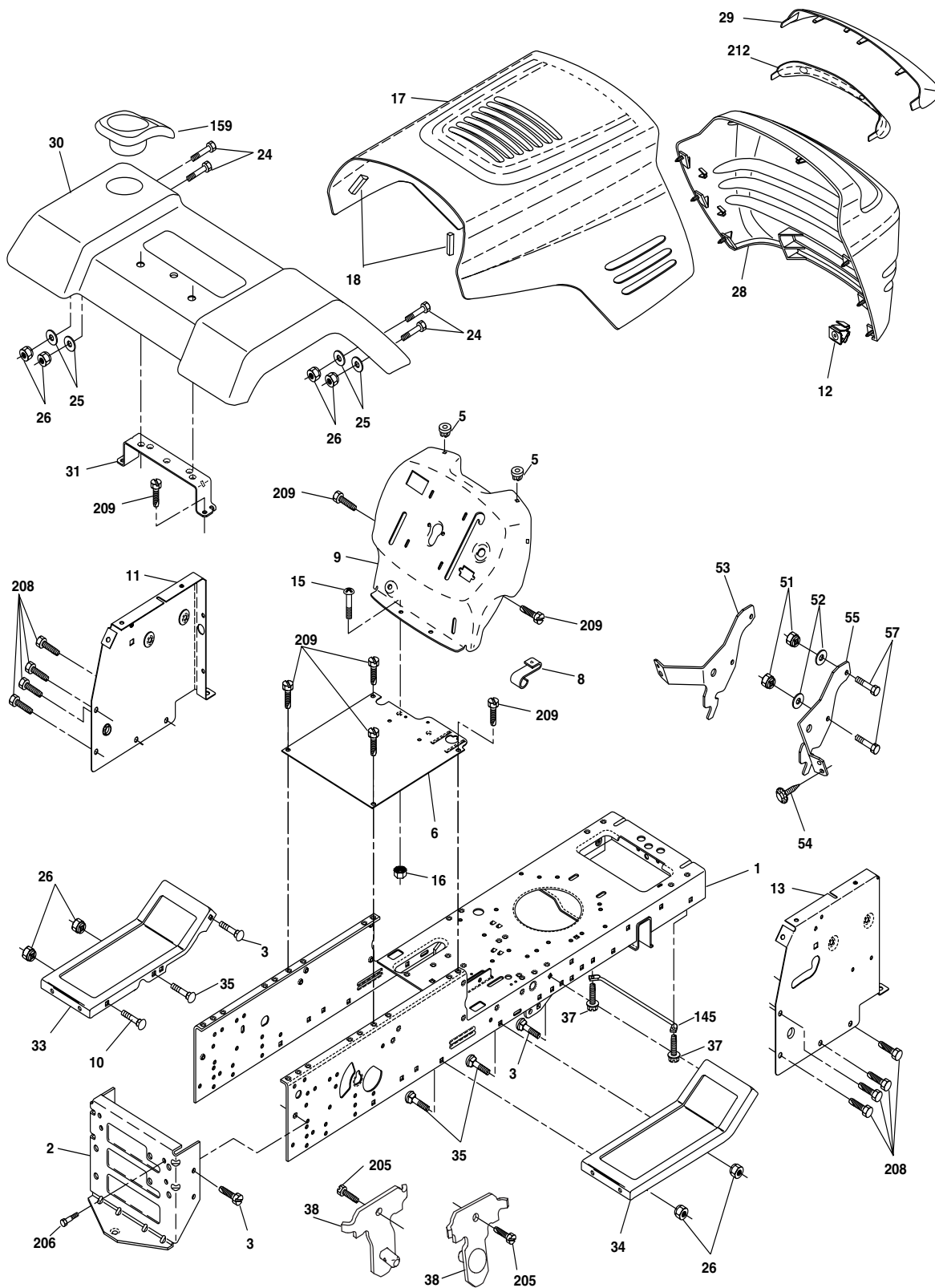


**TRACTOR - - MODEL NUMBER WA15542A, PRODUCT NUMBER 954 56 94-17  
ELECTRICAL**

<b>KEY NO.</b>	<b>PART NO.</b>	<b>DESCRIPTION</b>
1	163465	Battery
2	74760412	Bolt Hex Hd 1/4-20 unc x 3/4
8	176689	Box Battery Fender
16	176138	Switch, Interlock
21	175688	Harness Asm Light W/4152j
22	4152J	Bulb Light #1156
24	4799J	Cable Battery 6 Ga. 11" red
25	146147	Cable Battery 6 Ga. w/16 wire red
26	175158	Fuse 20 AMP
27	73510400	Nut, Keps Hex 1/4-20 unc
28	4207J	Cable Ground 6 Ga 12" black
29	121305X	Switch Plunger Nc Gray
30	175566	Switch Ign
33	140401	Key Ign.
40	179720	Harness Ign
41	71110408	Bolt Blk. Fin Hex 1/4-20 unc x 1/2
42	131563	Cover Terminal Red
43	178861	Solenoid
48	140844	Adapter Ammeter
52	141940	Protection Wire Loop
90	180499	Cover Battery Terminal

**NOTE:** All component dimensions give in U.S. inches  
1 inch = 25.4 mm

**TRACTOR - - MODEL NUMBER WA15542A, PRODUCT NUMBER 954 56 94-17  
CHASSIS AND ENCLOSURES**

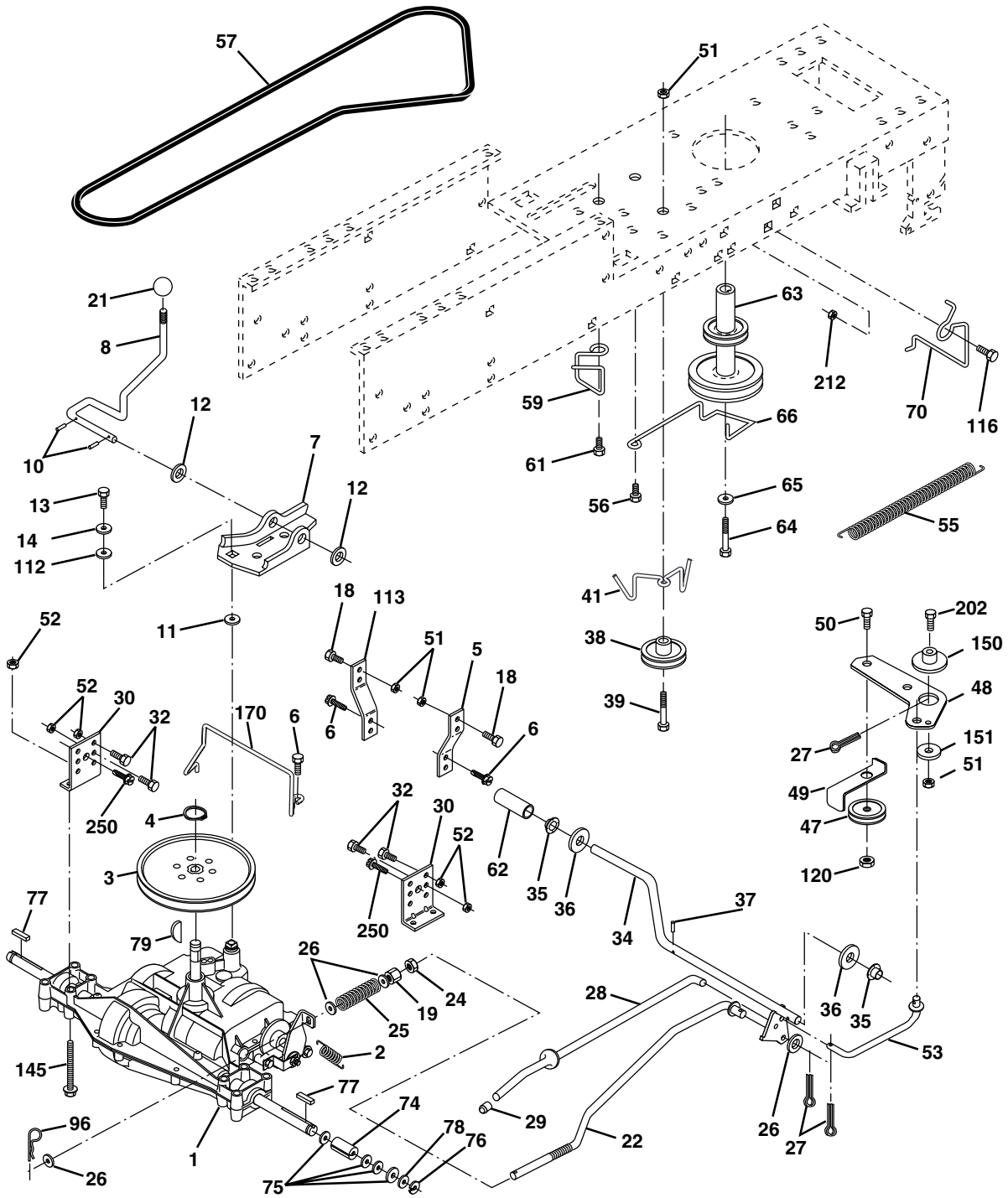


**TRACTOR - - MODEL NUMBER WA15542A, PRODUCT NUMBER 954 56 94-17  
CHASSIS AND ENCLOSURES**

<b>KEY NO.</b>	<b>PART NO.</b>	<b>DESCRIPTION</b>
1	174620	Chassis
2	176554	Drawbar
3	17060612	Screw 3/8-16 x 3/4
5	155272	Bumper Hood/Dash
6	174643X011	Saddle Slkscr Flat Lt 6 Sp
8	155138	Clip Retainer Slide-On
9	168347X011	Dash
10	72140608	Bolt RdHd Sqnk. 3/8-16 unc x 1
11	174996	Panel Asm. Dash Lh
12	145660	Clip Tinnerman Grile P/L
13	172105X010	Panel Dash Rh
15	74180512	Screw Mach Trhd 5/16-18 unc x 3/4
16	73510500	Nut Keps 5/16-18 unc
17	144983X603	Hood
18	184921	Bumper Hood
24	74780616	Bolt Fin Hex 3/8-16 unc x 1 Gr. 5
25	19131312	Washer 13/32 x 13/16 x 12 Ga.
26	73800600	Nut Lock Hex w/Insert 3/8-16 unc
28	178987X428	Grill/Lens Asm
29	155217X599	Lens Grille
30	185473X603	Fender Asm
31	136619	Bracket Fender
33	179716X603	Footrest LH
34	179717X603	Footrest RH
35	72110606	Bolt RdHd Sht. Sqnk. 3/8-16 x 3/4
37	17490508	Screw Thdrol 5/16-18 x 1/2 Tyt
38	175710	Bracket Asm. Pivot Mower Rear
51	73800400	Nut Lock Hex W/Ins. 1/4-20
52	19091416	Washer 9/32 x 7/8 x 16 Ga.
53	145201	Bracket Grille LH
54	161464	Screw Hex Wshd 8-18 x 7/8
55	145202	Bracket, Grille RH
57	74780412	Bolt Fin Hex 1/4-20 x .75
145	156524	Rod Pivot Chassis/Hood
159	169473X428	Cup Holder
205	17490608	Screw Thdrol 3/8-16 x 1/2
206	170165	Bolt shoulder 5/16-18
208	17670608	Screw Thdrol 3/8-16 x 1/2
209	17000612	Screw Hex Wsh Thdrol 3/8-16
212	165919	Insert Lens Reflector
--	5479J	Plug Btn Blk

**NOTE:** All component dimensions given in U.S. inches  
1 inch = 25.4 mm

**TRACTOR - - MODEL NUMBER WA15542A, PRODUCT NUMBER 954 56 94-17  
GROUND DRIVE**

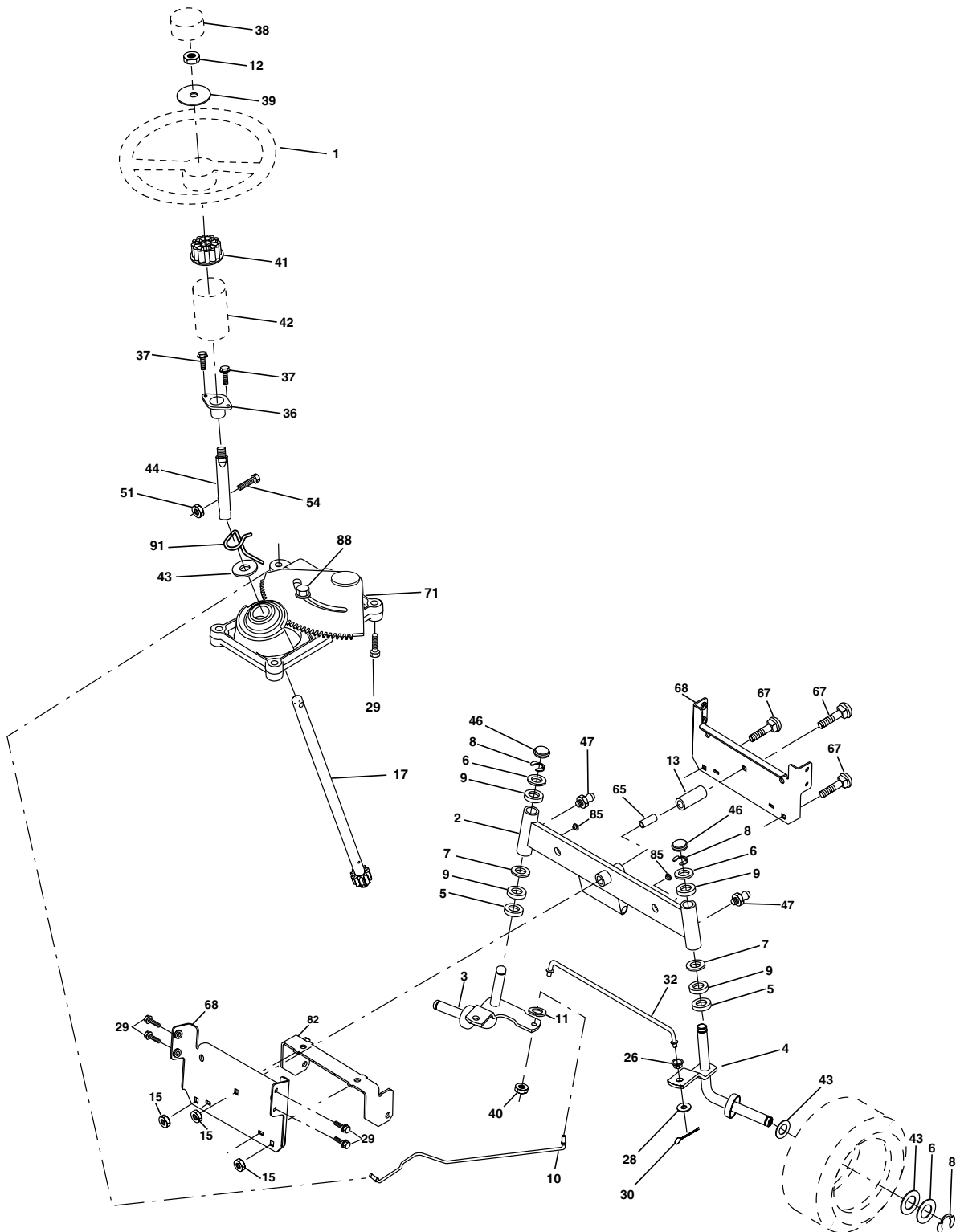


**TRACTOR -- MODEL NUMBER WA15542A, PRODUCT NUMBER 954 56 94-17  
GROUND DRIVE**

KEY NO.	PART NO.	DESCRIPTION	KEY NO.	PART NO.	DESCRIPTION
1	-----	Transaxle Peerless Model 206-545C (Order Parts From Transaxle Manufacturer)	51	73680600	Nut
2	146682	Spring Extension Brake	52	73680500	Nut
3	123666X	Pulley Transaxle 18" tires	53	105710X	Link Clutch 7 66
4	12000028	Ring Retainer # 5100-62	55	105709X	Spring Return Clutch 6 75
5	121520X	Strap Torque Rh Pnt Blk	56	17060620	Screw 3/8-16 x 1-1/4
6	17060512	Screw 5/16-18 x 3/4	57	130801	V-belt Ground Drive 95
7	162240	Bracket T/A Saddle Shift	59	169691	Keeper Belt Chassis Span Ctr.
8	131679	Rod Shifter Black	61	17120614	Screw 3/8-16 x .875
10	76020416	Pin,Cotter	62	8883R	Cover Pedal Blk Round
11	105701X	Washer Plate Shf 388 Sq Hole	63	175410	Pulley Engine
12	19151216	Washer 15/32 x 3/4 x 16ga	64	71170764	Bolt, Hex 7/16-20 x 4 Gr. 5
13	74550412	Bolt 1/4-28 unf Gr. 8 W/Patch	65	10040700	Washer, Lock, Hvy Hlcl Spring 7/16
14	10040400	Washer	66	154778	Keeper Belt Engine Flproof
18	74780616	Bolt Fin Hex 3/8-16 unc x 1 Gr. 5	70	134683	Guide Belt Dr Mower Rh
19	73800600	Nut	74	137057	Spacer Axle
21	106933X	Knob Rd 1/2-13 Plstc Thds Blk	75	121749X	Washer 25/32 x 1 1/4 x 16 Ga.
22	130804	Rod Brake Lt	76	12000001	E Ring
24	73350600	Nut	77	123583X	Key Square 2 0 x 1845/1865
25	106888X	Spring Rod Brake 2 00 Zinc	78	121748X	Washer 25/32 x 1 5/8 x 16 Ga.
26	19131316	Washer	79	2228M	Key Woodruff
27	76020412	Pin	96	4497H	Retainer Spring 1"
28	175765	Rod Brake Parking	112	19091210	Washer 9/32 x 3/4 x 10 Ga.
29	71673	Cap Parking Brake	113	127285X	Strap Torque Lh
30	174973	Bracket Transmission	116	72140608	Bolt, Rdhd Sqnk 3/8-16 x 1.00
32	74760512	Bolt	120	73900600	Nut Lock Flg 3/8-16
34	175578	Shaft Asm Pedal Foot	145	74490540	Bolt Hex Flghd 5/16-18 x Gr. 5
35	120183X	Bearing Nylon Blk 629 Id	150	175456	Spacer Retainer
36	19211616	Washer	151	19133210	Washer 13/32 x 2 x 10 Ga.
37	1572H	Roll Pin	170	178394	Keeper Belt
38	179114	Pulley Idler Composite	202	72110614	Bolt RdHd 3/8-16 unc x 1-3/4 Gr. 5
39	74760648	Bolt Fin Hex 3/8-16 unc x 3	212	145212	Nut Hex Flange Lock
41	175556	Keeper Belt Idler	250	17060612	Screw 3/8-16 x 3/4
47	127783	Pulley Idler V Groove Plastic			
48	154407	Bellcrank Clutch			
49	123205X	Retainer Belt Style Spring			
50	72110612	Bolt Carr Sh 3/8-16 x 1-1/2 Gr. 5			

**NOTE:** All component dimensions given in U.S. inches  
1 inch = 25.4 mm

**TRACTOR - - MODEL NUMBER WA15542A, PRODUCT NUMBER 954 56 94-17**  
**STEERING ASSEMBLY**



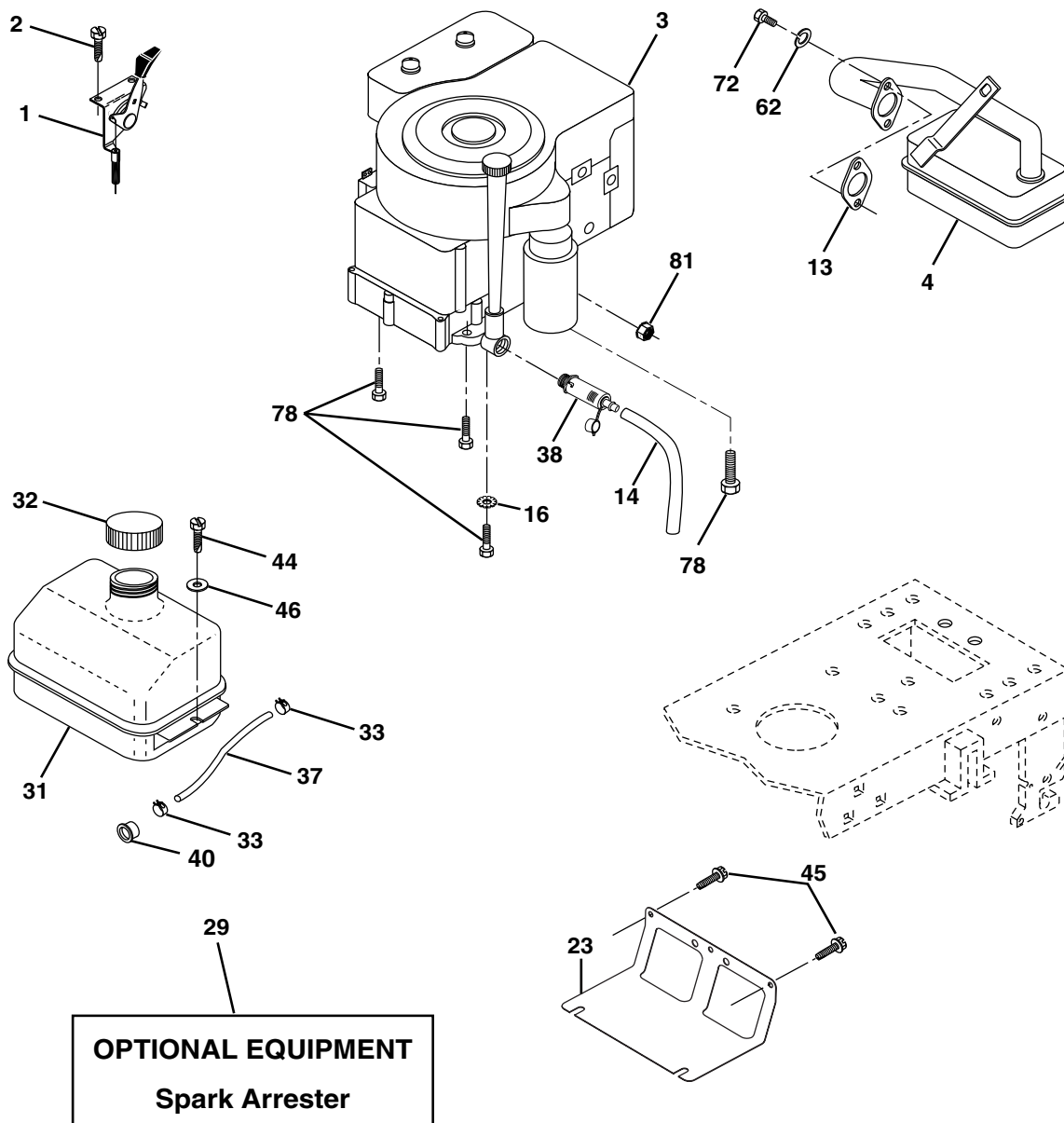


**TRACTOR - - MODEL NUMBER WA15542A, PRODUCT NUMBER 954 56 94-17  
STEERING ASSEMBLY**

<b>KEY NO.</b>	<b>PART NO.</b>	<b>DESCRIPTION</b>
1	184704X428	Wheel Steering Auto Black
2	175131	Axle Asm Front
3	169840	Spindle Asm Lh
4	169839	Spindle Asm Rh
5	6266H	Bearing Race Thrust Harden
6	121748X	Washer 25/32 x 1 5/8 x 16 Ga.
7	19272016	Washer 27/32 x 1 1/4 x 16 Ga.
8	12000029	Ring Klip #15304-75
9	3366R	Bearing Col Strg Blk
10	175121	Link Drag
11	10040600	Lockwasher
12	73940800	Nut Hex Jam Toplock 1/2-20 unf
13	136518	Spacer Bearing Axle Front
15	145212	Hex Flange Lock
17	180641	Shaft Asm Strg
26	126847X	Bushing Rod Tie Blk Lt
28	19131416	Washer 13/32 x 7/8 x 16 Ga.
29	17060612	Screw 3/8-16 x 3/4
30	76020412	Pin
32	130465	Rod Tie Wire Form 19 75 Mech
36	155099	Bushing Strg 5/8 Id Dash
37	152927	Screw TT #10-32 x 5 x 3/8 Flange
38	159946X428	Insert Cap Strg
39	19183812	Washer 9/16 ID x 2-3/8 OD 12 Ga.
40	7810H	Locknut Center
41	159945	Adaptor Wheel Strg
42	145054X428	Boot Dash Steering
43	121749X	Washer 25/32 x 1 1/4 x 16 Ga.
44	180640	Extension Shaft Steering
46	121232X	Cap Spindle Fr Top Blk
47	183226	Fitting Grease
51	73540400	Nut Crownlock 1/4-28
54	71130420	Bolt Hex 1/4-28 unf x 1-1/4 Gr. 8
65	160367	Spacer Brace Axle
67	72140618	Bolt Rdhd Sq 3/8-16 unc x 2-3/4
68	169827	Brace Axle
71	175146	Steering Asm
82	169835	Bracket Susp Chassis Front
85	133835	Fastener Christmas Tree
88	175118	Bolt Shoulder 7/16-20 unc
91	175553	Clip Steering

**NOTE:** All component dimensions given in U.S. inches  
1 inch = 25.4 mm

**TRACTOR -- MODEL NUMBER WA15542A, PRODUCT NUMBER 954 56 94-17  
ENGINE**



**OPTIONAL EQUIPMENT**  
**Spark Arrester**

KEY PART NO.	PART NO.	DESCRIPTION
1	170551	Control Throttle/Choke Flag
2	17720408	Screw Hex Thd Cut 1/4-20 x 1/2
3	-----	Engine Briggs Model 282H07 (Order Parts From Engine Manufacturer)
4	137352	Muffler Exhaust B&S Lt
13	165291	Gasket 1 313 Id Tin Plated
14	148456	Tube Drain Oil
16	11050600	Washer Lock Ext Tooth 3/8
23	169837	Shield Browning/Debris Guard
29	137180	Arrestor Spark
31	109202X	Tank Fuel 1 25 Fr
32	140527	Cap Asm Fuel W/sym Vented
33	123487X	Clamp Hose Blk
37	137040	Line Fuel 20"
38	181654	Plug Drain Oil
40	124028X	Bushing Snap Nyl Blk Fuel Line
44	17670412	Screw Hexwsh Thdrol 1/4-20 x 3/4
45	17000612	Screw Hex Wsh Thdrol 3/8-16

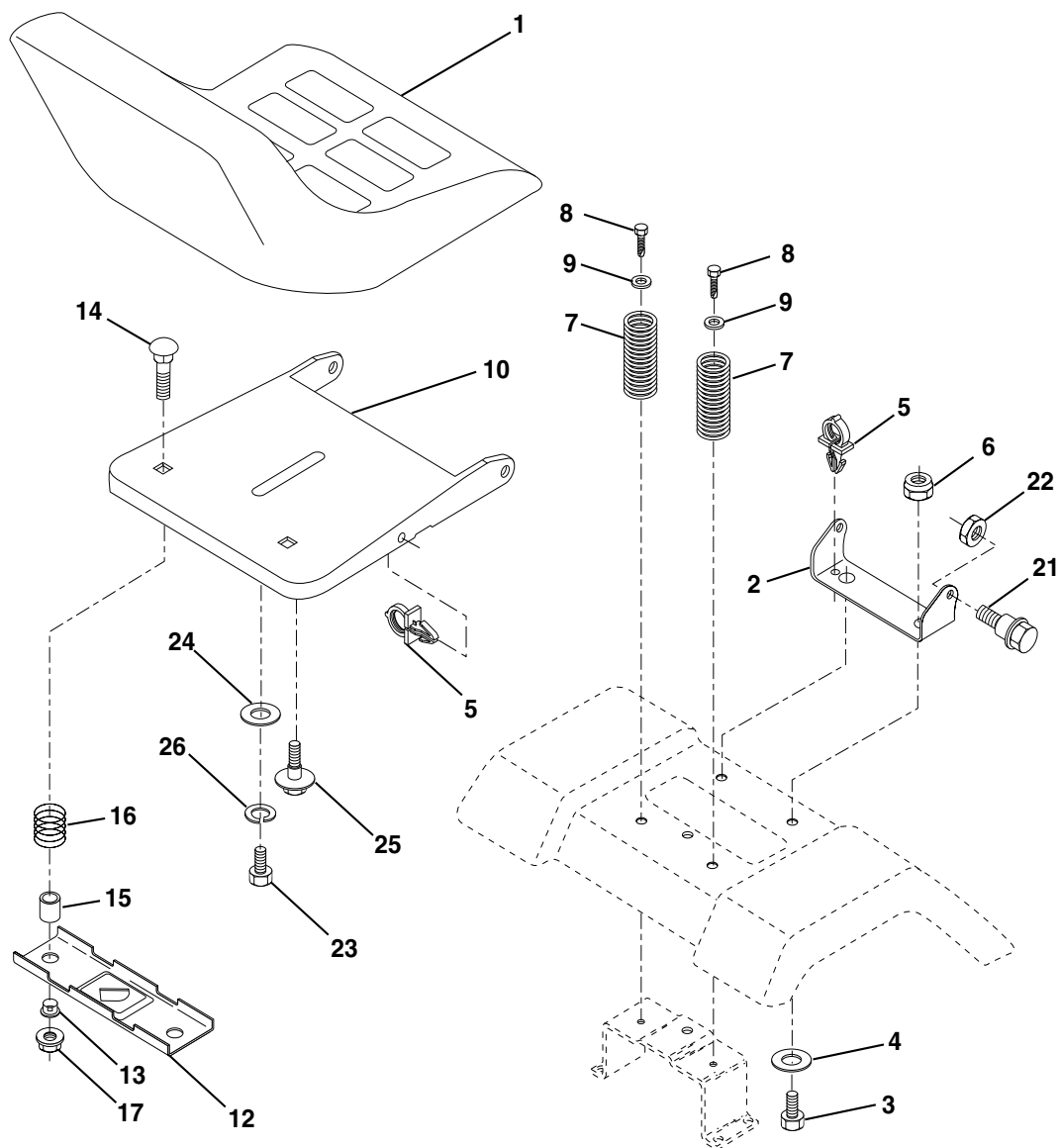
KEY PART NO.	PART NO.	DESCRIPTION
46	19091416	Washer 9/32 x 7/8 x 16 Ga.
62	10040500	Washer Lock Hvy Hlcl Spr 5/16
72	71070512	Screw Hexhd Cap 5/16-18 x 3/4
78	17060620	Screw 3/8-16 x 1-1/4
81	73510400	Nut Keps Hex 1/4-20 unc

**NOTE:** All component dimensions given in U.S. inches  
1 inch = 25.4 mm

For engine service and replacement parts, call the toll free number for your engine manufacturer listed below:

Briggs & Stratton	1-800-233-3723
Kohler Co.	1-800-544-2444
Tecumseh Products	1-800-558-5402
Honda Engines	1-800-426-7701
Kawasaki	1-949-460-5688

**TRACTOR - - MODEL NUMBER WA15542A, PRODUCT NUMBER 954 56 94-17  
SEAT ASSEMBLY**

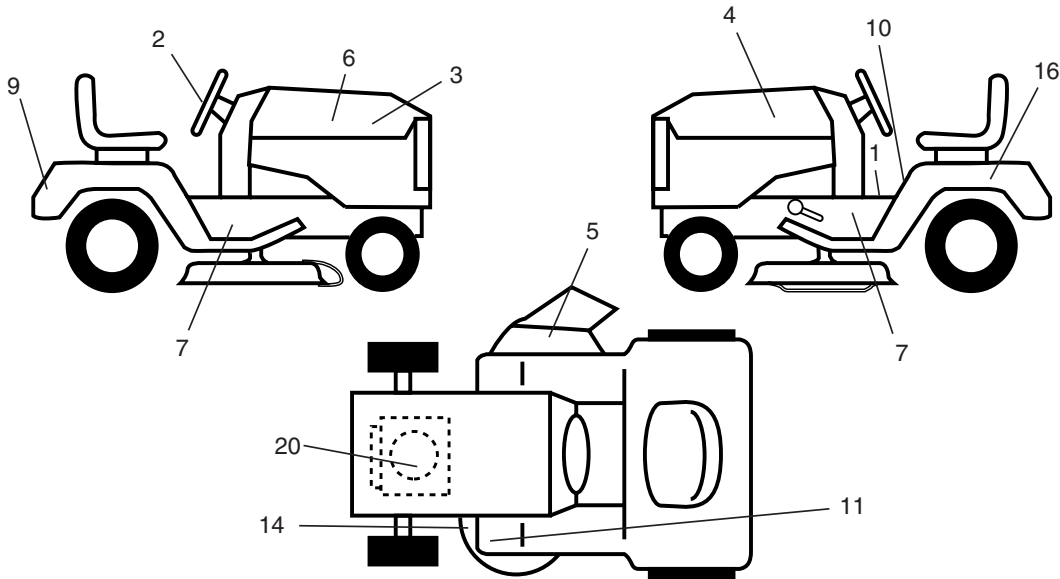


KEY PART NO.	PART NO.	DESCRIPTION
1	140117	Seat
2	140551	Bracket Pnt Pivot Seat (blk )
3	71110616	Bolt
4	19131610	Washer 13/32 x 1 x 10 Ga.
5	145006	Clip Push-In Hinged
6	73800600	Nut
7	124181X	Spring Seat Cprsn 2 250 Blk Zi
8	17000616	Screw 3/8-16 x 1
9	19131614	Washer 13/32 x 1 x 14 Ga.
10	182493	Pan Pnt Seat (blk )
12	121246X	Bracket Pnt Mounting Switch
13	121248X	Bushing Snap Blk Nyl 50 Id

KEY PART NO.	PART NO.	DESCRIPTION
14	72050412	Bolt Rdhd Sht Nk 1/4-20 x 1-1/2
15	134300	Spacer Split 28 x 96 Yel Zinc
16	121250X	Spring Cprsn 1 27 Blk Pnt
17	123976X	Nut Lock 1/4 Lge Flg Gr. 5 Zinc
21	171852	Bolt Shoulder 5/16-18 unc Blkz-2A
22	73800500	Nut
23	71110814	Bolt Hex Black
24	19171912	Washer 17/32 x 1-3/16 x 12 Ga.
25	127018X	Bolt Shoulder 5/16-18 x 62
26	10040800	Lockwasher

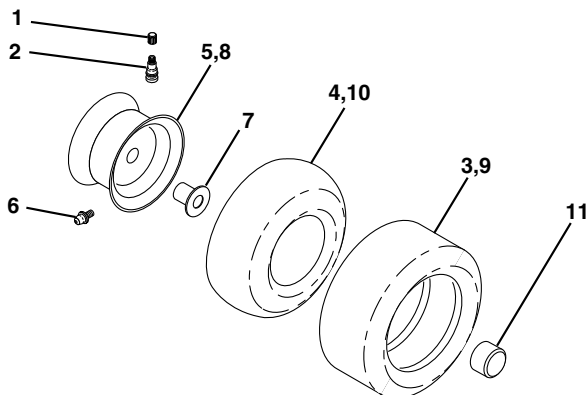
**NOTE:** All component dimensions given in U.S. inches 1 inch = 25.4 mm

**TRACTOR -- MODEL NUMBER WA15542A, PRODUCT NUMBER 954 56 94-17  
DECALS**



KEY PART NO.	PART NO.	DESCRIPTION	KEY PART NO.	PART NO.	DESCRIPTION
1	156867	Decal Instruction Operat English	11	181249	Decal Clutch/brake
2	184943	Decal Steering	14	160396	Decal V-belt Schematic 42"
3	184934	Decal Hood Rh	16	145005	Decal Battery Danger/Poison
4	184942	Decal Hood Lh	20	185409	Decal HP Engine
5	179128	Decal Deck "B"	--	179769X428	Pad Footrest RH
6	185409	Decal Replace	--	179768X428	Pad Footrest LH
7	184945	Decal Chassis 6 Sp/42	--	138311	Decal Lift Handle
9	184944	Decal Fender Logo	--	184539	Manual Owner's English
10	156439	Decal Danger English	--	184540	Manual Owner's Spanish

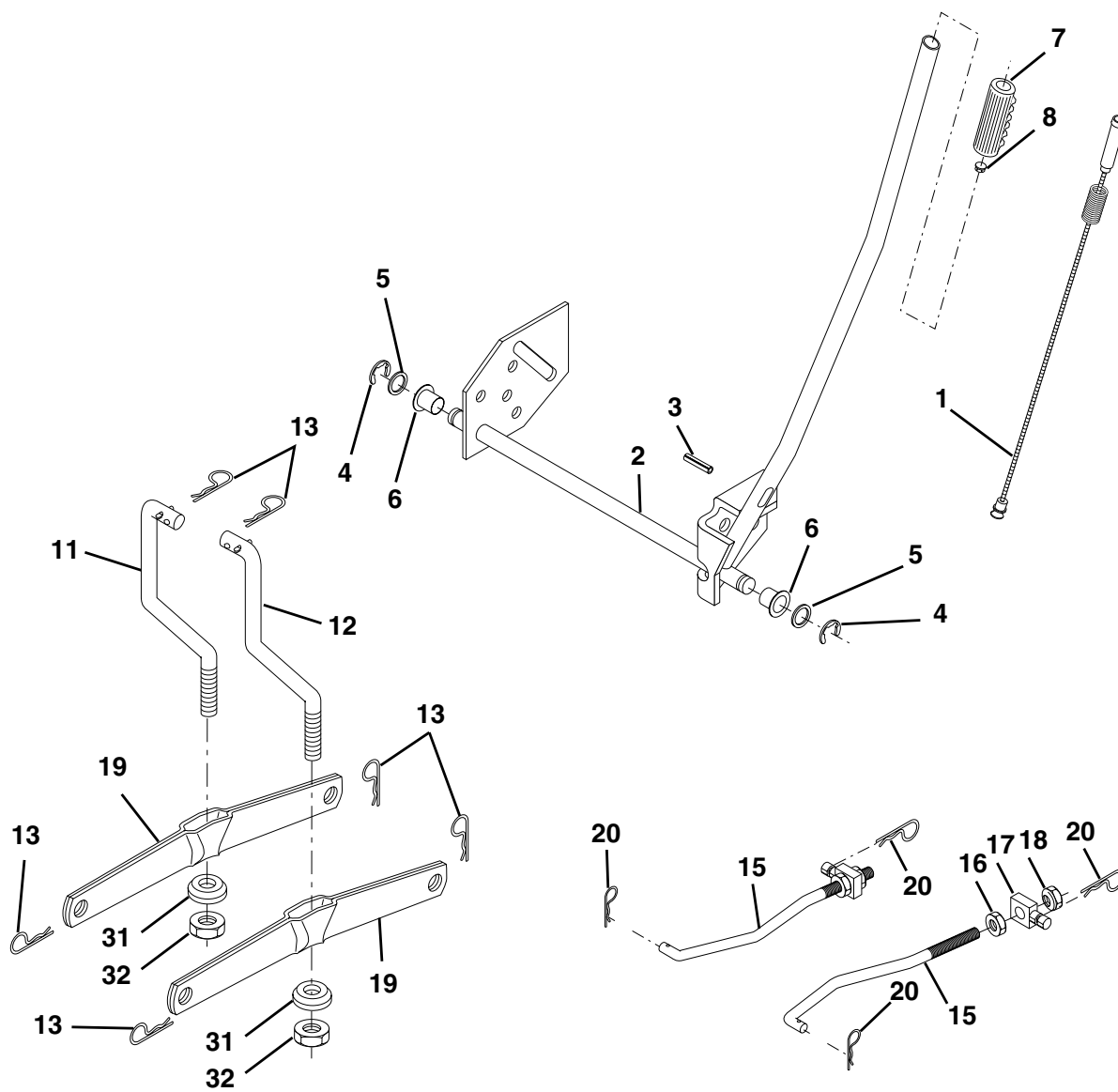
**WHEELS & TIRES**



KEY PART NO.	PART NO.	DESCRIPTION
1	59192	Cap Valve Tire
2	65139	Stem Valve
3	106222X	Tire F Ts 15 X 6 0 - 6 Service
4	59904	Tube Front (Service Item Only)
5	106732X417	Rim Asm 6"front Silver Service
6	278H	Fitting Grease (Front Wheel Only)
7	9040H	Bearing Flange (Front Wheel Only)
8	106108X417	Rim Asm 8"rear Silver Service
9	124635X	Tire R Ts 18x8.5-8 C Service
10	7152J	Tube Rear (Service Item Only)
11	104757X428	Cap Axle Blk 1 50 X 1 00
--	144334	Sealant, Tire (10 oz. Tube)

**NOTE:** All component dimensions given in U.S. inches 1 inch = 25.4 mm

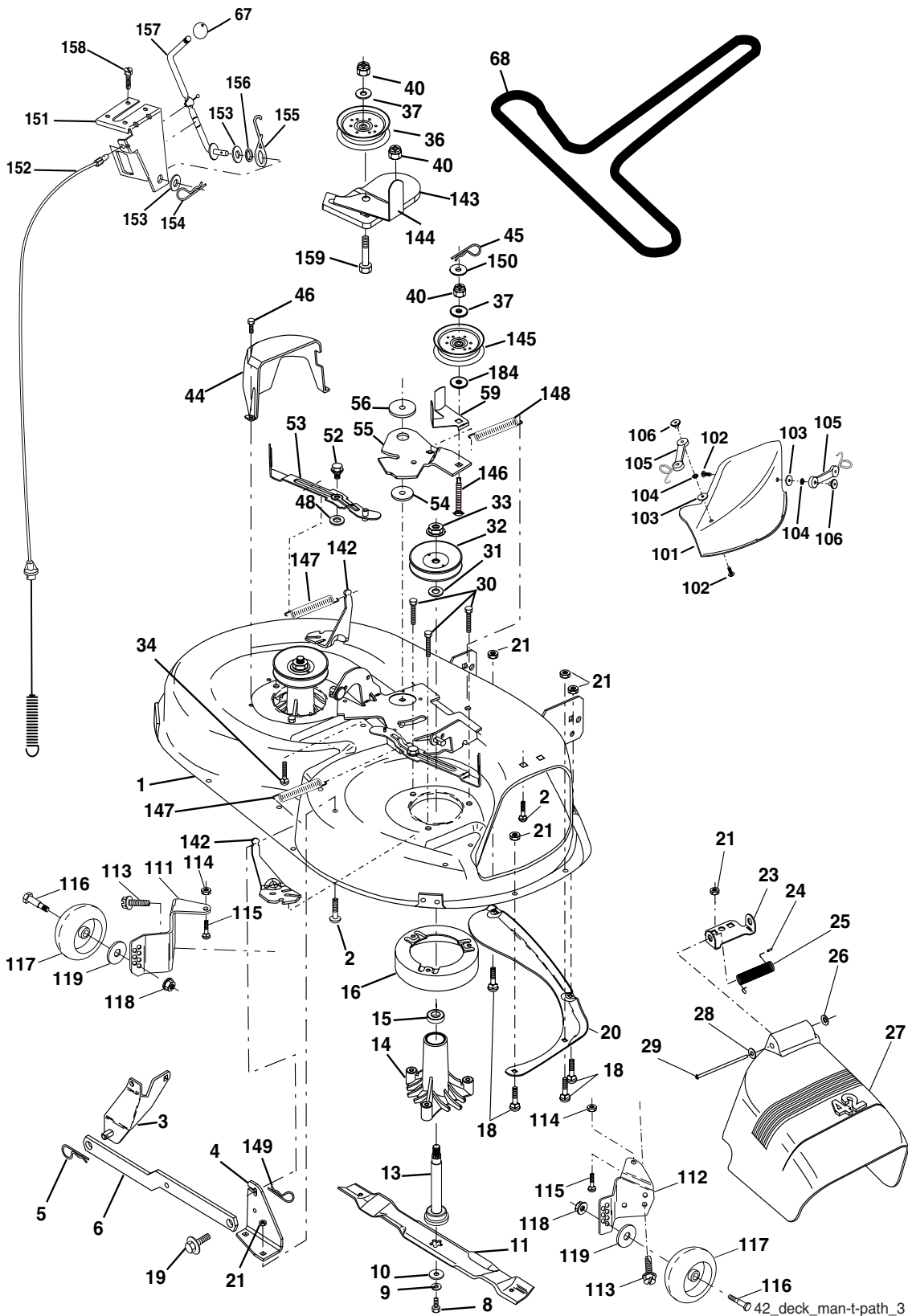
**TRACTOR - - MODEL NUMBER WA15542A, PRODUCT NUMBER 954 56 94-17  
LIFT ASSEMBLY**



KEY NO.	PART NO.	DESCRIPTION
1	159460	Wire Asm Inner/Sprg w/Plunger
2	159471	Shaft Asm Lift
3	105767X	Pin Groove
4	12000002	E Ring #5133-62
5	19211621	Washer 21/32 x 1 x 21 Ga.
6	120183X	Bearing Nylon
7	109413X	Grip Handle
8	124526X	Button Plunger
11	139865	Link Lift Lh
12	139866	Link Lift Rh
13	4939M	Retainer Spring
15	173288	Link Front
16	73350800	Nut Jam Hex 1/2-13 unc
17	175689	Trunnion
18	73800800	Nut Lock w/Wsh 1/2-13 unc
19	139868	Arm Suspension Rear
20	163552	Retainer Spring
31	169865	Bearing Pvt Lift
32	73540600	Nut Crownlock 3/8-24

**NOTE:** All component dimensions given in U.S. inches  
1 inch = 25.4 mm

TRACTOR -- MODEL NUMBER WA15542A, PRODUCT NUMBER 954 56 94-17  
MOWER DECK



**TRACTOR -- MODEL NUMBER WA15542A, PRODUCT NUMBER 954 56 94-17  
MOWER DECK**

KEY NO.	PART NO.	DESCRIPTION	KEY NO.	PART NO.	DESCRIPTION
1	165892	Mower Deck Assembly, 42"	67	106932X	Knob
2	72140506	Bolt	68	144959	V-Belt, 42" Mower
3	138017	Bracket Asm Fr. Sway Bar 3/42	101	136420	Mulcher Cover
4	165460	Bracket Asm Deck 42" Sway Bar	102	71081010	Screw Pan Hd Phillips 10-24 x 5/8
5	4939M	Retainer Spring	103	19061216	Washer Flat
6	178024	Bar Sway Deck	104	10071000	Washer, Lock
8	850857	Bolt 3/8-24 x 25 Gr. 8 patched	105	160793	Latch Assembly
9	10030600	Washer, Lock	106	2029J	Nut, Weld
10	140296	Washer, Hardened (The following blades are available)	111	179292	Bracket, Gauge, Wheel LH
11	134149	Blade, 42" Mulching Std. (For mulching mowers only)	112	179293	Bracket, Gauge, Wheel RH
--	139775	Blade, 42" Mulching Premium (For better wear when mulching)	113	17060510	Screw Tapping 3/8-16 x .625
--	138971	Blade, 42" Hi-Lift (For bagging or discharging)	114	73510500	Nut, Keps 5/16 - 18 unc
13	137645	Shaft Assembly, Mandrel, Vented	115	72110505	Bolt, Carriage 5/16-18 x 5/8
14	128774	Housing, Mandrel, Vented	116	4898H	Bolt, Shoulder
15	110485X	Bearing, Ball, Mandrel	117	165746	Wheel, Gauge
16	174493	Stripper, Mower Deck	118	73930600	Nut Centerlock 3/8-16
18	72140505	Bolt, Carriage 5/16-18 x 5/8	119	19121414	Washer 3/8 x 7/8 x 14 Ga.
19	132827	Bolt, Shoulder	142	165890	Arm Spring Brake Mower
20	159770	Baffle, Vortex	143	157109	Bracket Arm Idler 42"
21	73680500	Nut	144	158634	Keeper Belt 42" Clutch Cable
23	177563	Bracket, Deflector Mower 42"	145	165888	Pulley Idler Flat
24	105304X	Cap, Sleeve 80 x 112 Blk Mower	146	171977	Bolt Carriage Idler
25	123713X	Spring, Torsion, Deflector 2 52	147	131335	Spring Extension
26	110452X	Nut, Push Phos & Oil	148	169022	Spring Return Idler
27	130968X428	Shield, Deflector 42" Blk	149	165898	Retainer Spring Yellow
28	19111016	Washer 11/32 x 5/8 x 16 Ga.	150	19091216	Washer 9/32 x 3/4 x 16 Ga.
29	131491	Rod, Hinge 42" 6 75 W/G	151	169670	Bracket Clutch Cable
30	173984	Screw Thdrol Hex	152	169676	Clutch Cable 42"
31	129963	Washer, Spacer Mower Vented	153	169674	Washer Flat 3/8" Type B
32	153535	Pulley, Mandrel	154	169675	Spring Retainer
33	178342	Nut, Toplock	155	169671	Spring Retention LVR CLUTCH CAB
34	72110614	Bolt	156	169672	Spacer Clutch Cable
36	131494	Pulley, Idler, Flat	157	169669	Rod Clutch Cable 3/8"
37	19131316	Washer 13/32 x 13/16 x 16 Ga.	158	17720408	Screw Hex Thd Cut 1/4-20 x 1/2
40	73680600	Nut	159	72140614	Bolt Rdhd Sqd 3/8-16 unc x 1- 3/4
44	140088	Guard, Mandrel, LH	184	19131410	Washer 13/32 x 7/8 x 10 Ga.
45	4497H	Retainer	--	130794	Mandrel Assembly (Includes Housing, Shaft and Shaft Hardware Only - Pulley Not Included)
46	137729	Screw, Thdrol 1/4-20 x 5/8 T	--	171491	Replacement Mower, Complete Std. Deck-Order separately mulcher cover and guage wheel components key nos. 101 - 106 and 116 - 119).
48	133944	Washer, Hardened			
52	139888	Bolt, Shoulder 5/16-18 unc			
53	184907	Arm Assembly, Pad, Brake			
54	178515	Washer, Hardened			
55	155046	Arm, Idler			
56	165723	Spacer, Retainer			
59	141043	Guard TUV Idler			

**NOTE:** All component dimensions given in U.S.inches  
1 inch = 25.4 mm