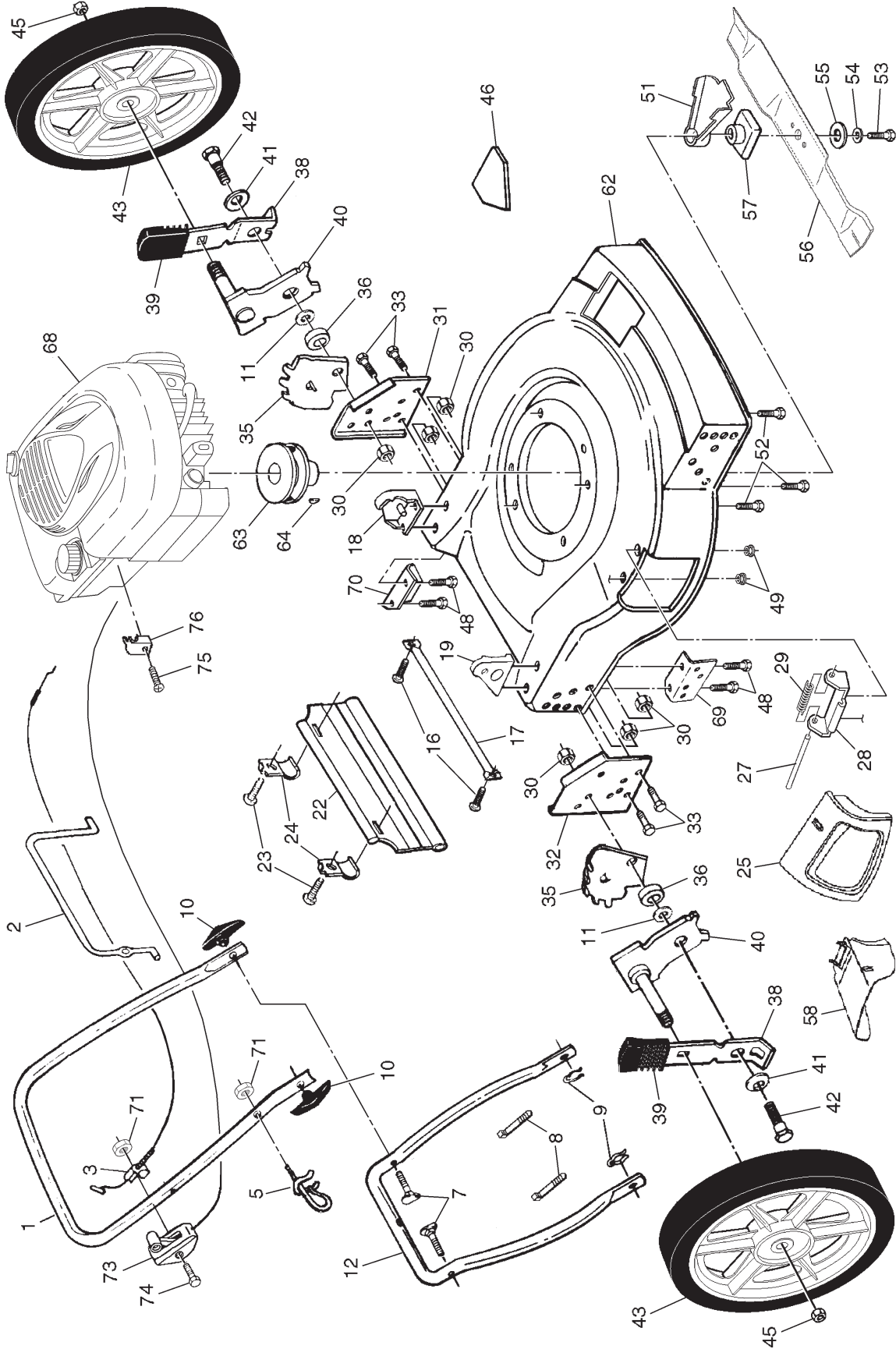


ROTARY LAWN MOWER - - MODEL NUMBER SR62522SHA

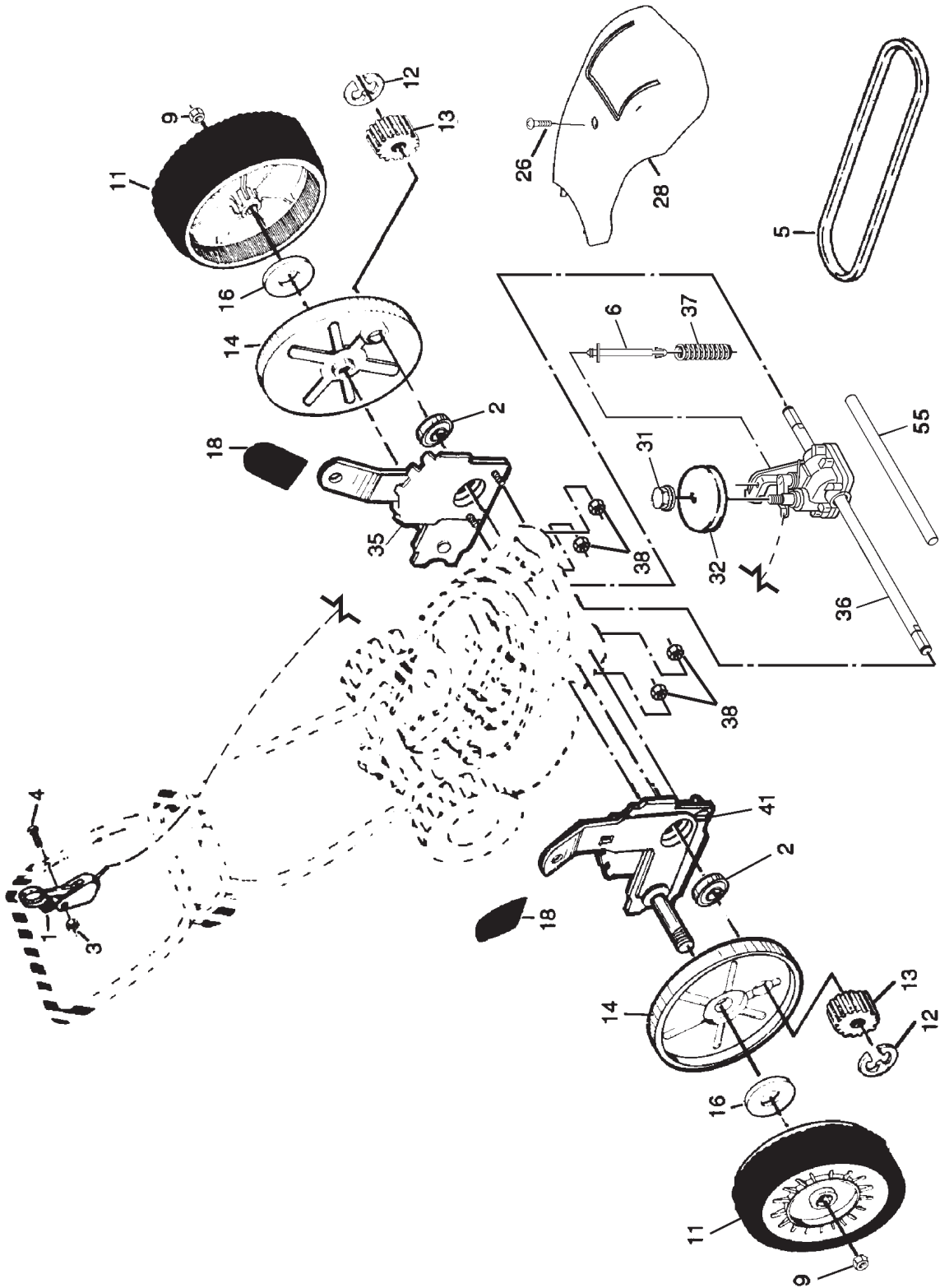


ROTARY LAWN MOWER - - MODEL NUMBER SR62522SHA

KEY NO.	PART NO.	DESCRIPTION	KEY NO.	PART NO.	DESCRIPTION
1	166860X479	Upper Handle	43	190013	Wheel & Tire Assembly
2	146771	Control Bar	45	83923	Locknut, Hex 3/18-16
3	149293	Engine Zone Control Cable	46	141846	Decal, Danger
5	179585	Rope Guide	48	149741	Screw, Thread Cutting 5/16-18 x 3/4
7	131959	Handle Bolt	49	73800400	Locknut, Hex
8	66426	Wire Tie	51	182002	Debris Shield
9	51793	Hairpin Cotter	52	150406	Screw, Hex Head, Threaded, Rolled 3/8-16 x 1-1/8
10	136376	Handle Knob	53	851084	Screw, Hex Head 3/8-24 x 1-3/8 (Grade 8)
11	88348	Washer, Flat 3/8	54	850263	Washer, Lock, Helical
12	151590X479	Lower Handle	55	851074	Washer, Hardened
16	54583	Screw, Tapping, Hex Head 1/4-20 x 1/2	56	152202	Blade, 22"
17	165175X479	Rod, Support	57	184590	Adapter, Blade
18	170346X479	Handle Bracket Assembly (Left)	58	176509	Deflector, Discharge
19	170345X479	Handle Bracket Assembly (Right)	62	190341	Lawn Mower Housing (Includes Key Number 46)
22	189008	Rear Deflector	63	184941	Pulley, Engine
23	750097	Screw, Hex Washer Head #10-24 x 1/2	64	187723	Hi-Pro Key
24	87584X004	Bracket, Deflector	68	- - -	Engine, Briggs & Stratton, Model Number 123K02 (For engine service and replacement parts, call Briggs & Stratton at 1-800-233-3723)
25	151889	Discharge Guard	69	153350X479	Support Bracket, Handle, RH
27	147286	Rod, Hinge	70	153282X479	Support Bracket, Handle, LH
28	154132	Bracket, Housing	71	132004	Locknut, Keys
29	152124	Spring, Torsion	73	700417	Throttle Control
30	751592	Locknut, Hex	74	183365	Screw
31	700168X479	Support Bracket (Left)	75	83816	Screw, Cable Clamp
32	700166X479	Support Bracket (Right)	76	111190X	Clamp, Cable
33	74760612	Bolt, Hex Head 3/8-16 x 3/4	- -	161058	Warning Decal (Not Shown)
35	750085X007	Bracket, Wheel Adjuster	- -	172787	Operator's Manual, English
36	146630	Spacer	- -	172789	Operator's Manual, Spanish
38	700331X004	Spring, Selector	- -	190340	Repair Parts Manual
39	87877	Knob, Selector			
40	180413X004	Axle Arm Assembly			
41	61651	Belleville Washer			
42	142748	Shoulder Bolt			

NOTE: All component dimensions given in U.S. inches.
1 inch = 25.4 mm

ROTARY LAWN MOWER - - MODEL NUMBER SR62522SHA

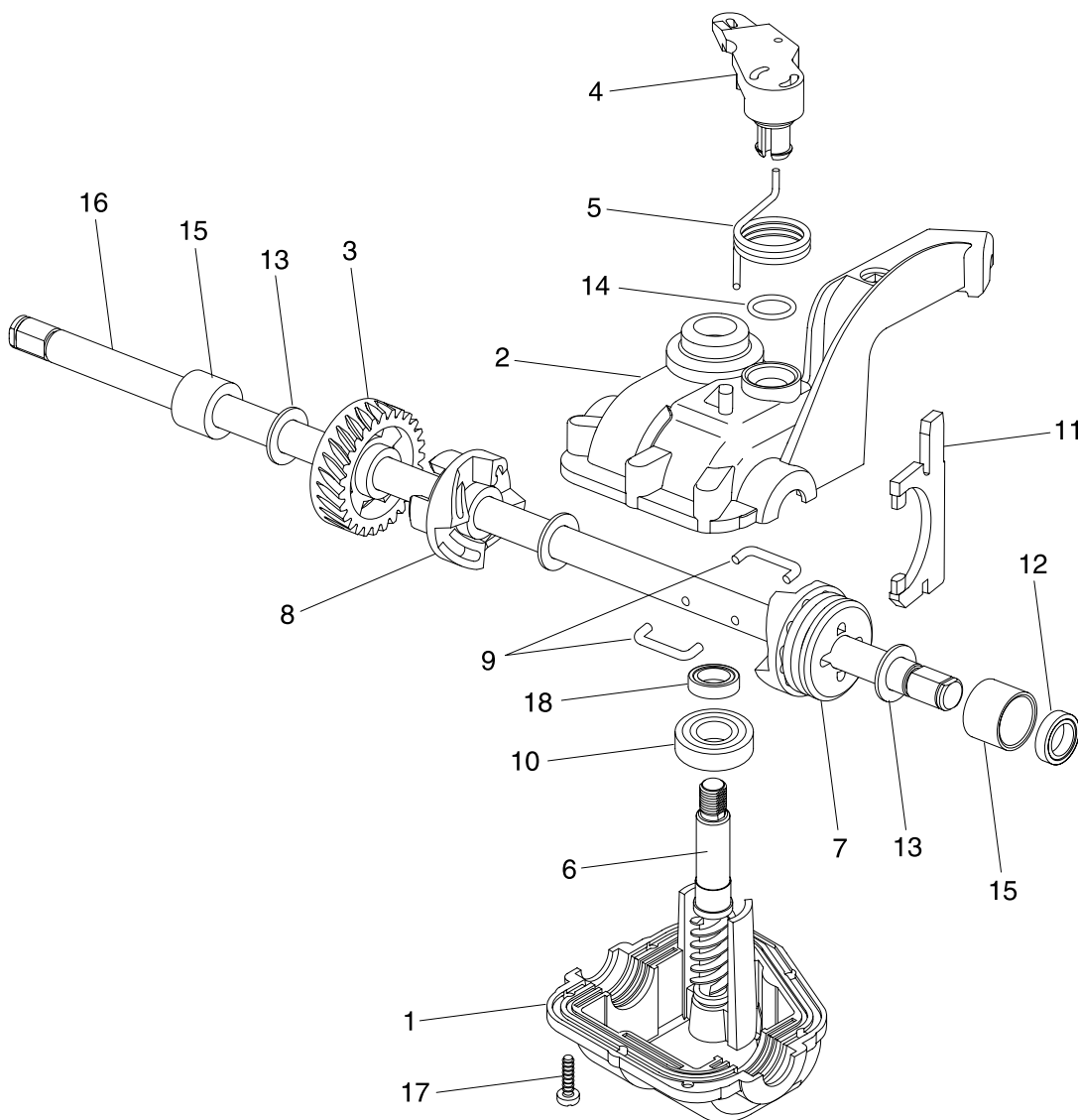


ROTARY LAWN MOWER - - MODEL NUMBER SR62522SHA

KEY NO.	PART NO.	DESCRIPTION	KEY NO.	PART NO.	DESCRIPTION
1	184588	Drive Control Assembly	26	143603	Screw, Tapping, Pan Head #10-24 x 2-3/4
2	88058	Bearing, Wheel Adjuster	28	190705X428	Drive Cover
3	191730	Nut, Hex, Flanged 1/4-20	31	132010	Locknut, Hex
4	158755	Screw, Machine, Pan Head 1/4-20 x 2-3/16	32	189407	Pulley, Drive
5	146527	V-Belt	35	152018	Kit, Wheel Adjuster, LH (Includes Knob and Bearing)
6	150495	Bolt, Hex Head 1/4-20 x 2	36	187211	Gear Case Assembly (See Breakdown)
9	145212	Locknut	37	137090	Spring
11	180776	Wheel & Tire Assembly	38	73800400	Locknut
12	12000058	E-Ring	41	152019	Kit, Wheel Adjuster, RH (Includes Knob and Bearing)
13	137054	Pinion	55	86012	Drive Shaft Cover
14	180504	Dust Cover			
16	67725	Washer			
18	87877	Knob, Selector			

NOTE: All component dimensions given in U.S. inches.
1 inch = 25.4 mm

ROTARY LAWN MOWER - - MODEL NUMBER SR62522SHA GEAR CASE ASSEMBLY - PART NUMBER 187211



KEY NO.	PART NO.	DESCRIPTION
1	183497	Case, Lower
2	183498	Case, Upper
3	183499	Gear, 27 Teeth
4	183500	Lever, Clutch
5	183501	Spring, Return
6	183502	Shaft, Input
7	183503	Dog, Movable
8	183504	Dog, Fixed
9	183505	Wire, Formed
10	183506	Bearing, Ball
11	183507	Fork, Shift
12	183508	Seal, Output Shaft
13	183509	Washer
14	183510	Seal, Case
15	183511	Bushing
16	187521	Shaft, Output
17	183513	Screw
18	183514	Seal, Input Shaft

NOTE: Use Dow Corning #709 to reseal Gear Case Halves.

NOTE: All component dimensions given in U.S. inches.
1 inch = 25.4 mm