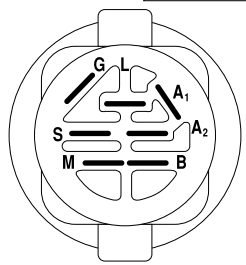
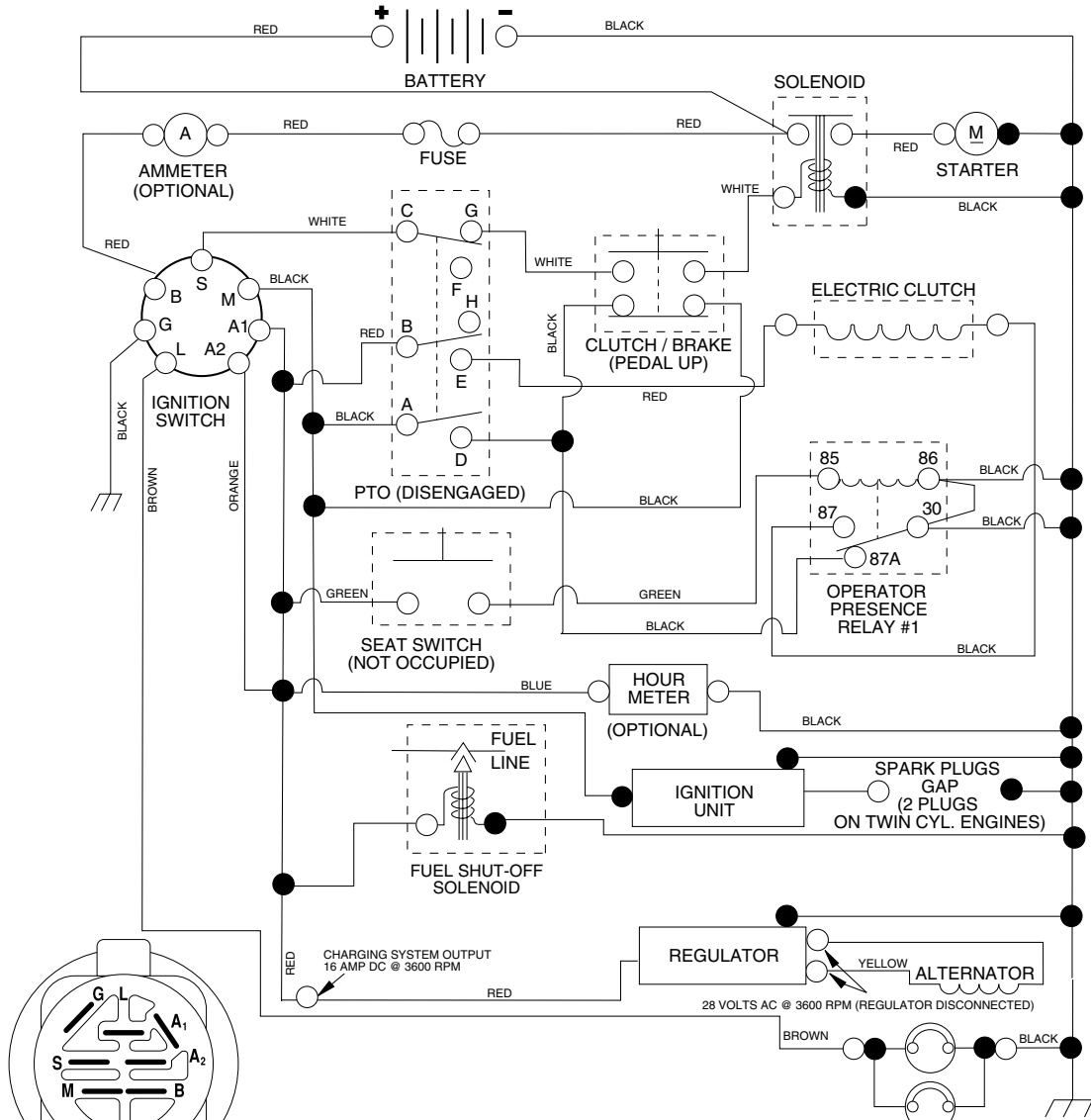


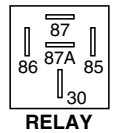
**TRACTOR - MODEL NUMBER SPGT25H48A, PRODUCT NUMBER 954 57 03-90  
SCHEMATIC**



**IGNITION SWITCH**

| POSITION    | CIRCUIT    | "MAKE" |
|-------------|------------|--------|
| OFF         | M + G + A1 | NONE   |
| ON + LIGHTS | B + A1     | L + A2 |
| ON          | B + A1     | NONE   |
| START       | B + S + A1 | NONE   |

**WIRING INSULATED CLIPS**  
NOTE: IF WIRING INSULATED CLIPS WERE REMOVED FOR SERVICING OF UNIT, THEY SHOULD BE REPLACED TO PROPERLY SECURE YOUR WIRING.



**RELAY**

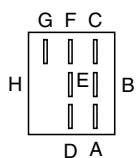
| PTO SWITCH |                     |
|------------|---------------------|
| POSITION   | CIRCUIT             |
| OFF        | C + G, B + H        |
| ON         | C + F, B + E, A + D |



REMOVABLE CONNECTIONS

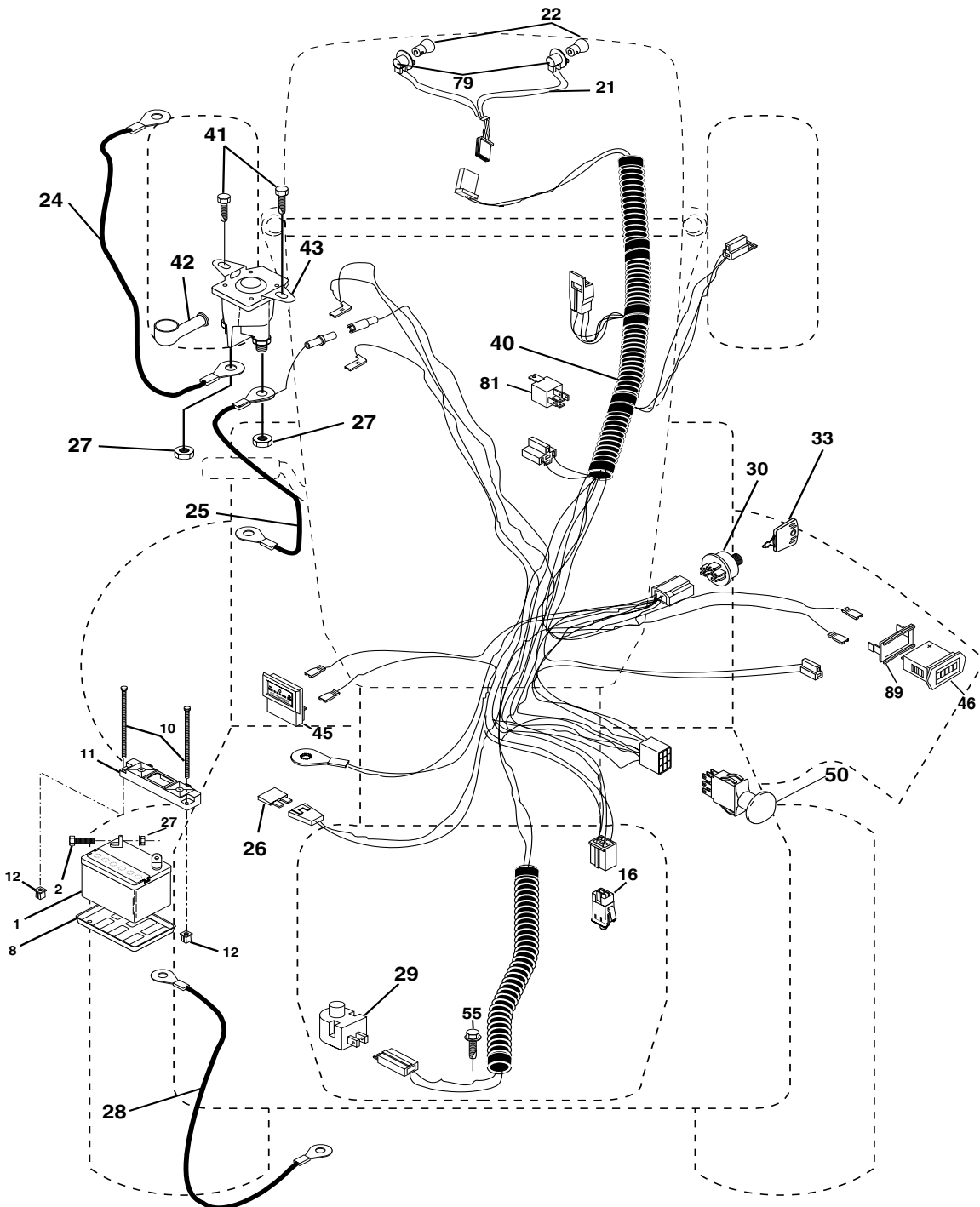


NON-REMOVABLE CONNECTIONS



# REPAIR PARTS

TRACTOR - MODEL NUMBER SPGT25H48A, PRODUCT NUMBER 954 57 03-90  
ELECTRICAL

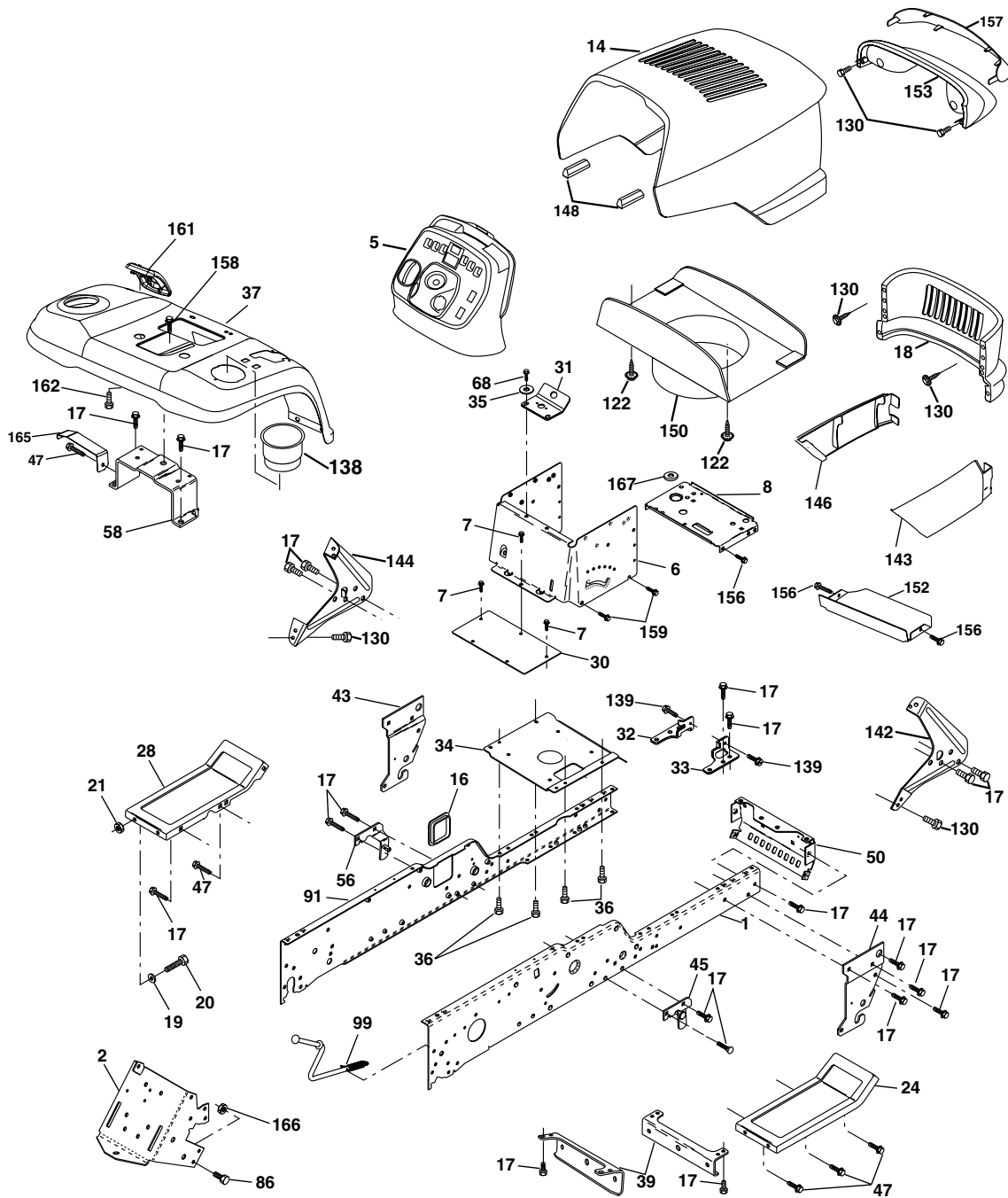


**TRACTOR - MODEL NUMBER SPGT25H48A, PRODUCT NUMBER 954 57 03-90  
ELECTRICAL**

| <b>KEY NO.</b> | <b>PART NO.</b> | <b>DESCRIPTION</b>             |
|----------------|-----------------|--------------------------------|
| 1              | 144927          | Battery                        |
| 2              | 74760412        | Bolt Hex Head 1/4-20 x 3/4     |
| 8              | 7603J           | Tray, Battery                  |
| 10             | 145211          | Bolt Btr Frt 1/4-20 x 7.5 zinc |
| 11             | 150109          | Holdown Battery Front Mount    |
| 12             | 145769          | Nut Push Nylon 1/4"            |
| 16             | 176138          | Switch Interlock Push-In       |
| 21             | 175688          | Harness Headlight w/Bulbs      |
| 22             | 4152J           | Bulb Light                     |
| 24             | 185464          | Cable, Battery                 |
| 25             | 146149          | Cable, Battery                 |
| 26             | 108824X         | Fuse                           |
| 27             | 73510400        | Nut Keps Hex 1/4-20 unc        |
| 28             | 170697          | Cable, Ground                  |
| 29             | 160784          | Switch, Plunger                |
| 30             | 175566          | Switch, Ign                    |
| 33             | 140401          | Key                            |
| 40             | 170238          | Harness, Ignition              |
| 41             | 17720408        | Screw 1/4-20 x 1/2             |
| 42             | 131563          | Cover, Terminal Red            |
| 43             | 178861          | Solenoid                       |
| 45             | 122822X         | Ammeter                        |
| 46             | 169635          | Hourmeter Snap-In              |
| 50             | 174651          | Switch, PTO                    |
| 79             | 175242          | Socket, Light Bulb             |
| 81             | 109748X         | Relay Asm.                     |
| 89             | 169639          | Bracket Snap-In                |

**NOTE:** All component dimensions given in U.S. inches.  
1 inch = 25.4 mm.

**TRACTOR - MODEL NUMBER SPGT25H48A, PRODUCT NUMBER 954 57 03-90  
CHASSIS AND ENCLOSURES**



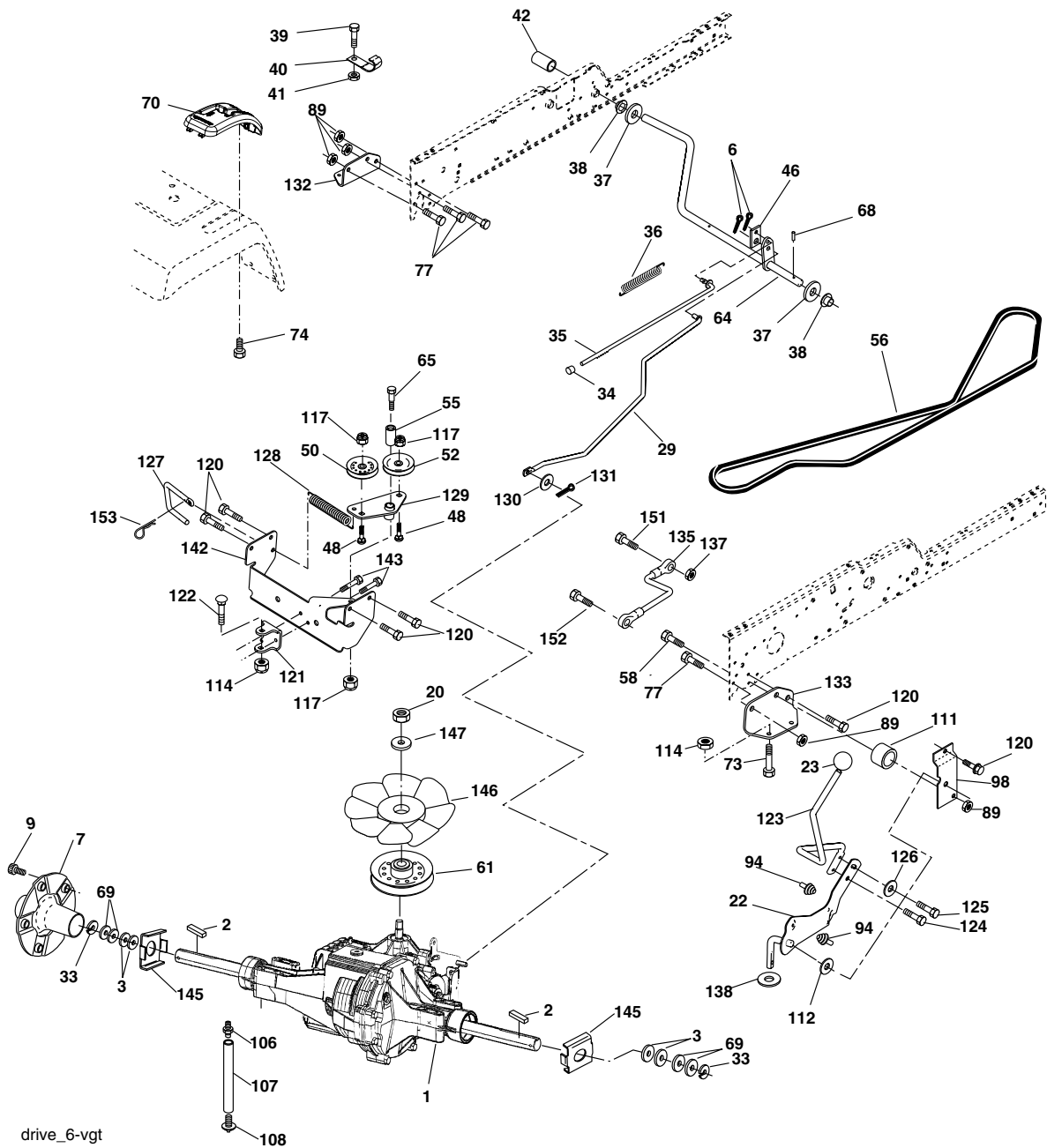
chassis-stealth\_42

**TRACTOR - MODEL NUMBER SPGT25H48A, PRODUCT NUMBER 954 57 03-90  
CHASSIS AND ENCLOSURES**

| <b>KEY PART<br/>NO. NO.</b> | <b>DESCRIPTION</b>                       | <b>KEY PART<br/>NO. NO.</b> | <b>DESCRIPTION</b>                     |
|-----------------------------|--|-----------------------------|--|
| 1                           | 180375 Rail, Frame RH                    | 68                          | 17490508 Screw, Thd 5/16-18 x 1/2      |
| 2                           | 175282 Drawbar, Gt                       | 86                          | 74780716 Bolt, Fin Hex 7/16-14 unc x 1 |
| 5                           | 163976X428 Dash                          | 91                          | 180374 Rail, Frame Lh                  |
| 6                           | 157882 Dash Asm., Lower                  | 99                          | 177143 Rod By Pass                     |
| 7                           | 17720408 Screw, Thd Cut 1/4-20 x 1/2     | 122                         | 161464 Screw Hex Wshd 8-18 x 7/8       |
| 8                           | 184668 Support, Battery                  | 130                         | 171875 Screw HWHD Hi-Lo #13-16 x 3/4   |
| 14                          | 175259X417 Hood Asm., Pnt                | 138                         | 179125X428 Cupholder YTGT              |
| 16                          | 121794X Cover, Access                    | 139                         | 171873 Bolt Shoulder 5/16-18 TT        |
| 17                          | 17060612 Screw, 3/8-16 x 3/4             | 140                         | 163806 Magnet YTGT                     |
| 18                          | 175289X428 Grille                        | 141                         | 163805 Stricker Plate YTGT             |
| 19                          | 19131312 Washer 13/32 x 13/16 x 12 Ga.   | 142                         | 161897 Bracket Dash RH                 |
| 20                          | 74780616 Bolt, Fin Hex 3/8-16 x 1        | 143                         | 169847X428 Skirt Grill RH              |
| 21                          | 73800600 Nut, Lock Hex w/Ins. 3/8-16 unc | 144                         | 161900 Bracket Dash LH                 |
| 24                          | 179717X417 Footrest, RH                  | 146                         | 169848X428 Skirt Grill LH              |
| 28                          | 179716X417 Footrest, LH                  | 148                         | 164655 Extrusion Bumper                |
| 30                          | 145052 Saddle, Hydro 1995                | 150                         | 161237 Duct Heat Hood                  |
| 31                          | 161419 Bracket, Supt 1-pc VGT Steering   | 152                         | 177956 Shield Browning                 |
| 32                          | 161327 Bracket, Pivot Chassis LH         | 153                         | 179761 Light Box Asm. w/Lens           |
| 33                          | 161326 Bracket, Pivot Chassis RH         | 156                         | 17000512 Screw 5/16-18 x 3/4           |
| 34                          | 177018 Plate Asm. Engine Chassis         | 157                         | 161840 Lens, Bar                       |
| 35                          | 19111116 Washer 11/32 x 11/16 x 16 Ga.   | 158                         | 17670608 Screw Thdrol 3/8-16 x 1/2     |
| 36                          | 17060512 Screw 5/16-18 x 3/4             | 159                         | 17000612 Screw 3/8-16 x 3/4            |
| 37                          | 178510X417 Fender, Pnt.                  | 161                         | 179612X428 Console Fuel Window         |
| 39                          | 175278 Bracket, Axle Front               | 162                         | 142432 Screw 1/4-1/2                   |
| 43                          | 136939 Bracket, Spnsn Front Lh           | 165                         | 183554 Bracket Support Tank            |
| 44                          | 136940 Bracket, Spnsn Front Rh           | 166                         | 73680700 Nut, Crownlock 7/16-14 unc    |
| 45                          | 176018 Bracket Asm., Susp Chassis Rh     | 167                         | 184672 Bushing Snap                    |
| 47                          | 17490608 Screw Thdrol 3/8-16 x 1/2 TYT   |                             |  |
| 50                          | 175476 Bracket, Chassis Front            |                             |  |
| 56                          | 176016 Bracket Asm., Susp Chassis Lh     |                             |  |
| 58                          | 183569 Bracket Asm., Fender              |                             |  |

**NOTE:** All component dimensions given in U.S. inches  
1 inch = 25.4 mm

**TRACTOR - MODEL NUMBER SPGT25H48A, PRODUCT NUMBER 954 57 03-90  
DRIVE**

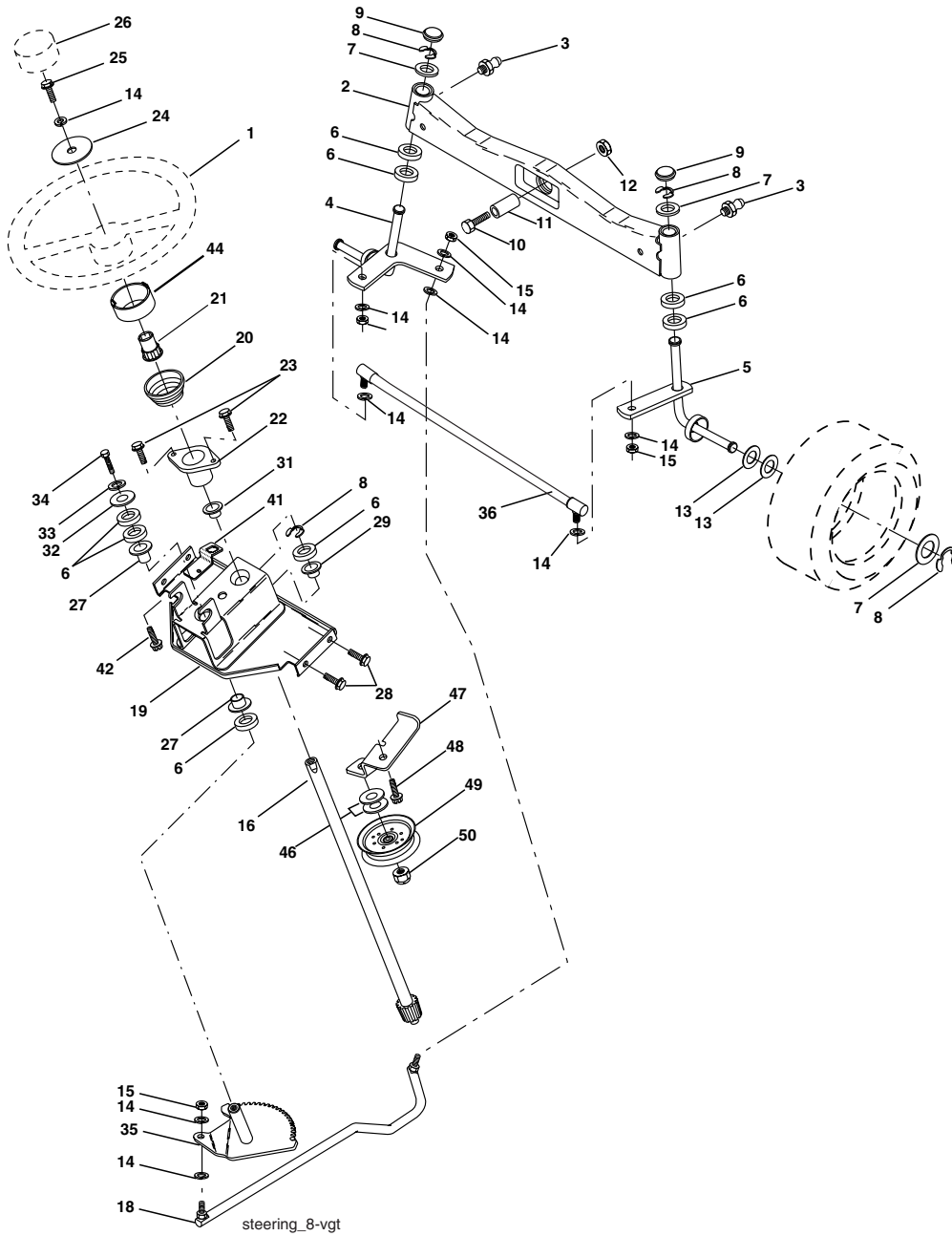


**TRACTOR - MODEL NUMBER SPGT25H48A, PRODUCT NUMBER 954 57 03-90  
DRIVE**

| <b>KEY PART NO.</b> | <b>PART NO.</b> | <b>DESCRIPTION</b>  | <b>KEY PART NO.</b> | <b>PART NO.</b> | <b>DESCRIPTION</b>                   |
|---------------------|-----------------|---|---------------------|-----------------|--------------------------------------|
| 1                   | -----           | Transaxle Hydro Gear<br>331-3000 (Order Parts From<br>Transaxle Manufacturer) | 89                  | 73680700        | Nut Crownlock 7/16-14 Unc            |
| 2                   | 7070E           | Key Sq. 1/4 x 2.5   | 94                  | 133835          | Fastener Christmas Tree              |
| 3                   | 7563R           | Washer Thrust   | 98                  | 141004          | Bracket Shift                        |
| 6                   | 76020412        | Pin, Cotter   | 106                 | 142918          | O-Ring Asm Hydro Gear                |
| 7                   | 140507          | Wheel, Hub Assembly   | 107                 | 154739          | Line Fuel Hydro 15" VGT              |
| 9                   | 140080          | Bolt, Hub   | 108                 | 142917          | Cap Asm Vent Hydro Gear              |
| 20                  | 73940800        | Nut   | 111                 | 156240          | Spacer Shift Lever VGTH              |
| 22                  | 180235          | Lever Asm Shift   | 112                 | 178558          | Washer Nylon High Temp               |
| 23                  | 140845          | Knob  | 114                 | 73800500        | Nut Lock Hex W/Ins 5/16-18 Unc       |
| 29                  | 176600          | Brake, Rod  | 117                 | 73900600        | Nut, Lock Flg. 3/8-16                |
| 33                  | 12000053        | Ring E  | 120                 | 17060612        | Screw 3/8-16 x .75                   |
| 34                  | 71673           | Cap, Parking Brake  | 121                 | 175611          | Bracket Strap Torque                 |
| 35                  | 137648          | Rod, Parking Brake  | 122                 | 72010520        | Bolt 5/16-18 x 2.50                  |
| 36                  | 149412          | Spring, Drive Ground  | 123                 | 183254          | Rod Shift                            |
| 37                  | 121749X         | Washer 25/32 x 1-1/4 x 16 Ga.   | 124                 | 165492          | Bolt Shoulder 5/16-18 x .561         |
| 38                  | 150035          | Nyliner   | 125                 | 166880          | Screw 5/16-18 x 5/8                  |
| 39                  | 74321016        | Screw, Fin. #10-24 x 1  | 126                 | 166002          | Washer SRRTD 5/16 ID x 1.0 x<br>.125 |
| 40                  | 178575          | Actuator, Interlock Switch  | 127                 | 177362          | Link Control Clutch                  |
| 41                  | 73931000        | Nut Centerlock 10-24 unc  | 128                 | 176624          | Spring Drive GRND                    |
| 42                  | 8883R           | Cover, Pedal  | 129                 | 179473          | Bracket Asm Idler Tensioning         |
| 46                  | 145170          | Retainer, Spring  | 130                 | 19131016        | Washer 13/32 x 5/8 x 16 Ga.          |
| 48                  | 72110614        | Bolt Carr. Shoulder 3/8-16 x 1-3/4<br>Gr. 5                                   | 131                 | 76020312        | Pin Cotter 3/32 x 3/4                |
| 50                  | 131494          | Pulley, Idler, Flat   | 132                 | 175467          | Bracket Mtg Hydro 3500 LH VGT        |
| 52                  | 127783          | Pulley, Idler, Grooved  | 133                 | 175468          | Bracket Mtg Hydro 3500 RH VGT        |
| 55                  | 105706X         | Bearing, Idler  | 135                 | 177364          | Link Asm Control Hydro 3500          |
| 56                  | 161597          | V-Belt  | 137                 | 1685H           | Nut Lock 5/16-18 NC Thd.             |
| 58                  | 74760724        | Bolt Fin Hex 7/16-14 x 1-1/2  | 138                 | 1370H           | Washer Thrust 5/8 x 1.10 x 1/32      |
| 61                  | 143995          | Pulley, Transaxle   | 142                 | 175469          | Strap Torque HG-3500                 |
| 64                  | 176601          | Shaft, Brake Pedal  | 143                 | 17060512        | Screw 5/16-18 x 3/4                  |
| 65                  | 179613          | Bolt, Shoulder  | 145                 | 163168          | Washer Axle Flange HG-3000           |
| 68                  | 5142H           | Pin, Roll   | 146                 | 140462          | Fan 7" Hydro                         |
| 69                  | 123800X         | Washer  | 147                 | 141322          | Washer                               |
| 70                  | 179121X428      | Console Shift   | 148                 | 74780720        | Bolt Hex 7/16-14 x 1-1/4 Gr. 5       |
| 73                  | 74490548        | Bolt Hex Flghd 5/16-18 x 3 Gr. 5  | 151                 | 74760514        | Bolt Fin Hex 5/16-18 x 7/8           |
| 74                  | 142432          | Screw Hex Wsh. Hi-Lo 1/4-1/2  | 152                 | 178705          | Bolt Hex 5/16-18 x 1                 |
| 77                  | 74780716        | Bolt Fin Hex 7/16-14 x 1  | 153                 | 4497H           | Spring Retainer                      |

**NOTE:** All component dimensions give in U.S. inches.  
1 inch = 25.4 mm

**TRACTOR - MODEL NUMBER SPGT25H48A, PRODUCT NUMBER 954 57 03-90**  
**STEERING ASSEMBLY**



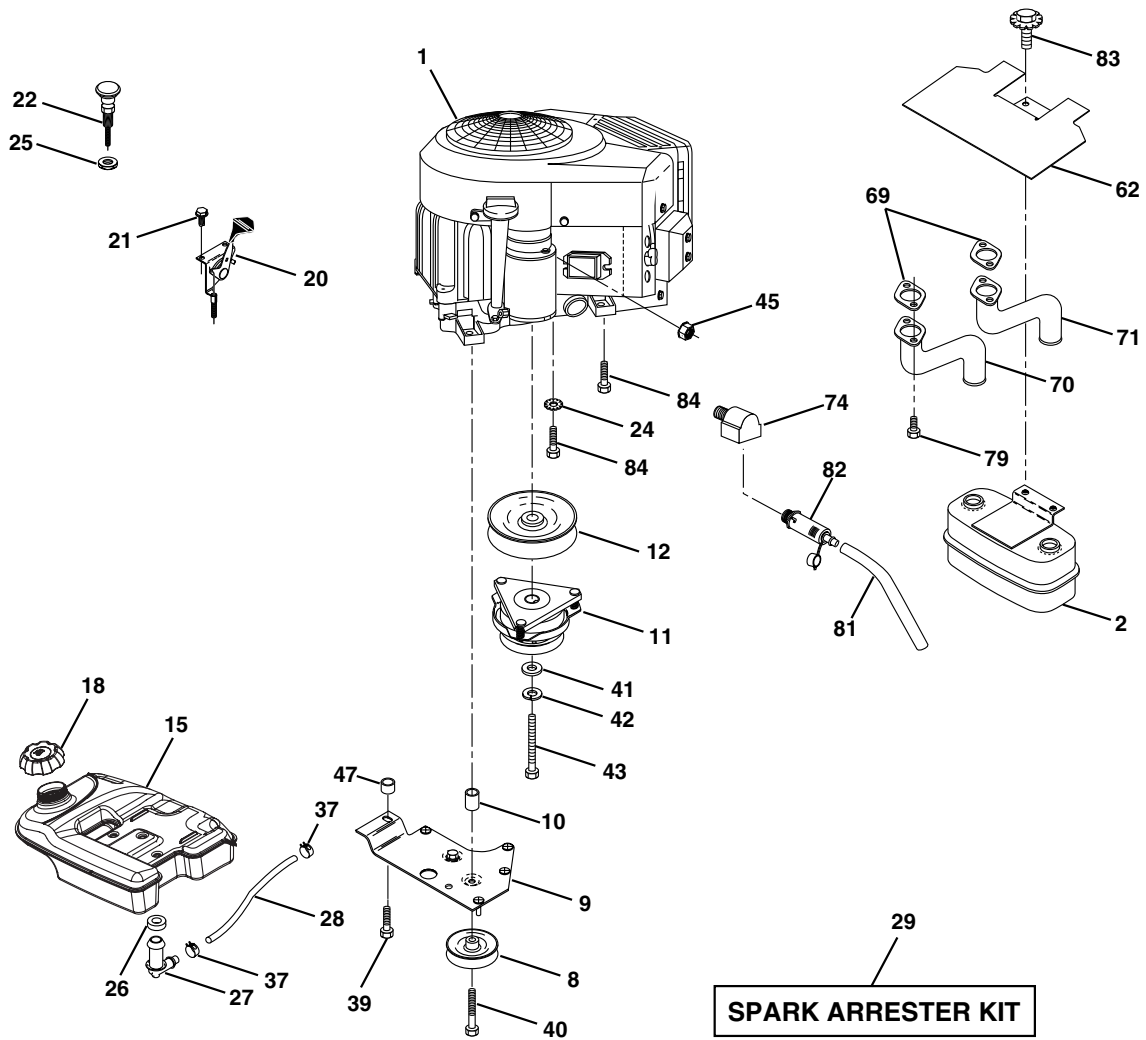


**TRACTOR - MODEL NUMBER SPGT25H48A, PRODUCT NUMBER 954 57 03-90  
STEERING ASSEMBLY**

| <b>KEY NO.</b> | <b>PART NO.</b> | <b>DESCRIPTION</b>              |
|----------------|-----------------|---------------------------------|
| 1              | 184704X428      | Wheel, Steering                 |
| 2              | 178557          | Axle Asm., Front                |
| 3              | 6855M           | Fitting, Grease                 |
| 4              | 161849          | Spindle Asm, LH                 |
| 5              | 161848          | Spindle Asm., RH                |
| 6              | 6266H           | Bearing, Race Thrust Harden     |
| 7              | 121748X         | Washer 25/32 x 1-5/8 x 16 Ga.   |
| 8              | 12000029        | Ring, Klip #T5304-75            |
| 9              | 121232X         | Cap, Spindle                    |
| 10             | 74781044        | Bolt, Fin Hex 5/8-11 x 2-3/4    |
| 11             | 136518          | Spacer, Brg. Axle Front         |
| 12             | 73901000        | Nut, Lock Flange 5/8-11 unc     |
| 13             | 121749X         | Washer 25/32 x 1-1/4 x 16 Ga.   |
| 14             | 10040600        | Washer, Lock Hvy Hlcl Spr 3/8   |
| 15             | 7810H           | Nut Lock Center 3/8-24 unf      |
| 16             | 145103          | Shaft Asm., Steering            |
| 18             | 175572          | Draglink, Ball Joint Solid Vgt  |
| 19             | 156011          | Support Asm., Steering Vgt      |
| 20             | 163887X428      | Boot Steering Stealth           |
| 21             | 159945          | Adapter, Wheel Steering         |
| 22             | 155105          | Bushing, Strg.                  |
| 23             | 152927          | Screw                           |
| 25             | 74780616        | Bolt, Fin Hex 3/8-16 x 1 Gr. 5  |
| 26             | 159946X428      | Insert Cap Strg WH              |
| 27             | 3366R           | Bearing, Col. Strg.             |
| 28             | 17000612        | Screw Hexwsh thdr 3/8-16 x 3/4  |
| 29             | 104239X         | Bearing, Flange                 |
| 31             | 138136          | Bushing, Nyliner Snap           |
| 32             | 19111610        | Washer 11/32 x 1 x 10 Ga.       |
| 33             | 10040500        | Washer, Lock Hvy Hlcl Spr 5/16  |
| 34             | 74780512        | Bolt, Hex Hd 5/16-18 x 3/4      |
| 35             | 138059          | Gear, Sector Steering           |
| 36             | 186799          | Tie Rod                         |
| 41             | 155246          | Bracket Switch Interlock Vgt 97 |
| 42             | 17490508        | Screw Thdrol 5/16-18 x 1/2 Tyt  |
| 44             | 160135X428      | Extension Steering              |
| 45             | 19132411        | Washer 13/32 x 1-1/2 x 11Ga.    |
| 46             | 19131610        | Washer 13/32 x 1 x 10 Ga.       |
| 47             | 179471          | Bracket Asm. Idler Stationary   |
| 48             | 17060612        | Screw 3/8-16 x .75              |
| 49             | 175820          | Pulley Idler Flat               |
| 50             | 73900600        | Nut Lock Flg. 3/8-16 unc        |

**NOTE:** All component dimensions given in U.S. inches.  
1 inch = 25.4 mm.

**TRACTOR - MODEL NUMBER SPGT25H48A, PRODUCT NUMBER 954 57 03-90**  
**ENGINE**



**TRACTOR - MODEL NUMBER SPGT25H48A, PRODUCT NUMBER 954 57 03-90  
ENGINE**

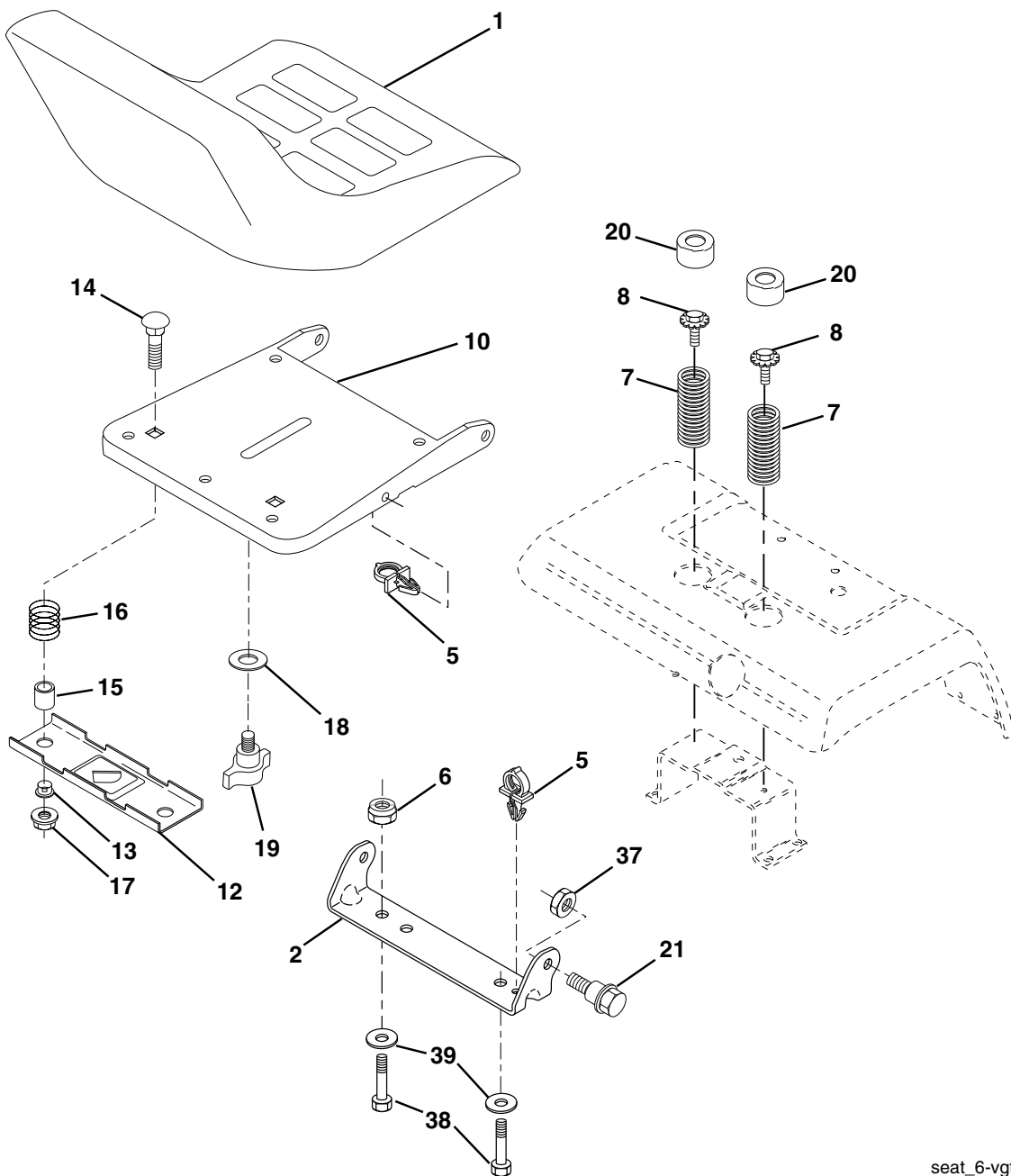
| <b>KEY PART<br/>NO.</b> | <b>PART<br/>NO.</b> | <b>DESCRIPTION</b>  |
|-------------------------|---------------------|---|
| 1                       | -----               | Engine Briggs, Model No. 446777<br>(Order parts from engine manuf.) |
| 2                       | 149723              | Muffler Side  |
| 8                       | 121361X             | Pulley V-Idler  |
| 9                       | 177748              | Keeper Asm. Belt Engine VGT   |
| 10                      | 175287              | Bushing   |
| 11                      | 179335              | Clutch Electric   |
| 12                      | 143996              | Pulley Engine VGT Elect Clutch                                      |
| 15                      | 179115              | Tank Fuel Rear 5.0  |
| 18                      | 179124X428          | Cap Asm. Fuel   |
| 20                      | 175437X428          | Control Throttle  |
| 21                      | 171875              | Screw HwHd Hi-Lo #13-16 x 3/4                                       |
| 22                      | 175440X428          | Control Choke   |
| 24                      | 11050600            | Washer Ext Tooth 3/8  |
| 25                      | 73920600            | Nut Keps 3/8-24 unf   |
| 26                      | 3645J               | Bushing   |
| 27                      | 139277              | Stem Tank Fuel  |
| 28                      | 7834R               | Fuel Line   |
| 29                      | 137180              | Spark Arrester Kit  |
| 31                      | 145006              | Clip  |
| 37                      | 123487X             | Clamp Hose  |
| 39                      | 17490636            | Screw TT 3/8-16 x 2-1/4 unc   |
| 40                      | 17490664            | Screw TT 3/8-16 x 4 unc   |
| 41                      | 126197X             | Washer 1-1/2 OD x 15/32 ID x .250                                   |
| 42                      | 10040700            | Washer Lock 7/16  |
| 43                      | 179953              | Bolt Hex 7/16-20 x 3.75 Gr. 5                                       |
| 45                      | 73510400            | Nut Keps Hex 1/4-20   |
| 47                      | 175288              | Spacer  |
| 62                      | 146629              | Shield Heat Muffler CV-Intek  |
| 69                      | 165391              | Gasket  |
| 70                      | 176069              | Tube Exhaust LH   |
| 71                      | 176070              | Tube Exhaust RH   |
| 74                      | 162295              | Elbow Street Brass  |
| 79                      | 183906              | Screw Socket Head 5/16-18 x 1                                       |
| 81                      | 148456              | Tube Drain Oil Easy   |
| 82                      | 181654              | Plug Oil Drain Easy   |
| 83                      | 171877              | Bolt 5/16-18 Unc x 1-3/4 W/Sems                                     |
| 84                      | 17060624            | Screw Thdrol 3/8-16 x 1-1/2   |

**NOTE:** All component dimensions given in U.S. inches  
1 inch = 25.4 mm

For engine service and replacement parts, call the toll free number for your engine manufacturer listed below:

|                   |                |
|-------------------|----------------|
| Briggs & Stratton | 1-800-233-3723 |
| Kohler Co.        | 1-800-544-2444 |
| Tecumseh Products | 1-800-558-5402 |
| Honda Engines     | 1-800-426-7701 |
| Kawasaki          | 1-949-460-5688 |

**TRACTOR - MODEL NUMBER SPGT25H48A, PRODUCT NUMBER 954 57 03-90  
SEAT**



seat\_6-vgt

**KEY PART  
NO. NO.**

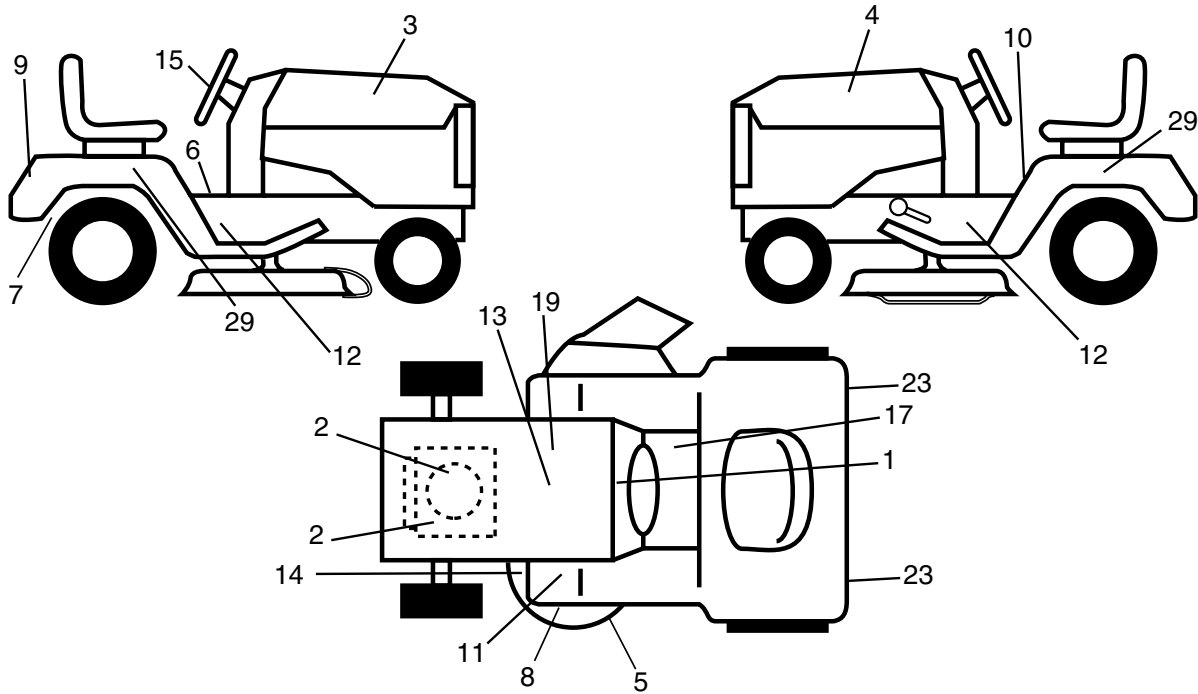
| KEY PART NO. | NO.      | DESCRIPTION                   |
|--------------|----------|-------------------------------|
| 1            | 140118   | Seat                          |
| 2            | 140551   | Bracket, Pivot Seat           |
| 4            | 127018X  | Bolt, Shoulder 5/16-18 x .62  |
| 5            | 145006   | Clip, Push-In Hinged          |
| 6            | 73800600 | Nut, Crownlock 3/8-16         |
| 7            | 124181X  | Spring, Seat Cprsn.           |
| 8            | 171877   | Bolt 5/16-18 unc x 3/4 w/Sems |
| 10           | 182493   | Pan, Seat                     |
| 12           | 121246X  | Bracket, Mounting Switch      |
| 13           | 121248X  | Bushing, Snap                 |
| 14           | 72050412 | Bolt, Carriage 1/4-20 x 1-1/2 |
| 15           | 121249X  | Spacer, Split                 |

**KEY PART  
NO. NO.**

| KEY PART NO. | NO.      | DESCRIPTION                    |
|--------------|----------|--------------------------------|
| 16           | 123740X  | Spring, Cprsn.                 |
| 17           | 123976X  | Nut, Lock 1/4 Lg. Fig. Gr. 5   |
| 18           | 19171912 | Washer 17/32 x 1-3/16 x 12 Ga. |
| 19           | 166369   | Knob, Seat                     |
| 20           | 124238X  | Cap, Spring Seat Blk           |
| 21           | 171852   | Bolt 5/16-18 unc-2A            |
| 22           | 73800500 | Nut, Crownlock 5/16-18         |
| 38           | 19131610 | Washer Flat 13/32 x 1 x 10 Ga. |
| 39           | 71110616 | Bolt 3/8-16 x 1                |

**NOTE:** All component dimensions given in U.S. inches  
1 inch = 25.4 mm

**TRACTOR - MODEL NUMBER SPGT25H48A, PRODUCT NUMBER 954 57 03-90  
DECALS**



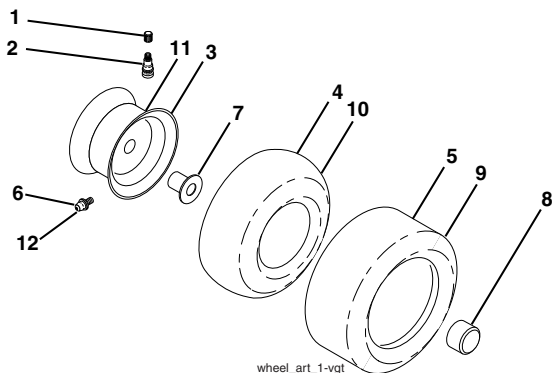
**KEY PART  
NO. NO.**

| KEY PART NO. | NO.    | DESCRIPTION             |
|--------------|--------|-------------------------|
| 1            | 185918 | Decal, Dash             |
| 2            | 180439 | Decal, Engine           |
| 3            | 186192 | Decal, Hood, RH         |
| 4            | 186194 | Decal, Hood, LH         |
| 5            | 175291 | Decal, V-Belt Schematic |
| 6            | 140837 | Decal, Brake Parking    |
| 7            | 166960 | Decal, Bypass           |
| 8            | 178455 | Decal, Deck Caution     |
| 9            | 186198 | Decal                   |
| 10           | 156439 | Decal, Danger           |
| 11           | 181249 | Decal, Footrest         |
| 12           | 186201 | Decal, Chassis          |
| 13           | 185443 | Decal, Battery          |
| 14           | 175291 | Decal, V-Belt Schematic |
| 15           | 186196 | Decal, Ins. Whl. Strg.  |

**KEY PART  
NO. NO.**

| KEY PART NO. | NO.        | DESCRIPTION                 |
|--------------|------------|-----------------------------|
| 17           | 140837     | Decal, Saddle Brake Parking |
| 19           | 145005     | Decal, Battery              |
| 23           | 106202X    | Reflector, Taillight        |
| 29           | 186238     | Decal, Fender Auto Trans    |
| --           | 186203     | Decal, Hood RH Agway        |
| --           | 186204     | Decal, Hood LH Agway        |
| --           | 186209     | Decal, Fender Agway         |
| --           | 186207     | Decal, Chassis Agway        |
| --           | 186210     | Decal, Steering Agway       |
| --           | 179769X428 | Pad, Footrest RH            |
| --           | 179768X428 | Pad, Footrest LH            |
| --           | 185478     | Manual, Owner's (English)   |
| --           | 185479     | Manual, Owner's (Spanish)   |

**WHEELS & TIRES**

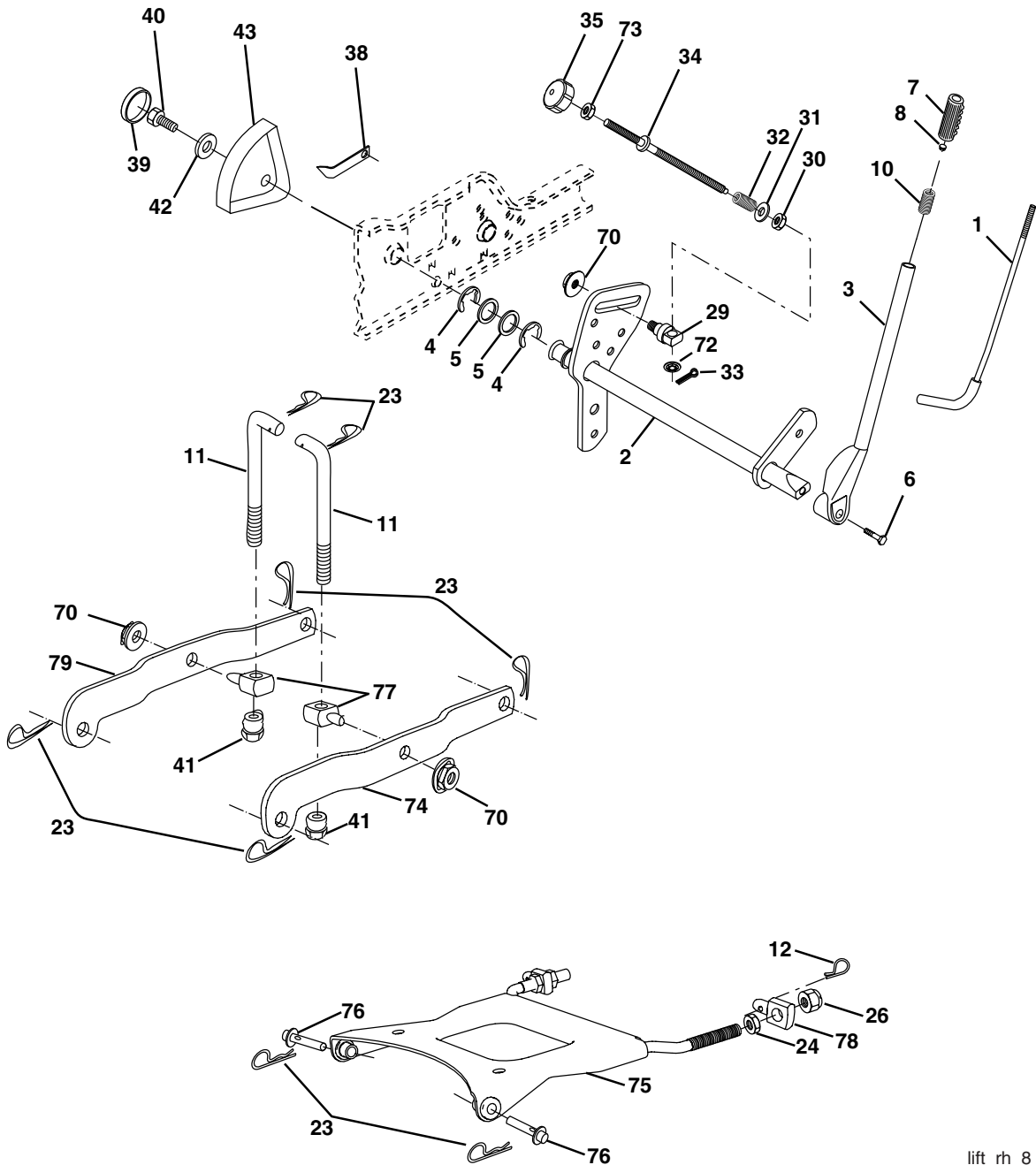


**KEY PART  
NO. NO.**

| KEY PART NO. | NO.        | DESCRIPTION                        |
|--------------|------------|------------------------------------|
| 1            | 59192      | Cap, Valve, Tire                   |
| 2            | 65139      | Stem, Valve                        |
| 3            | 106228X624 | Rim Assembly, Front                |
| 4            | 8134H      | Tube, Front (Service Item Only)    |
| 5            | 106230X    | Tire, Front                        |
| 6            | 278H       | Fitting, Grease (Front Wheel Only) |
| 7            | 9040H      | Bearing, Flange (Front Wheel Only) |
| 8            | 104757X428 | Cap, Axle (Front Wheel Only)       |
| 9            | 105588X    | Tire, Rear                         |
| 10           | 7154J      | Tube, Rear (Service Item Only)     |
| 11           | 106277X624 | Rim Assembly, Rear                 |
| 12           | 6856M      | Fitting, Grease                    |
| --           | 144334     | Sealant, Tire (10 oz. Tube)        |

**NOTE:** All component dimensions given in U.S. inches  
1 inch = 25.4 mm

**TRACTOR - MODEL NUMBER SPGT25H48A, PRODUCT NUMBER 954 57 03-90  
MOWER LIFT**



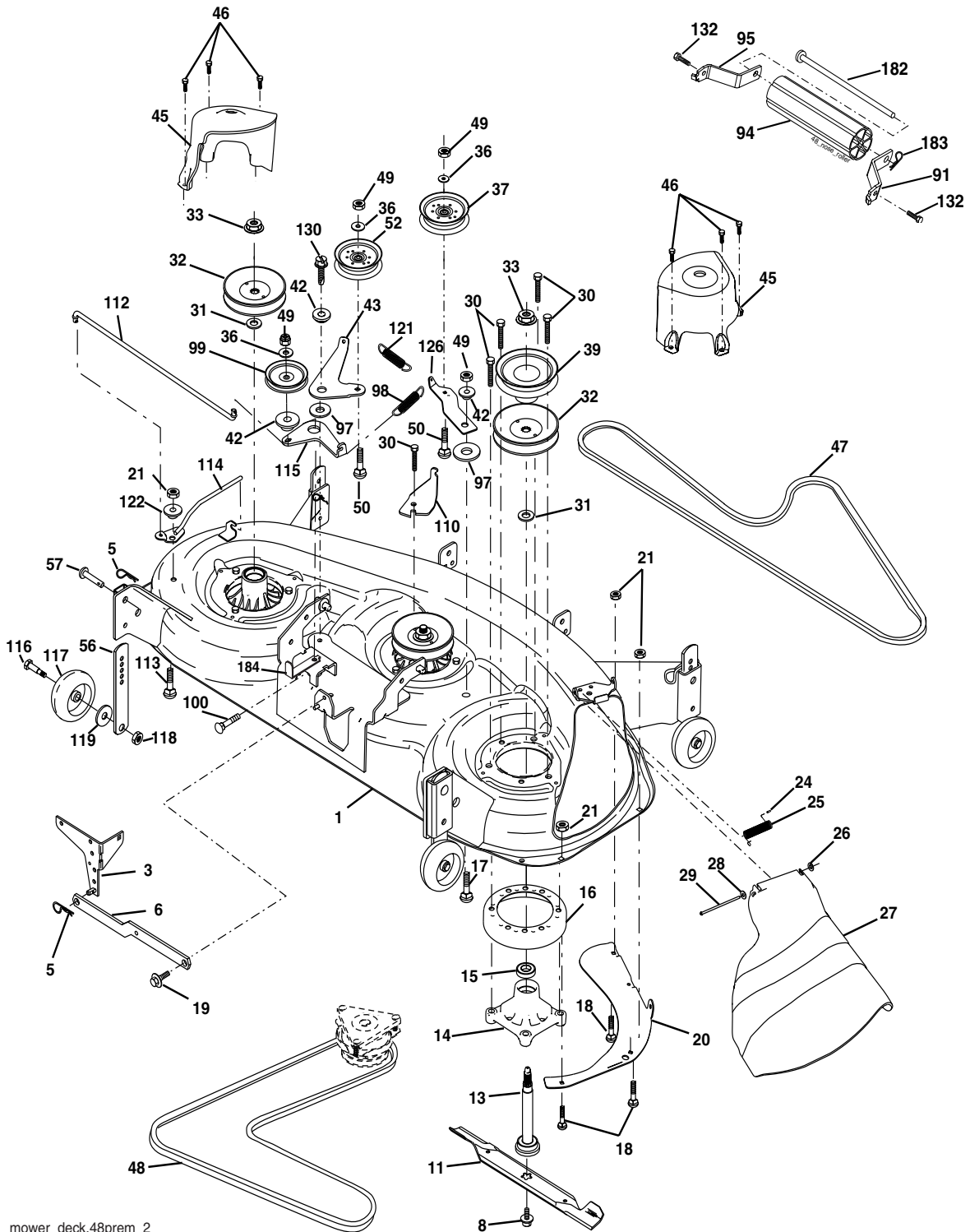
lift\_rh\_8

**TRACTOR - MODEL NUMBER SPGT25H48A, PRODUCT NUMBER 954 57 03-90  
MOWER LIFT**

| KEY<br>NO. | PART<br>NO. | DESCRIPTION                   |
|------------|-------------|-------------------------------|
| 1          | 121006X     | Rod Asm., Lever               |
| 2          | 180045      | Shaft Asm., Lift Vgt          |
| 3          | 159189      | Lever Asm., Lift Rh           |
| 4          | 12000022    | E-Ring Truarc #5133-87        |
| 5          | 19292016    | Washer 29/32 x 1-1/4 x 16 Ga. |
| 6          | 71110624    | Bolt, Fin Hex 3/8-16 x 1-1/2  |
| 7          | 125631X     | Grip, Handle                  |
| 8          | 124526X     | Button, Plunger               |
| 9          | 122364X     | Plunger, Lever Lift           |
| 10         | 183894      | Spring 0.62 OD x 2.125        |
| 11         | 175375      | Link Lift                     |
| 12         | 163552      | Retainer, Spring              |
| 23         | 4939M       | Retainer, Spring              |
| 24         | 73350800    | Nut, Jam Hex 1/2-13 unc       |
| 26         | 73680800    | Nut, Crownlock 1/2-13 unc     |
| 29         | 150233      | Trunnion Inf. Height          |
| 30         | 110807X     | Nut, Special                  |
| 31         | 19131016    | Washer 13/32 x 5/8 x 16 Ga.   |
| 32         | 137150      | Spring, Compression Inf Hgt   |
| 33         | 76020308    | Pin, Cotter 3/32 x 1/2        |
| 34         | 137167      | Rod, Adj Lift                 |
| 35         | 138057      | Knob, Inf 3/8-16 unc          |
| 38         | 155097      | Pointer, Height Indicator     |
| 39         | 123935X     | Plug, Hole                    |
| 40         | 17060516    | Screw 5/16-18 x 3/4           |
| 41         | 175994      | Nut, Lift Link 7/16-20        |
| 42         | 19112410    | Washer 11/32 x 1-1/2 x 10 Ga. |
| 43         | 123934X     | Scale, Indicator Height       |
| 70         | 145212      | Nut, Hexflange Lock           |
| 72         | 110452X     | Nut, Push Phos & Oil          |
| 73         | 73350600    | Nut Hex Jam 3/8-16 unc        |
| 74         | 175802      | Arm Susp. Rear RH             |
| 75         | 175805      | Plate Asm Susp. Front         |
| 76         | 175560      | Pin Flange                    |
| 77         | 176205      | Trunnion Susp. Arm            |
| 78         | 175689      | Trunnion Susp. Front          |
| 79         | 175378      | Arm Susp. Rear LH             |

**NOTE:** All component dimensions given in U.S. inches  
1 inch = 25.4 mm

**TRACTOR - MODEL NUMBER SPGT25H48A, PRODUCT NUMBER 954 57 03-90  
MOWER DECK**



mower\_deck.48prem\_2



**TRACTOR - MODEL NUMBER SPGT25H48A, PRODUCT NUMBER 954 57 03-90  
MOWER DECK**

| KEY NO. | PART NO.   | DESCRIPTION                          | KEY NO. | PART NO. | DESCRIPTION  |
|---------|------------|--------------------------------------|---------|----------|--|
| 1       | 180358     | Deck Weldment Mower 48               | 50      | 72110612 | Bolt, Carr. 3/8-16 x 1-1/2 Gr. 5   |
| 3       | 178915     | Bracket Asm., Sway Bar               | 52      | 175820   | Pulley Idler Flat  |
| 5       | 4939M      | Retainer Spring                      | 56      | 155986   | Bar Pnt Adj.   |
| 6       | 178024     | Sway Bar Deck                        | 57      | 156941   | Pin Head Rivet   |
| 8       | 174365     | Bolt 7/16 Asm. Blade                 | 91      | 180535   | Bracket Asm N Roller RH  |
|         |            | (The following blades are available) | 94      | 176066   | Roller Nose 48"  |
| 11      | 173921     | Blade, 48" Mulching                  | 95      | 180534   | Bracket Asm N Roller LH  |
|         |            | (For mulching mowers only)           | 97      | 178515   | Washer Hardened  |
| --      | 180054     | Blade, 48" Hi-Lift                   | 98      | 179479   | Spring Primary Drive   |
|         |            | (For bagging and discharging)        | 99      | 184058   | Pulley Idler"V"  |
| 13      | 174360     | Shaft Asm. w/Lower Bearing           | 100     | 72110616 | Bolt RDHD Sqnc 3/8-16 unc x 2  |
| 14      | 174358     | Mandrel Asm.                         | 110     | 175016   | Arm Spring Secondary   |
| 15      | 110485X    | Bearing, Ball, Mandrel               | 112     | 174387   | Link Tension Relief Lever  |
| 16      | 174493     | Stripper Mandrel Deck                | 113     | 72110506 | Bolt Carr. 5/16-18 x 3/4   |
| 17      | 72110610   | Bolt RDHD Sq Neck 3/8-16 x 1.25      | 114     | 174384   | Tension Asm. Relief Lever  |
| 18      | 72140505   | Bolt, Carriage 5/16-18 x 5/8         | 115     | 174609   | Arm Spring Tension Relief  |
| 19      | 132827     | Bolt, Hex Hd, Shoulder 5/16-18       | 116     | 184219   | Bolt, Shoulder   |
| 20      | 174378     | Baffle, Vortex Mower                 | 117     | 133957   | Gauge Wheel  |
| 21      | 73680500   | Nut, Crownlock 5/16-18 unc           | 118     | 73930600 | Nut, Centerlock 3/8-16 unc   |
| 24      | 105304X    | Cap, Sleeve                          | 119     | 19121414 | Washer 3/8 x 7/8 x 14 Ga.  |
| 25      | 178102     | Spring, Torsion                      | 121     | 174371   | Spring Secondary Drive   |
| 26      | 110452X    | Nut, Push                            | 122     | 174606   | Bushing Pivot Tension Relief   |
| 27      | 180655X428 | Deflector Shield                     | 126     | 174372   | Arm, Idler, Primary Deck   |
| 28      | 19111016   | Washer 11/32 x 5/8 x 16 Ga.          | 130     | 17000616 | Screw 3/8-16 x 1.0   |
| 29      | 131491     | Rod, Hinge                           | 132     | 17000612 | Screw 3/8-16 x .75   |
| 30      | 173984     | Screw, Thdroll Washer Head           | 182     | 179127   | Rod Roller Nose  |
| 31      | 129963     | Washer, Spacer Mower Vented          | 183     | 163552   | Retainer Spring  |
| 32      | 177865     | Pulley, Mandrel                      | 184     | 173979   | Keeper Belt Idler  |
| 33      | 178342     | Nut, Flg. Top Lock Cntr. 9/16        | --      | 174356   | Mandrel Asm. Service (Includes Key Nos. 13-15 and 33)  |
| 36      | 19131316   | Washer 13/32 x 13/16 x 16 Ga.        | --      | 181579   | Replacement Mower, Complete (Std. Deck-Order separately nose roller components key nos. 91, 94, 95, 132, 182, 183) |
| 37      | 177968     | Pulley, Idler, Flat                  |         |          |  |
| 39      | 174375     | Pulley, Idler, Driven                |         |          |  |
| 42      | 165723     | Spacer, Retainer                     |         |          |  |
| 43      | 174373     | Arm, Idler Secondary                 |         |          |  |
| 45      | 180806     | Cover, Mandrel Deck                  |         |          |  |
| 46      | 137729     | Screw, Thdroll. 1/4-20 x 5/8         |         |          |  |
| 47      | 180808     | V-Belt, Mower, Secondary             |         |          |  |
| 48      | 174368     | V-Belt, Mower, Primary               |         |          |  |
| 49      | 73680600   | Nut, Crownlock 3/8-16 unc            |         |          |  |

**NOTE:** All component dimensions given in U.S. inches  
1 inch = 25.4 mm