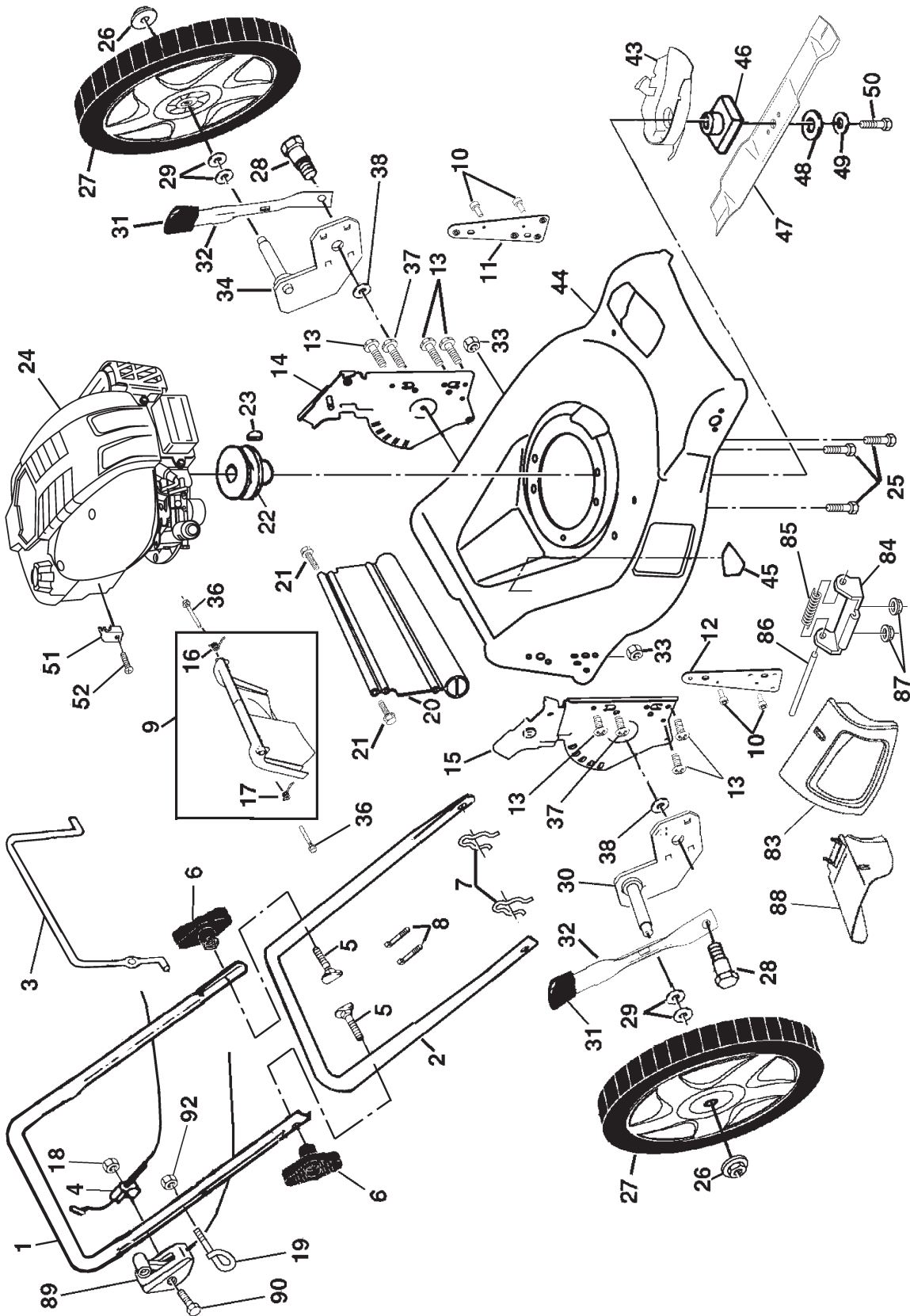


ROTARY LAWN MOWER -- MODEL NUMBER PR7Y21CHA

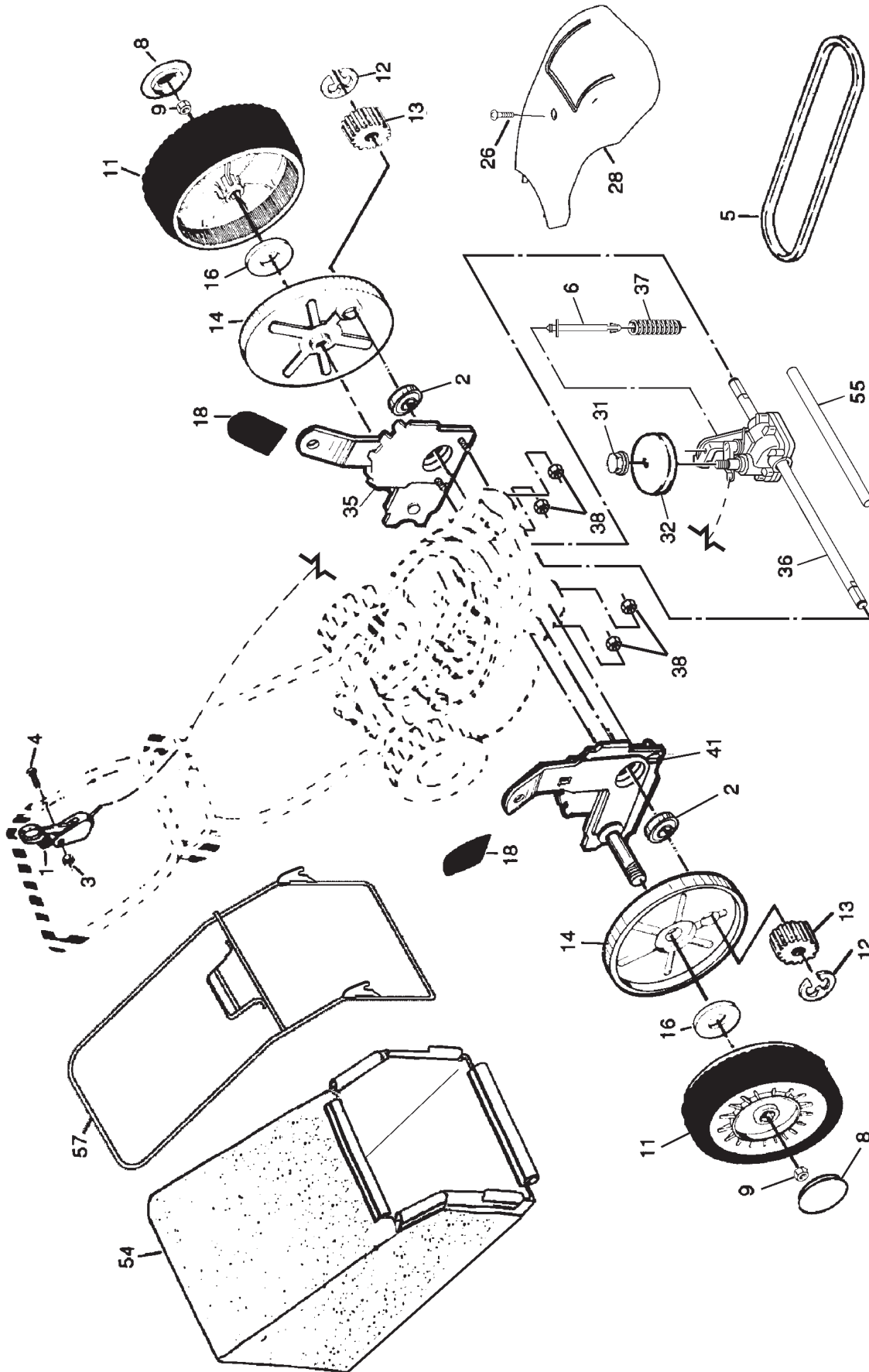


ROTARY LAWN MOWER - - MODEL NUMBER PR7Y21CHA

KEY NO.	PART NO.	DESCRIPTION	KEY NO.	PART NO.	DESCRIPTION
1	183496X479	Upper Handle	31	175478	Selector Knob
2	151721X479	Lower Handle	32	175053X004	Selector Spring
3	146771	Control Bar	33	73800500	Nut, Hex 5/16-18
4	133107	Engine Zone Control Cable	34	180412X004	Axle Arm Assembly, LR
5	131959	Handle Bolt	36	184193	Bolt
6	136376	Handle Knob	37	150078	Thread Cutting Screw w/Sems 5/16-18 x 3/4
7	51793	Hairpin Cotter	38	183901	Washer
8	66426	Wire Tie	43	175083	Bottom Belt Cover
9	180479	Rear Door Kit (Includes Key Numbers 16 and 17)	44	176710	Kit, Housing (Includes Key Numbers 10, 11, 12 and 45)
10	128415	Pop Rivet	45	107339X	Danger Decal
11	175069X479	Support Bracket, LH	46	184590	Blade Adapter
12	175070X479	Support Bracket, RH	47	189028	Blade, 21"
13	17060410	Screw 1/4-20 x 5/8	48	851074	Hardened Washer
14	175576X479	Handle Bracket Assembly, LH	49	850263	Helical Washer 3/8-24 x 1-3/8 Grade 8
15	175577X479	Handle Bracket Assembly, RH	50	851084	Hex Head Machine Screw 3/8-24 x 1-3/8 Grade 8
16	180071	Spring, LH	51	111190X	Clamp, Cable
17	180072	Spring, RH	52	83816	Screw, Cable Clamp
18	132004	Keps Locknut 1/4-20	83	175066	Mulcher Door
19	179585	Rope Guide	84	175735	Hinge Bracket Assembly
20	178398	Rear Skirt	85	175285	Spring
21	88652	Hinge Screw 1/4-20 x 1-1/4	86	175650	Rod, Hinge
22	184941	Engine Pulley	87	73800400	Nut, Hex
23	187723	Hi-Pro Key	88	175071	Clipping Deflector
24	---	Engine, Briggs & Stratton, Model Number 12H602 (For engine service and replacement parts, call Briggs & Stratton at 1-800-233-3723)	89	174221	Throttle Control
25	150406	Hex Head Thread Rolling Screw 3/8-16 x 1-1/8	90	183365	Screw
26	83923	Hex Flange Nut	92	132004	Nut, Hex
27	181383	Wheel	--	162300	Warning Decal (Not Shown)
28	160828	Shoulder Bolt 5/16-18 x .33	--	172787	Operator's Manual, English
29	57143	Wave Washer	--	172788	Operator's Manual, French
30	180411X004	Axle Arm Assembly, RR	--	188993	Repair Parts Manual, English / French

NOTE: All component dimensions given in U.S. inches.
1 inch = 25.4 mm

ROTARY LAWN MOWER -- MODEL NUMBER PR7Y21CHA



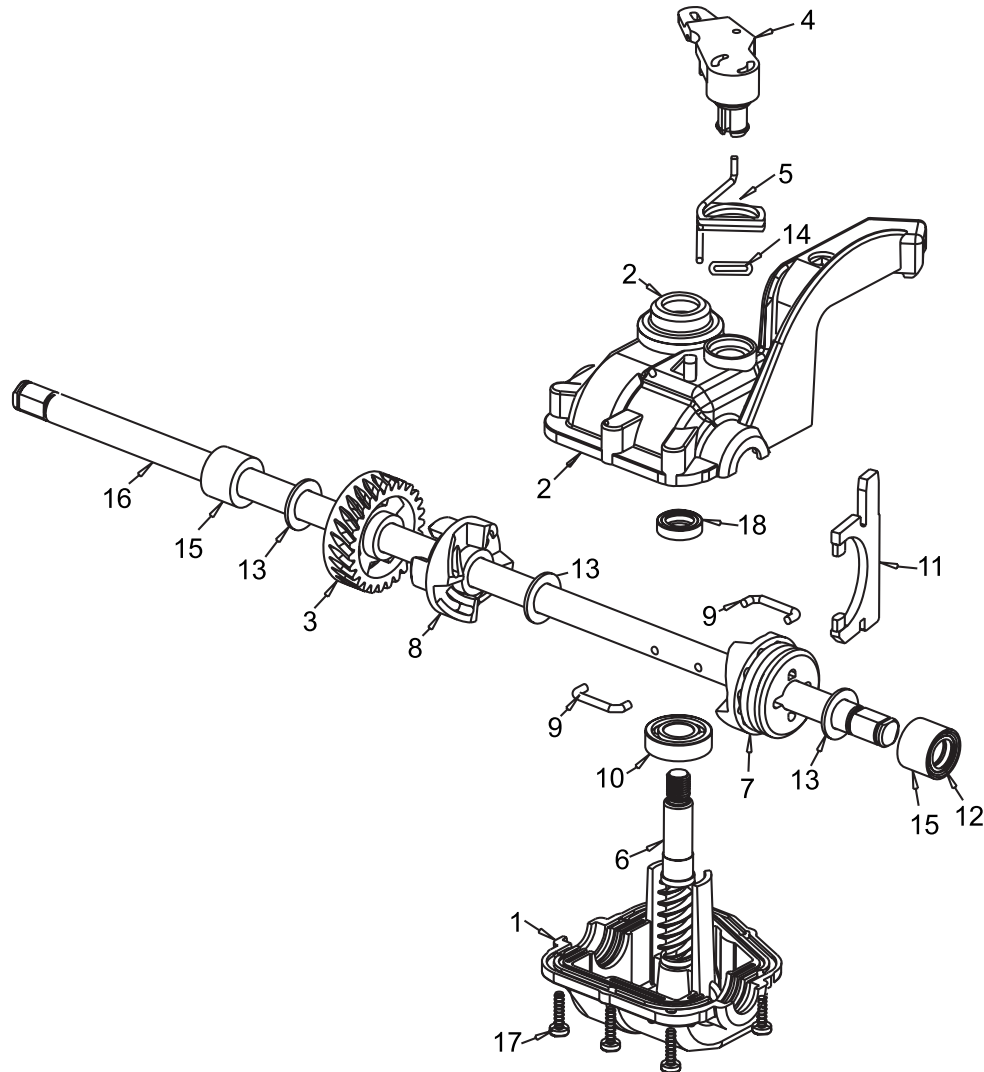
ROTARY LAWN MOWER - - MODEL NUMBER PR7Y21CHA

KEY NO.	PART NO.	DESCRIPTION	KEY NO.	PART NO.	DESCRIPTION
1	184587	Control Cable Assembly	28	180329	Drive Cover
2	167387	Bearing, Wheel Adjuster	31	132010	Hex Flange Nut
3	191730	Nut, Hex, Flanged 1/4-20	32	189407	Drive Pulley
4	158755	Hex Washer Head Screw 1/4-20 x 2.12	35	172291	Kit, Wheel Adjuster, LH (Includes Knob and Bearing)
5	175436	V-Belt	36	180184	Gear Case Assembly (See Breakdown)
6	150495	Spring Retainer	37	137090	Spring
8	77400	Hubcap	38	73800400	Locknut 1/4-20
9	145212	Locknut	41	172290	Kit, Wheel Adjuster, RH (Includes Knob and Bearing)
11	180766	Wheel & Tire Assembly	54	188985	Grassbag Assembly
12	12000058	E-Ring	55	175739	Driveshaft Cover
13	137054	Pinion	57	188815	Frame, Grassbag
14	180504	Dust Cover			
16	67725	Washer 1/2 x 1-1/2 x .134			
18	170143	Selector Knob			
26	175262	Pan Head Tapping Screw #10-24 x 2-3/4			

NOTE: All component dimensions given in U.S. inches.
1 inch = 25.4 mm

**ROTARY LAWN MOWER - - MODEL NUMBER PR7Y21CHA
GEARCASE ASSEMBLY - - PART NUMBER 180184**

**TONDEUSE À GAZON ROTATIVE - - NUMÉRO DE MODÈLE PR7Y21CHA
ENSEMBLE DE LA BOÎTE DE VITESSE - NUMÉRO DE PIÈCE 180184**



**KEY PART
NO. NO.**

1	183497	Case, Lower
2	183498	Case, Upper
3	183499	Gear, 27 Teeth
4	183500	Lever, Clutch
5	183501	Spring, Return
6	183502	Shaft, Input
7	183503	Dog, Movable
8	183504	Dog, Fixed
9	183505	Wire, Formed
10	183506	Bearing, Ball
11	183507	Fork, Shift
12	183508	Seal, Output Shaft
13	183509	Washer
14	183510	Seal, Case
15	183511	Bushing
16	183512	Shaft, Output
17	183513	Screw
18	183514	Seal, Input Shaft
--	183404	Kit, Gearcase Replacement (Includes Instructions)

DESCRIPTION

Boîte, Inférieur
Boîte, Supérieur
Engrenage, 27 Dents
Levier d'embrayage
Ressort de Rappel
Arbre d'entrée
Griffe, Amovible
Griffe, Fixe
Fil à Pince
Palier
Fourchette de Changement de Vitesse
Sceau, Arbre de Sortie
Rondelle
Sceau, Boîte
Douille
Arbre de Sortie
Vis
Sceau, Arbre d'entrée
Jeu, Remplacer, Boîte de Vitesse (Y compris le instructions)

NOTE: Use Dow Corning #709
to reseal Gear Case Halves.

REMARQUE: Utilizer Dow Corning #709
pour Sceau les Boîtes.