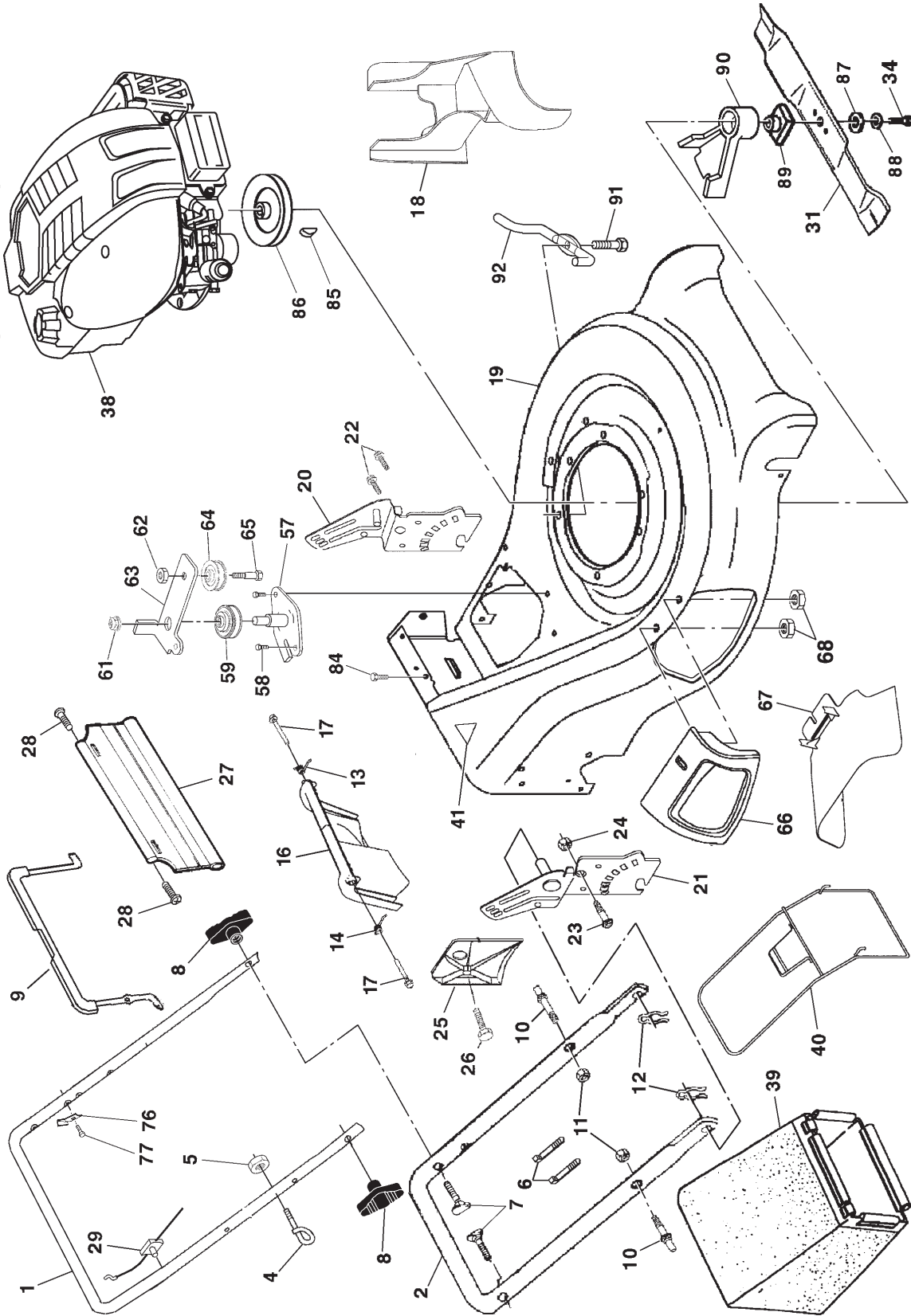


ROTARY LAWN MOWER -- MODEL NUMBER PR7R21 (PR7R21B)

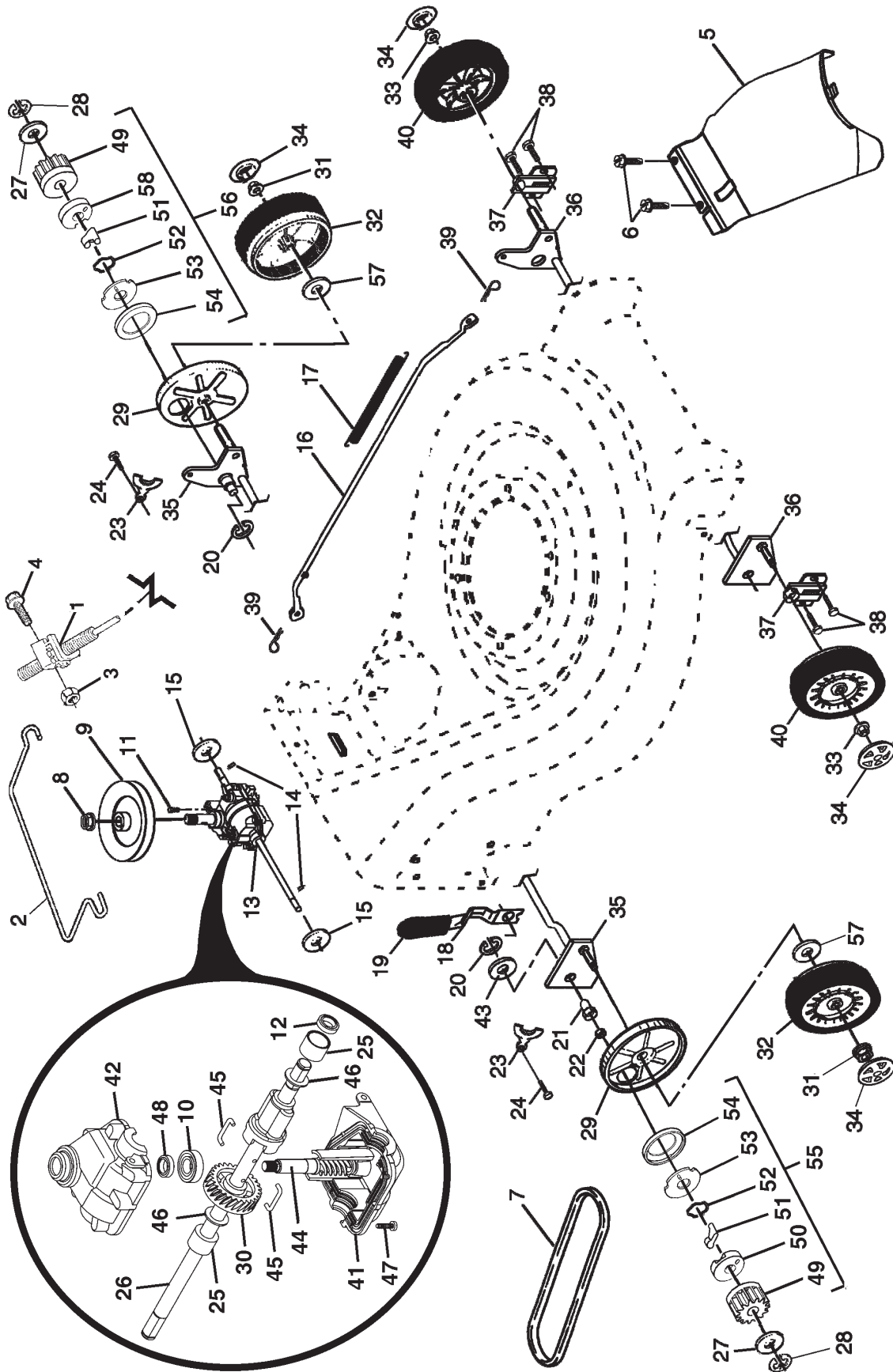


ROTARY LAWN MOWER - - MODEL NUMBER PR7R21 (PR7R21B)

KEY NO.	PART NO.	DESCRIPTION	KEY NO.	PART NO.	DESCRIPTION
1	189663X479	Handle, Upper	39	189004	Grassbag
2	161105X479	Handle, Lower	40	188817	Frame, Grassbag
3	186053	Spring, Rear Door, RH	41	107339X	Danger Decal
4	179585	Guide, Rope, Side	57	179783X004	Bracket Assembly
5	132004	Nut, Hex, with Lockwasher Insert 1/4-20	58	57808	Screw
6	66426	Wire, Tie	59	184543	V-Groove Pulley
7	131959	Bolt, Handle 5/16-18 x 2-5/8	61	145212	Nut, Hex, Flanged
8	189713X428	Knob, Handle	62	155552	Locknut
9	182810	Control Bar	63	179719X004	Idler Arm
10	188821	Bolt, Carriage	64	166043	Idler Pulley
11	73930500	Nut, Hex, with Lockwasher Insert 5/16-18 UNC	65	160829	Shoulder Bolt
12	51793	Cotter, Hairpin	66	183058X428	Rear Door Assembly
13	186052	Spring, Rear Door, LH	67	169699X428	Mulcher Door, Multi-Cut
16	185855X428	Rear Door Assembly	68	88349	Nut, Hex
17	184193	Bolt, Rear Door	76	850733X004	Bracket, Upstop
18	187535	Plug, Mulcher	77	750634	Screw
19	181763	Kit, Housing	84	54583	Screw
20	187249X479	Handle Bracket Assembly, Left	85	187723	Key, Hi-Pro
21	187250X479	Handle Bracket Assembly, Right	86	184941	Pulley
22	150078	Screw, Hex Washer Head	87	851074	Washer
23	163183	Bolt, Hex Head 5/16-18 x 5/8	88	850263	Washer, Lock
24	73800500	Nut, Hex, with Lockwasher Insert 5/16-18	89	184590	Blade Adapter
25	161333	Baffle, Side	90	188786	Debris Shield
26	163409	Screw #12 x 5/8	91	188040	Bolt
27	189986	Skirt, Rear	92	188839X004	Mounting Bracket, Debris Shield
28	88652	Screw, Hinge 1/4-20 x 1.25	--	162300	Warning Decal (not shown)
29	183567	Cable, Engine Zone Control	--	172787	Operator's Manual, English
31	189028	Blade, 21"	--	172788	Operator's Manual, French
34	851084	Bolt, Hex Head	--	190877	Repair Parts Manual, English / French
37	150406	Bolt, Engine			
38	---	Engine, Briggs & Stratton, Model Number 12H602 (For engine service and replacement parts, call Briggs & Stratton at 1-800-233-3723)			

NOTE: All component dimensions given in U.S. inches.
1 inch = 25.4 mm

ROTARY LAWN MOWER -- MODEL NUMBER PR7R21 (PR7R21B)



ROTARY LAWN MOWER - - MODEL NUMBER PR7R21 (PR7R21B)

KEY NO.	PART NO.	DESCRIPTION	KEY NO.	PART NO.	DESCRIPTION
1	189181	Drive Control Assembly	32	180764	Wheel 9 x 2
2	18952X428	Control Bar, Drive	33	83923	Nut, Flangelock 3/8-16
3	751152	Nut, Hex	34	77400	Hubcap, Mag, Platinum
4	185681	Screw	35	189180X004	Shaft Assembly, Rear
5	161537X428	Cover Drive	36	160786X004	Shaft Assembly, Front
6	750634	Screw, Threaded, Rolled #10-25 x .50	37	161463	Retainer, Front Shaft
7	182212	V-Belt	38	163409	Screw #12 x 5/8
8	132010	Nut, Flangelock, Zinc Plated 3/8-16	39	700279	Clip, Retainer
9	184749	Pulley, Drive	40	172297	Wheel 8 x 2
10	183506	Bearing, Ball	41	187530	* Case, Lower
11	187653	Screw	42	187531	* Case, Upper
12	183508	Seal, Output Shaft	43	19572216	Washer
13	187213	Gear Case Assembly, Complete	44	187533	Shaft, Input
14	145354	Pin, Spring, Thrust	45	183505	Wire, Formed
15	57079	Washer, Hardened	46	183509	Washer
16	161584	Rod, Connecting	47	183513	Screw
17	161602	Spring, Extension	48	183514	Seal, Input Shaft
18	18953X004	Spring, Selector	49	175103	Pinion, Gear
19	189808X421	Knob, Selector Spring	50	175102	Retainer, Drive, RH
20	1200022	E-Ring 7/8	51	175098	Pawl
21	163365	Bearing, Support	52	188291	Spring, Torsion
22	169911	Bearing, Ball	53	175104	Disc, Drive
23	161118X004	Retainer, Drive Assembly	54	184172	Seal, Friction
24	57808	Screw, Tapping, Hex Head 1/4-20 x .75	55	188330	Pinion Assembly, RH
25	183511	Bushing	56	188331	Pinion Assembly, LH
26	187534	Shaft, Output	57	67725	Washer
27	52160	Washer, Shim (as required)	58	175105	Retainer, Drive, LH
28	12000058	E-Ring 7/16			
29	189403	Cover, Dust, Wheel			
30	187532	Gear, 24 Teeth			
31	145212	Nut, Flangelock			

* Use Dow Corning #709 to reseal Gear Case Halves.

NOTE: All component dimensions given in U.S. inches.
1 inch = 25.4 mm