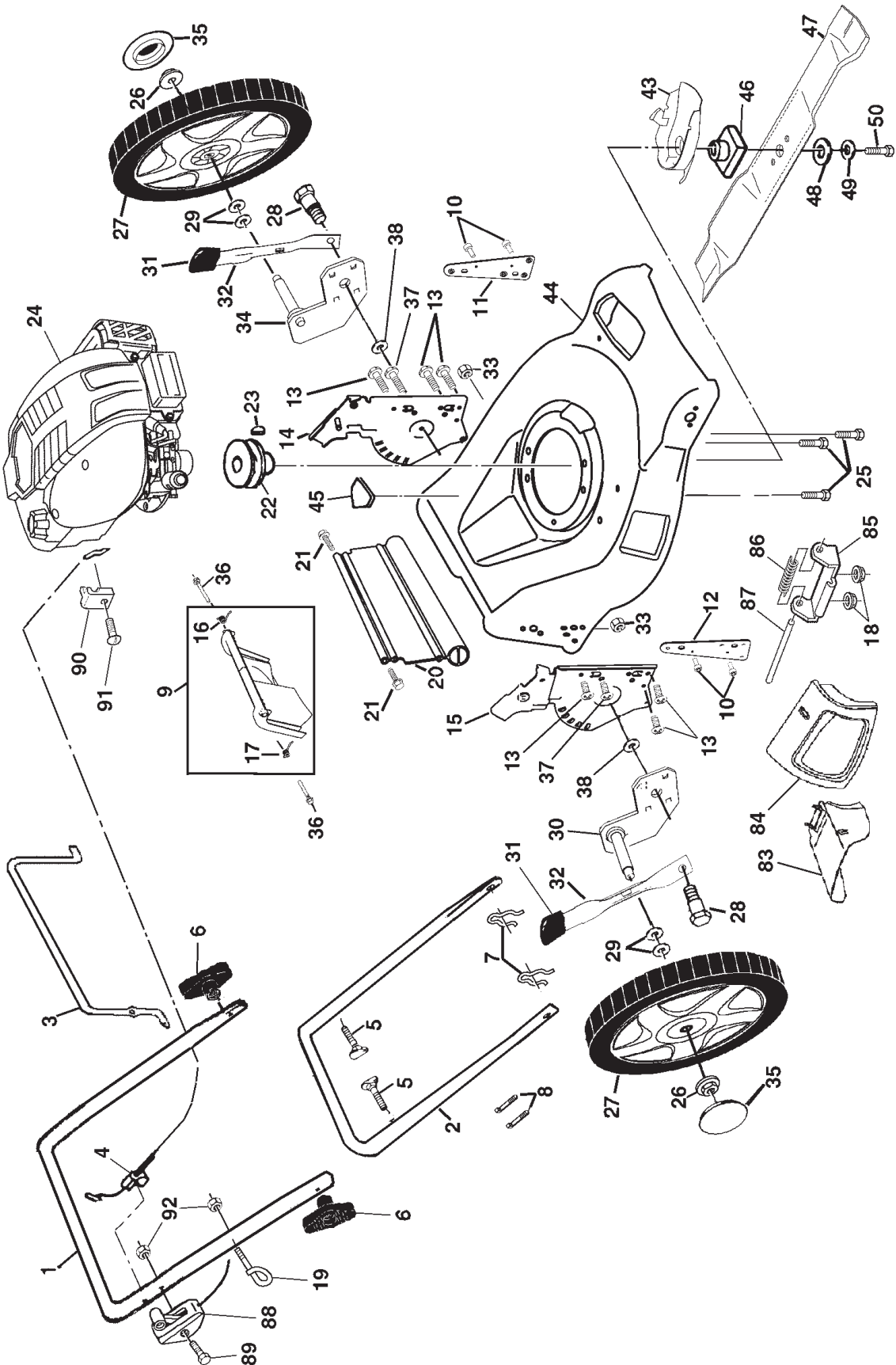


ROTARY LAWN MOWER - - MODEL NUMBER PR675Y21CHC

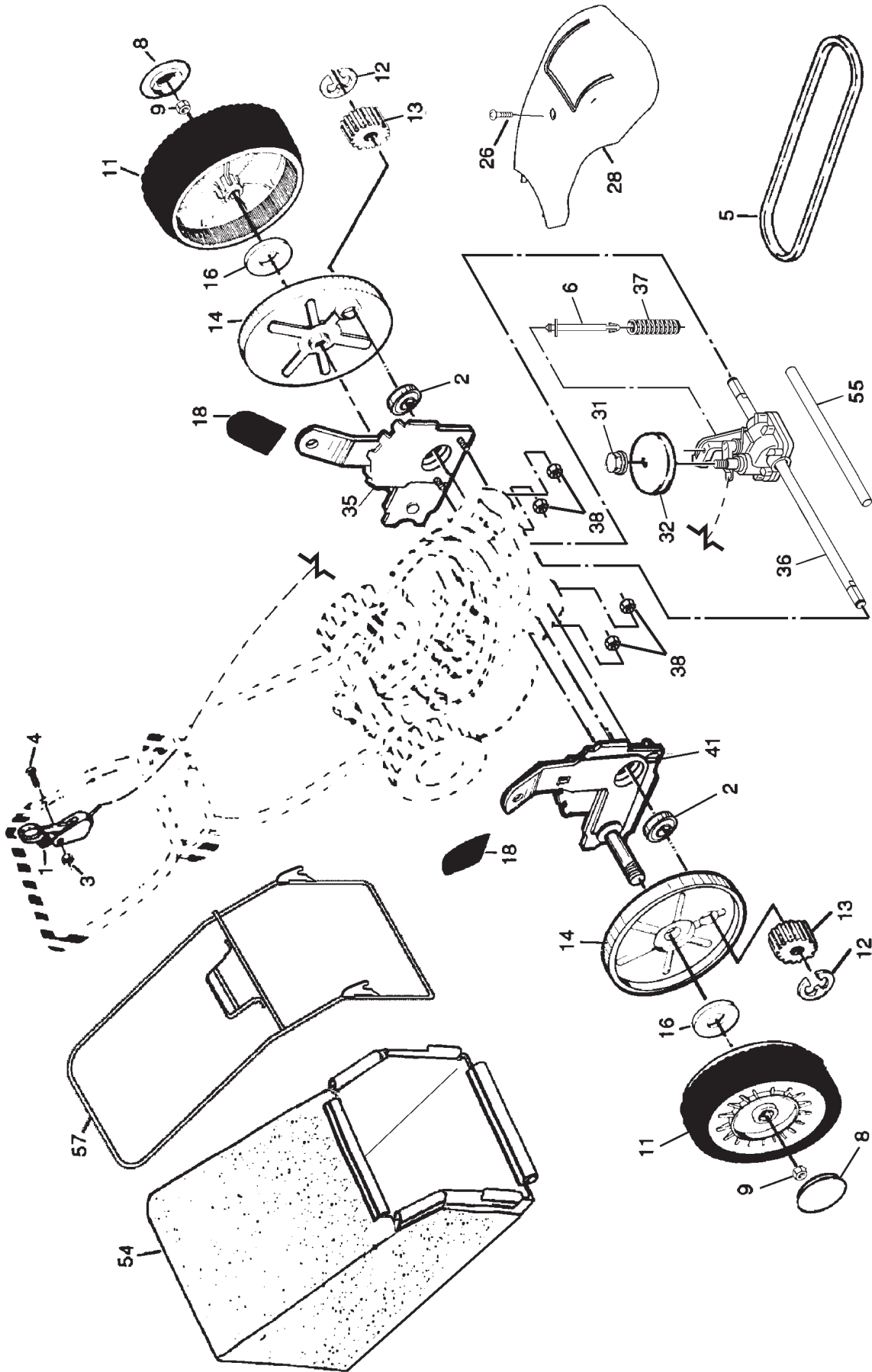


ROTARY LAWN MOWER - - MODEL NUMBER PR675Y21CHC

KEY NO.	PART NO.	DESCRIPTION	KEY NO.	PART NO.	DESCRIPTION
1	166862X479	Upper Handle	32	175053X004	Selector Spring
2	151721X479	Lower Handle	33	73800500	Nut 5/16-18
3	170287	Control Bar	34	180412X004	Axle Arm Assembly, LR
4	133107	Engine Zone Control Cable	35	180624	Hubcap
5	131959	Handle Bolt	36	184193	Bolt
6	170146	Handle Knob	37	150078	Thread Cutting Screw, Sems 5/16-18 x 3/4
7	51793	Hairpin Cotter	38	19112206	Washer
8	66426	Wire Tie	43	175083	Bottom Belt Cover
9	180479	Rear Door Kit (Includes Key #16 and 17)	44	176710	Lawn Mower Housing (Includes Key Numbers 10, 11, 12 and 45)
10	128415	Pop Rivet	45	107339X	Danger Decal
11	175069X479	Support Bracket, LH	46	184590	Blade Adapter
12	175070X479	Support Bracket, RH	47	175064	Blade 21"
13	17060410	Screw 14-20 x 5/8	48	851074	Hardened Washer
14	175576X479	Handle Bracket Assembly (Left)	49	850263	Helical Washer 3/8-24 x 1-3/8 Grade 8
15	175577X479	Handle Bracket Assembly (Right)	50	851084	Hex Head Machine Screw 3/8-24 x 1-3/8 Grade 8
16	180071	Spring, LH	83	175071	Clipping Deflector
17	180072	Spring, RH	84	175066	Mulcher Door
18	73800400	Keps Locknut 1/4-20	85	175735	Hinge Bracket
19	179585	Rope Guide	86	175285	Spring
20	178398	Rear Skirt	87	175650	Hinge Rod
21	88652	Hinge Screw 1/4-20 x 1-1/4	88	174221	Throttle Control
22	184941	Engine Pulley	89	183365	Screw
23	850848	Hi-Pro Key #505	90	111190X	Cable Clamp
24	- - -	Engine, Briggs & Stratton, Model No. 121602 (Order parts from Engine manufacturer)	91	83816	Screw
25	150406	Hex Head Thread Rolling Srew 3/8-16 x 1-1/8	92	132004	Nut, Hex
26	83923	Hex Flange Nut	- -	162300	Warning Decal (Not Shown)
27	180203	Wheel	- -	172787	Operator's Manual, English
28	160828	Shoulder Bolt 5/16-18 x .33	- -	172788	Operator's Manual, French
29	57143	Wave Washer	- -	187665	Repair Parts Manual, English/French
30	180411X004	Axle Arm Assembly, RR			
31	175478	Selector Knob			

NOTE: All component dimensions given in U.S. inches.
1 inch = 25.4 mm

ROTARY LAWN MOWER - - MODEL NUMBER PR675Y21CHC



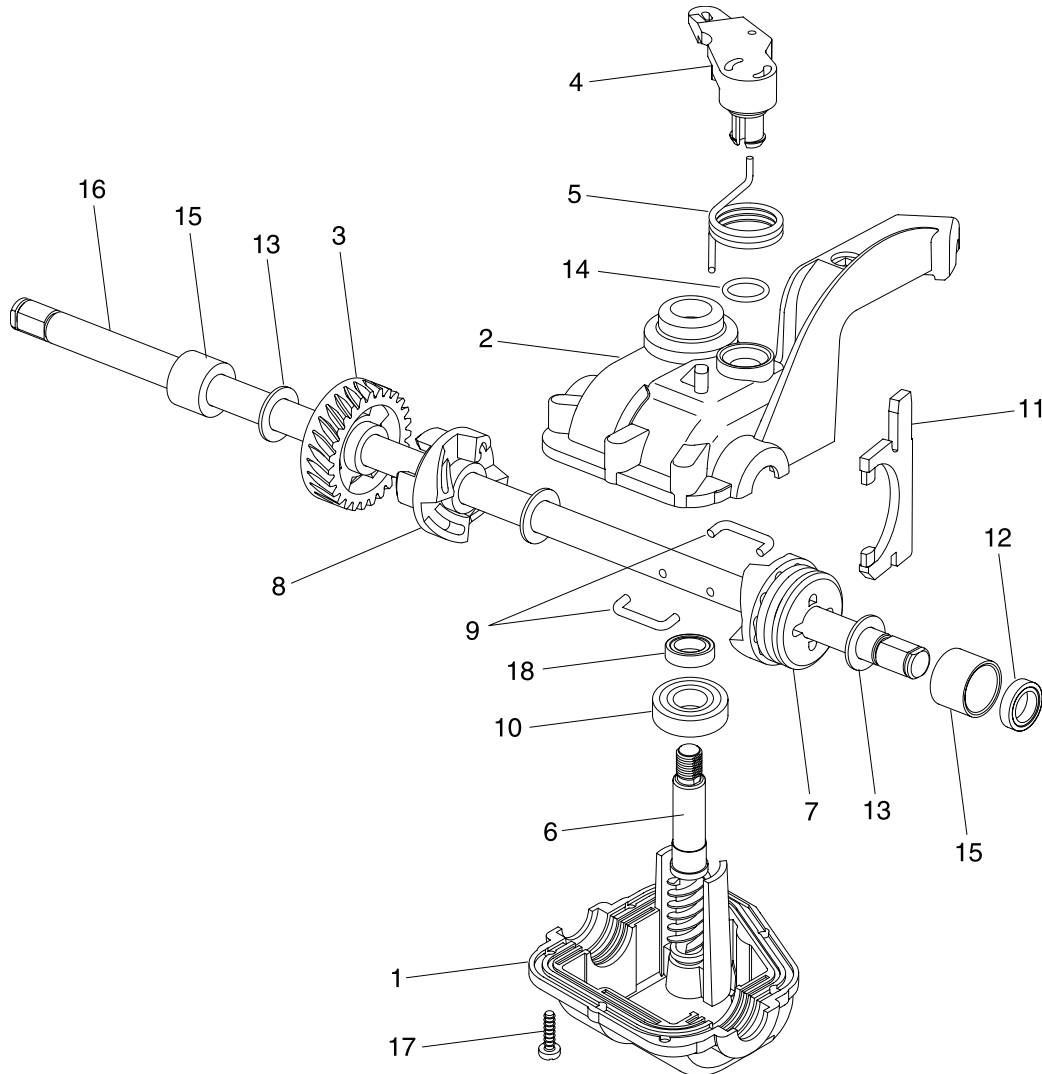
ROTARY LAWN MOWER - - MODEL NUMBER PR675Y21CHC

KEY NO.	PART NO.	DESCRIPTION	KEY NO.	PART NO.	DESCRIPTION
1	184587		28	180329	Drive Cover
2	167387	Control Cable Assembly	31	132010	Hex Flange Nut
3	751152	Bearing, Wheel Adjuster Locknut #10-24	32	137052	Drive Pulley
4	158755	Hex Washer Head Screw 1/4-20 x 2.12	35	172291	Kit, Wheel Adjuster, LH
5	175436	V-Belt	36	180184	(Includes Knob and Bearing)
6	150495	Spring Retainer	37	137090	Gear Case Assembly (See Breakdown)
8	180660	Hubcap	38	73800400	Spring
9	145212	Locknut	41	172290	Locknut 1/4-20
11	180767	Wheel & Tire Assembly			Kit, Wheel Adjuster, RH
12	12000058	E-Ring	54	186027	(Includes Knob and Bearing)
13	137054	Pinion	55	175739	Grassbag Assembly
14	180504	Dust Cover	57	183993	Driveshaft Cover
16	67725	Washer 1/2 x 1-1/2 x .134			Frame
18	170143	Selector Knob			
26	175262	Pan Head Tapping Screw #10-24 x 2-3/4			

NOTE: All component dimensions given in U.S. inches.
1 inch = 25.4 mm

**ROTARY LAWN MOWER - - MODEL NUMBER PR675Y21CHC
GEARCASE ASSEMBLY - - PART NUMBER 180184**

**TONDEUSE À GAZON ROTATIVE - - NUMÉRO DE MODÈLE PR675Y21CHC
ENSEMBLE DE LA BOÎTE DE VITESSE - NUMÉRO DE PIÈCE 180184**



**KEY PART
NO. NO.**

1	183497	Case, Lower
2	183498	Case, Upper
3	183499	Gear, 27 Teeth
4	183500	Lever, Clutch
5	183501	Spring, Return
6	183502	Shaft, Input
7	183503	Dog, Movable
8	183504	Dog, Fixed
9	183505	Wire, Formed
10	183506	Bearing, Ball
11	183507	Fork, Shift
12	183508	Seal, Output Shaft
13	183509	Washer
14	183510	Seal, Case
15	183511	Bushing
16	183512	Shaft, Output
17	183513	Screw
18	183514	Seal, Input Shaft
--	183404	Kit, Gearcase Replacement (Includes Instructions)

DESCRIPTION

Boîte, Inférieur
Boîte, Supérieur
Engrenage, 27 Dents
Levier d'embrayage
Ressort de Rappel
Arbre d'entrée
Griffe, Amovible
Griffe, Fixe
Fil à Pince
Palier
Fourchette de Changement de Vitesse
Sceau, Arbre de Sortie
Rondelle
Sceau, Boîte
Douille
Arbre de Sortie
Vis
Sceau, Arbre d'entrée
Jeu, Remplacer, Boîte de Vitesse (Y compris le instructions)

NOTE: Use Dow Corning #709
to reseal Gear Case Halves.

REMARQUE: Utilizer Dow Corning #709
pour Sceau les Boîtes.