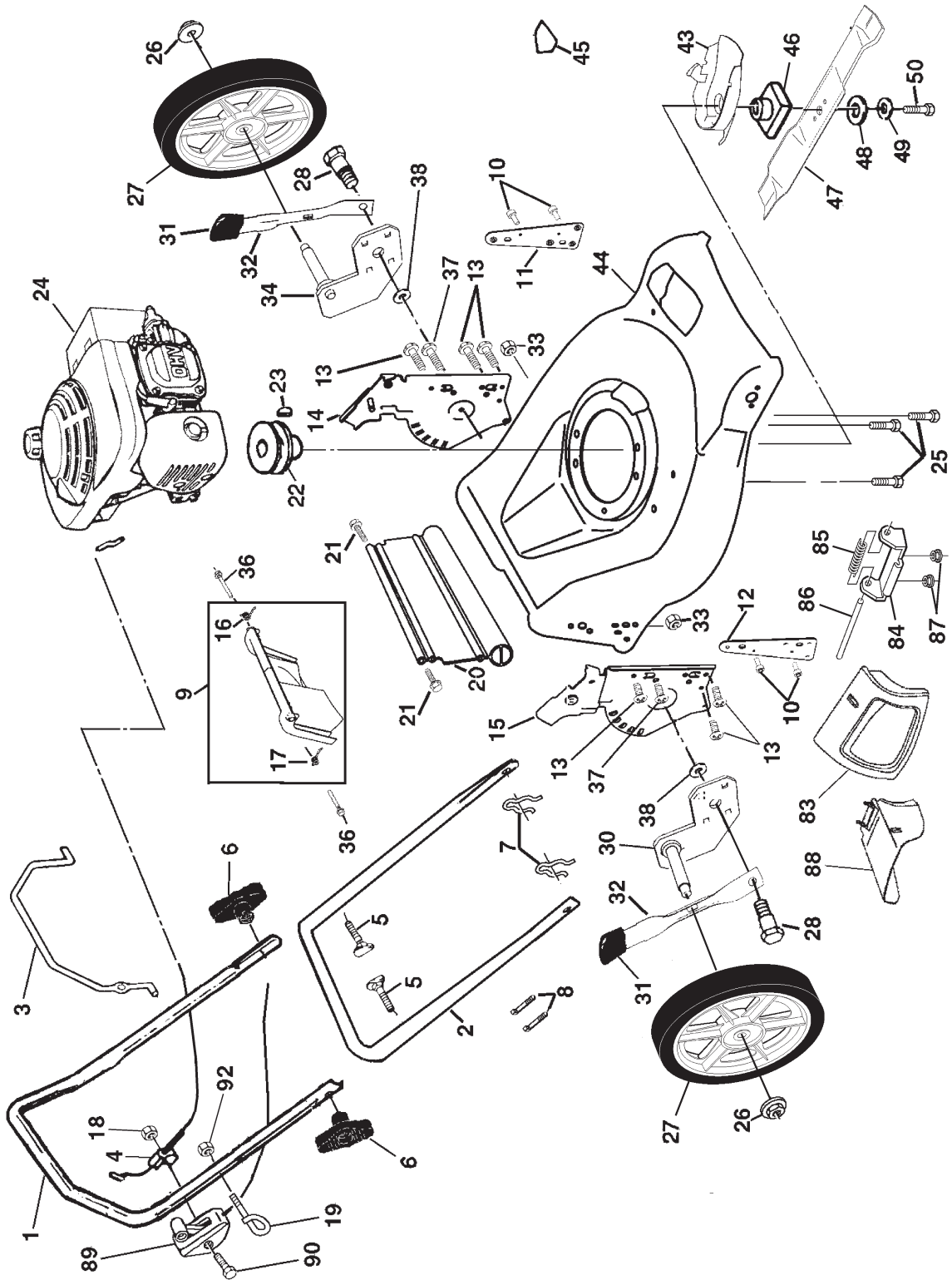


ROTARY LAWN MOWER -- MODEL NUMBER PR55Y21CH (PR55Y21CHD)

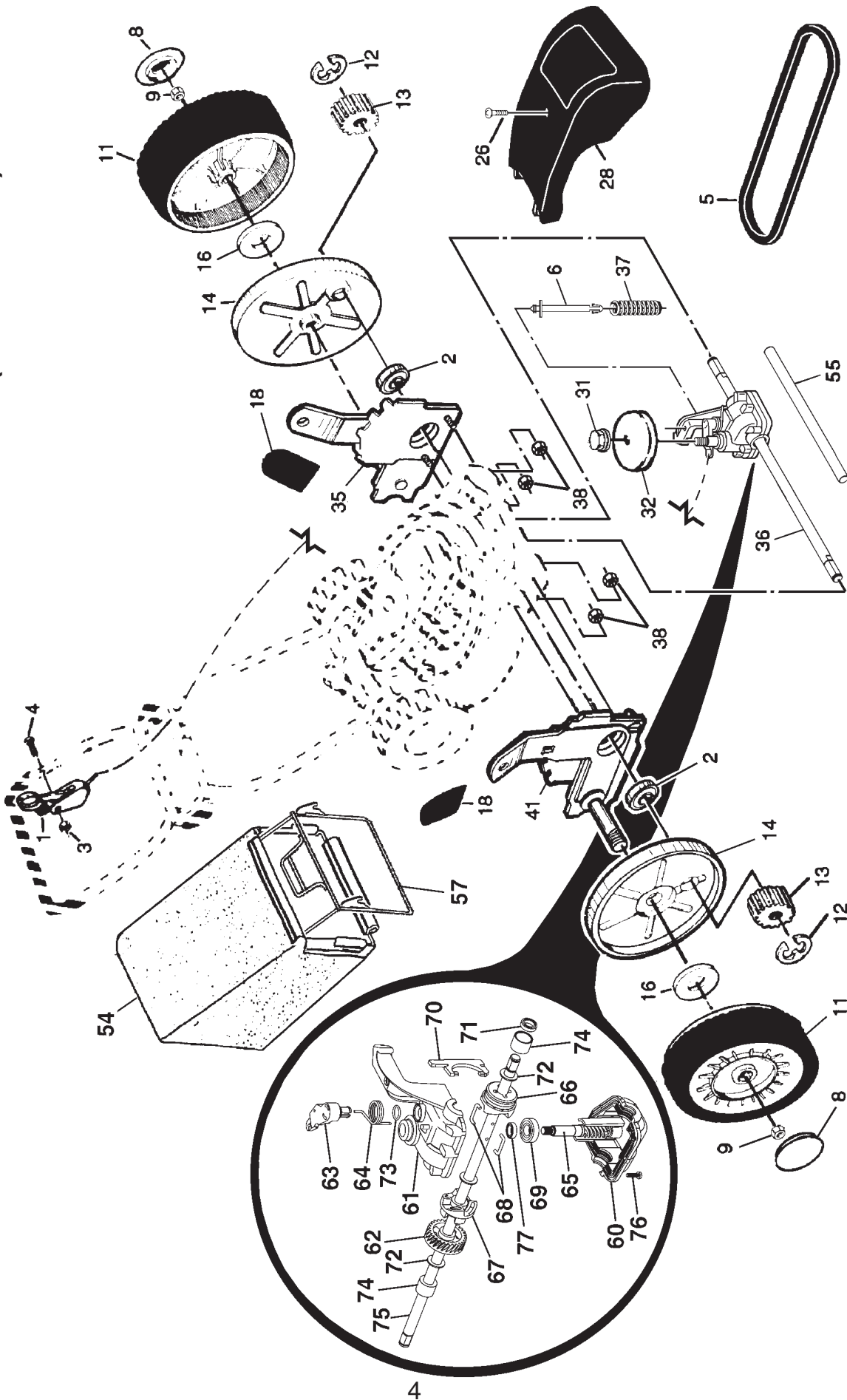


ROTARY LAWN MOWER - - MODEL NUMBER PR55Y21CH (PR55Y21CHD)

KEY NO.	PART NO.	DESCRIPTION	KEY NO.	PART NO.	DESCRIPTION
1	183496X479	Upper Handle	32	175053X004	Selector Spring
2	151721X479	Lower Handle	33	73800500	Nut, Hex 5/16-18
3	146771	Control Bar	34	180412X004	Axle Arm Assembly, LR
4	130861	Engine Zone Control Cable	36	184193	Bolt
5	131959	Handle Bolt	37	150078	Thread Cutting Screw w/Sems 5/16-18 x 3/4
6	136376	Handle Knob	38	183901	Washer
7	51793	Hairpin Cotter	43	175083	Debris Shield
8	66426	Wire Tie	44	176710	Kit, Lawn Mower Housing
9	180479	Rear Door Kit (Includes Key Numbers 16 and 17)			(Includes Key Numbers 10, 11, 12 and 45)
10	128415	Pop Rivet	45	107339X	Danger Decal
11	175069X479	Support Bracket, LH	46	184590	Blade Adapter
12	175070X479	Support Bracket, RH	47	189028	Blade, 21"
13	17060410	Screw 1/4-20 x 5/8	48	851074	Hardened Washer
14	175576X479	Handle Bracket Assembly, LH	49	850263	Helical Washer 3/8-24 x 1-3/8 Grade 8
15	175577X479	Handle Bracket Assembly, RH	50	851084	Hex Head Machine Screw 3/8-24 x 1-3/8 Grade 8
16	180071	Spring, LH	83	175066	Mulcher Door
17	180072	Spring, RH	84	175735	Hinge Bracket Assembly
18	132004	Keps Locknut 1/4-20	85	175285	Spring
19	179585	Rope Guide	86	175650	Rod, Hinge
20	189005	Rear Skirt	87	73800400	Nut, Hex
21	88652	Hinge Screw 1/4-20 x 1-1/4	88	175071	Discharge Deflector
22	184941	Engine Pulley	89	185496	Throttle Control
23	187723	Hi-Pro Key	90	183365	Screw
24	---	Engine, Honda, Model Number GCV160 (For engine service and replacement parts, call Honda at 1-800-426-7701)	92	132004	Nut, Hex
25	150406	Hex Head Thread Rolling Screw 3/8-16 x 1-1/8	--	162300	Warning Decal (Not Shown)
26	83923	Hex Flange Nut	--	172787	Operator's Manual, English
27	181383	Wheel	--	172788	Operator's Manual, French
28	160828	Shoulder Bolt 5/16-18 x .33	--	188998	Repair Parts Manual, English / French
30	180411X004	Axle Arm Assembly, RR			
31	175478	Selector Knob			

NOTE: All component dimensions given in U.S. inches.
1 inch = 25.4 mm

ROTARY LAWN MOWER -- MODEL NUMBER PR55Y21CH (PR55Y21CHD)



ROTARY LAWN MOWER - - MODEL NUMBER PR55Y21CH (PR55Y21CHD)

KEY NO.	PART NO.	DESCRIPTION	KEY NO.	PART NO.	DESCRIPTION
1	184587	Control Cable Assembly	54	188985	Grassbag Assembly
2	167387	Bearing, Wheel Adjuster	55	175739	Driveshaft Cover
3	191730	Nut, Hex, Flanged 1/4-20	57	188815	Frame, Grassbag
4	158755	Hex Washer Head Screw 1/4-20 x 2.12	60	183497	Case, Lower *
5	175436	V-Belt	61	183498	Case, Upper *
6	150495	Spring Retainer	62	183499	Gear, 27 Teeth
8	77400	Hubcap	63	183500	Lever, Clutch
9	145212	Locknut	64	183501	Spring, Return
11	180766	Wheel & Tire Assembly	65	183502	Shaft, Input
12	12000058	E-Ring	66	183503	Dog, Movable
13	137054	Pinion	67	183504	Dog, Fixed
14	180504	Dust Cover	68	183505	Wire, Formed
16	67725	Washer 1/2 x 1-1/2 x .134	69	183506	Bearing, Ball
18	170143	Selector Knob	70	183507	Fork, Shift
26	175262	Pan Head Tapping Screw #10-24 x 2-3/4	71	183508	Seal, Output Shaft
28	180329	Drive Cover	72	183509	Washer
31	132010	Hex Flange Nut	73	183510	Seal, Case
32	189407	Drive Pulley	74	183511	Bushing
35	172291	Kit, Wheel Adjuster, LH (Includes Knob and Bearing)	75	183512	Shaft, Output
36	180184	Gear Case Assembly, Complete	76	183513	Screw
37	137090	Spring	77	183514	Seal, Input Shaft
38	73800400	Locknut 1/4-20			
41	172290	Kit, Wheel Adjuster, RH (Includes Knob and Bearing)			

* Use Dow Corning #709 to reseal Gear Case Halves.

NOTE: All component dimensions given in U.S. inches.
1 inch = 25.4 mm