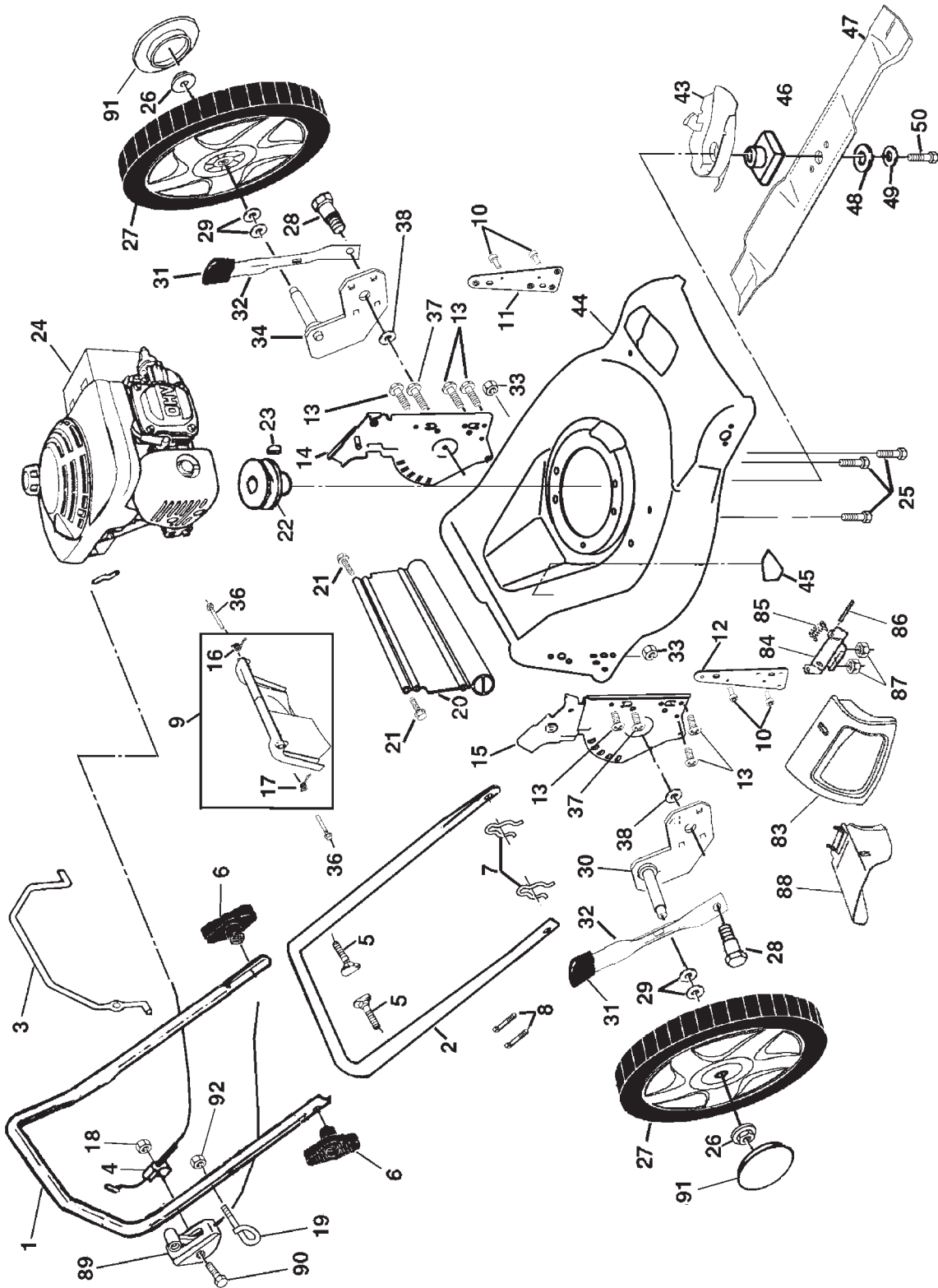


ROTARY LAWN MOWER -- MODEL NUMBER PR55Y21CHC

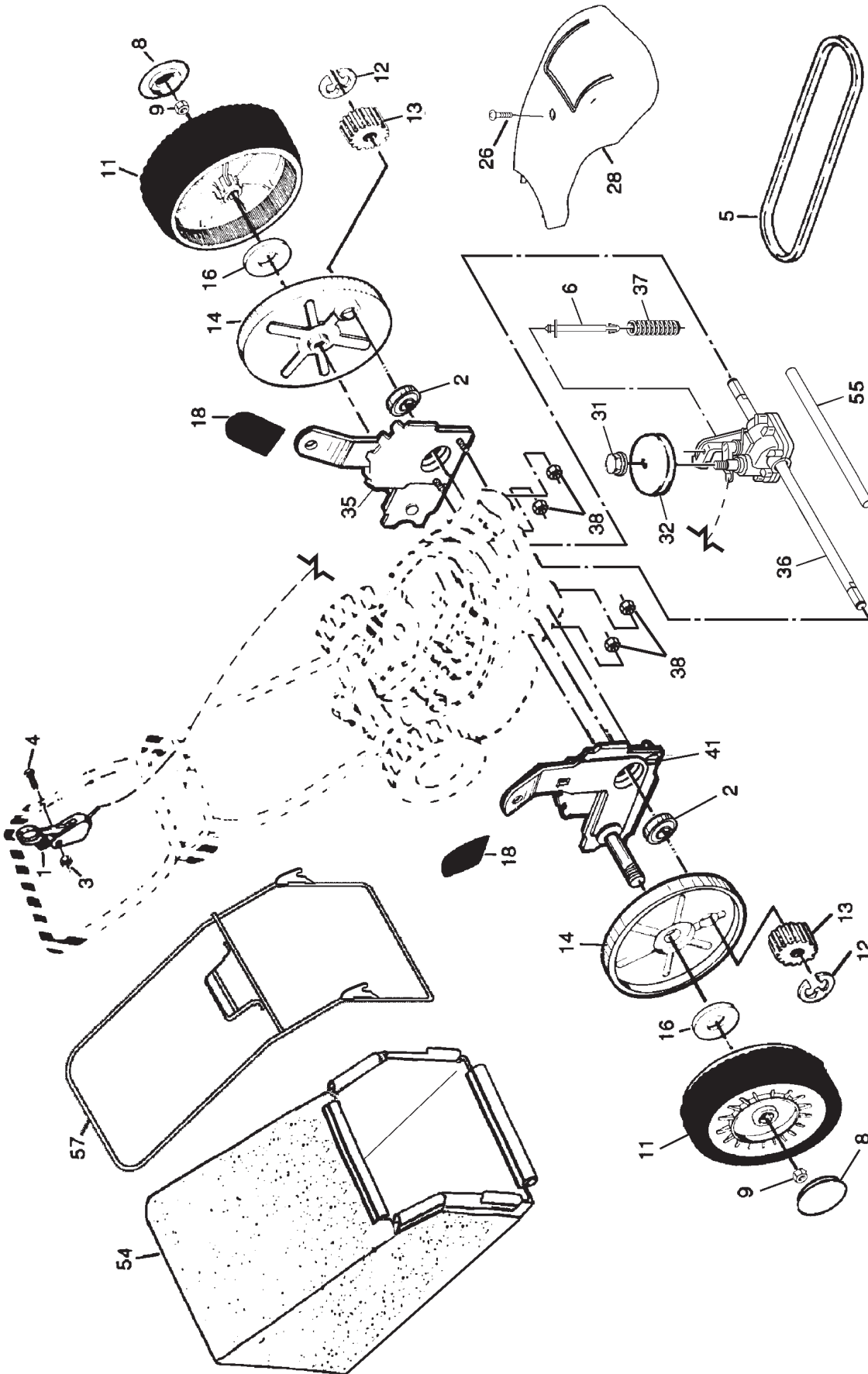


ROTARY LAWN MOWER - - MODEL NUMBER PR55Y21CHC

KEY NO.	PART NO.	DESCRIPTION	KEY NO.	PART NO.	DESCRIPTION
1	166862X479	Upper Handle	34	180412X004	Axle Arm Assembly LR
2	151721X479	Lower Handle	36	184193	Bolt
3	170287	Control Bar	37	150078	Thread Cutting Screw w/Sems 5/16-18 x 3/4
4	130861	Engine Zone Control Cable	38	183901	Washer
5	131959	Handle Bolt	43	175083	Bottom Belt Cover
6	170146	Handle Knob	44	176710	Lawn Mower Housing (Incl. Key #10, 11, 12& 45)
7	51793	Hairpin Cotter	45	107339X	Danger Deal
8	66426	Wire Tie	46	184590	Blade Adapter
9	180479	Rear Door Kit (Incl. Key #16 & 17)	47	175064	Blade 21"
10	128415	Pop Rivet	48	851074	Hardened Washer
11	175069X479	Support Bracket LH	49	850263	Helical Washer 3/8-24 x 1-3/8 Gr. 8
12	175070X479	Support Bracket RH	50	851084	Hex Head Machine Screw 3/8-24 x 1-3/8 Gr. 8
13	17060410	Screw 14-20 x 5/8	83	175066	Mulch Door
14	175576X479	Handle Bracket Assembly (Left)	84	175735	Hinge Bracket Assembly
15	175577X479	Handle Bracket Assembly (Right)	85	175285	Spring
16	180071	Spring LH	86	175650	Rod, Hinge
17	180072	Spring RH	87	73800400	Nut
18	132004	Keps Locknut 1/4-20	88	175071	Clipping Deflector
19	179585	Rope Guide	89	185496	Throttle Control
20	178398	Rear Skirt	90	144929	Screw
21	88652	Hinge Screw 1/4-20 x 1-1/4	91	180624	Hubcap
22	184941	Engine Pulley	92	132004	Nut, Hex
23	850848	Hi-Pro Key #505	--	162300	Warning Decal (Not Shown)
24	---	Engine, Honda, Model No. GCV160 (Order parts from engine manufacturer)	--	172787	Operator's Manual, English
25	150406	Hex Head Thread Rolling Srew 3/8-16 x 1-1/8	--	172788	Operator's Manual, French
26	83923	Hex Flange Nut	--	187135	Repair Parts Manual, English/French
27	180203	Wheel			
28	160828	Shoulder Bolt 5/16-18 x .33			
29	57143	Wave Washer			
30	180411X004	Axle Arm Assembly RR			
31	175478	Selector Knob			
32	175053X004	Selector Spring			
33	73800500	Nut 5/16-18			

NOTE: All component dimensions given in U.S. inches.
1 inch = 25.4 mm

ROTARY LAWN MOWER -- MODEL NUMBER PR55Y21CHC



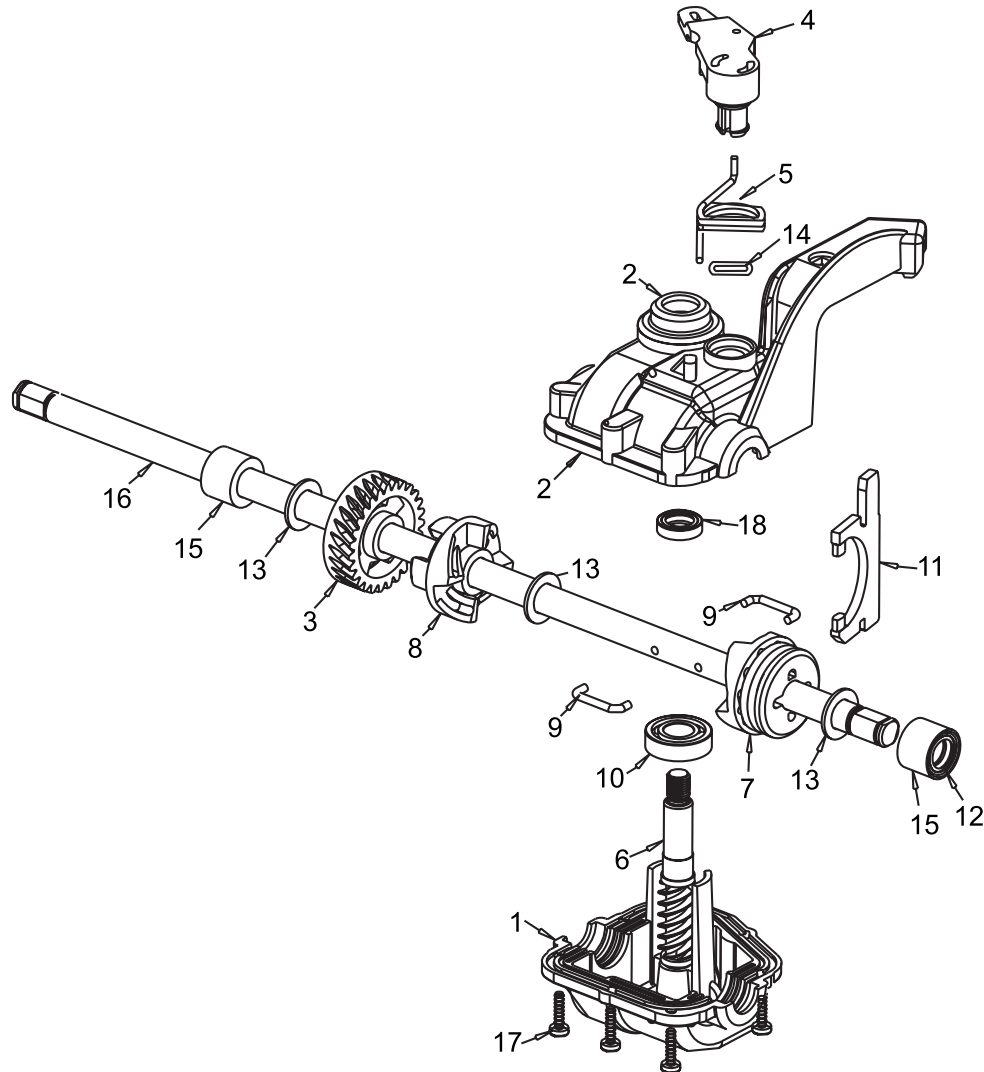
ROTARY LAWN MOWER - - MODEL NUMBER PR55Y21CHC

KEY NO.	PART NO.	DESCRIPTION	KEY NO.	PART NO.	DESCRIPTION
1	184587	Control Cable Assembly	28	180329	Drive Cover
2	167387	Bearing, Wheel Adjuster	31	132010	Hex Flange Nut
3	751152	Locknut #10-24	32	137052	Drive Pulley
4	158755	Hex Washer Head Screw 1/4-20 x 2.12	35	172291	Kit, Wheel Adjuster, LH (Includes Knob and Bearing)
5	175436	V-Belt	36	180184	Gear Case Assembly (See Breakdown)
6	150495	Spring Retainer	37	137090	Spring
8	180660	Hubcap	38	73800400	Locknut 1/4-20
9	145212	Locknut	41	172290	Kit, Wheel Adjuster, RH (Includes Knob and Bearing)
11	180767	Wheel & Tire Assembly	54	186027	Grassbag Assembly
12	12000058	E-Ring	55	175739	Driveshaft Cover
13	137054	Pinion	57	183993	Frame
14	180504	Dust Cover			
16	67725	Washer 1/2 x 1-1/2 x .134			
18	170143	Selector Knob			
26	175262	Pan Head Tapping Screw #10-24 x 2-3/4			

NOTE: All component dimensions given in U.S. inches.
1 inch = 25.4 mm

**ROTARY LAWN MOWER - - MODEL NUMBER PR55Y21CHC
GEARCASE ASSEMBLY - - PART NUMBER 180184**

**TONDEUSE À GAZON ROTATIVE - - NUMÉRO DE MODÈLE PR55Y21CHC
ENSEMBLE DE LA BOÎTE DE VITESSE - NUMÉRO DE PIÈCE 180184**



**KEY PART
NO. NO.**

1	183497	Case, Lower
2	183498	Case, Upper
3	183499	Gear, 27 Teeth
4	183500	Lever, Clutch
5	183501	Spring, Return
6	183502	Shaft, Input
7	183503	Dog, Movable
8	183504	Dog, Fixed
9	183505	Wire, Formed
10	183506	Bearing, Ball
11	183507	Fork, Shift
12	183508	Seal, Output Shaft
13	183509	Washer
14	183510	Seal, Case
15	183511	Bushing
16	183512	Shaft, Output
17	183513	Screw
18	183514	Seal, Input Shaft
--	183404	Kit, Gearcase Replacement (Includes Instructions)

DESCRIPTION

Boîte, Inférieur
Boîte, Supérieur
Engrenage, 27 Dents
Levier d'embrayage
Ressort de Rappel
Arbre d'entrée
Griffe, Amovible
Griffe, Fixe
Fil à Pince
Palier
Fourchette de Changement de Vitesse
Sceau, Arbre de Sortie
Rondelle
Sceau, Boîte
Douille
Arbre de Sortie
Vis
Sceau, Arbre d'entrée
Jeu, Remplacer, Boîte de Vitesse (Y compris le instructions)

NOTE: Use Dow Corning #709
to reseal Gear Case Halves.

REMARQUE: Utilizer Dow Corning #709
pour Sceau les Boîtes.