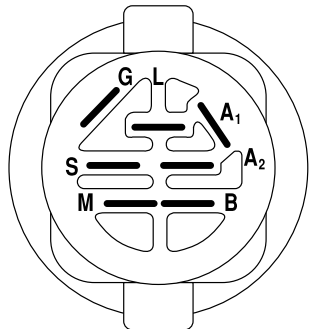
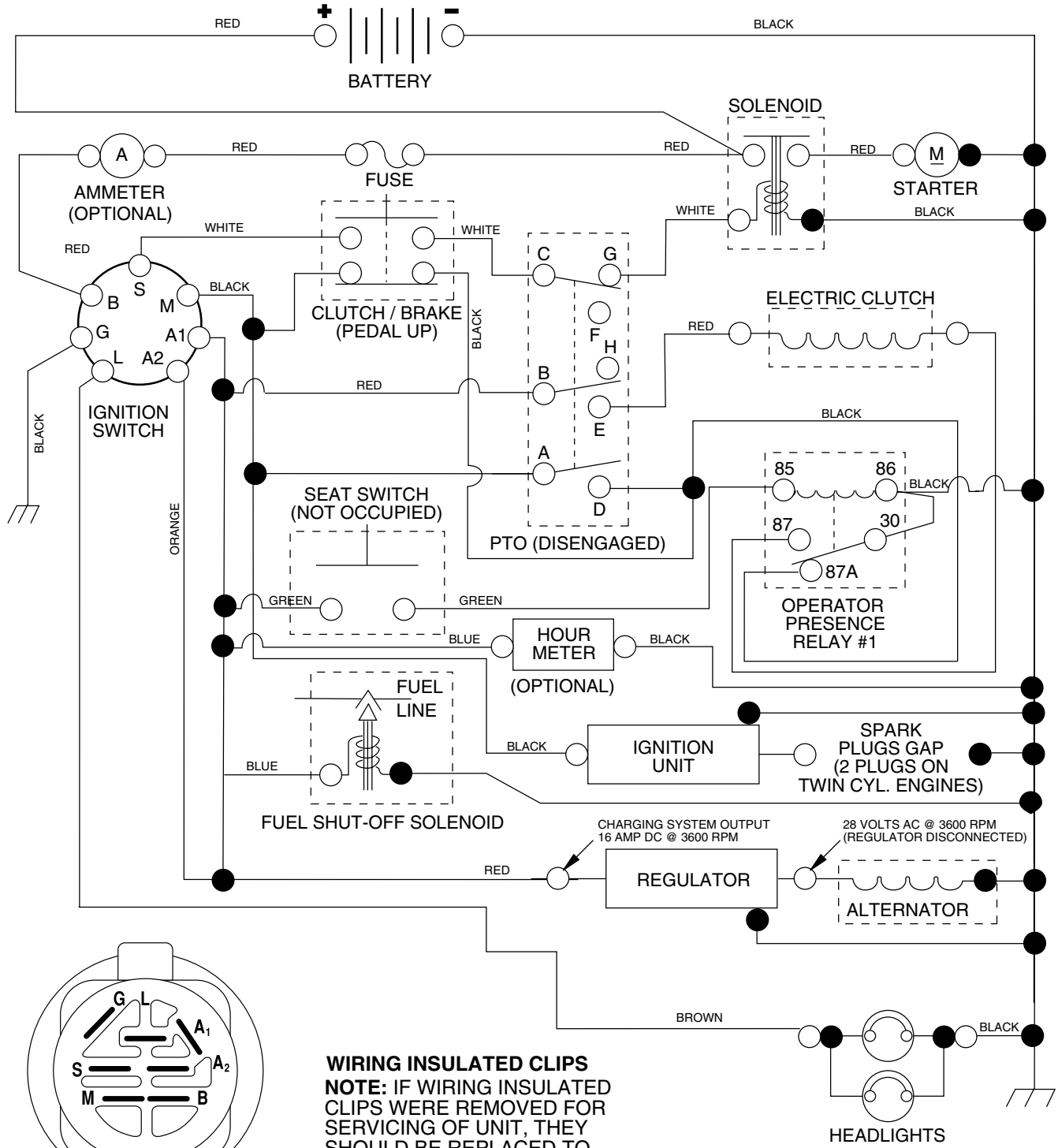


TRACTOR - MODEL NUMBER PR25PH48STA

SCHEMATIC



IGNITION SWITCH

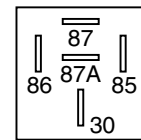
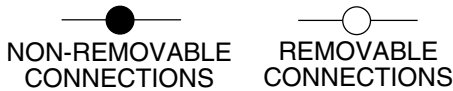
POSITION	CIRCUIT	"MAKE"
OFF	M+G+A1	NONE
RUN/LIGHT	B+A1	A2+L
RUN	B+A1	NONE
START	B + S + A1	NONE

WIRING INSULATED CLIPS

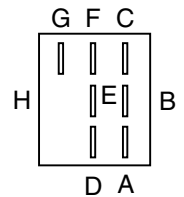
NOTE: IF WIRING INSULATED CLIPS WERE REMOVED FOR SERVICING OF UNIT, THEY SHOULD BE REPLACED TO PROPERLY SECURE YOUR WIRING.

PTO SWITCH

POSITION	CIRCUIT
OFF	C + G, B + H
ON	C + F, B + E, A + D



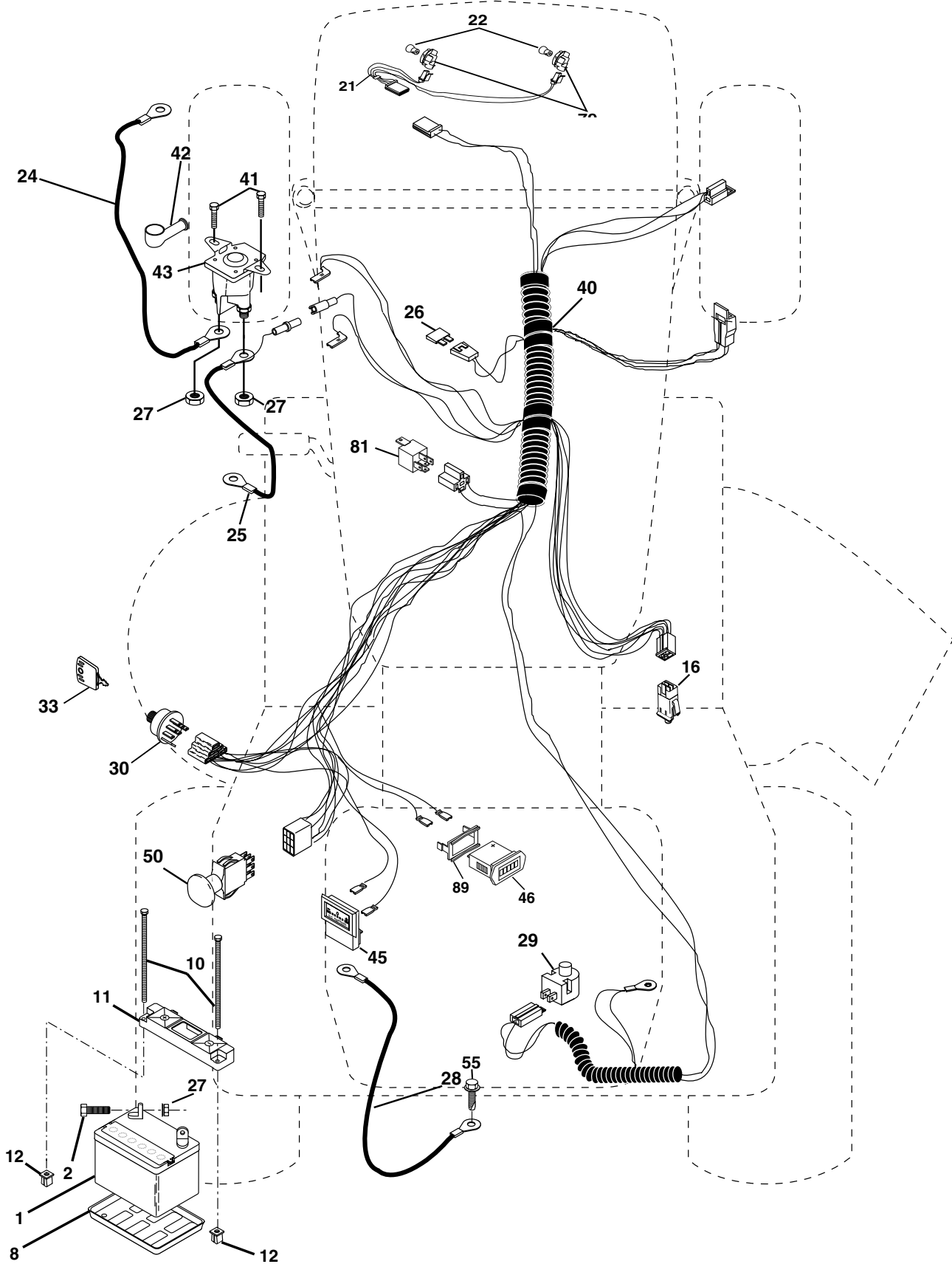
RELAY



REPAIR PARTS

TRACTOR - MODEL NUMBER PR25PH48STA

ELECTRICAL



REPAIR PARTS

TRACTOR - MODEL NUMBER PR25PH48STA

ELECTRICAL

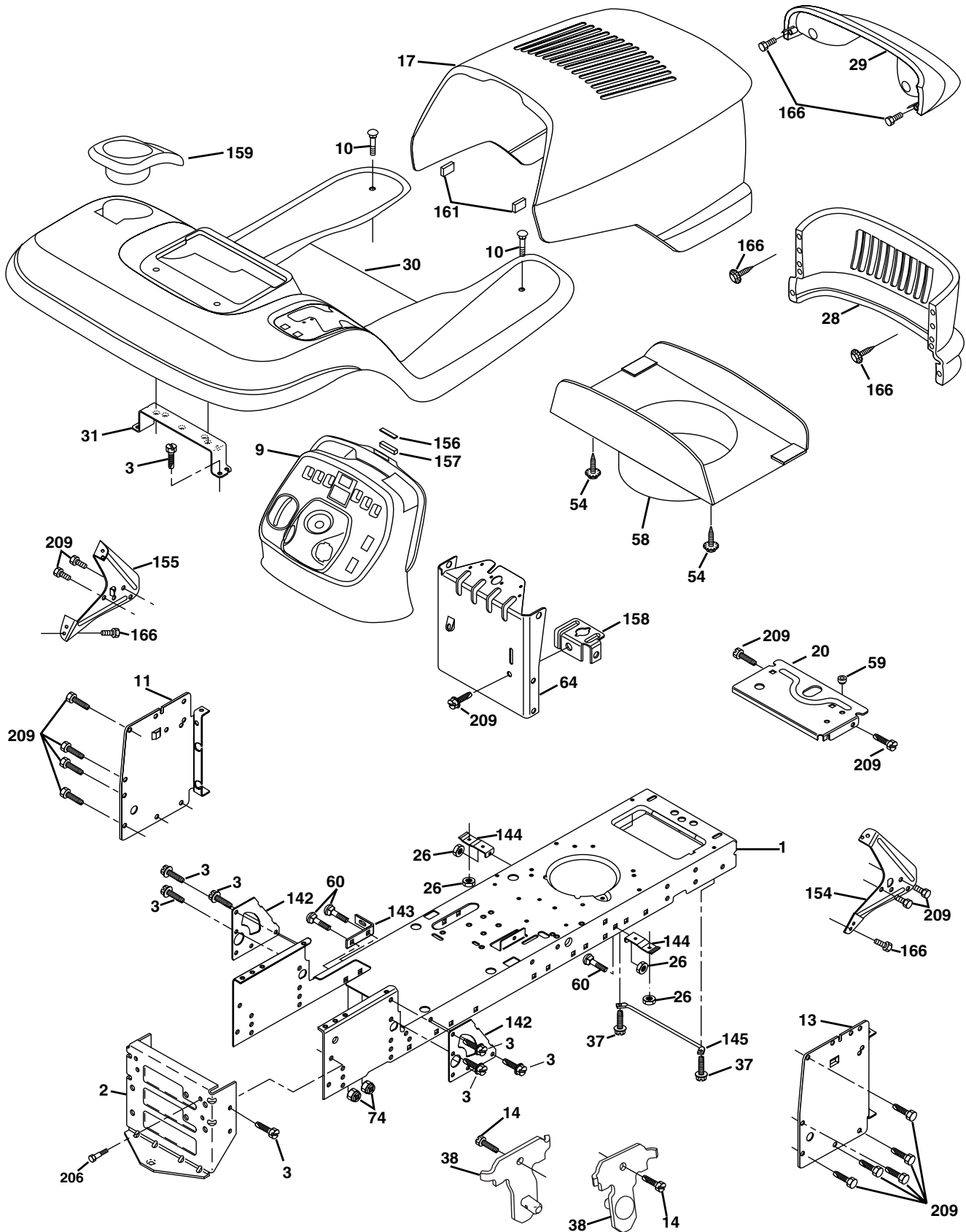
KEY NO.	PART NO.	DESCRIPTION
1	144927	Battery
2	74760412	Bolt Hex Hd 1/4-20 UNC X 3/4
8	7603J	Tray, Battery
10	145211	Bolt, BTR FRT 1/4-20 x 7.5
11	150109	Hold Down Battery, Front
12	145769	Nut, Push, Nylon
16	176138	Switch Interlock Push-In
21	175688	Harness Asm Light W/Bulbs
24	8860R	Cable Battery
25	146148	Cable Batterywire
26	175158	Fuse
27	73510400	Nut Keps Hex 1/4-20 Unc
28	145491	Cable Ground
29	160784	Switch Plunger Normal OP Olive
30	175566	Switch Ign 4 pos w/lights
33	140401	Key Ign
40	179736	Harness Ign.
41	17720408	Bolt Blk Fin Hex 1/4-20 x 1/2
42	131563	Cover Terminal Red
43	178861	Solenoid
45	122822X	Ammeter Rectangular
46	169635	Hourmeter Snap-In
50	174653	Switch, PTO
55	17490508	Screw Thdrol 5/16-18 x 1/2
79	175242	Bulbholder
81	109748X	Relay Asm
89	169639	Bracket Snap-In Hourmeter

NOTE: All component dimensions given in U.S. inches.
1 inch = 25.4 mm.

REPAIR PARTS

TRACTOR - MODEL NUMBER PR25PH48STA

CHASSIS AND ENCLOSURES



REPAIR PARTS**TRACTOR - MODEL NUMBER PR25PH48STA****CHASSIS AND ENCLOSURES**

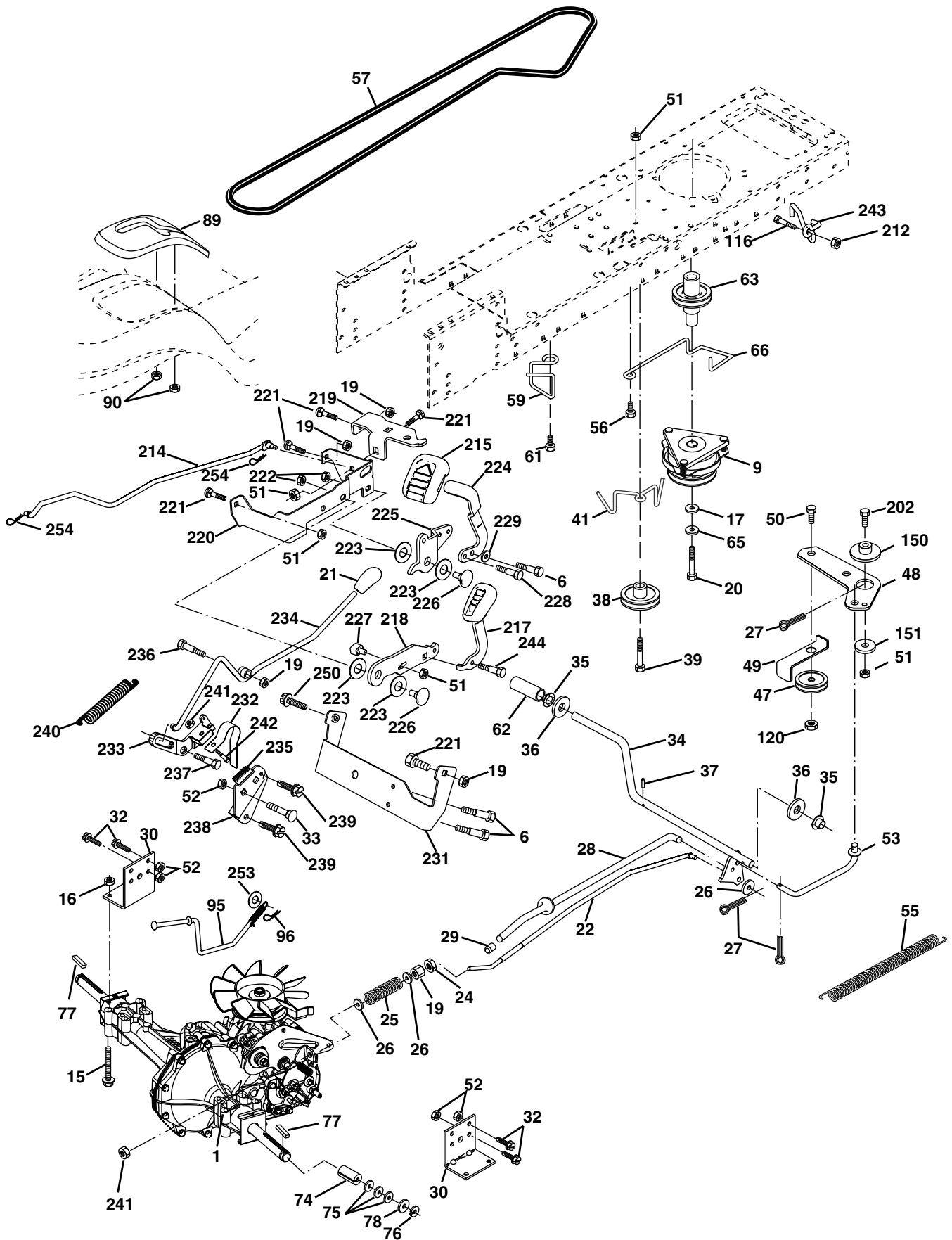
KEY NO.	PART NO.	DESCRIPTION
1	174619	Chassis
2	176554	Drawbar
3	17060612	Screw 3/8-16x3/4
9	163976X428	Dash
10	72140608	Bolt 3/8-16 x 1
11	167203	Panel Dash Lh
13	178298	Panel Dash Rh
14	17490608	Screw Thdrol 3/8-16 x 1/2
17	175260X428	Hood
20	162026	Plate Battery
25	19131312	Washer 13/32 X 13/16 X 12 Ga
26	73800600	Nut Lock Hex W/Ins 3/8-16 Unc
28	174515X428	Grille
29	179761	Light Box Asm w/Lens
30	175692X428	Fender
31	139976	Bracket Fender
37	17490508	Screw Thdrol 6/16-18 x 1/2 TYT
38	175710	Bracket, Asm. Pivot Mower Rear
54	161464	Screw Hex Wshd 8-18 x 7/8
58	175351	Duct Hood
59	177579	Bushing Snap
60	72140606	Bolt RdHd Sqnk 3/8-16 Unc x 3/4
64	174997	Dash Lower
74	73680600	Nut Crownlock 3/8-16 Unc
142	175702	Plate Reinforcement STL
143	154966	Bracket Swaybar Chassis
144	175582	Bracket Footrest
145	156524	Rod Pivot Chassis/Hood
154	161897	Bracket Dash Rh
155	161900	Bracket Dash Lh
156	163805	Striker Plate
157	163806	Magnet Stealth
158	162037	Bracket Parking Brake
159	155123X428	Cupholder
161	164655	Extrusion Bumper
166	164863	Screw HwHd Hi-Lo #13-16 x 3/4
206	170165	Bolt Shoulder 5/16-18
209	17000612	Screw Hexwsh Thdrol 3/8-16 x 3/4

NOTE: All component dimensions given in U.S. inches
1 inch = 25.4 mm

REPAIR PARTS

TRACTOR - MODEL NUMBER PR25PH48STA

DRIVE



REPAIR PARTS**TRACTOR - MODEL NUMBER PR25PH48STA****DRIVE**

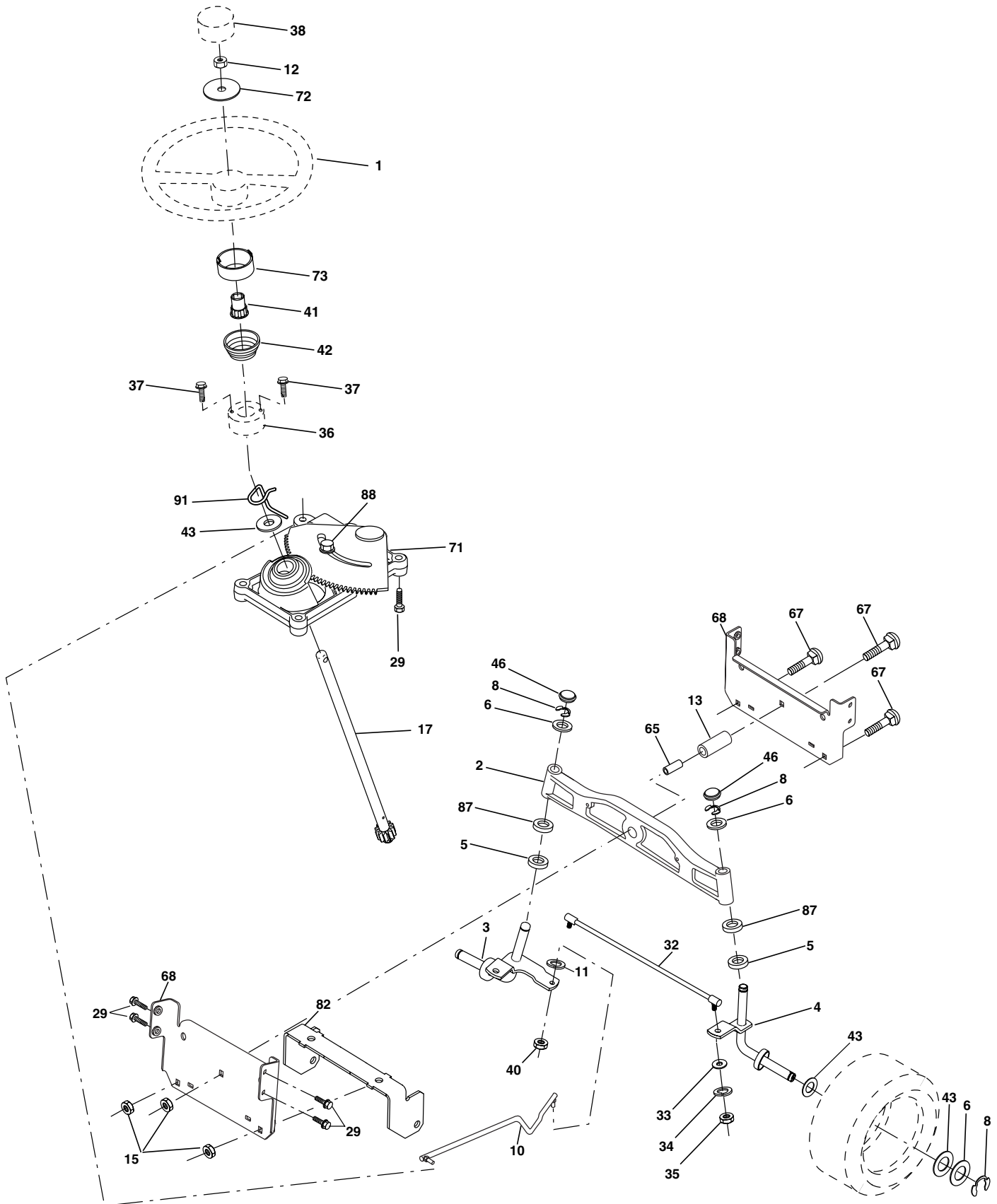
KEY NO.	PART NO.	DESCRIPTION	KEY NO.	PART NO.	DESCRIPTION
1	-----	Transaxle (Order parts from transaxle manufacturer)	77	123583X	Key, Square
		Hydro gear Model 323-0510	78	121748X	Washer 25/32 x 1-5/8 x 16 Ga.
6	17060512	Screw 5/16-18 x 3/4	89	174901X428	Console, Shift
9	174367	Clutch Elec	90	124346X	Nut Self-Thd Wsh-hd 1/4 Zinc
15	74490544	Bolt Hex Flghd 5/16-18 Gr. 5	95	180825	Rod Bypass
16	73800500	Nut Lock Hex W/Ins. 5/16-18 Unc	96	4497H	Retainer Spring 1" Zinc/Cad
17	126197X	Washer 1-1/2 OD x 15/32 ID x .250	116	72140608	Bolt RDHD SQNK 3/8-16 Unc x 1
			120	73900600	Nut Lock Flg 3/8-16 Unc
19	73800600	Nut Lock Hex W/Wsh 3/8-16 Unc	150	175456	Spacer Retainer
20	173937	Bolt Hex 7/16-20 x 4 x Gr. 5-1.5	151	19133210	Washer 13/32 x 2 x 10 Ga.
21	175036X421	Knob Custom Control Cruise	202	72110612	Bolt Carr Sh 3/8-16 x 1-1/2 Gr. 5
22	175896	Rod, Brake	212	145212	Nut HexFlange Lock
24	73350600	Nut, Hex Jam 3/8-16 Unc	214	174735	Link Transaxle
25	106888X	Spring, Brake Rod	215	175646	Cover Pedal Forward
26	19131316	Washer	217	179433	Pedal Reverse
27	76020412	Pin Cotter 1/8 x 3/4 CAD.	218	174713	Arm Control Pedal Reverse
28	175765	Rod, Parking Brake	219	174839	Bracket Frest Pdl Ctrl. Hyd
29	71673	Cap, Brake, Park	220	174711	Bracket Mtg. Pedal Control
30	169592	Bracket, Transaxle	221	72140606	Bolt Rdhd Sqnk 3/8-16 Unc x 3/4
32	74760512	Bolt Hex Hd 5/16-18 Unc x 3/4	222	73680700	Nut Crownlock 7/16-14 Unc
33	72140506	Bolt Rdhd Sqnk 5/16-18 Unc x 3/4	223	174840	Washer Nylon 11/16 ID x .060
34	175578	Shaft, Foot Pedal	224	174736	Pedal Forward
35	120183X	Bearing, Nylon	225	174712	Arm Control Pedal Forward
36	19211616	Washer	226	174902	Bolt Pivot Spacer
37	1572H	Pin, Roll	227	174710	Cam Reverse Pedal LT
38	179114	Pulley, Composite, Flat	228	179032	Bolt Shoulder 5/16-18
39	74760648	Bolt Fin Hex 3/8-16 Unc x 3	229	176451	Washer Serrated 5/16 x .75
41	175556	Keeper, Belt Idler Flat	231	174573	Strap Torque
47	127783	Pulley, Idler, V-Groove	232	175570	Actuator Cruise Disengage
48	154407	Bellcrank Clutch Grnd Drw Stl	233	174856	Pawl Control Cruise
49	123205X	Retainer, Belt	234	174858	Lever Control Cruise
50	74760624	Bolt	235	174857	Sector Control Cruise
51	73680600	Nut Crownlock 3/8-16 UNC	236	128903	Bolt Shoulder 3/8-16 Unc 1/44
52	73680500	Nut, Crownlock 5/16-18 Unc	237	170165	Bolt Shoulder 5/16-18
53	105710X	Link, Clutch	238	175807	Arm Mtg. Cruise Sector
55	105709X	Spring, Return, Clutch	239	17490508	Screw Thdrol 5/16 x 1/2
56	17060620	Screw 3/8-16 x 1-1/4	240	175610	Spring Return Cruise Control
57	140294	V-Belt, Ground Drive	241	73930400	Nut Centerlock 1/4-20 Unc
59	169691	Keeper, Center Span	242	74780412	Bolt Fin Hex 1/4-20 Unc x .75
61	17120614	Screw 3/8-16 x .875	243	178289	Bracket Anti-Rotation CVX
62	8883R	Cover, Pedal	244	166880	Screw 5/16-18 x 5/8
63	175417	Pulley, Engine	250	17060612	Screw 3/8-16 x .75
65	10040700	Washer	253	179422	Washer .3125 x .615 x 16 Ga.
66	154778	Keeper Belt Engine			
74	137057	Spacer, Axle			
75	121749X	Washer 25/32 x 1-1/4 x 16 Ga.			
76	12000001	E-Ring			

NOTE: All component dimensions give in U.S. inches.
1 inch = 25.4 mm

REPAIR PARTS

TRACTOR - MODEL NUMBER PR25PH48STA

STEERING ASSEMBLY



REPAIR PARTS**TRACTOR - MODEL NUMBER PR25PH48STA****STEERING ASSEMBLY**

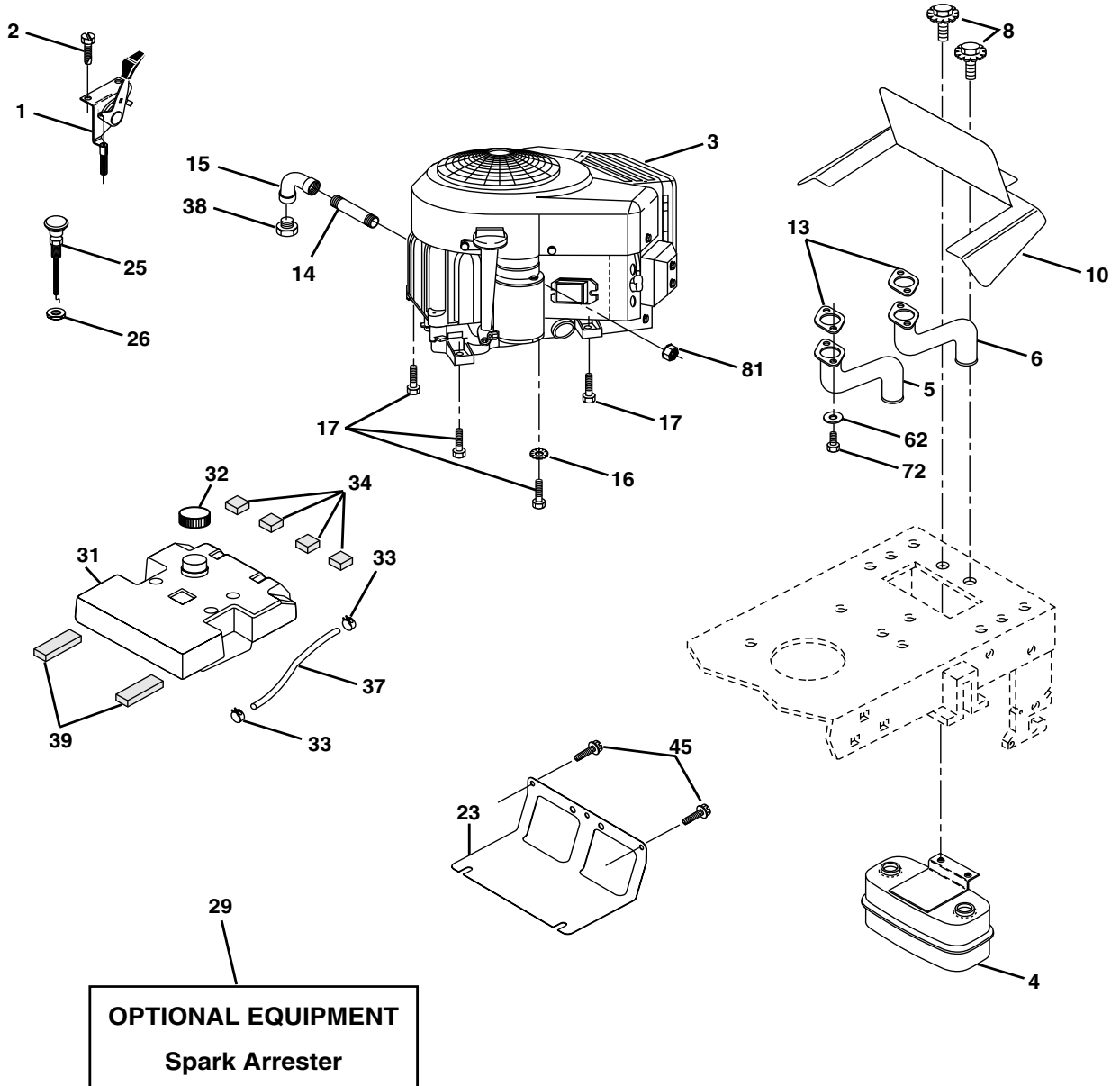
KEY NO.	PART NO.	DESCRIPTION
1	159944X428	Wheel Steering
2	172393	Axle Cast Lt Machined
3	169840	Spindle Asm LH
4	169839	Spindle Asm RH
5	6266H	Bearing Race Thrust Harden
6	121748X	Washer 25/32 X 1-5/8 X 16 Ga
8	12000029	Ring Klip #t5304-75
10	175121	Link Drag
11	10040600	Washer Lock Hvy Hlcl Spr 3/8
12	73940800	Nut Hex Jam Toplock 1/2-20 UNF
13	136518	Spacer Brg Axle Front
15	145212	Nut Hex Flange Lock
17	177883	Shaft Asm Strg
29	17060612	Screw 3/8-16x3/4
32	170162	Rod Tie
33	19111216	Washer 11/32 x 3/4 x 16 Ga.
34	10040500	Washer Lock Hry Hlcl Spr 5/16
35	73540500	Nut Crownlock 5/16 - 24 UNF
36	155105	Bushing Strg
37	152927	Screw TT #32.5 x 5 x 3/8 Flange
38	159946X428	Cap Wheel Steer
40	7810H	Nut Lock Center 3/8-24 Unf
41	159945	Adaptor Wheel Strg
42	163888X428	Boot Steering
43	121749X	Washer 25/32 X 1 1/4 X 16 Ga
46	121232X	Cap Spindle Fr Top Blk
65	160367	Spacer Brace Axle
67	72140618	Bolt Rdhd Sqn 3/8-16 x 2-1/4
68	169827	Brace, Axle
71	175146	Steering Asm.
72	19182411	Washer 9/16 ID x 1/20 OD 11 Ga.
73	160135X428	Extension Steering
82	169835	Bracket Susp Chassis Front
87	173966	Washer Flat .781 x 1-1/2 x .14
88	175118	Bolt Shoulder 7/16-20 Unc
91	175553	Clip

NOTE: All component dimensions given in U.S. inches.
1 inch = 25.4 mm.

REPAIR PARTS

TRACTOR - MODEL NUMBER PR25PH48STA

ENGINE



KEY NO.	PART NO.	DESCRIPTION
1	175437X428	Control Throttle
2	164863	Screw HwHd Hi-Lo #13-16 x 3/4
3	-----	Engine, Briggs Model 445777 (Order parts from engine mfg.)
4	149723	Muffler Asm Twin Lo-Tone
5	159955	Pipe Exhaust LH Intek
6	160589	Pipe Exhaust RH Intek
8	171877	Bolt 5/16-18 UNC x 3/4 w/Sems
10	162797	Shield Browning Intek II
13	165391	Muffler Gasket
14	13280336	Nipple Pipe 3/8 NPT x 4-1/2"
15	13200300	Elbow STD 90 Degree 3/8-18 NPT
16	11050600	Washer Lock Ext Tooth 3/8
17	17060624	Screw Thdrol 3/8-16 x 1-1/2
23	169837	Shield Heat
25	175440X428	Choke Control

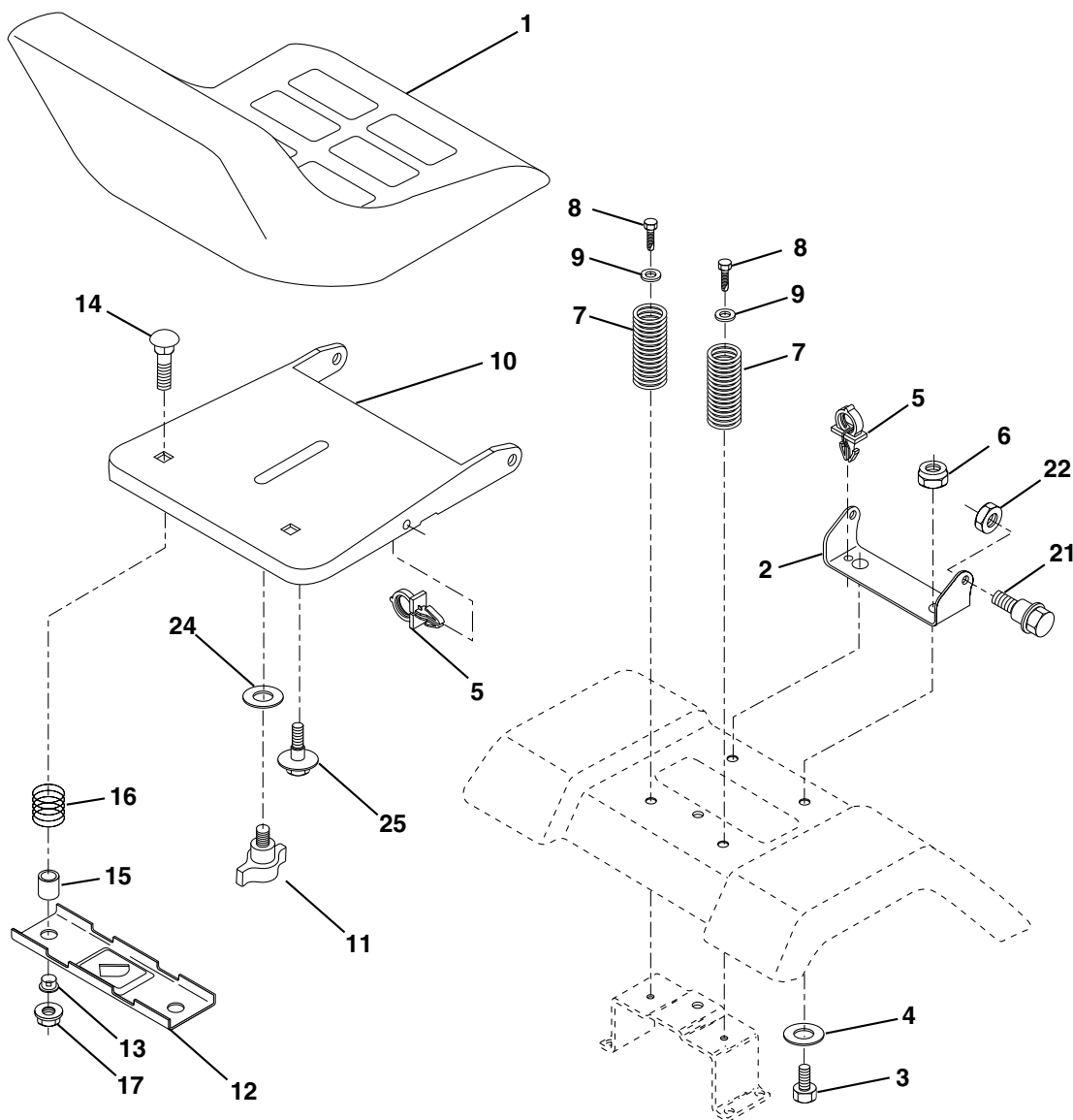
KEY NO.	PART NO.	DESCRIPTION
26	73920600	Nut, Keps 3/8-24 UNF
29	137180	Kit Spark Arrestor (Flat Scrn)
31	157103	Tank Fuel 3 50 Rear
32	140527	Cap Asm Fuel W/sym Vented
33	123487X	Clamp Hose Black
34	106082X	Pad, Spacer
37	8543R	Line Fuel
38	-----	Plug Drain Oil (Order Parts From Engine Manufacturer)
39	109227X	Pad, Idler
45	17000612	Screw Hexwsh Thdr 3/8-16 x 3/4
62	10040500	Washer Lock 5/16
72	71070512	Screw Hex Hd Cap 5/16-18 x 3/4
81	73510400	Nut Keps Hex 1/4-20 UNC

NOTE: All component dimensions given in U.S. inches
1 inch = 25.4 mm

REPAIR PARTS

TRACTOR - MODEL NUMBER PR25PH48STA

SEAT ASSEMBLY



KEY NO.	PART NO.	DESCRIPTION
1	171684	Seat
2	140551	Bracket Pivot Seat 8 720
3	71110616	Bolt Fin Hex 3/8-16 Unc x 1
4	19131610	Washer Flat 13/32 x 1 x 10 Ga.
5	145006	Clip Push-In
6	73800600	Nut Hex w/Ins. 3/8-16 Unc
7	124181X	Spring Seat Cprsn 2 250 Blk Zi
8	17000616	Screw 3/8-16 x 1
9	19131614	Washer 13/32 x 1 x 14 Ga.
10	174894	Pan Seat
11	166369	Knob Seat Adj. Wingnut
12	121246X	Bracket Mounting Switch

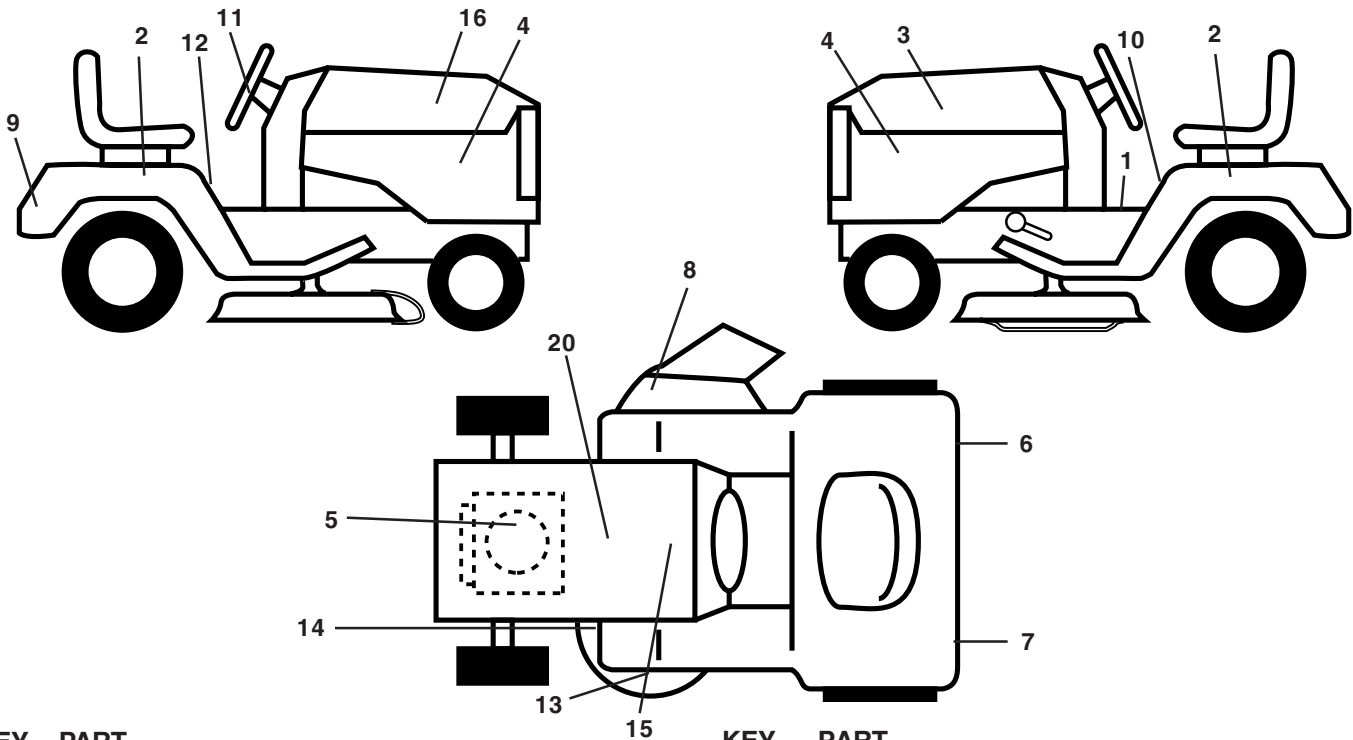
KEY NO.	PART NO.	DESCRIPTION
13	121248X	Bushing Snap Blk Nyl 50 Id
14	72050412	Bolt Rdhd Sqnk 1/4-20x1-1/2
15	121249X	Spacer Split 28x 88
16	123740X	Spring Cprsn
17	123976X	Nut Lock 1/4 Lge Flg Gr 5 Zinc
21	171852	Bolt Shoulder 5/16-18 Unc
22	73800500	Nut Hex Lock W/Ins 5/16-18
24	19171912	Washer 17/32 X 1-3/16 X 12 Ga.
25	127018X	Bolt Shoulder 5/16-18 X 62

NOTE: All component dimensions given in U.S. inches.
1 inch = 25.4 mm

REPAIR PARTS

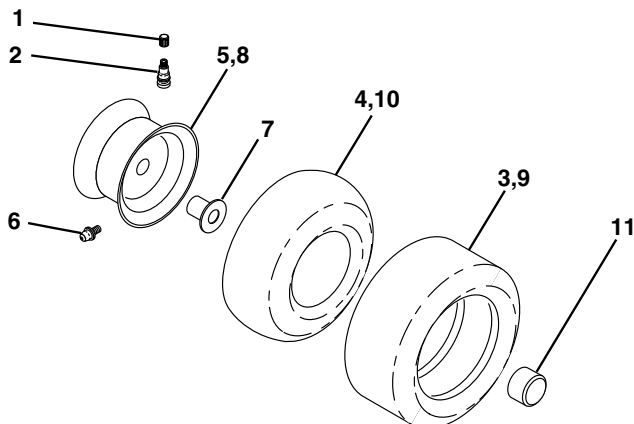
TRACTOR - MODEL NUMBER PR25PH48STA

DECALS



KEY NO.	PART NO.	DESCRIPTION	KEY NO.	PART NO.	DESCRIPTION
1	164097	Decal Dash	12	177982	Decal Fender Oper Cruise
2	176303	Decal Fender Auto	13	178502	Decal Deck Caution
3	176273	Decal Hood LH	14	175291	Decal V-Belt Schematic
4	181085	Decal Side Panel	15	180894	Decal Final
5	180975	Decal HP Engine	16	176272	Decal Hood Rh
6	173587	Decal Reflector Rh	20	145005	Decal Bat Dan/Psn
7	173589	Decal Reflector Lh	--	169210	Decal By Pass Lt Hydro
8	170563	Decal Warning Mower	--	174998X428	Pad Footrest Lh
9	172740	Decal Fender Logo	--	138311	Decal Handle Lft Height Adjust
10	157140	Decal Fender Danger E/F	--	175542X428	Pad Footrest Rh
11	172743	Decal Ins Strg Whl	--	180278	Manual Owner's (English)
			--	180279	Manual Owner's (French)

WHEELS & TIRES



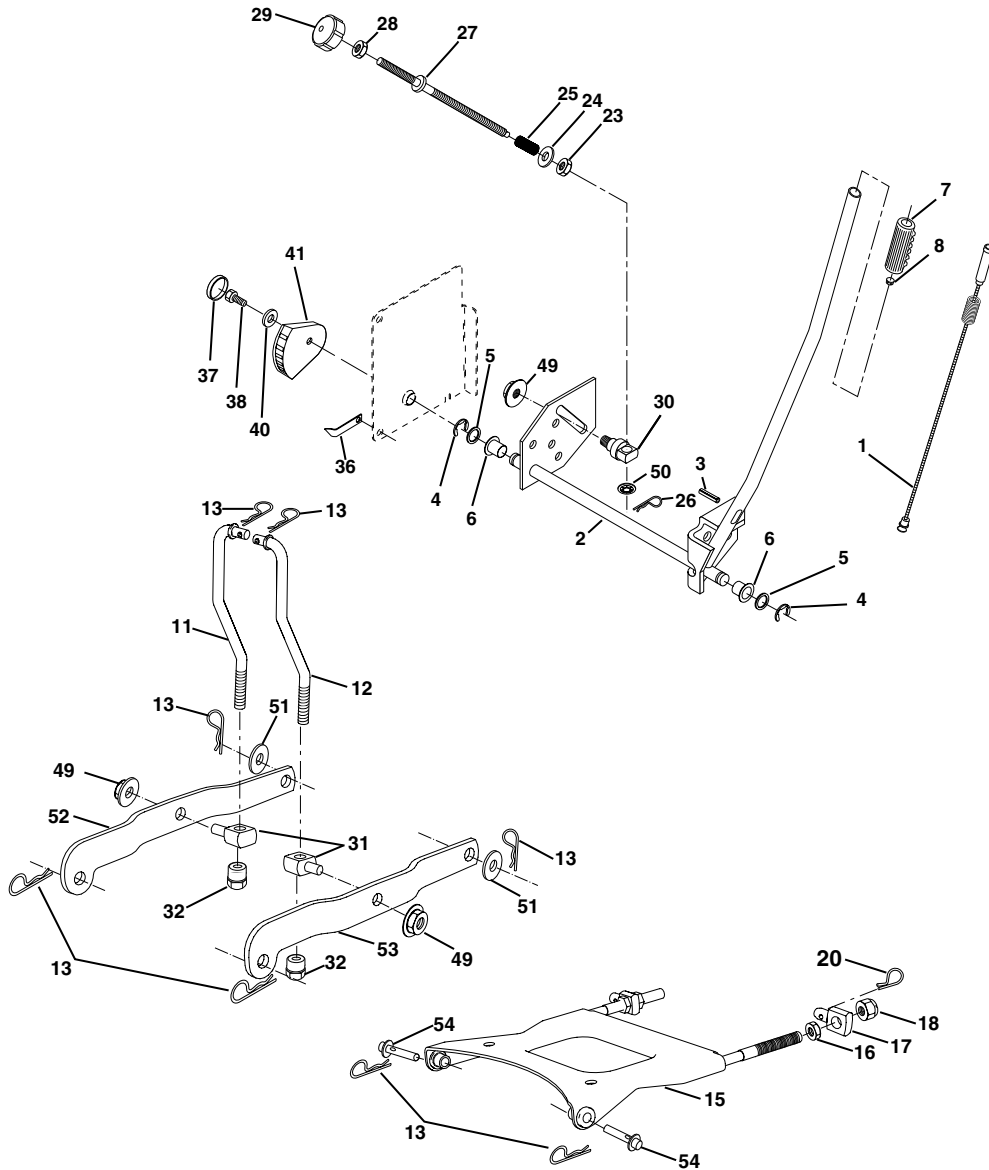
KEY NO.	PART NO.	DESCRIPTION
1	59192	Cap Valve Tire
2	65139	Stem Valve
3	170455	Tire F T 15 X 6 0 - 6 Service
4	59904	Tube Front (Service Item Only)
5	106732X421	Rim Asm 6"front Service
6	278H	Fitting Grease (Front Wheel Only)
7	9040H	Bearing Flange (Front Wheel Only)
8	106108X421	Rim Asm 8"rear Service
9	170456	Tire R T 20x10 -8 C Service
10	7152J	Tube Rear (Service Item Only)
11	104757X421	Cap Axle 1 50 X 1 00
--	144334	Sealant, Tire (10 oz. Tube)

NOTE: All component dimensions given in U.S. inches
1 inch = 25.4 mm

REPAIR PARTS

TRACTOR - MODEL NUMBER PR25PH48STA

MOWER LIFT



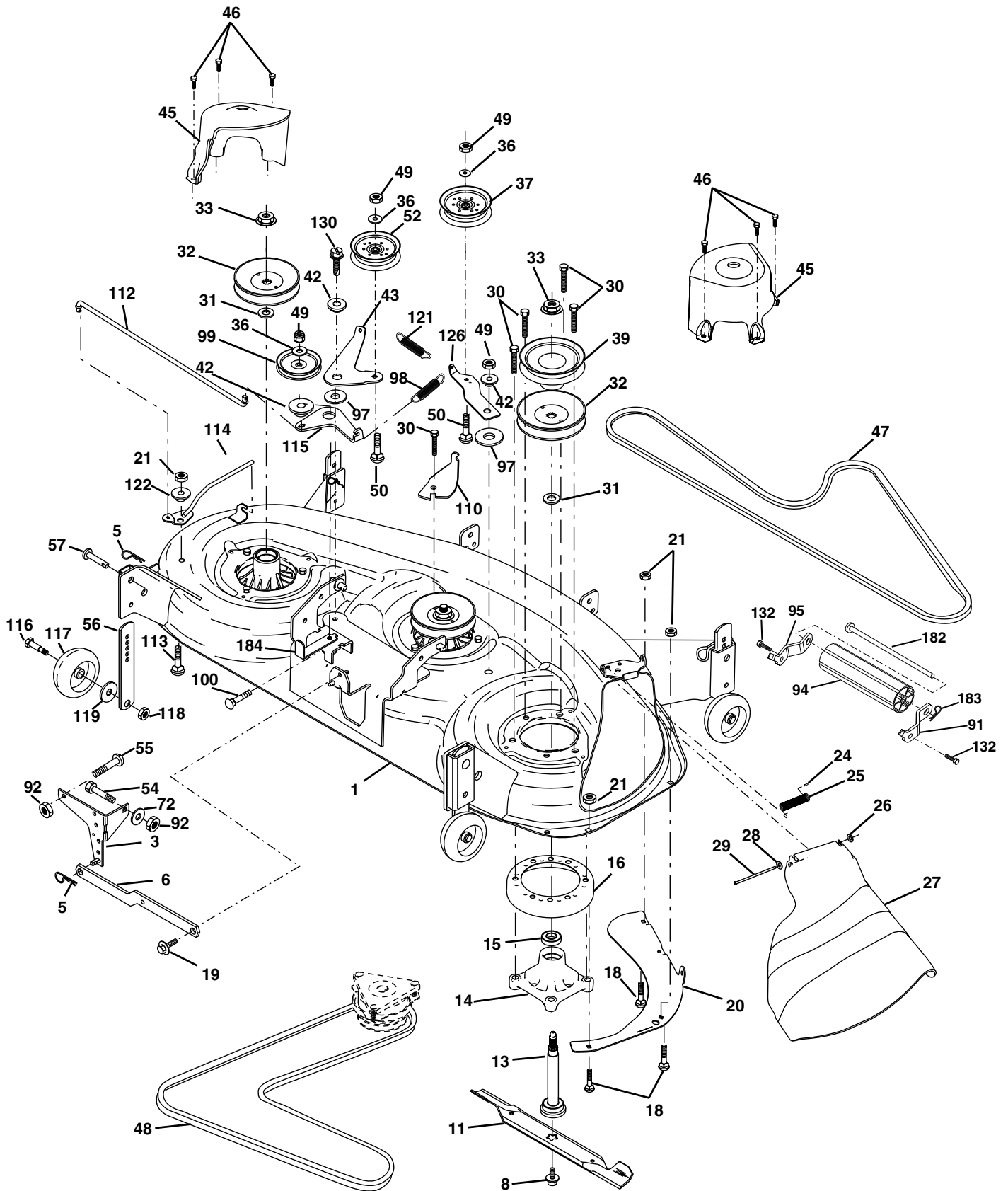
KEY NO.	PART NO.	DESCRIPTION	KEY NO.	PART NO.	DESCRIPTION
1	159461	Wire Asm Inner/Sprg W/plunger	27	164543	Rod Adj Lift
2	159476	Shaft Asm Lift RH w/Inf	28	73350600	Nut Hex Jam 3/8-16 Unc
3	138284	Pin Groove	29	138057	Knob Inf 3/8-16 Unc Blk W/sym
4	12000002	E Ring #5133-62	30	150233	Trunnion Infin Height
5	19211621	Washer 21/32 X 1 X 21 Ga	31	176205	Trunnion Susp. Arm
6	120183X	Bearing Nylon Blk 629 Id	32	175994	Nut Lift Link 7/16-20
7	125631X	Grip Handle	36	155097	Pointer Height Indicator
8	170770	Button Plunger	37	123935X	Plug Hole Blk 1.485/1.515 Dia.
11	175370	Link Lift LH	38	17060516	Screw 5/16-18 x 1
12	175371	Link Lift RH	40	19112410	Washer 11/32 x 1-1/2 10 Ga.
13	4939M	Retainer Spring	41	155098	Indicator Height STLT
15	175562	Plate Asm. Suspension Front	49	145212	Nut Hex Flange Lock
16	73350800	Nut Jam Hex 1/2-13 Unc	50	110452X	Nut PUSh Phos & Oil
17	175689	Trunnion Front Susp.	51	19171416	Washer 17/32 x 7/8 x 16 Ga.
18	73800800	Nut Lock w/Wsh 1/2-13unc	52	175378	Arm Susp. Rear LH
20	163552	Retainer Spring	53	175802	Arm Susp. Rear RH
23	110807X	Nut Special	54	175560	Pin
24	19131016	Washer 13/32 X 5/8 X 16 Ga			
25	164024	Spring			
26	169484	Retainer Clip			

NOTE: All component dimensions given in U.S. inches
1 inch = 25.4 mm

REPAIR PARTS

TRACTOR - MODEL NUMBER PR25PH48STA

MOWER DECK



REPAIR PARTS**TRACTOR - MODEL NUMBER PR25PH48STA****MOWER DECK**

KEY NO.	PART NO.	DESCRIPTION	KEY NO.	PART NO.	DESCRIPTION
1	180358X421	Deck Weldment Mower 48	54	74780616	Bolt Fin Hex 3/8-16 x 1
3	138017	Bracket Asm., Sway Bar	55	72140608	Bolt Carriage Sqkn. 3/8-16 x 1
5	4939M	Retainer Spring	56	155986	Bar Pnt Adj.
6	178024	Arm, Suspension, Rear Sway Bar Deck	57	156941	Pin Head Rivet
8	174365	Bolt 7/16 Asm. Blade	72	19131312	Washer 13/32 x 13/16 x 12 Ga.
11	180054	Blade	91	180535	Bracket, Asm Noseroller, RH
13	174360	Shaft Asm. w/Lower Bearing	92	73800600	Nut Lock Hex 3/8-16
14	174358	Mandrel Asm. Housing	94	176066	Noseroller
15	110485X	Bearing, Ball, Mandrel	95	180534	Bracket, Asm Noseroller LH
16	174493	Stripper Mandrel Deck	97	133943	Washer Hardened
17	72110610	Bolt RDHD Sq Neck 3/8-16 x 1.25	98	174371	Spring Primary Drive
18	72140505	Bolt, Carriage 5/16-18 x 5/8	99	175080	Pulley Idler"V"
19	132827	Bolt, Hex Hd, Shoulder 5/16-18	100	72110616	Bolt RDHD Sqkn 3/8-16 UNC x 2
20	174378	Baffle, Vortex Mower	107	175294	Baffle Vac Edge Mower
21	73680500	Nut, Crownlock 5/16-18 UNC	108	72140404	Bolt RDHD Sqkn 1/4-20 x 1/2
24	105304X	Cap, Sleeve	109	73680400	Nut Crownlock 1/4-20
25	178102	Spring, Torsion	110	175016	Arm Spring Secondary
26	110452X	Nut, Push	112	174387	Link Tension Relief Lever
27	180655X428	Deflector Shield	113	72110508	Bolt Carr. 5/16-18 x 1
28	19111016	Washer 11/32 x 5/8 x 16 Ga.	114	174384	Tension Asm. Relief Lever
29	131491	Rod, Hinge	115	174609	Arm Spring Tension Relief
30	173984	Screw, Thdroll Washer Head	116	137644	Bolt, Shoulder
31	129963	Washer, Spacer Mower Vented	117	133957	Gauge Wheel
32	177865	Pulley, Mandrel	118	73930600	Nut, Centerlock 3/8-16 UNC
33	178342	Nut, Flg. Top Lock Cntr. 9/16	119	19121414	Washer 3/8 x 7/8 x 14 Ga.
36	19131316	Washer 13/32 x 13/16 x 16 Ga.	121	174371	Spring Secondary Drive
37	177968	Pulley, Idler, Flat	122	174606	Bushing Pivot Tension Relief
39	174375	Pulley, Idler, Driven	126	174372	Arm, Idler, Primary Deck
42	122052X	Spacer, Retainer	130	17000616	Screw 3/8-16 x 1.0
43	174373	Arm, Idler Secondary	132	17060612	Screw 3/8-16 x .75
45	174343	Cover, Mandrel Deck	182	179127	Rod Roller Nose
46	137729	Screw, Thdroll. 1/4-20 x 5/8	183	163552	Retainer Spring
47	180808	V-Belt, Mower, Secondary	184	173979	Keeper Belt Idler
48	174368	V-Belt, Mower, Primary	--	180939	Relplacement Mower, Complete
49	73680600	Nut, Crownlock 3/8-16 UNC	--	174356	Mandrel Asm. Service
50	72110612	Bolt, Carr. 3/8-16 x 1-1/2 Gr. 5			(Includes Key Nos. 13-15 and 33)
52	175820	Pulley Idler Flat			

NOTE: All component dimensions given in U.S. inches
1 inch = 25.4 mm