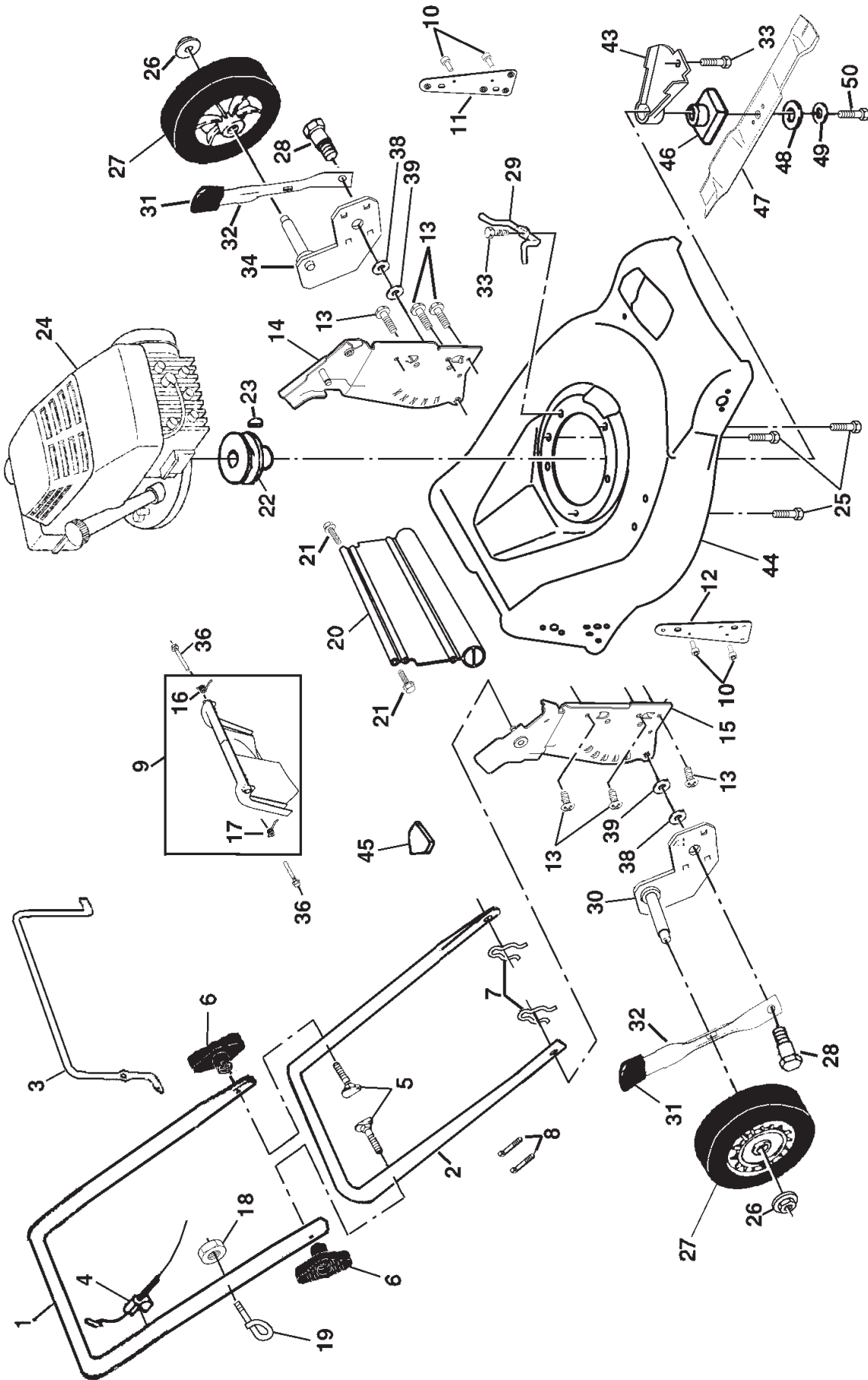


ROTARY LAWN MOWER -- MODEL NUMBER PO6TY21RA

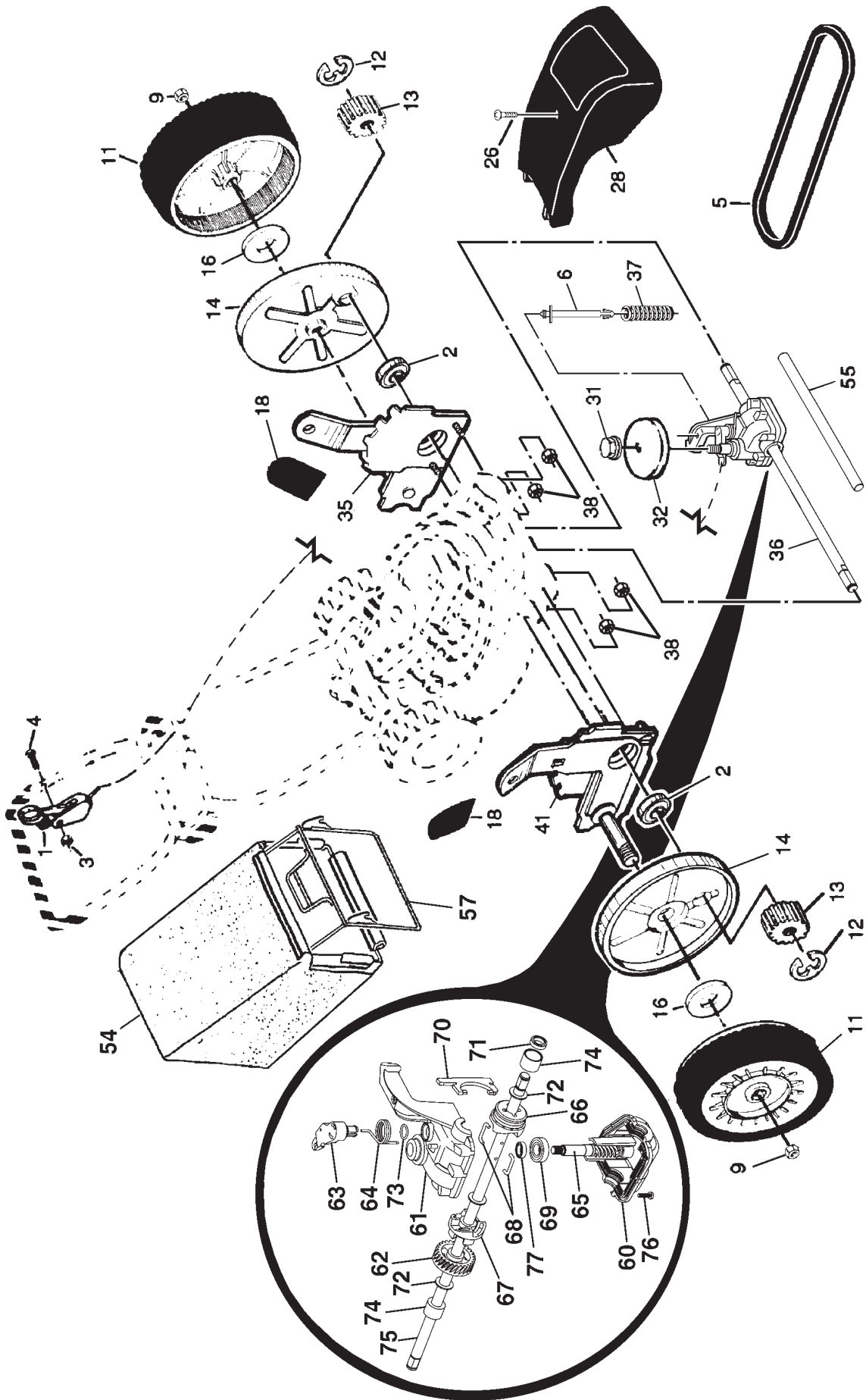


ROTARY LAWN MOWER - - MODEL NUMBER PO6TY21RA

KEY NO.	PART NO.	DESCRIPTION	KEY NO.	PART NO.	DESCRIPTION
1	183496X479	Upper Handle	26	83923	Hex Flange Nut
2	151721X479	Lower Handle	27	149838	Wheel
3	146771	Control Bar	28	189312	Shoulder Bolt 5/16-18 x .33
4	175148	Engine Zone Control Cable	29	188839X004	Mounting Bracket, Debris Shield
5	131959	Handle Bolt	30	186575X004	Axle Arm Assembly, RR
6	136376	Handle Knob	31	87877	Selector Knob
7	51793	Hairpin Cotter	32	175060X004	Selector Spring
8	66426	Wire Tie	33	188040	Screw
9	180479	Rear Door Kit (Includes Key #16 and 17)	34	186576X004	Axle Arm Assembly, LR
10	128415	Pop Rivet	36	184193	Bolt
11	175069X479	Support Bracket, LH	38	176185	Washer, Step
12	175070X479	Support Bracket, RH	39	176235	Pushnut
13	17060410	Screw 14-20 x 5/8	43	188784	Debris Shield
14	175082X479	Handle Bracket Assembly, LH	44	190541	Kit, Lawn Mower Housing (Includes Key Numbers 10, 11, 12 and 45)
15	175081X479	Handle Bracket Assembly, RH	45	107339X	Danger Decal
16	180071	Spring, LH	46	184590	Blade Adapter
17	180072	Spring, RH	47	189028	Blade 21"
18	132004	Keys Locknut 1/4-20	48	851074	Hardened Washer
19	179585	Rope Guide	49	850263	Helical Washer 3/8-24 x 1-3/8 Grade 8
20	189005	Rear Skirt	50	851084	Hex Head Machine Screw 3/8-24 x 1-3/8 Grade 8
21	88652	Hinge Screw 1/4-20 x 1-1/4	--	162300	Warning Decal (not shown)
22	184941	Engine Pulley	--	172787	Operator's Manual, English
23	187723	Hi-Pro Key	--	172788	Operator's Manual, French
24	- - -	Engine, Tecumseh, Model Number LV195 (For engine service and replacement parts, call Tecumseh Products at 1-800-558-5402)	--	190494	Repair Parts Manual, English / French
25	150406	Screw, Hex Head, Thread Rolling 3/8-16 x 1-1/8			

NOTE: All component dimensions given in U.S. inches.
1 inch = 25.4 mm

ROTARY LAWN MOWER -- MODEL NUMBER PO6TY21RA



ROTARY LAWN MOWER - - MODEL NUMBER PO6TY21RA

KEY NO.	PART NO.	DESCRIPTION	KEY NO.	PART NO.	DESCRIPTION
1	184588	Control Cable Assembly	55	175739	Driveshaft Cover
2	167387	Bearing, Wheel Adjuster	57	188815	Frame, Grassbag
3	191730	Nut, Hex, Flanged 1/4-20	60	183497	* Case, Lower
4	158755	Hex Washer Head Screw 1/4-20 x 2.12	61	183498	* Case, Upper
5	175436	V-Belt	62	183499	Gear, 27 Teeth
6	150495	Spring Retainer	63	183500	Lever, Clutch
9	145212	Locknut	64	183501	Spring, Return
11	180776	Wheel & Tire Assembly	65	183502	Shaft, Input
12	12000058	E-Ring	66	183503	Dog, Movable
13	137054	Pinion	67	183504	Dog, Fixed
14	180504	Dust Cover	68	183505	Wire, Formed
16	67725	Washer 1/2 x 1-1/2 x .134	69	183506	Bearing, Ball
18	87877	Selector Knob	70	183507	Fork, Shift
26	175262	Pan Head Tapping Screw #10-24 x 2-3/4	71	183508	Seal, Output Shaft
28	181467	Drive Cover	72	183509	Washer
31	132010	Hex Flange Nut	73	183510	Seal, Case
32	189407	Drive Pulley	74	183511	Bushing
35	152018	Kit, Wheel Adjuster, LH (Includes Knob and Bearing)	75	183512	Shaft, Output
36	180184	Gear Case Assembly, Complete	76	183513	Screw
37	137090	Spring	77	183514	Seal, Input Shaft
38	73800400	Locknut 1/4-20			
41	152019	Kit, Wheel Adjuster, RH (Includes Knob and Bearing)			
54	190496	Grassbag Assembly			

* Use Dow Corning #709 to reseat Gear Case Halves.

NOTE: All component dimensions given in U.S. inches.
1 inch = 25.4 mm