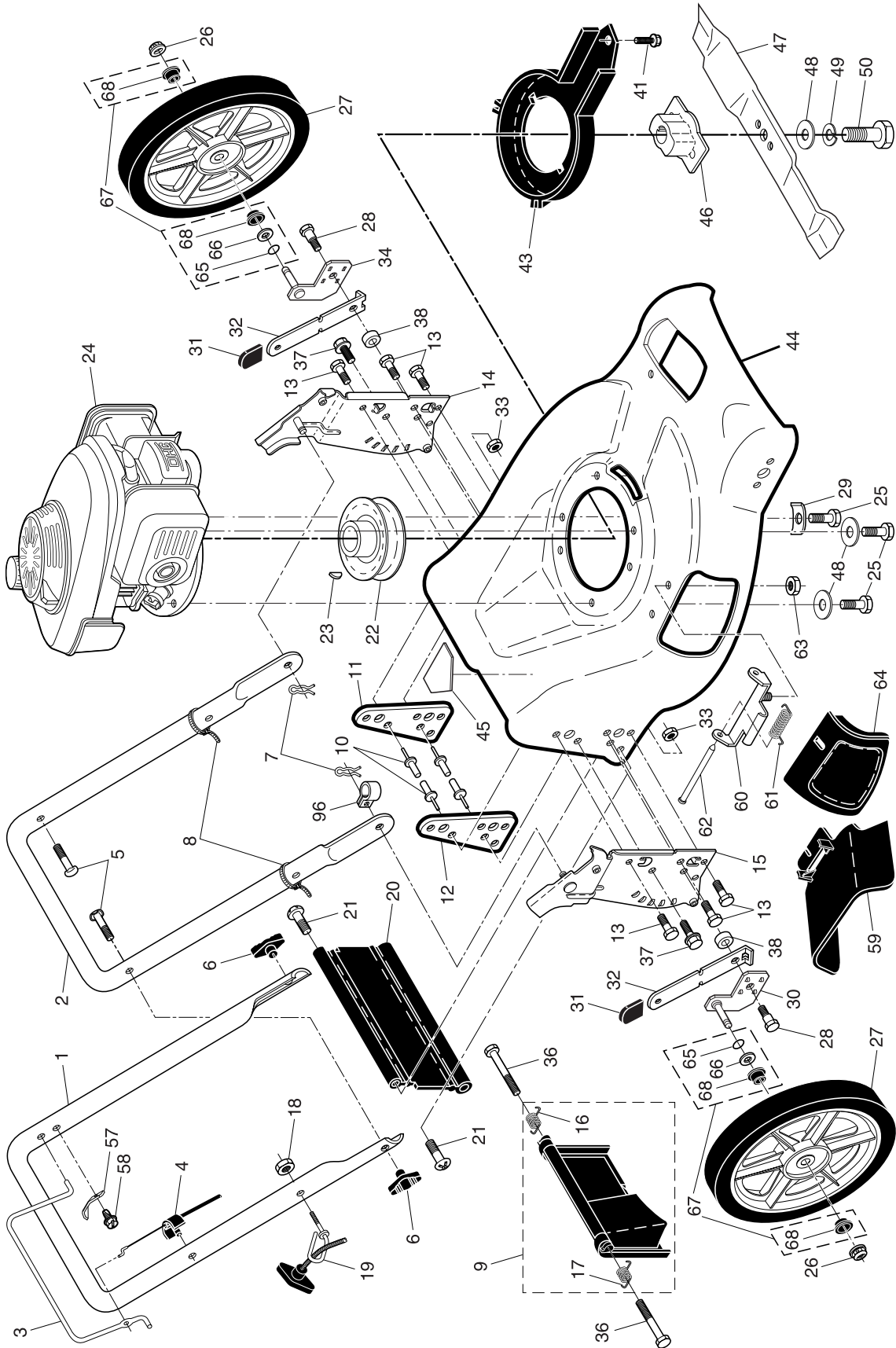


**ROTARY LAWN MOWER -- CATALOG NUMBER PR65Y21RHP (MFG. ID. NUMBER 96142001301)**



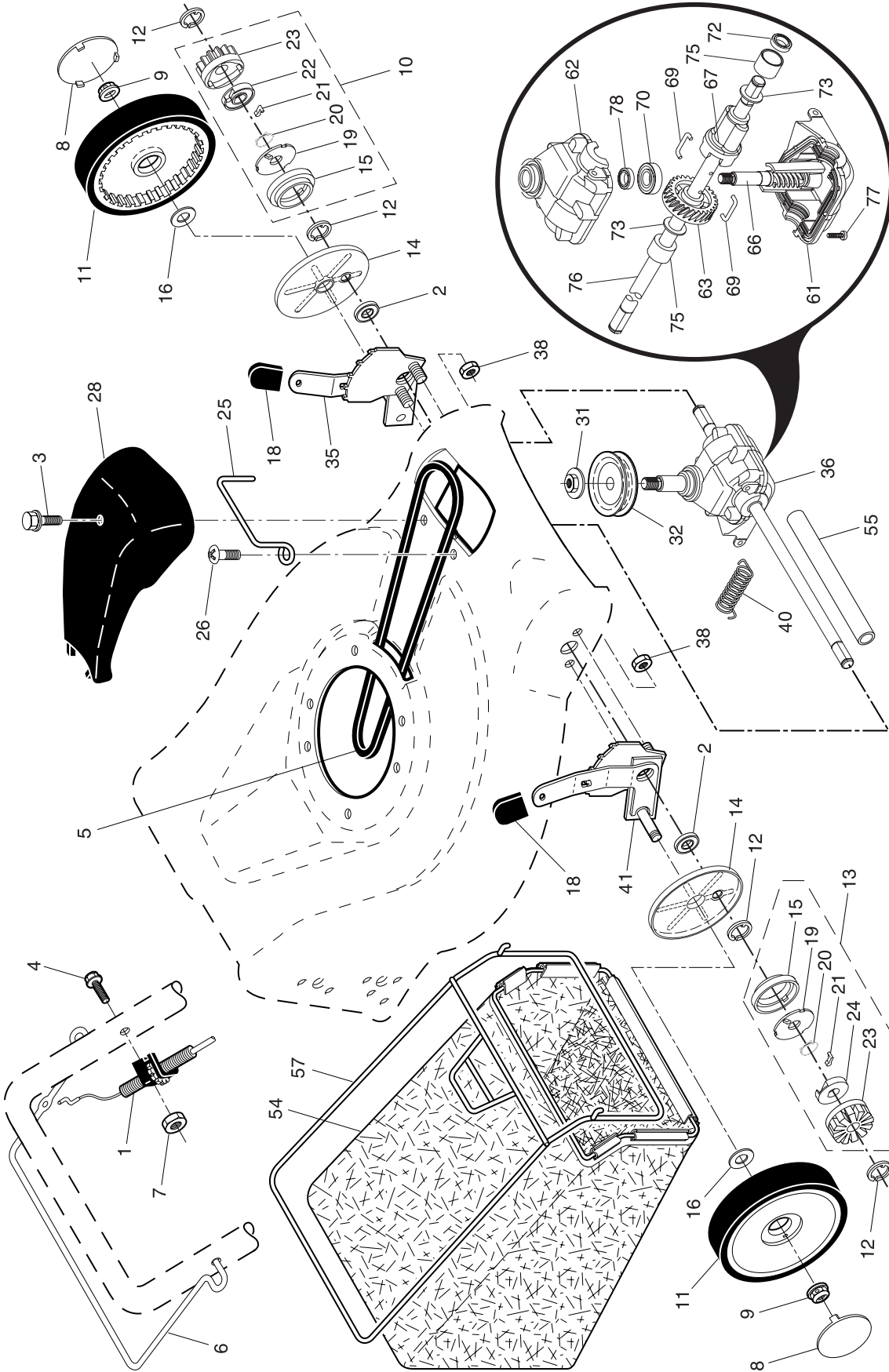
**ROTARY LAWN MOWER - - CATALOG NUMBER PR65Y21RHP (MFG. ID. NUMBER 96142001301)**

KEY NO.	PART NO.	DESCRIPTION	KEY NO.	PART NO.	DESCRIPTION
1	185508X479	Upper Handle	33	73800500	Nut, Hex, Nylock 5/16-18
2	151721X479	Lower Handle	34	180412X004	Axle Arm Assembly, Rear, LH
3	182810X428	Control Bar	36	184193	Bolt, Rear Door
4	183567	Engine Zone Control Cable	37	150078	Thread Cutting Screw w/Sems 5/16-18 x 3/4
5	191574	Handle Bolt	38	19112206	Washer, Flat .34 x 1.38
6	189713X428	Handle Knob	41	188040	Screw, Debris Shield
7	51793	Hairpin Cotter	43	187038	Debris Shield
8	66426	Wire Tie	44	176710	Kit, Housing (Includes Key Numbers 10, 11, 12 and 45)
9	180479	Kit, Rear Door (Includes Key Numbers 16 and 17)	45	107339X	Danger Decal
10	128415	Pop Rivet	46	184590	Blade Adapter
11	175069X479	Support Bracket, LH	47	189028	Blade, 21"
12	175070X479	Support Bracket, RH	48	851074	Hardened Washer
13	17060410	Screw 1/4-20 x 5/8	49	850263	Helical Washer 3/8
14	175576X428	Handle Bracket Assembly, LH	50	851084	Blade Bolt, Hex Head, Grade 8
15	175577X428	Handle Bracket Assembly, RH	57	850733X004	Bracket, Upstop
16	180071	Spring, Rear Door, LH	58	750634	Screw
17	180072	Spring, Rear Door, RH	59	175071	Discharge Deflector
18	132004	Keys Locknut 1/4-20	60	175735	Hinge Bracket
19	179585	Rope Guide	61	175285	Spring
20	189005	Rear Skirt	62	175650	Rod, Hinge
21	88652	Hinge Screw 1/4-20 x 1-1/4	63	73800400	Nut, Hex
22	185005	Pulley, Engine	64	175066	Mulcher Door
23	187723	Key, Hi-Pro	65	188152	O-Ring
24	- - -	Engine, Honda, Model Number GCV190 (For engine service and replacement parts, call Honda Engines at 1-800-426-7701)	66	88348	Washer, Flat 1/2
25	150406	Screw, Hex Head, Threaded, Rolled 3/8-16 x 2	67	193498	Kit, Bushing, High Wheel
26	83923	Nut, Hex, Flangelock 3/8-16	68	193028X428	Bushing, Nylon, Black
27	195630	Wheel & Tire Assembly, Rear, 14"	96	192770	Clip, Cable
28	160828	Bolt, Shoulder 5/16-18	- -	162300	Warning Decal (not shown)
29	851201X004	Washer, Engine, Zinc Plated	- -	193733	Operator's Manual, English
30	180411X004	Axle Arm Assembly, Rear, RH	- -	193736	Operator's Manual, French
31	175478	Selector Knob	- -	195721	Repair Parts Manual, English / French
32	175053X004	Selector Spring			

**NOTE:** All component dimensions given in U.S. inches.  
1 inch = 25.4 mm

**IMPORTANT:** Use only Original Equipment Manufacturer (O.E.M.) replacement parts. Failure to do so could be hazardous, damage your lawn mower and void your warranty.

**ROTARY LAWN MOWER -- CATALOG NUMBER PR65Y21RHP (MFG. ID. NUMBER 96142001301)**



**ROTARY LAWN MOWER - - CATALOG NUMBER PR65Y21RHP (MFG. ID. NUMBER 96142001301)**

KEY NO.	PART NO.	DESCRIPTION	KEY NO.	PART NO.	DESCRIPTION
1	189182	Drive Control Assembly, Complete	35	180915	Kit, Wheel Adjuster, LH (Includes Knob and Bearing)
2	169911	Bearing, Wheel Adjuster	36	187212	Gear Case Assembly, Complete
3	175262	Pan Head Tapping Screw #10-24 x 2-3/4	38	73800400	Locknut 1/4-20
4	185681	Screw	40	182226	Spring
5	169778	V-Belt	41	180914	Kit, Wheel Adjuster, RH (Includes Knob and Bearing)
6	188952X428	Bar, Drive Control	54	194697	Grassbag Assembly
7	751152	Nut, Hex	55	175739	Driveshaft Cover
8	77400	Hubcap	57	188815	Frame, Grassbag
9	145212	Locknut	61	187525	* Case, Lower
10	188331	Pinion Assembly, LH	62	187526	* Case, Upper
11	194854	Wheel & Tire Assembly, Front	63	183499	Gear, 27 Teeth
12	12000058	E-Ring	66	187527	Shaft, Input
13	188330	Pinion Assembly, RH	67	187528	Spacer
14	189403	Dust Cover	69	183505	Wire, Formed
15	184172	Seal, Friction	70	183506	Bearing, Ball
16	67725	Washer 1/2 x 1-1/2 x .134	72	183508	Seal, Output Shaft
18	170143	Selector Knob	73	183509	Washer
19	175104	Disc, Drive	75	183511	Bushing
20	188291	Spring, Torsion	76	187529	Shaft, Output
21	175098	Pawl	77	183513	Screw
22	175105	Retainer, Drive, LH	78	183514	Seal, Input Shaft
23	175103	Pinion, Gear			
24	175102	Retainer, Drive, RH			
25	188102	Keeper, Belt			
26	173715	Screw			
28	180329	Drive Cover			
31	132010	Hex Flange Nut			
32	189406	Drive Pulley			

\* Use Dow Corning #709 to reseat Gear Case Halves.

**NOTE:** All component dimensions given in U.S. inches.  
1 inch = 25.4 mm

**IMPORTANT:** Use only Original Equipment Manufacturer (O.E.M.) replacement parts. Failure to do so could be hazardous, damage your lawn mower and void your warranty.